



US00D776026S

(12) **United States Design Patent** (10) **Patent No.:** **US D776,026 S**
Ellis (45) **Date of Patent:** **** *Jan. 10, 2017**

(54) **AERODYNAMIC SKIRT**

(71) Applicant: **Gary C. Ellis**, Chatham (CA)

(72) Inventor: **Gary C. Ellis**, Chatham (CA)

(*) Notice: This patent is subject to a terminal disclaimer.

(**) Term: **14 Years**

(21) Appl. No.: **29/493,672**

(22) Filed: **Jul. 16, 2014**

(51) **LOC (10) Cl.** **12-08**

(52) **U.S. Cl.**
USPC **D12/181**

(58) **Field of Classification Search**
USPC D12/181, 191, 196, 400, 190, 88
CPC B60R 13/20; B60R 13/04
See application file for complete search history.

(56) **References Cited**

U.S. PATENT DOCUMENTS

D488,111	S	*	4/2004	Elwell	D12/163
D609,149	S	*	2/2010	Larson	D12/181
D631,404	S	*	1/2011	Hodges	D12/163
D649,918	S	*	12/2011	Hodges	D12/163
D662,446	S	*	6/2012	Hodges	D12/163
D682,163	S	*	5/2013	Hodges	D12/163
D743,861	S	*	11/2015	Hodges	D12/181
2007/0120397	A1		5/2007	Layfield et al.		
2009/0230725	A1		9/2009	Juieng		

* cited by examiner

Primary Examiner — Katrina A Betton

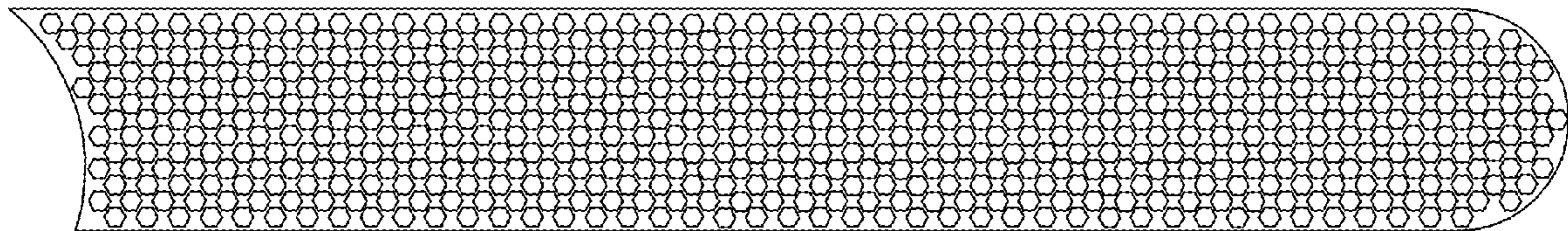
(57) **CLAIM**

The ornamental design for an aerodynamic skirt, as shown and described.

DESCRIPTION

FIG. 1 is a front perspective view of the aerodynamic skirt showing a first embodiment of the design;
 FIG. 2 is a front view of the aerodynamic skirt of the first embodiment;
 FIG. 3 is a first side view of the aerodynamic skirt of the first embodiment;
 FIG. 4 is a rear view of the aerodynamic skirt of the first embodiment;
 FIG. 5 is a second side view of the aerodynamic skirt of the first embodiment;
 FIG. 6 is a first end view of the aerodynamic skirt of the first embodiment;
 FIG. 7 is a second end view of the aerodynamic skirt of the first embodiment;
 FIG. 8 is a front perspective view of the aerodynamic skirt showing a second embodiment of the design;
 FIG. 9 is a front view of the aerodynamic skirt of the second embodiment;
 FIG. 10 is a first side view of the aerodynamic skirt of the second embodiment;
 FIG. 11 is a rear view of the aerodynamic skirt of the second embodiment;
 FIG. 12 is a second side view of the aerodynamic skirt of the second embodiment;
 FIG. 13 is a first end view of the aerodynamic skirt of the second embodiment; and,
 FIG. 14 is a second end view of the aerodynamic skirt of the second embodiment.

1 Claim, 4 Drawing Sheets



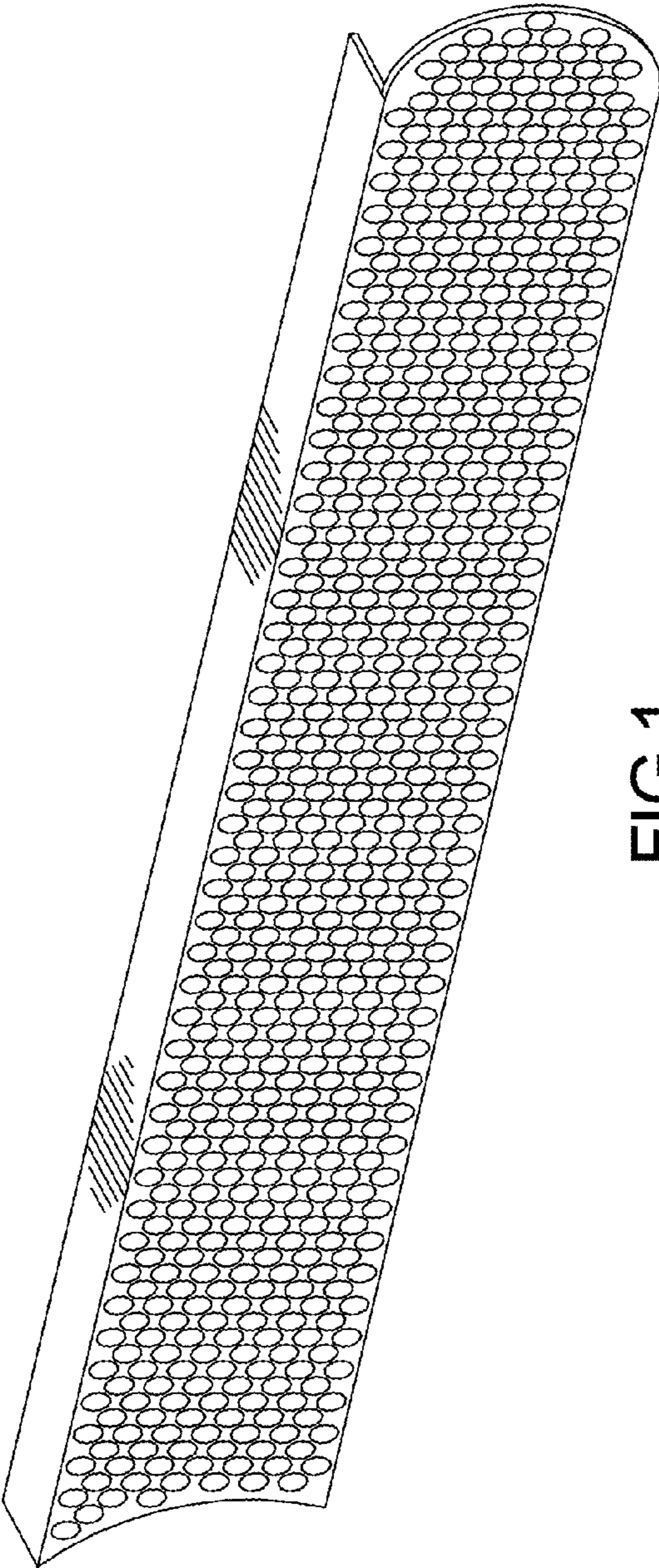


FIG 1

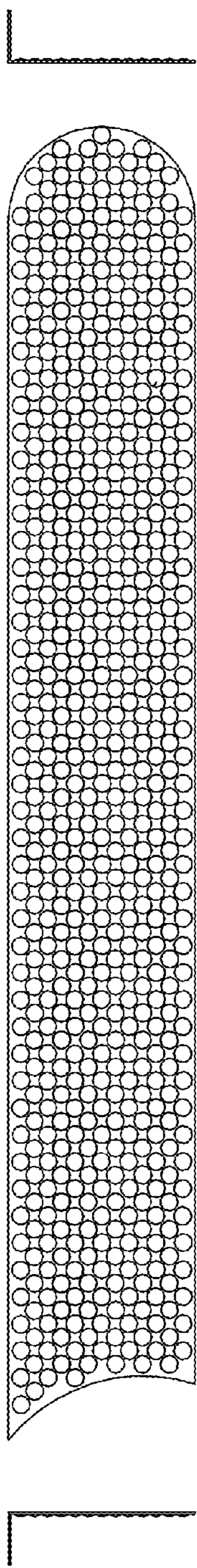


FIG 2

FIG 6

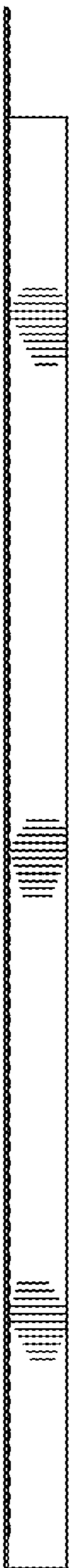


FIG 3

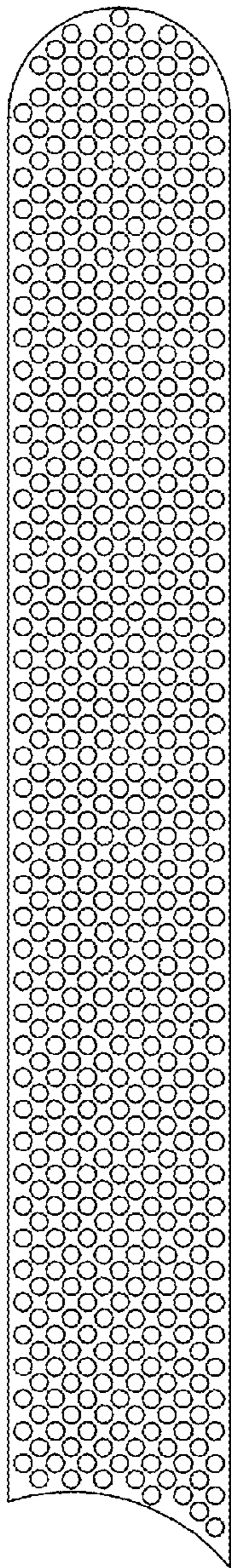


FIG 4

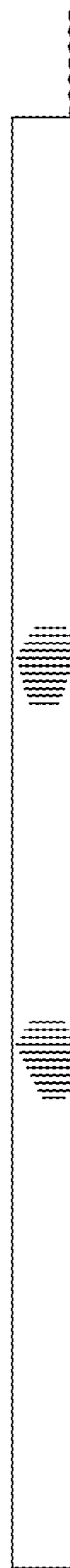


FIG 5

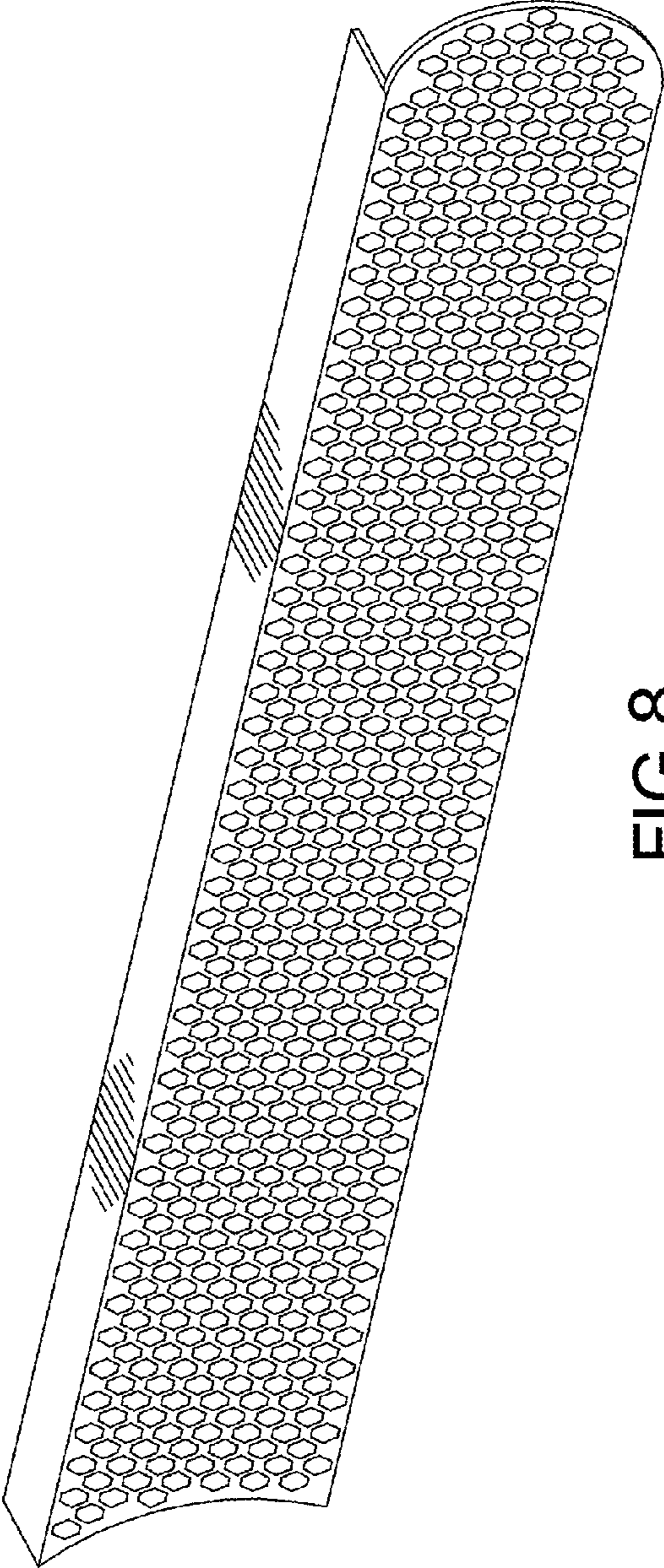


FIG 8

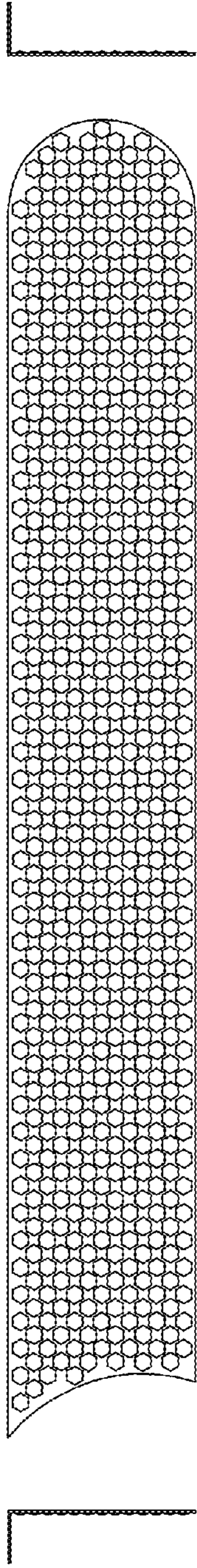


FIG 14

FIG 9

FIG 13



FIG 10

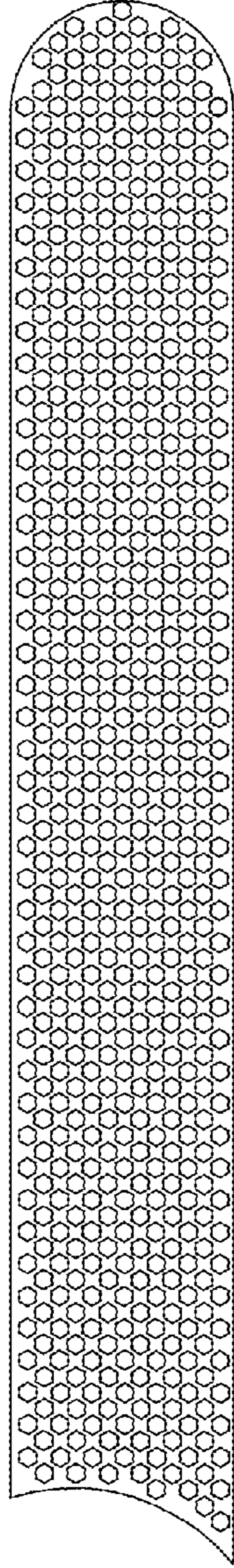


FIG 11



FIG 12