



US00D776024S

(12) **United States Design Patent**
Jordan

(10) **Patent No.:** **US D776,024 S**

(45) **Date of Patent:** **** Jan. 10, 2017**

(54) **GEAR SHIFT KNOB**

(71) Applicant: **Jason Jordan**, Moxee, WA (US)

(72) Inventor: **Jason Jordan**, Moxee, WA (US)

(**) Term: **14 Years**

(21) Appl. No.: **29/517,958**

(22) Filed: **Feb. 18, 2015**

(51) **LOC (10) Cl.** **12-16**

(52) **U.S. Cl.**
USPC **D12/179**

(58) **Field of Classification Search**
USPC D12/174, 179, 415, 419; D14/412, 413,
D14/415, 416; D21/324, 328, 333;
74/473.12, 473.18, 473.23, 473.33, 473.3,
74/483 R, 489, 514, 523; D8/21, 25, 29,
D8/300, 307-308, 310-312, 321; D6/512,
D6/546, 550; D23/200, 238-257,
D23/259-263

CPC F16H 59/00; F16H 59/0204; F16H 59/08;
F16H 59/105; F16H 61/24; F16H
2059/0239; F16H 2061/242; F16H 59/10
See application file for complete search history.

(56) **References Cited**

U.S. PATENT DOCUMENTS

3,865,370	A *	2/1975	Rogers	B25G 1/102 16/DIG. 12
4,226,418	A *	10/1980	Balfour	A63B 49/08 16/DIG. 12
4,697,377	A *	10/1987	Martin	A01K 87/08 43/23
D365,622	S *	12/1995	Edwards	D22/117
5,629,679	A *	5/1997	Cranford	F41H 9/10 200/519
D490,758	S *	6/2004	Watanabe	D12/179
D491,999	S *	6/2004	Scott	D22/142
D496,894	S *	10/2004	Liao	D12/179
D505,368	S *	5/2005	Furuya	D12/179
6,913,159	B1 *	7/2005	Goldberg	B65D 23/106 215/395
D514,040	S *	1/2006	Cheng	D12/179

D580,710	S *	11/2008	Huggins	D7/515
D600,177	S *	9/2009	Komiyama	D12/179
D605,569	S *	12/2009	Yoshida	D12/179
D651,205	S *	12/2011	Soekoro	D14/250
D674,380	S *	1/2013	Soekoro	D14/250
D728,725	S *	5/2015	Anderson	D22/108
D729,787	S *	5/2015	Soekoro	D14/250
D738,569	S *	9/2015	Saide	D22/117
D742,956	S *	11/2015	Klinger	D16/243

(Continued)

OTHER PUBLICATIONS

“Shifter Finger Grip.” Mooneyes., Mar. 25, 2014 [online]. [retrieved on Oct. 30, 2016]. Retrieved from the Internet <URL: <http://www.mooneyesusa.com/Street-and-Show-Aluminum-Shifter-Knob-p/aa745.htm>>.*

(Continued)

Primary Examiner — Darlington Ly
(74) *Attorney, Agent, or Firm* — Quickpatents, LLC;
Kevin Prince

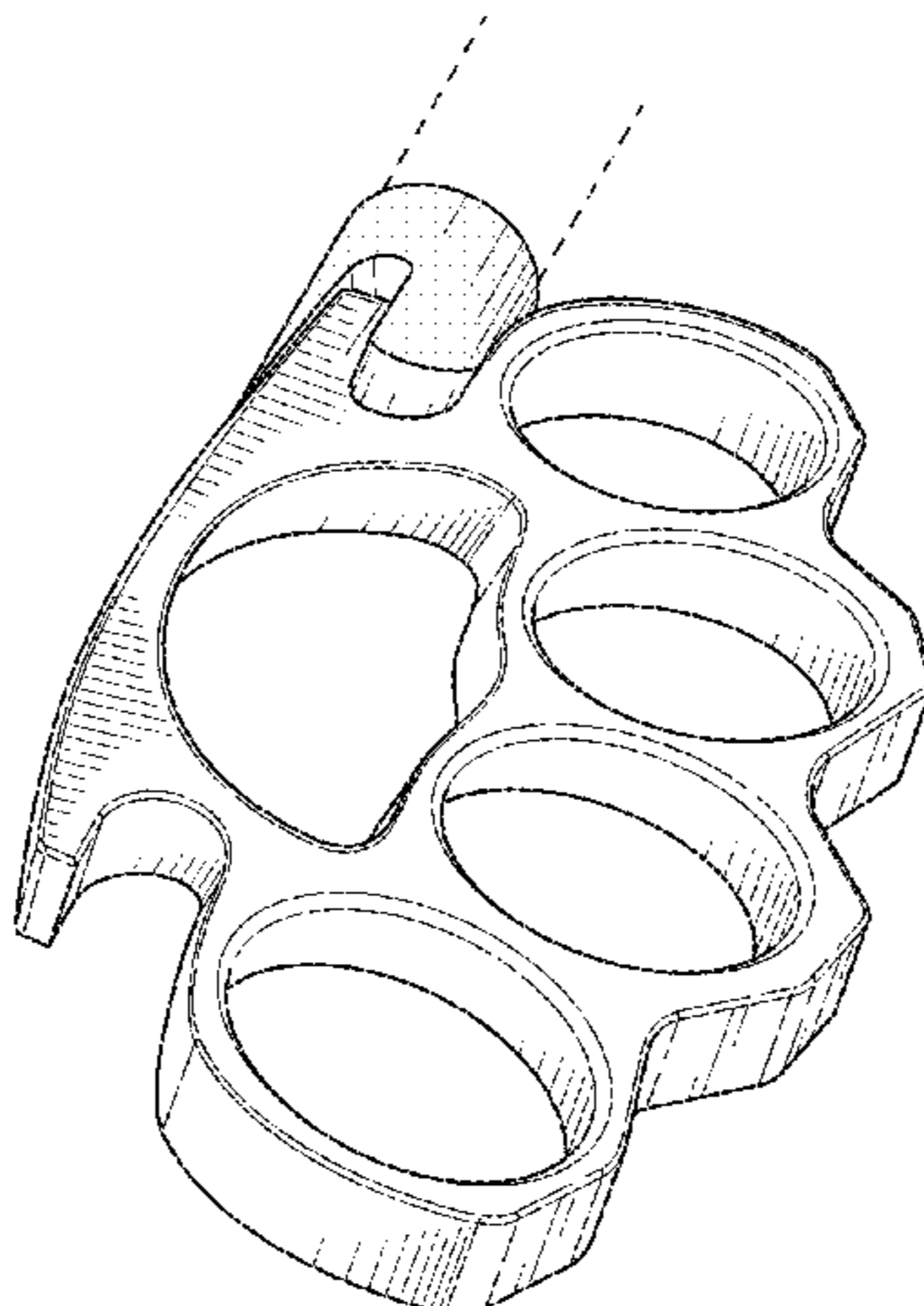
(57) **CLAIM**

I claim the ornamental design for a gear shift knob, as shown and described.

DESCRIPTION

FIG. 1 is a top perspective view of a gear shift knob, showing my new design;
FIG. 2 is a bottom perspective view thereof;
FIG. 3 is a left-side elevational view thereof, the right-side elevational view being a mirror image thereof;
FIG. 4 is a top plan view thereof;
FIG. 5 is a bottom plan view thereof;
FIG. 6 is a front elevational view thereof; and,
FIG. 7 is a rear elevational view thereof.
The broken line showing the gear shifter is provided for the purposes of illustrating environmental structure and forms no part of the claimed design.

1 Claim, 3 Drawing Sheets



(56)

References Cited

U.S. PATENT DOCUMENTS

2015/0121737 A1* 5/2015 Anderson F41C 23/16
42/72

OTHER PUBLICATIONS

“Black Knuckle 13/15/18 Gearshift Knob.” Raneys Truck Parts., Mar. 22, 2012 [online], [retrieved on Oct. 30, 2016]. Retrieved from the Internet <URL: <http://www.raneystruckparts.com/shift-knobs/>>.*

“Who’s Got The Coolest Shift Knob?” Jalopy Journal., Apr. 8, 2010 [online], [retrieved on Oct. 30, 2016]. Retrieved from the Internet <URL: <http://www.jalopyjournal.com/forum/threads/whos-got-the-coolest-shift-knob.461148/page-2>>.*

“Brass Knuckle Kicker Pedals.” Fab Kevin., Sep. 6, 2005 [online], [retrieved on Oct. 30, 2016]. Retrieved from the Internet <URL: <http://www.fabkevin.com/shop/transmission-group/brass-knuckle-kicker-pedals/>>.*

* cited by examiner

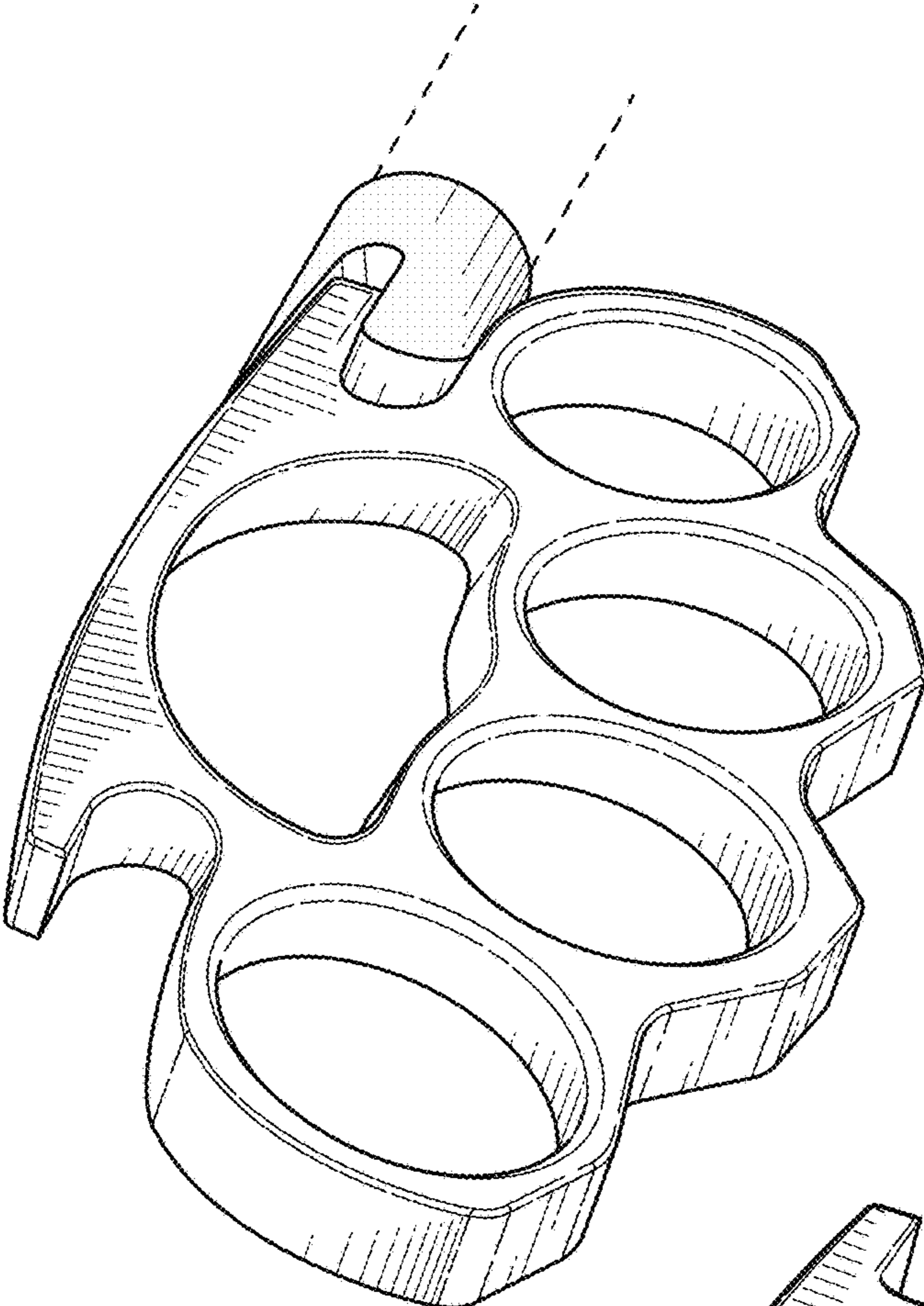


FIG. 1

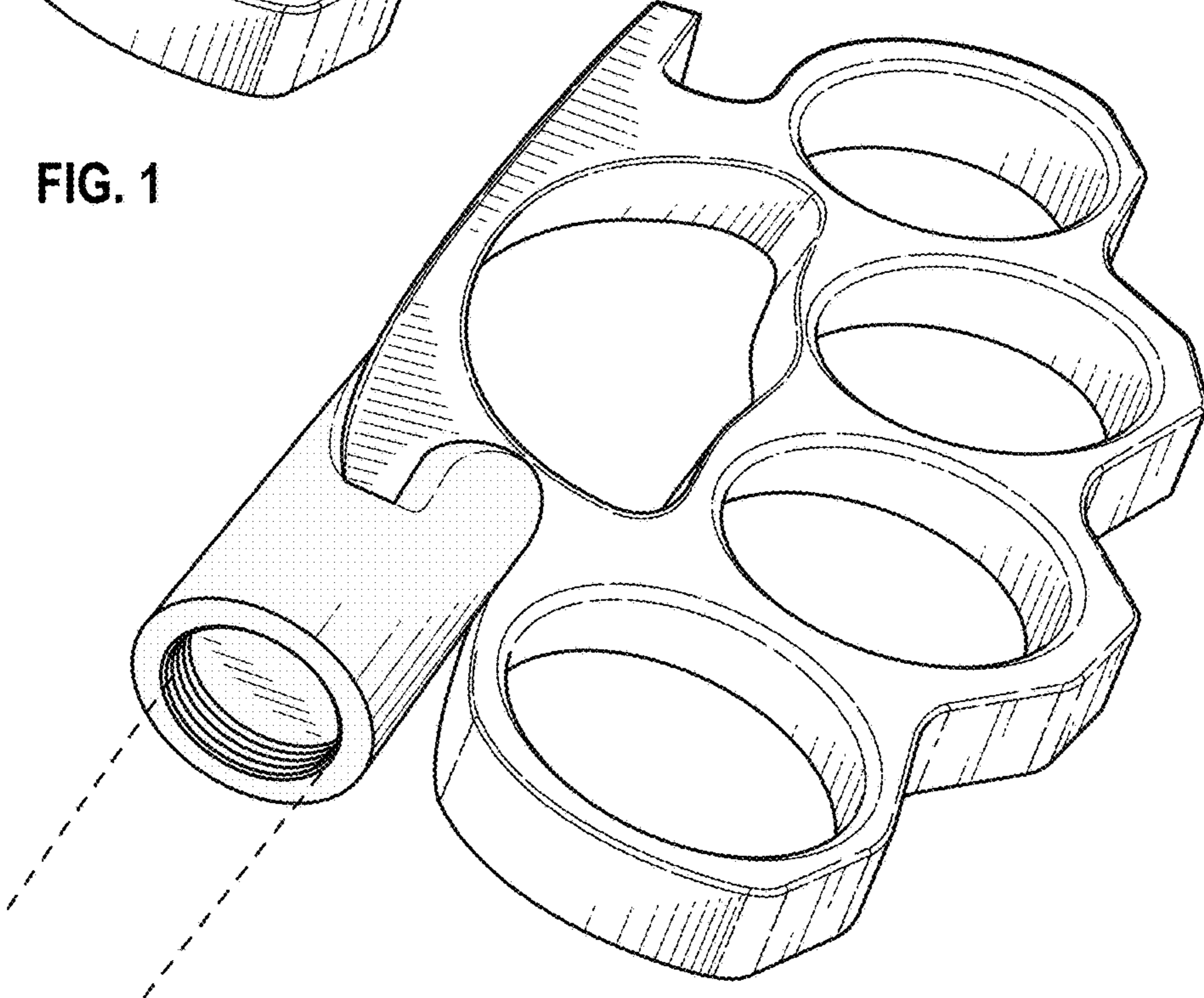


FIG. 2

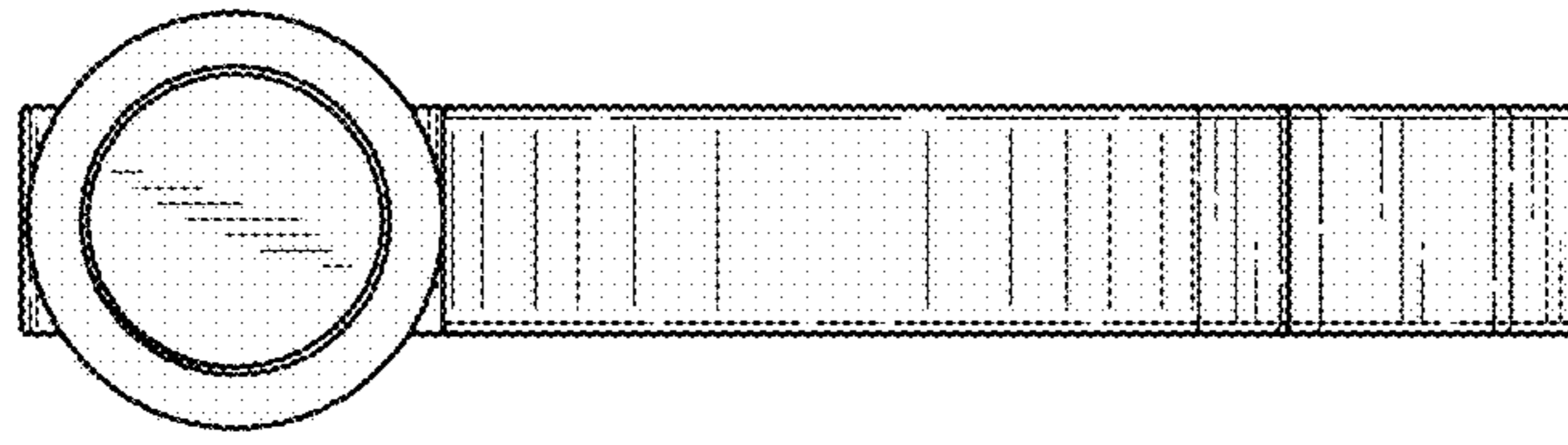


FIG. 5

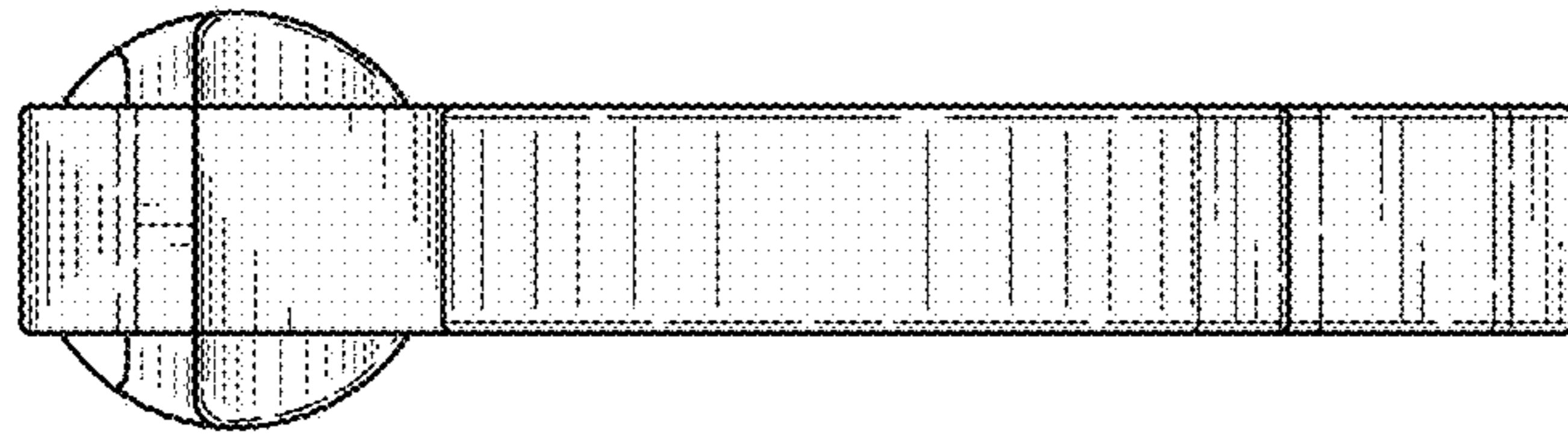


FIG. 4

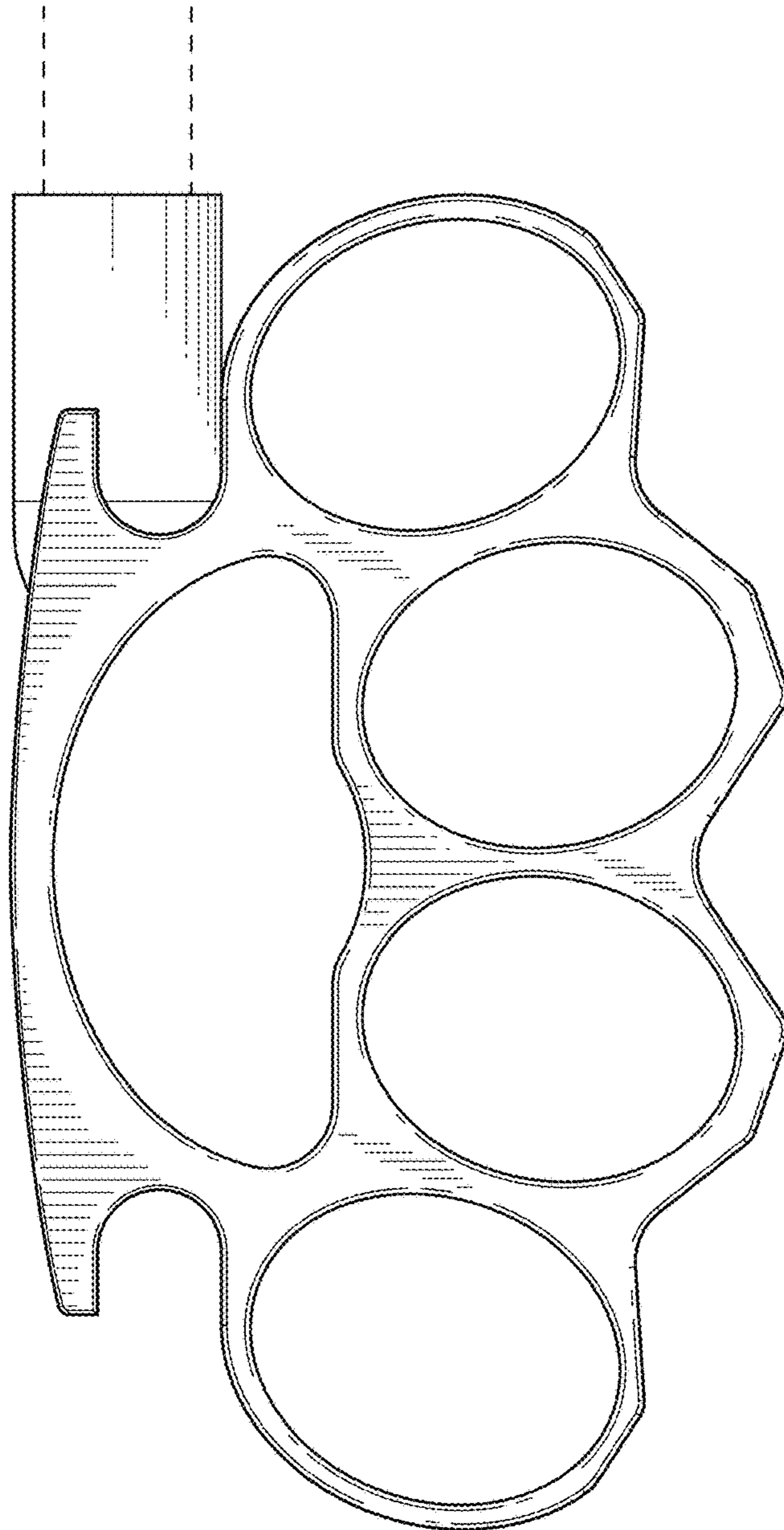


FIG. 3

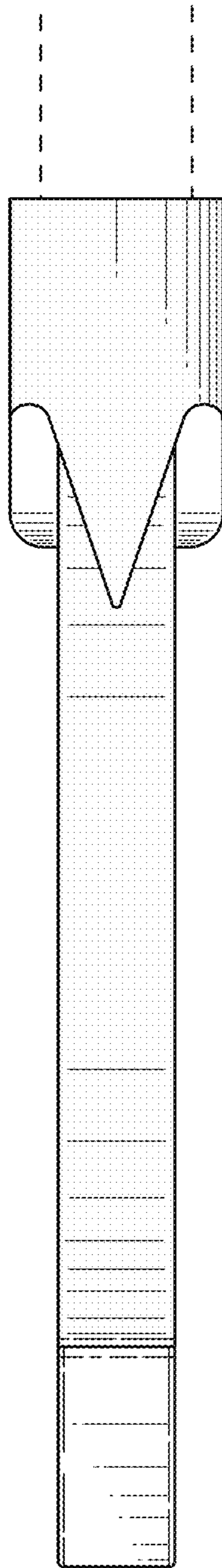


FIG. 6

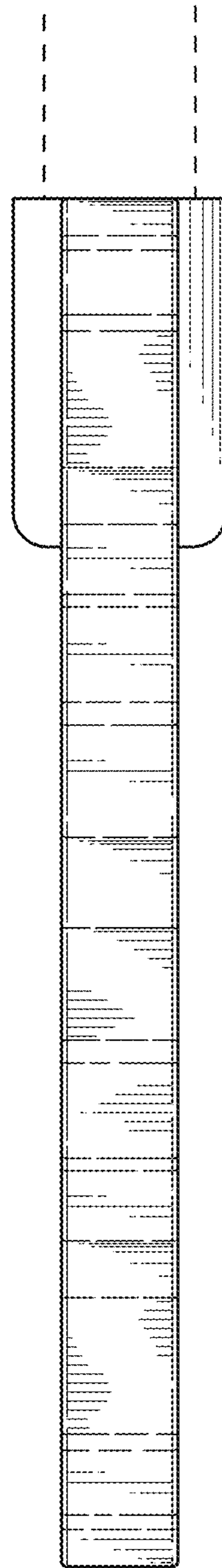


FIG. 7