



US00D776023S

(12) **United States Design Patent** (10) **Patent No.:** **US D776,023 S**
Allison (45) **Date of Patent:** **** Jan. 10, 2017**

(54) **STEERING WHEEL FOR CAR AND/OR TOY**

(71) Applicant: **Ferrari S.p.A.**, Modena (IT)

(72) Inventor: **James Shakespeare Allison**, Maranello (IT)

(73) Assignee: **Ferrari S.p.A.**, Modena (IT)

(**) Term: **15 Years**

(21) Appl. No.: **29/534,395**

(22) Filed: **Jul. 28, 2015**

(30) **Foreign Application Priority Data**

Jan. 29, 2015 (EM) 002623256
Jan. 29, 2015 (EM) 002623272

(51) **LOC (10) Cl.** **12-16**

(52) **U.S. Cl.**
USPC **D12/175**

(58) **Field of Classification Search**
USPC D12/175, 176, 177; D14/401, 414;
D21/333, 385, 477, 566; 74/552, 558;
340/475, 476, 477; 434/69, 70; 701/62
CPC B60Q 1/1461; B60K 37/06; G05G 1/10;
B60R 16/037; B62D 1/16; B62D 1/04
See application file for complete search history.

(56) **References Cited**

U.S. PATENT DOCUMENTS

D297,028 S * 8/1988 McCann D12/175
D406,804 S * 3/1999 Sacco D12/175
D433,077 S * 10/2000 Yamazaki D21/385
D548,653 S * 8/2007 Costa D12/176
D568,421 S * 5/2008 Sonoda D21/566
D572,711 S * 7/2008 Li D14/401
D573,198 S * 7/2008 Bramfitt D14/400
D578,940 S * 10/2008 Tsay D12/175

D592,114 S * 5/2009 Tombazis D12/176
D627,831 S * 11/2010 Tombazis D21/333
D631,476 S * 1/2011 Piedra D14/401
D631,922 S * 2/2011 Kang D21/453
D633,853 S * 3/2011 Aruga D12/345
D653,292 S * 1/2012 Kotkin D14/401
D656,996 S * 4/2012 Mikhailov D14/401
D679,228 S * 4/2013 Balko D12/175
D685,434 S * 7/2013 Ali D14/401
D695,839 S * 12/2013 Lin D14/401
D708,675 S * 7/2014 Delrue D21/333
9,073,509 B2 * 7/2015 Pohanka B60R 21/21658
D740,885 S * 10/2015 Nokuo D14/401
D744,596 S * 12/2015 Young D14/401
D750,082 S * 2/2016 Mar D14/401
2005/0121889 A1 * 6/2005 Enders B60R 21/203
280/731

(Continued)

Primary Examiner — Rosemary K Tarcza

Assistant Examiner — Yolanda Robinson

(74) *Attorney, Agent, or Firm* — Cowan, Liebowitz & Latman, P.C.

(57) **CLAIM**

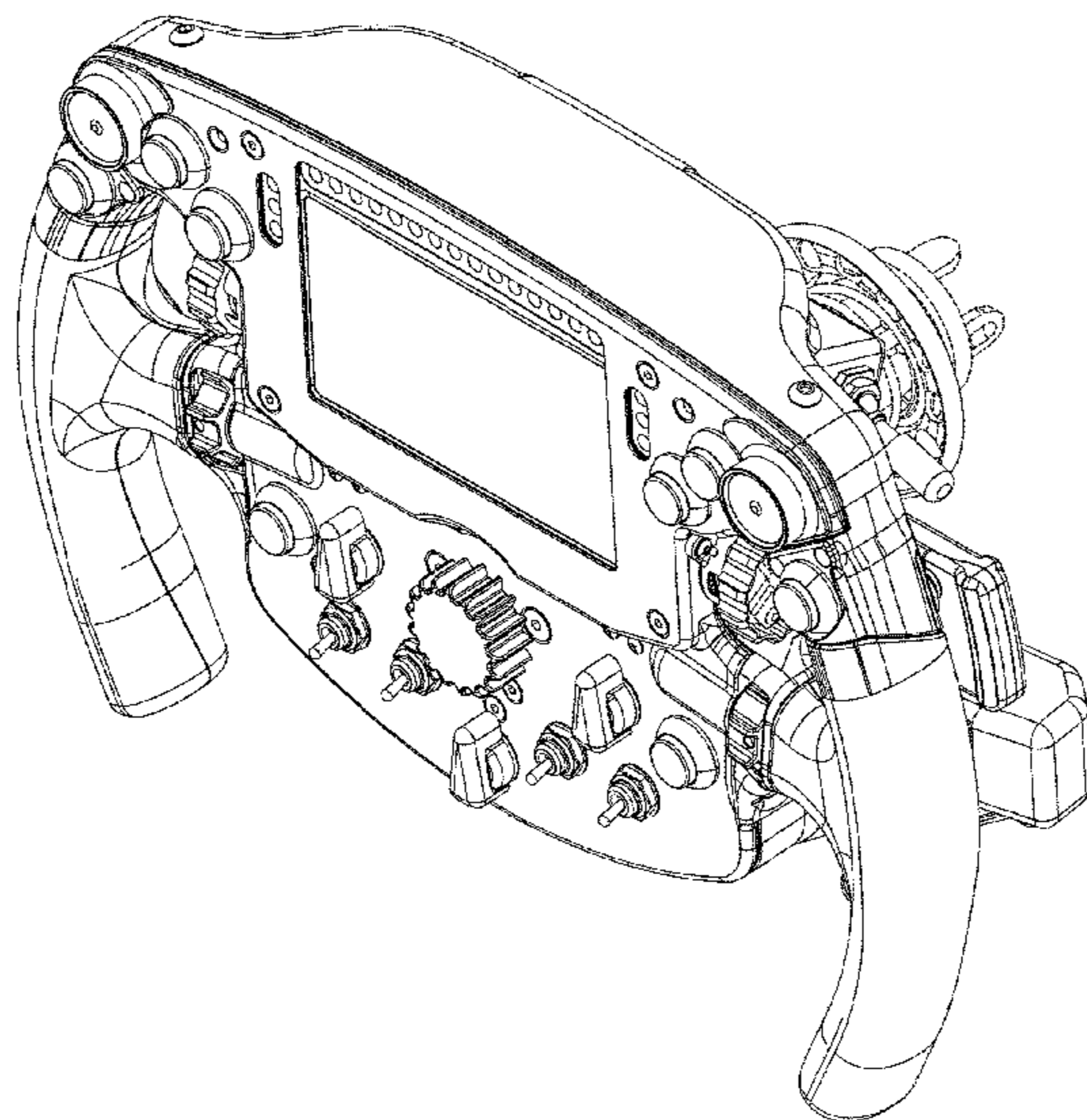
The ornamental design for a steering wheel for car and/or toy, as shown and described.

DESCRIPTION

FIG. 1 is a front perspective view of the steering wheel for car and/or toy showing my design thereof;
FIG. 2 is a front view thereof;
FIG. 3 is a rear view thereof;
FIG. 4 is a right side lateral view thereof;
FIG. 5 is a left side lateral view thereof;
FIG. 6 is a top plan view thereof; and,
FIG. 7 is a bottom view thereof.

The broken lines in the drawings illustrate portions of the steering wheel for car and/or toy and form no part of the claimed design.

1 Claim, 7 Drawing Sheets



(56)

References Cited

U.S. PATENT DOCUMENTS

2006/0258452 A1* 11/2006 Hsu A63F 13/06
463/36
2010/0229674 A1* 9/2010 Tanaka B60R 21/203
74/558
2015/0061264 A1* 3/2015 Pohanka B60R 21/21658
280/728.2

* cited by examiner

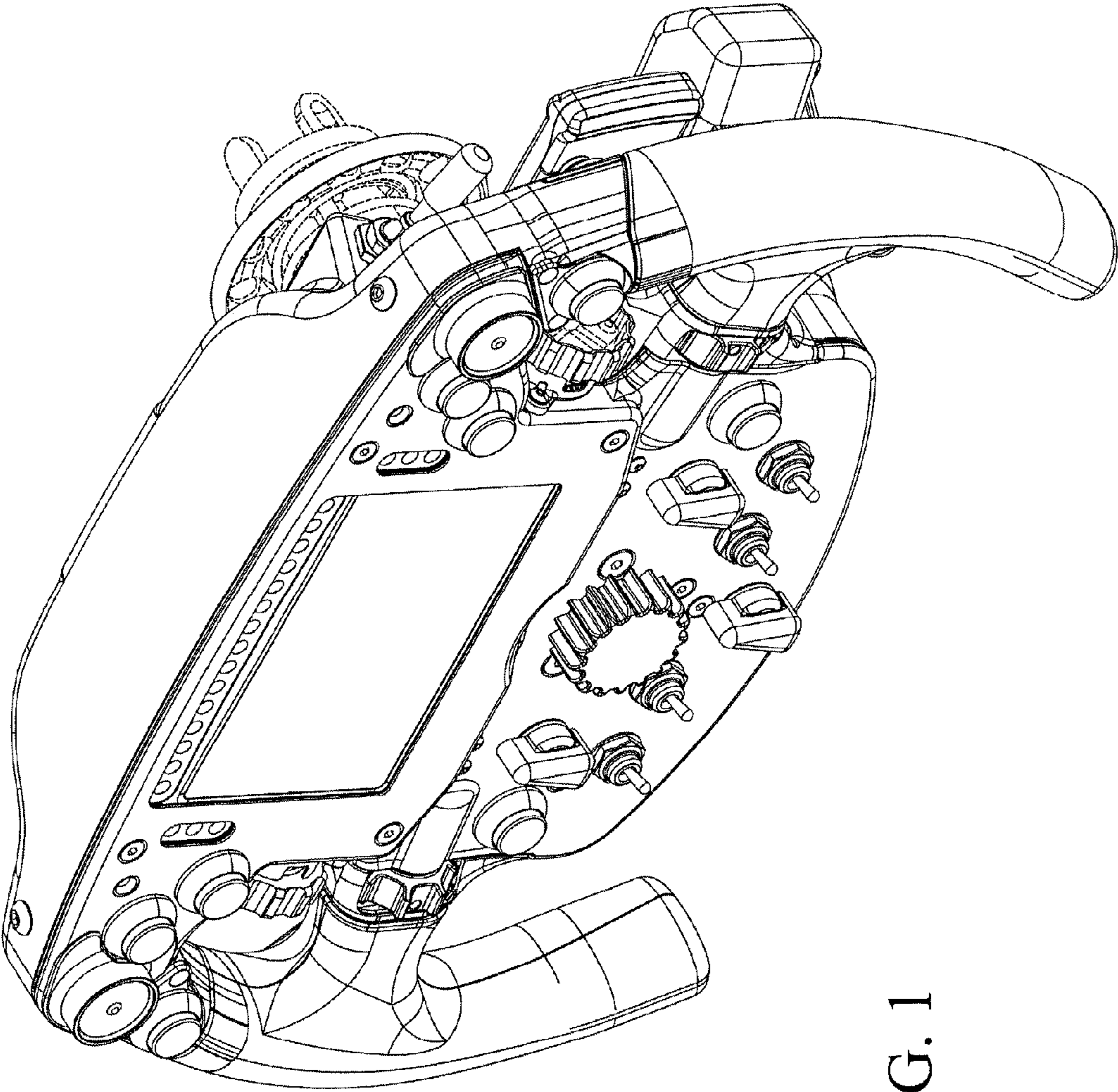
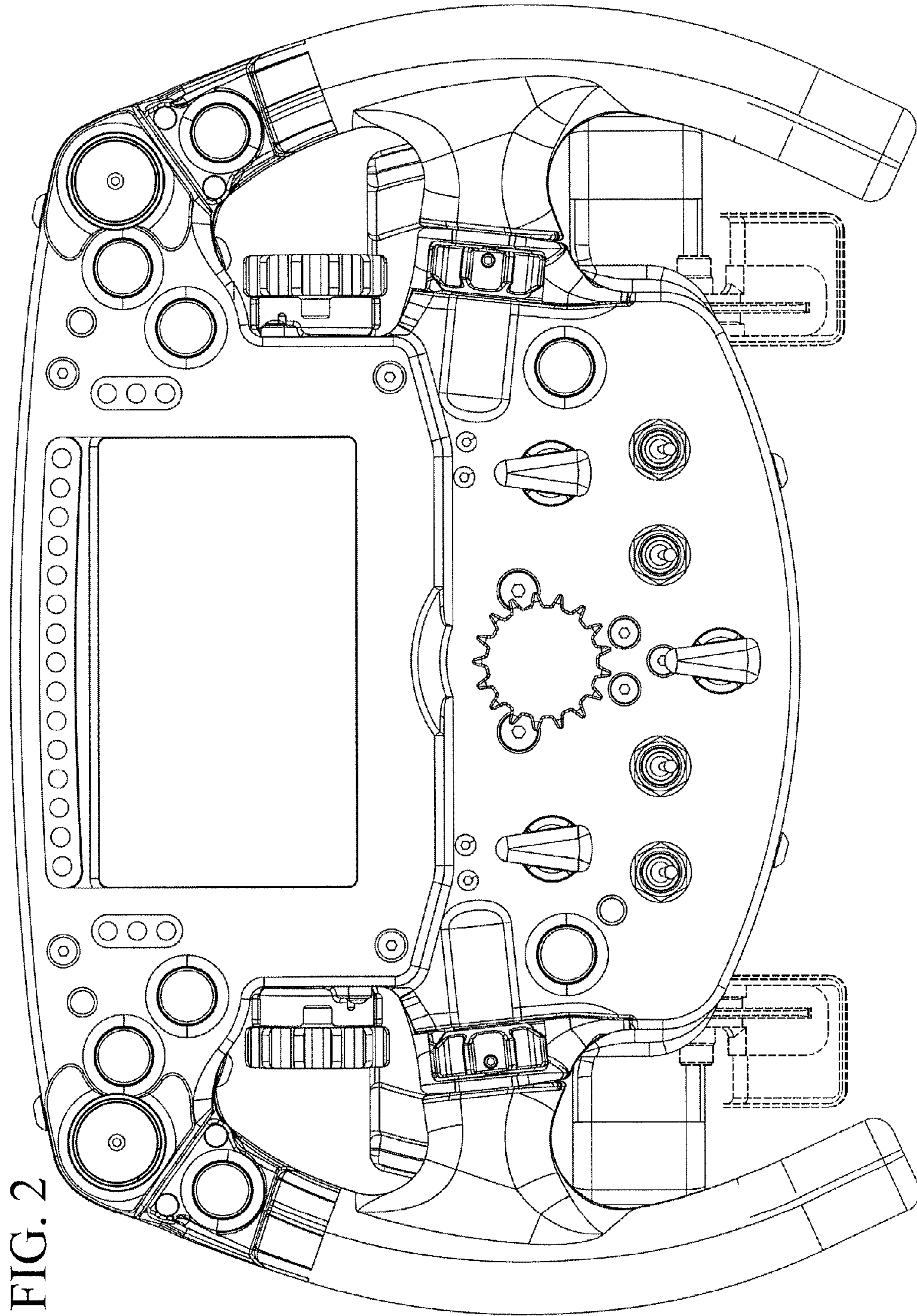


FIG. 1



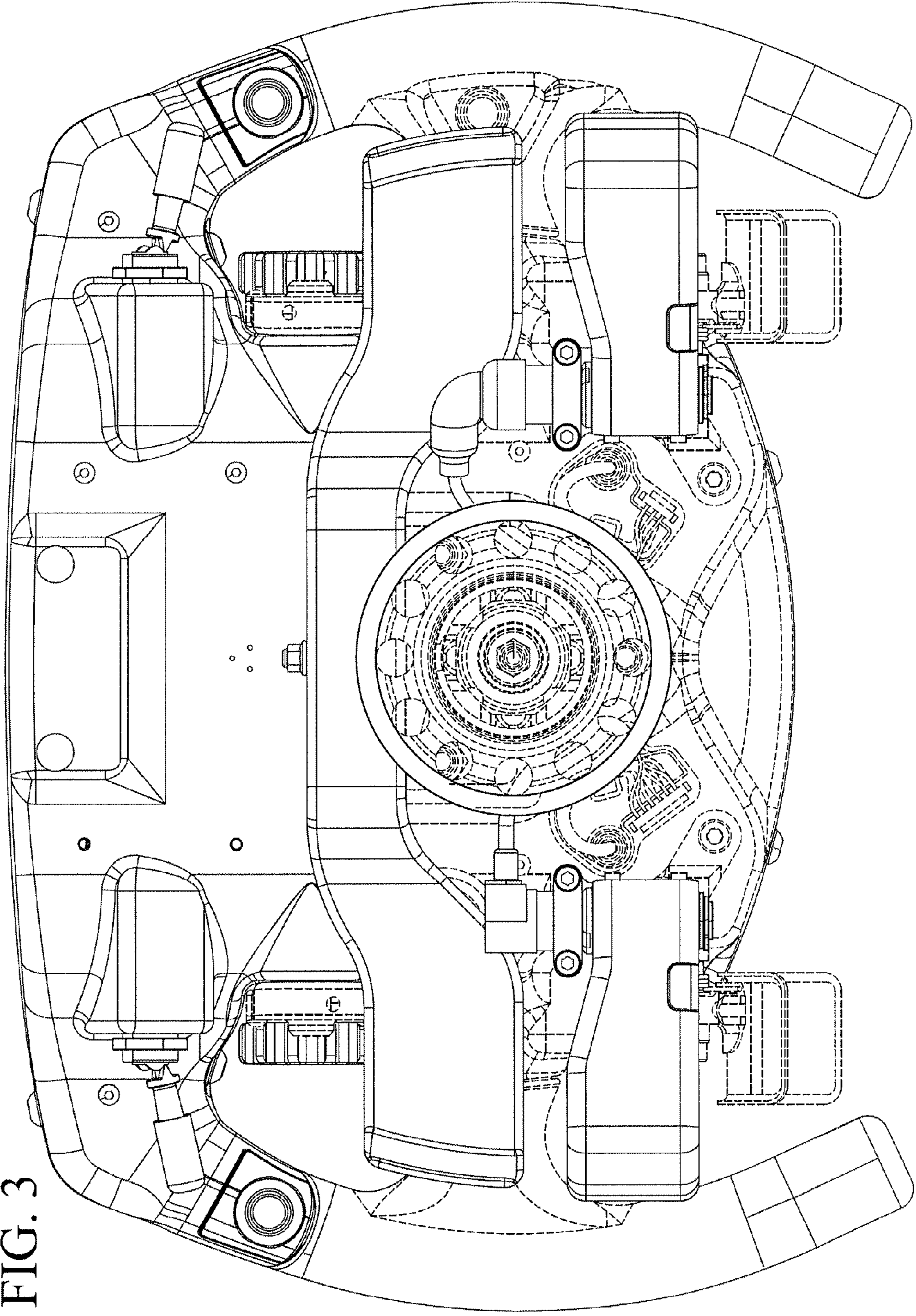
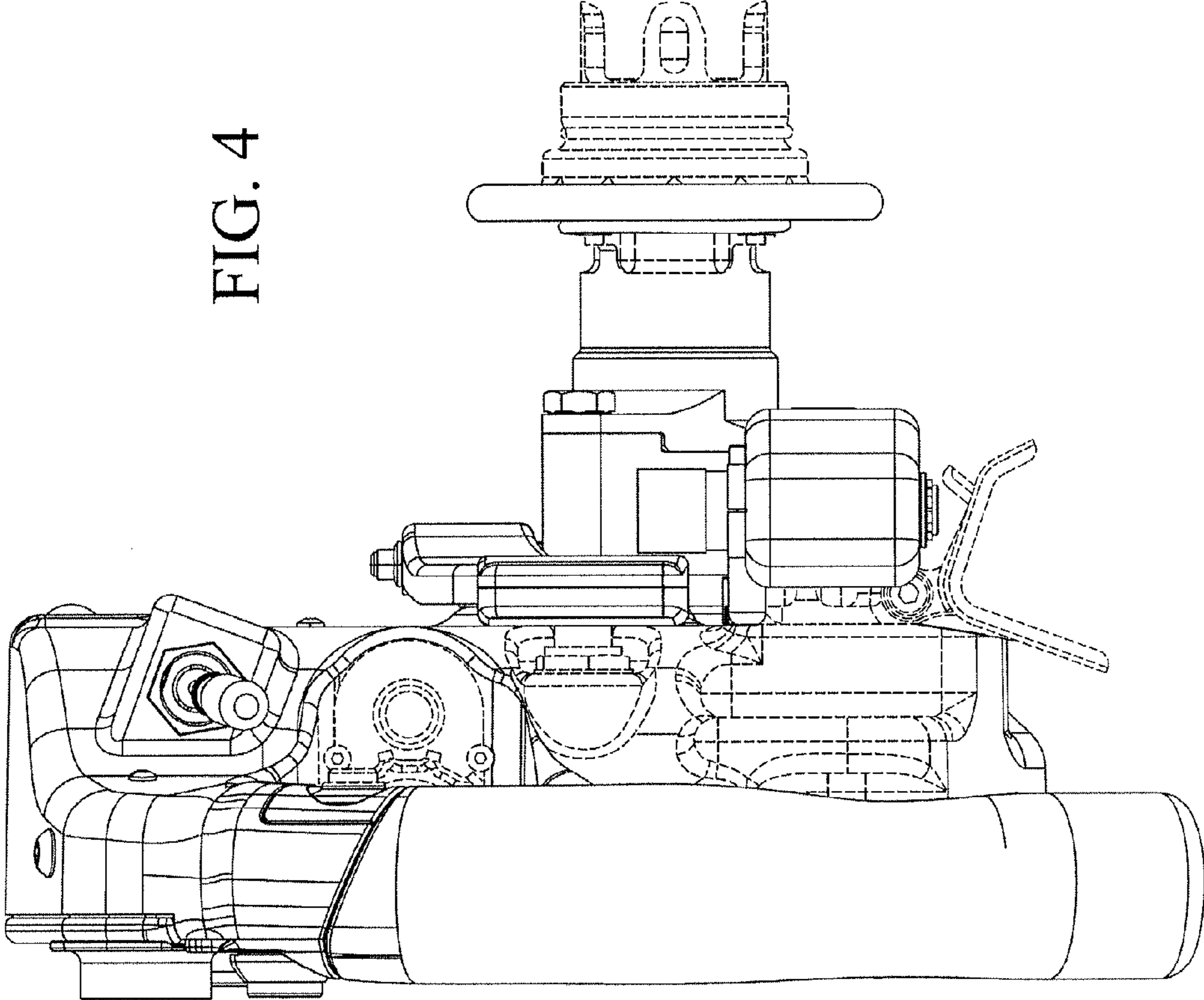


FIG. 3

FIG. 4



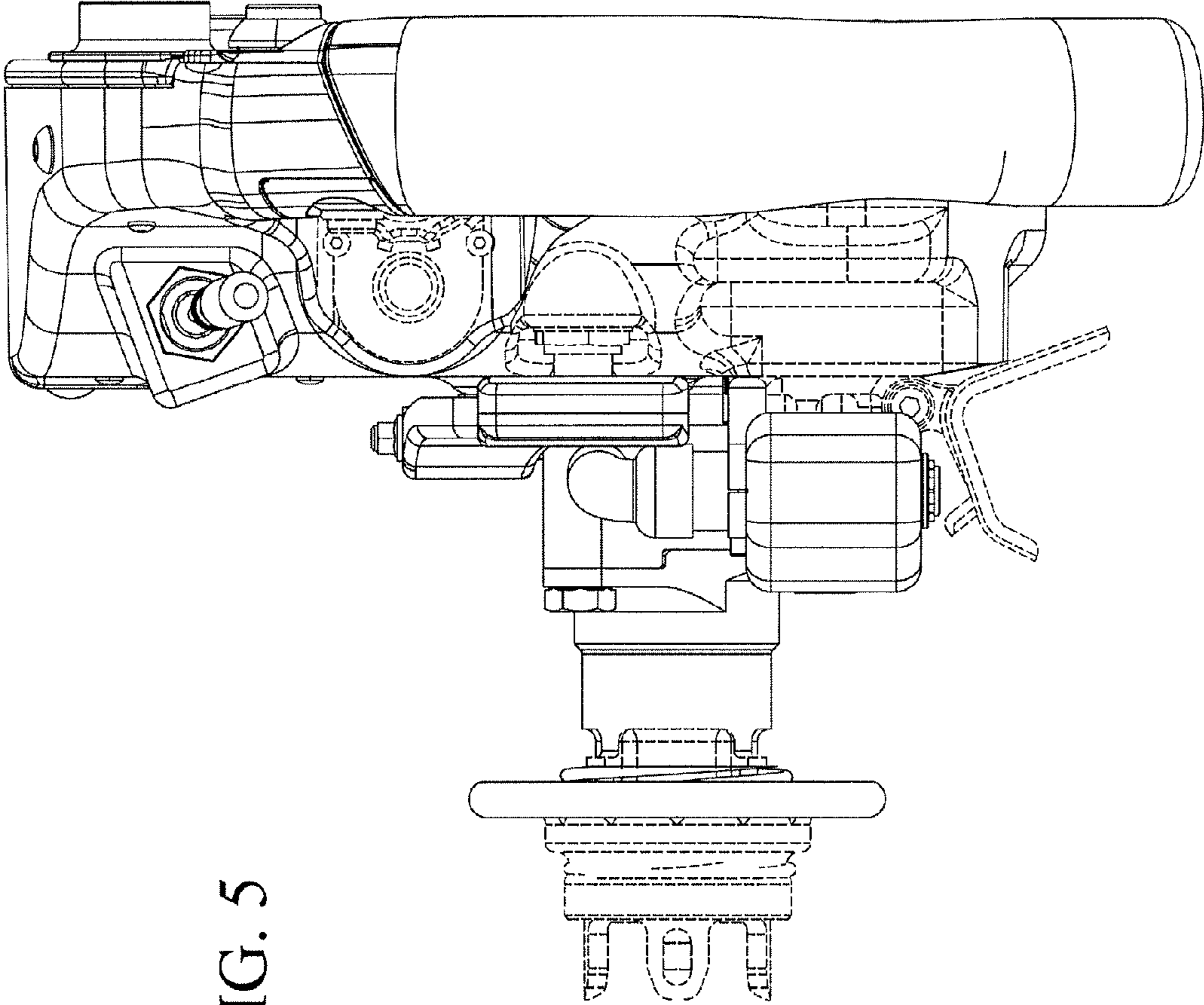


FIG. 5

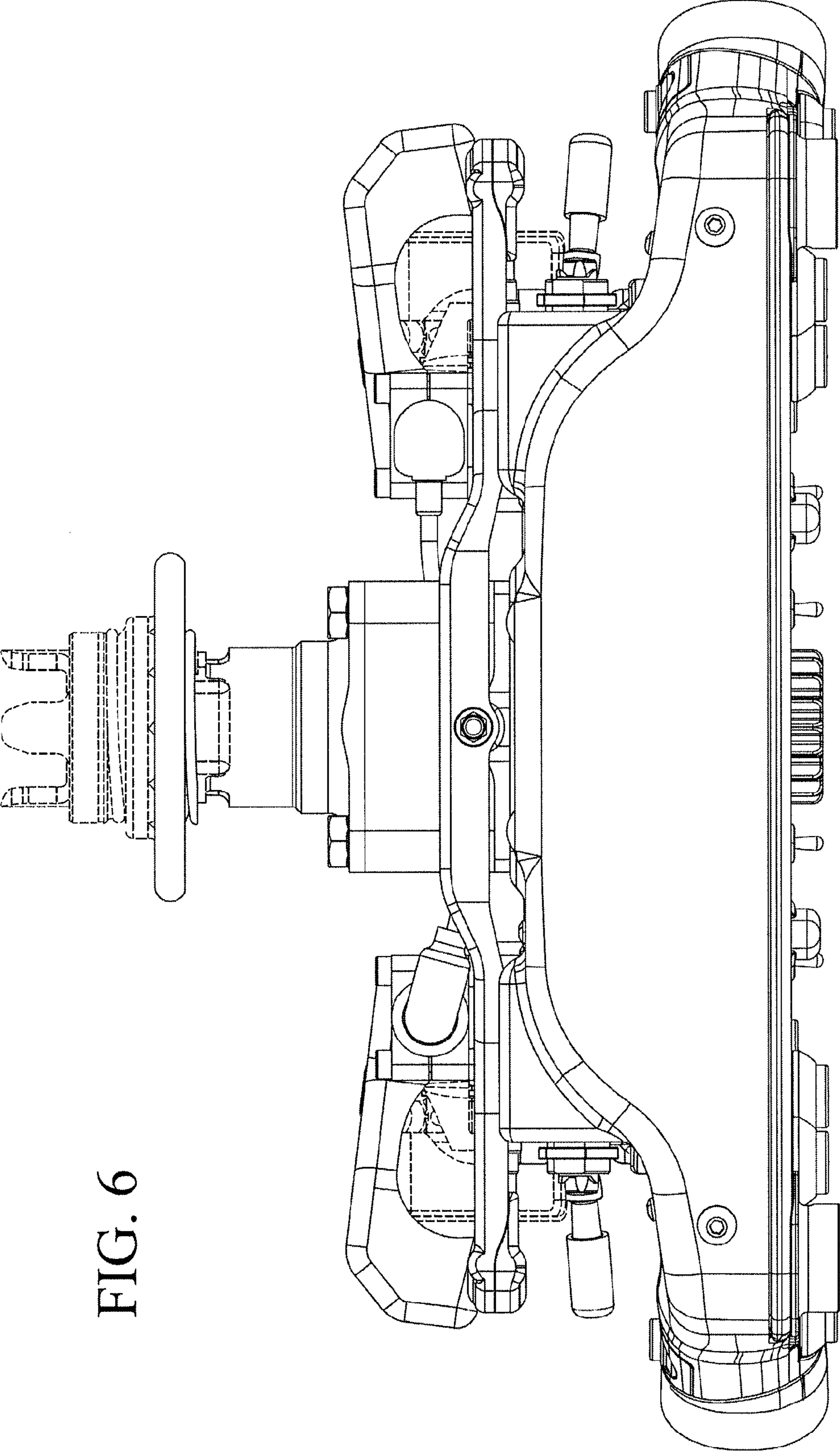


FIG. 6

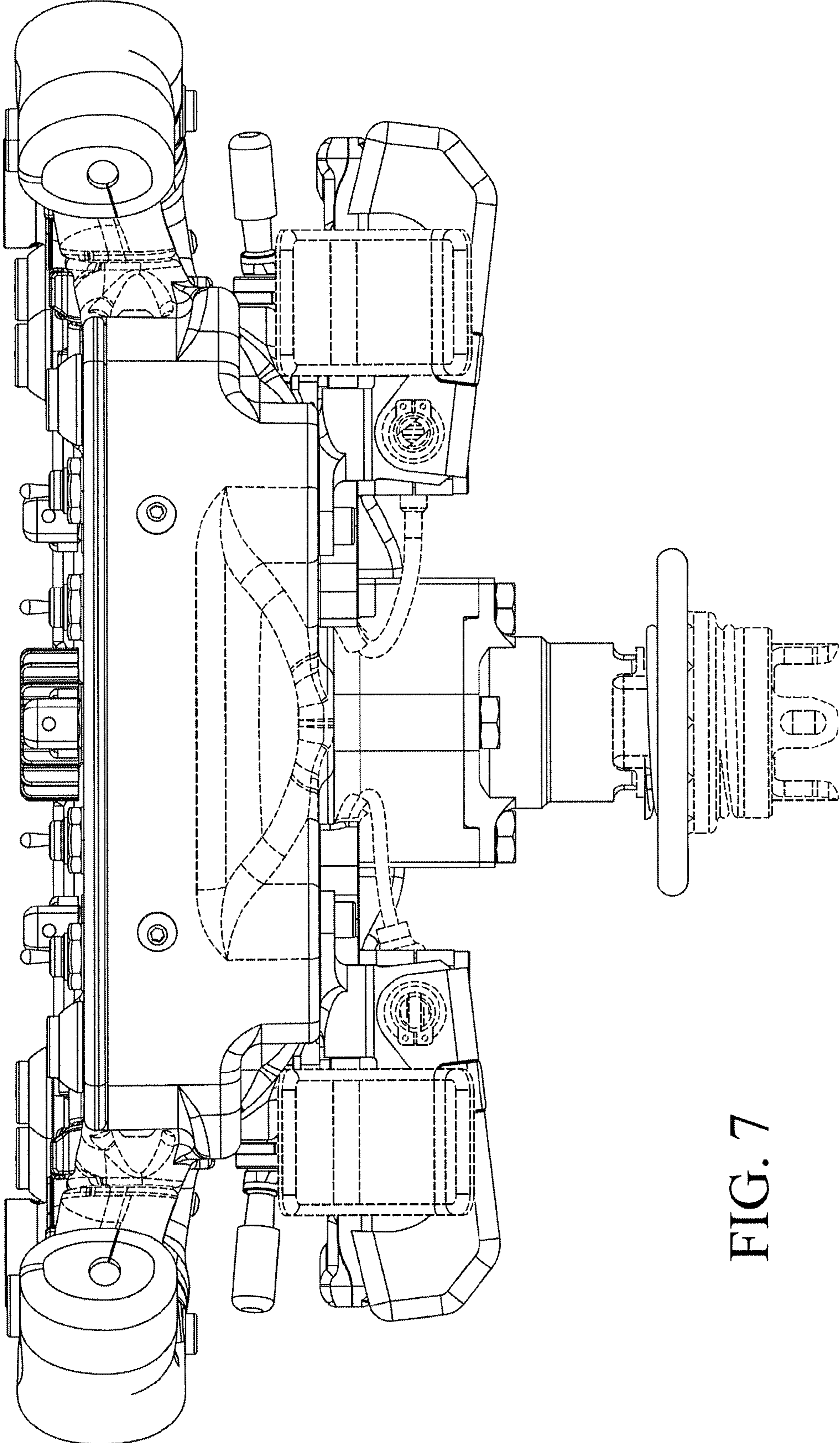


FIG. 7