



US00D776022S

(12) **United States Design Patent**
Mohapatra et al.

(10) **Patent No.:** **US D776,022 S**
(45) **Date of Patent:** **** Jan. 10, 2017**

- (54) **VEHICLE RAIL EXTENSION** 8,505,990 B2 * 8/2013 Czopek B60R 19/18
293/102
- (71) Applicant: **SABIC Global Technologies B.V.**, 8,505,990 B2 * 8/2013 Czopek B60R 19/18
Bergen op Zoom (NL) D696,169 S * 12/2013 Mana D12/172
9,033,380 B2 * 5/2015 Mana B60R 19/18
293/120
- (72) Inventors: **Subhransu Sekhar Mohapatra**, D731,382 S * 6/2015 Mana D12/196
Bangalore (IN); **Arunachala** 9,050,939 B2 * 6/2015 Marur B60R 19/18
Parameshwara, Bangalore (IN); 2006/0261611 A1 * 11/2006 Mohapatra B60R 19/18
Venkatesha Narayanaswamy, 293/107
Bengaluru (IN) 2007/0069535 A1 * 3/2007 Mohapatra B60R 19/18
293/121
2007/0200376 A1 * 8/2007 Jaarda B60R 19/18
293/120
- (73) Assignee: **SABIC GLOBAL TECHNOLOGIES**
B.V., Bergen Op Zoom (NL) (Continued)

(**) Term: **14 Years**

FOREIGN PATENT DOCUMENTS

(21) Appl. No.: **29/497,626**

GB 2386937 A 10/2003
WO 2012040826 A1 4/2012

(22) Filed: **Jul. 25, 2014**

(Continued)

(51) **LOC (10) Cl.** **12-16**

Primary Examiner — Darlington Ly

(52) **U.S. Cl.**

(74) *Attorney, Agent, or Firm* — Cantor Colburn LLP

USPC **D12/172**

(58) **Field of Classification Search**

(57) **CLAIM**

USPC D12/86, 90–92, 163, 169, 171, 172, 196,
D12/216; 293/102, 109, 113, 115, 117,
293/120, 122, 132, 133, 142, 143;
296/180.1, 180.2; D13/152

The ornamental design for a vehicle rail extension, as shown and described.

CPC B60P 7/0815; B60R 19/18; B60R 19/30

DESCRIPTION

See application file for complete search history.

FIG. 1 is a front perspective view of the vehicle rail extension showing our new design;
FIG. 2 is a rear perspective view thereof;
FIG. 3 is a front elevation view thereof;
FIG. 4 is a rear elevation view thereof;
FIG. 5 is a right elevation view thereof;
FIG. 6 is a left elevation view thereof;
FIG. 7 is a top plan view thereof; and,
FIG. 8 is a bottom plan view thereof.

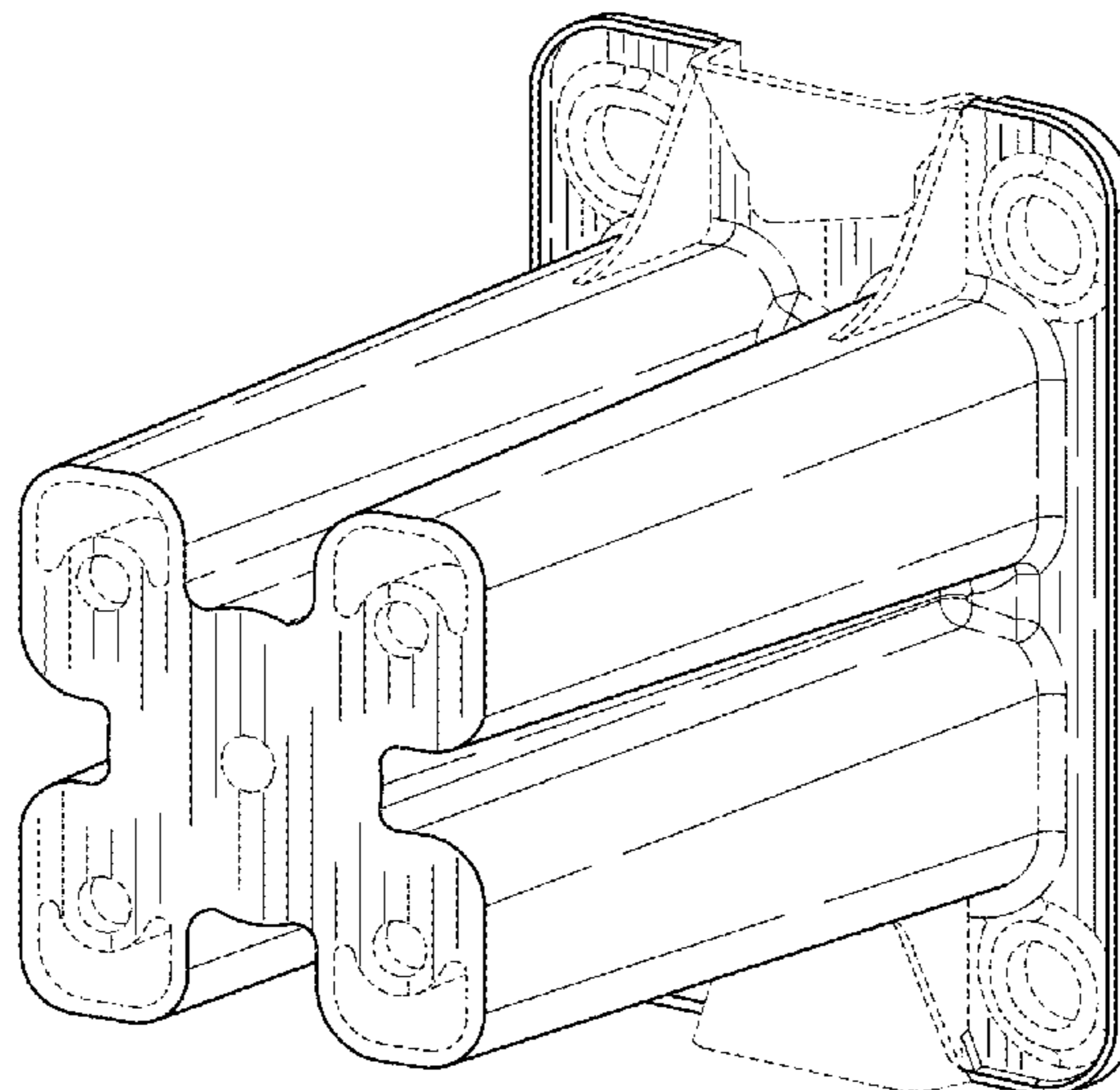
(56) **References Cited**

U.S. PATENT DOCUMENTS

- 7,568,746 B2 * 8/2009 Jaarda B60R 19/18
293/102
- 7,806,448 B2 * 10/2010 Allen B60R 19/18
293/120
- 7,938,462 B2 * 5/2011 Nilsson B60R 19/18
293/102
- D670,217 S * 11/2012 Bobba D12/169
- D670,218 S * 11/2012 Bobba D12/169
- 8,348,313 B2 * 1/2013 Chickmenahalli B60R 19/18
293/120

The broken lines in the drawings illustrate portions of the vehicle rail extension that forms no part of the claimed design.

1 Claim, 4 Drawing Sheets



(56)

References Cited

U.S. PATENT DOCUMENTS

2008/0197663 A1* 8/2008 Smith B60P 7/0815
296/100.01
2012/0104778 A1* 5/2012 Mana B60R 19/18
293/133
2012/0153643 A1* 6/2012 Mana B60R 19/12
293/120
2014/0203577 A1* 7/2014 Nagwanshi B60R 19/34
293/120
2014/0203592 A1* 7/2014 Nagwanshi B62D 29/004
296/187.01

FOREIGN PATENT DOCUMENTS

WO 2012042396 A1 4/2012
WO 2014113580 A1 7/2014

* cited by examiner

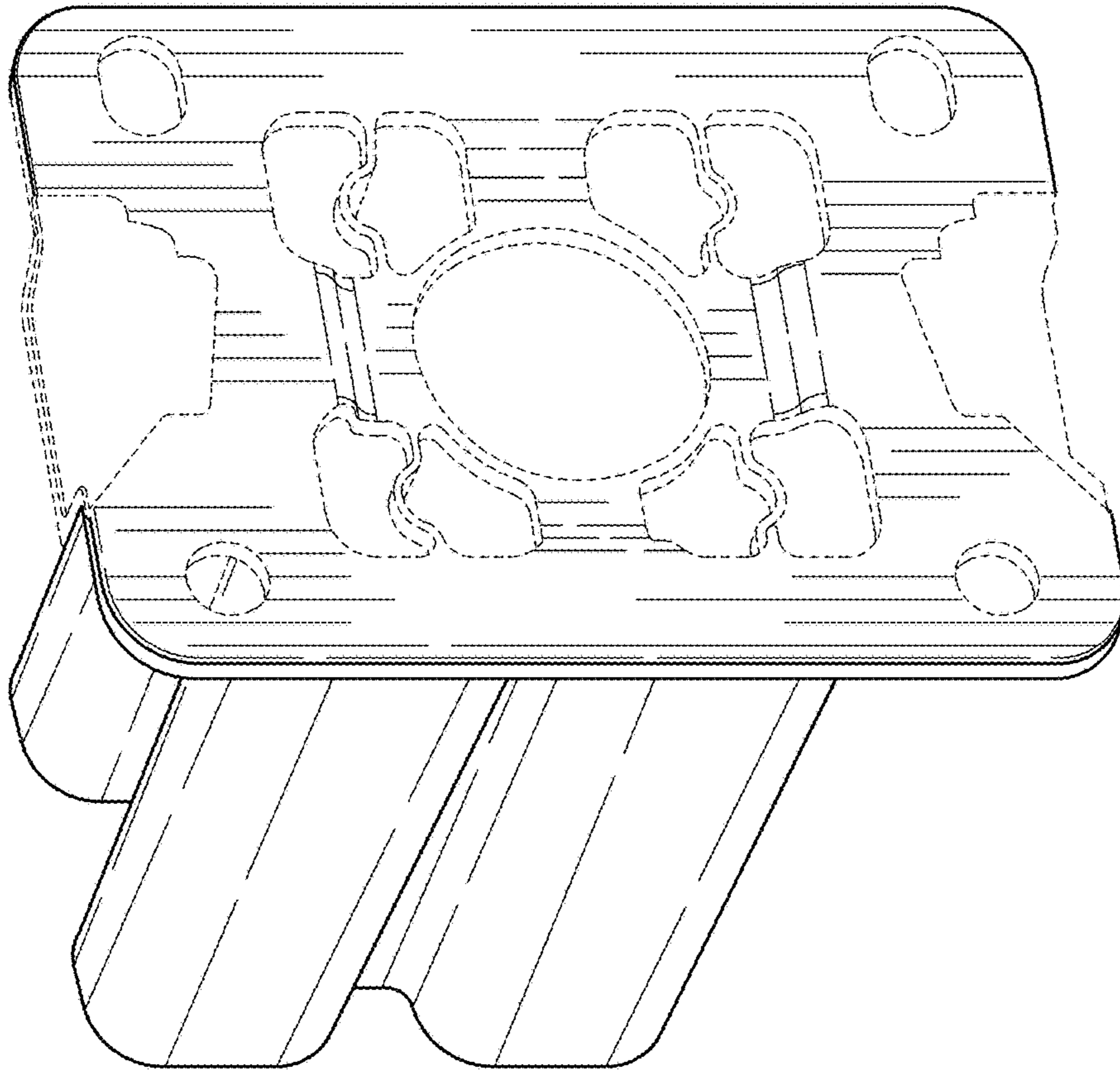


Fig. 1

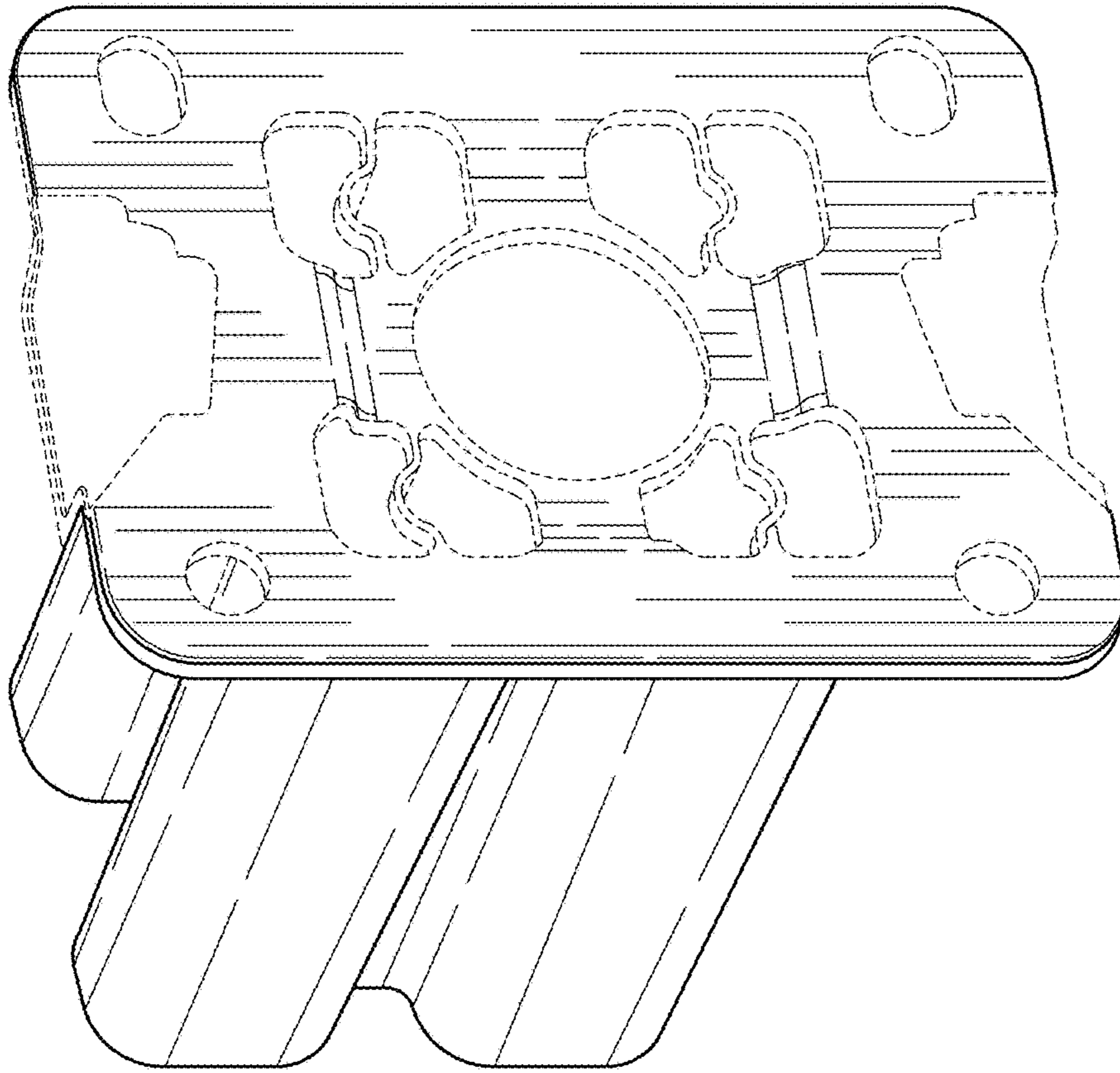


Fig. 2

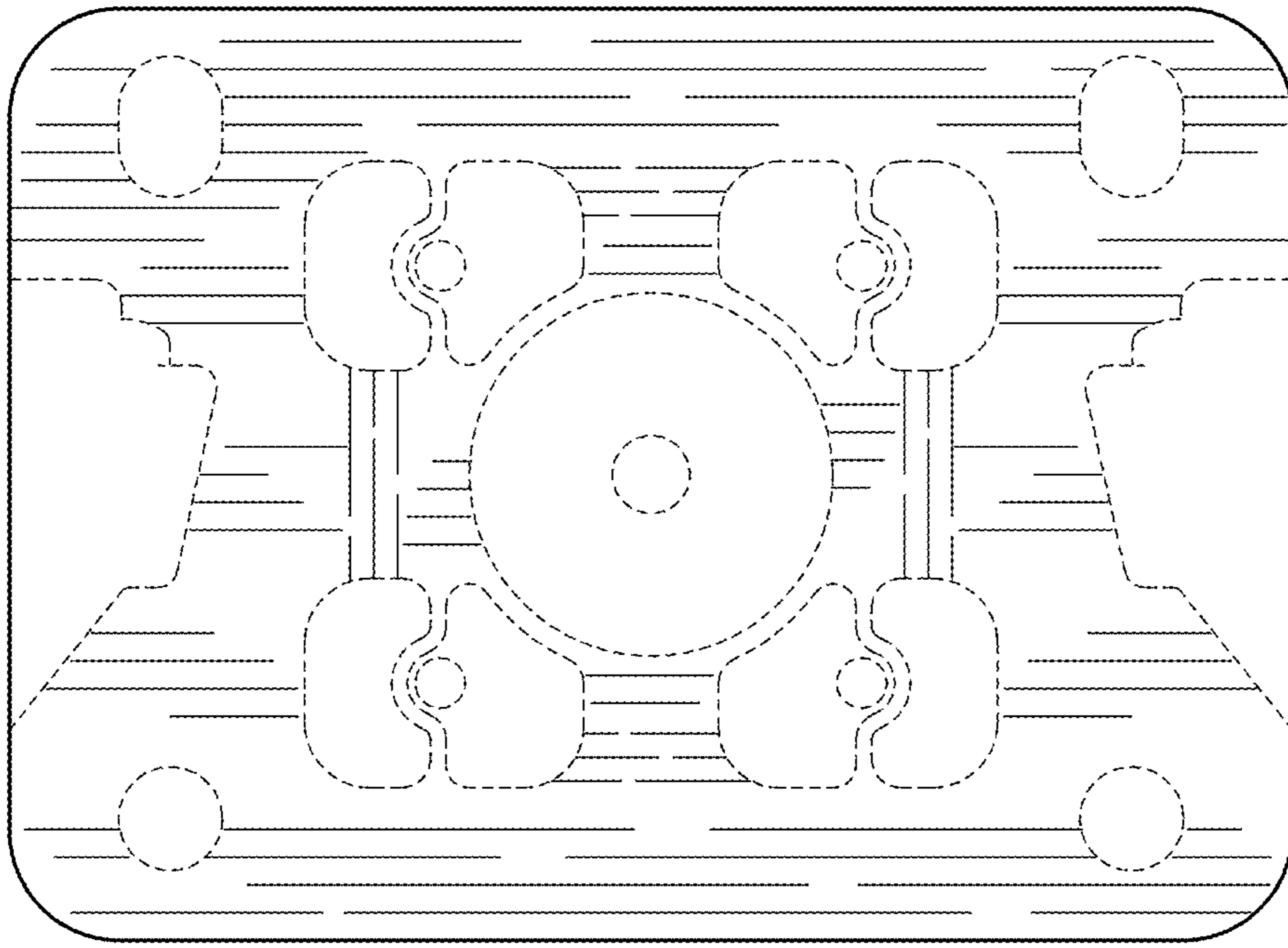


Fig. 4

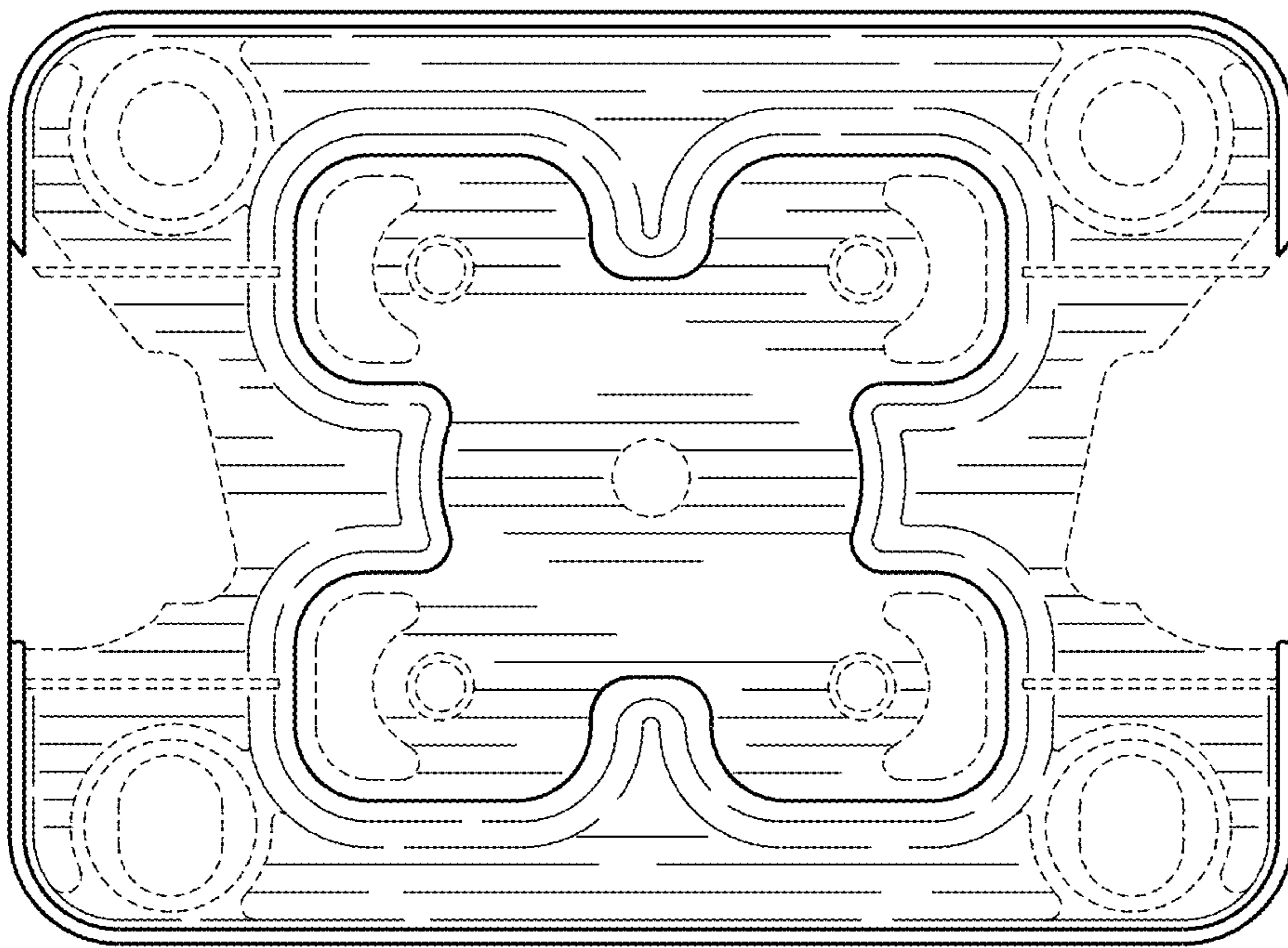


Fig. 3

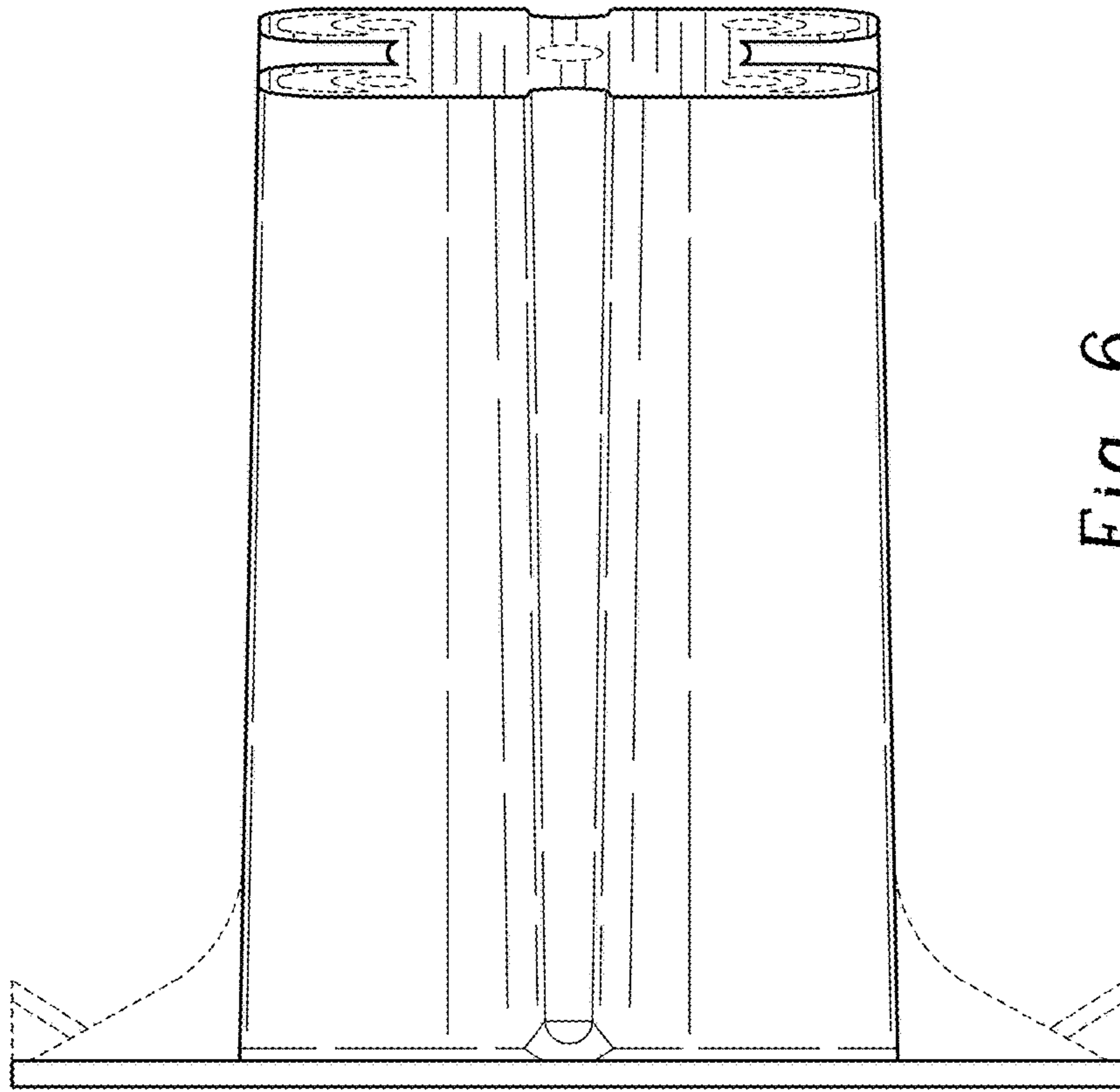


Fig. 6

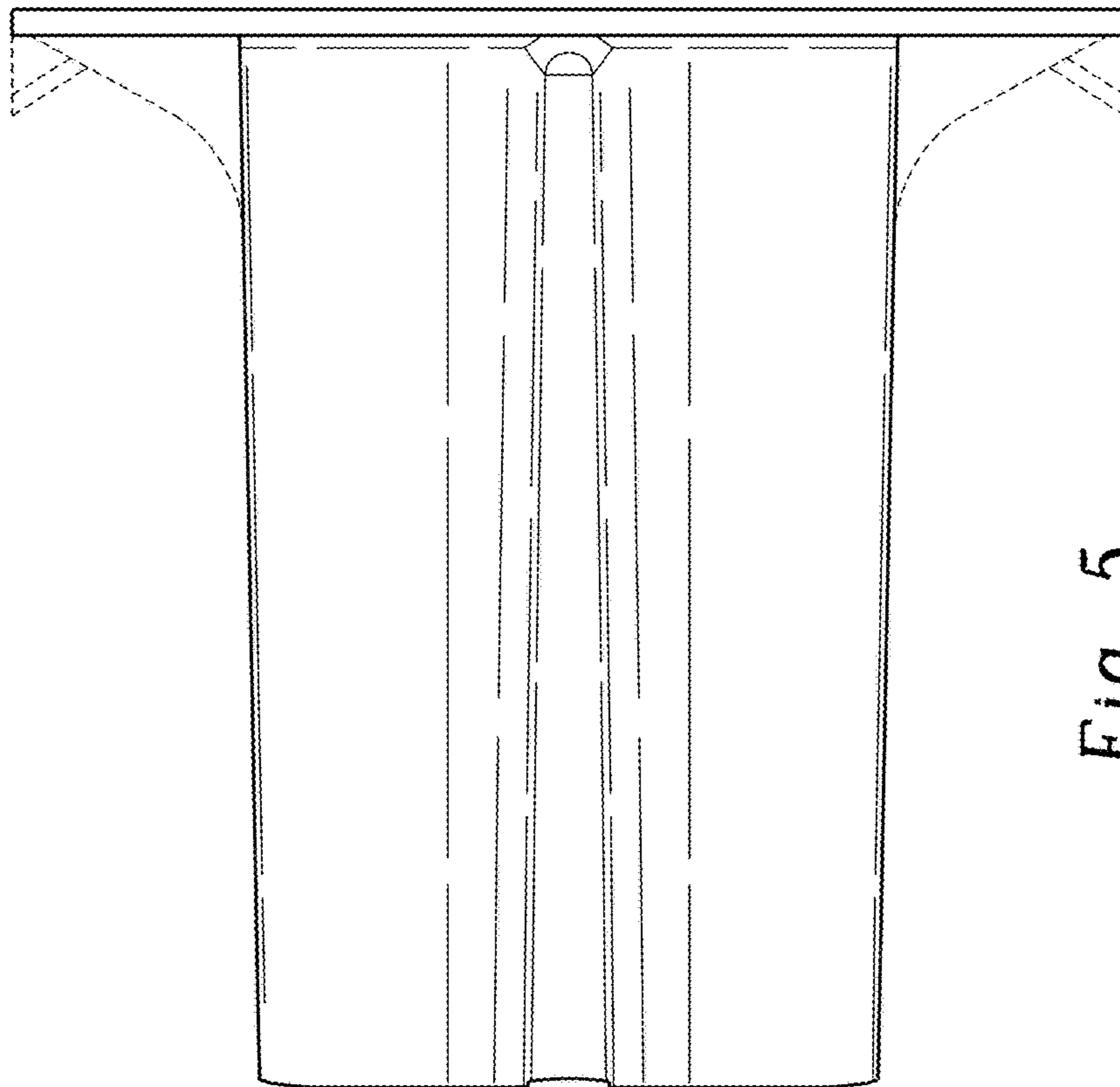


Fig. 5

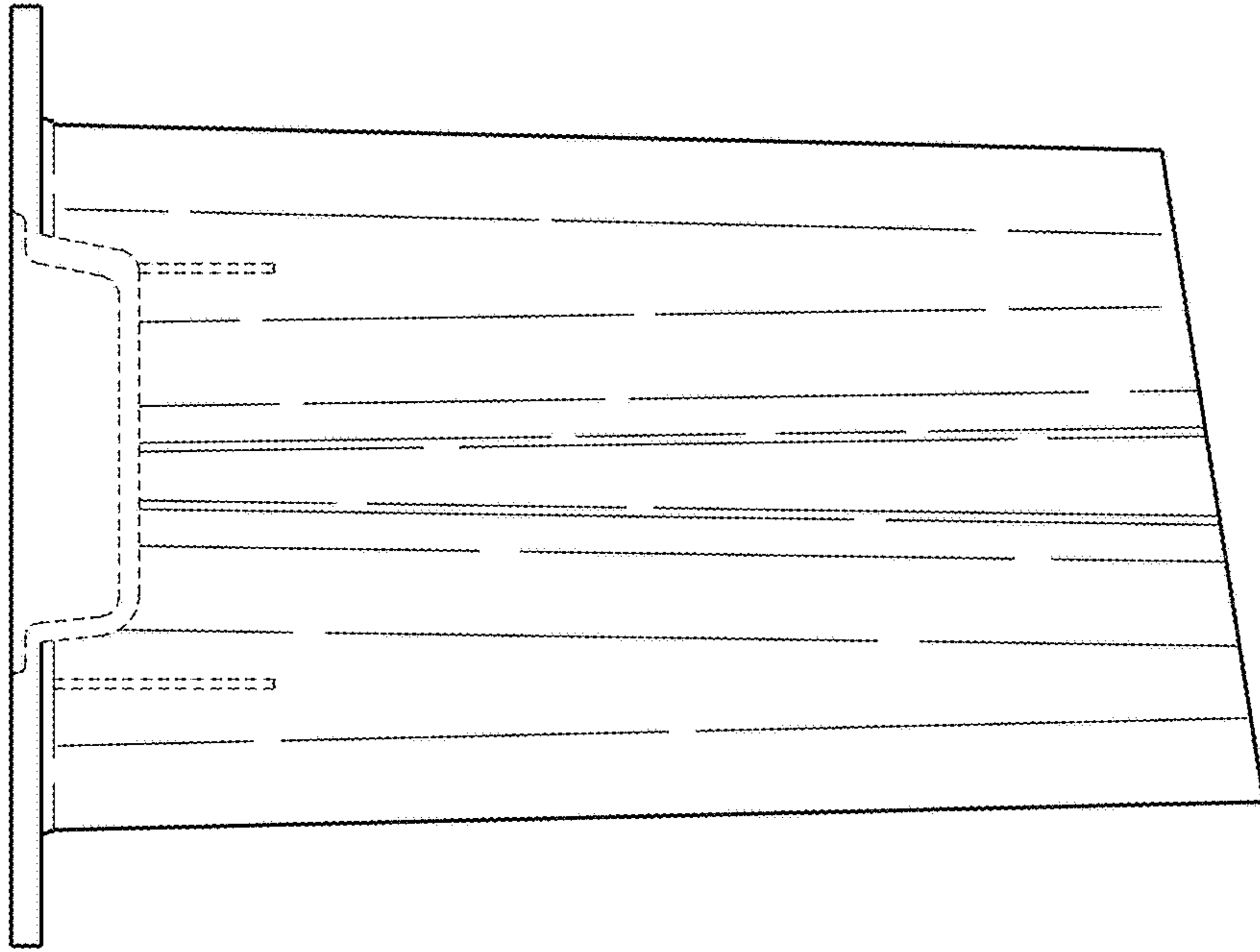


Fig. 8

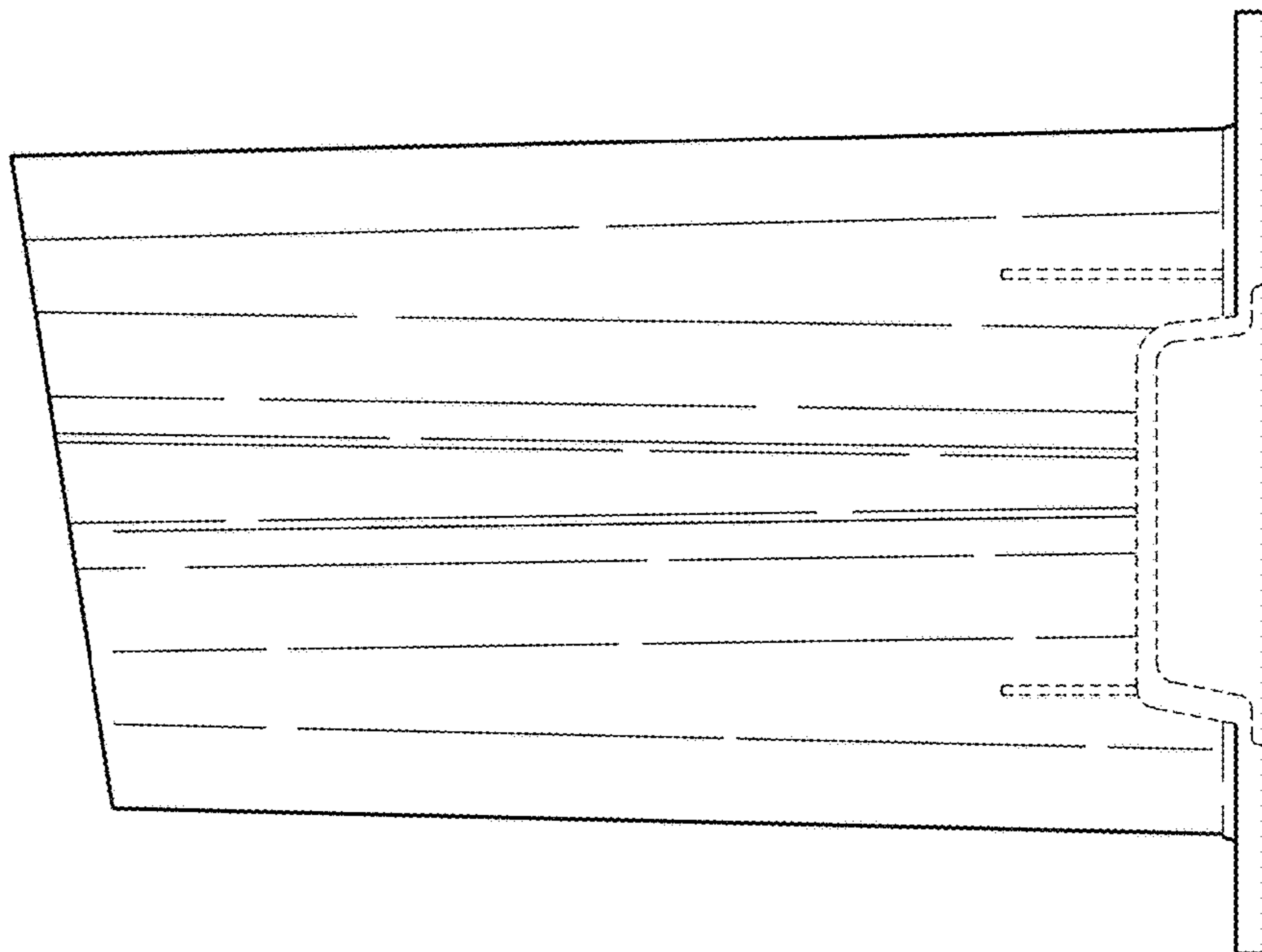


Fig. 7