



US00D776020S

(12) **United States Design Patent** (10) **Patent No.:** **US D776,020 S**
Kapitonov (45) **Date of Patent:** **** Jan. 10, 2017**

(54) **VEHICLE GRILLE**
(71) Applicant: **GM GLOBAL TECHNOLOGY OPERATIONS LLC**, Detroit, MI (US)
(72) Inventor: **Vladimir Kapitonov**, Farmington, MI (US)
(73) Assignee: **GM Global Technology Operations LLC**, Detroit, MI (US)
(**) Term: **15 Years**
(21) Appl. No.: **29/536,988**

D605,978 S 12/2009 Wolff et al.
D607,785 S * 1/2010 Walter D12/163
D608,249 S 1/2010 Peters
D608,690 S 1/2010 Folden et al.
D608,691 S 1/2010 Zak, Jr. et al.
D609,608 S 2/2010 Boniface et al.
D611,387 S 3/2010 Thompson et al.
D611,879 S 3/2010 Kim et al.
D612,297 S 3/2010 Peters et al.
D613,645 S 4/2010 Song et al.
D614,544 S * 4/2010 Ectors D12/163
D615,458 S 5/2010 Thompson et al.
D618,595 S 6/2010 Ware et al.
D623,090 S 9/2010 Cox et al.
D626,897 S * 11/2010 Ectors D12/163

(Continued)

(22) Filed: **Aug. 21, 2015**
(51) **LOC (10) Cl.** **12-16**
(52) **U.S. Cl.**
USPC **D12/163**
(58) **Field of Classification Search**
USPC D12/86, 90, 91, 92, 163, 169, 196, 171,
D12/216; D15/31; 180/68.1, 68.6;
293/103, 115, 117, 120, 193.1, 193.11
CPC . B60R 19/52; B60R 2019/525; B60K 11/085;
B62D 25/084; H01Q 1/32
See application file for complete search history.

OTHER PUBLICATIONS

7moore7. "Boyesen X-Wing?" The Unofficial Superhawk Forum., Apr. 8, 2014 [online], [retrieved on Aug. 16, 2016]. Retrieved from the Internet <URL: <http://www.superhawkforum.com/forums/modifications-performance-29/boyesen-x-wing-31600/page2/#post371017>>.*

(Continued)

Primary Examiner — Darlington Ly
(74) *Attorney, Agent, or Firm* — Reising Ethington P.C.

(56) **References Cited**

U.S. PATENT DOCUMENTS

D293,230 S * 12/1987 Kawaoka D12/163
D570,742 S 6/2008 Takagi et al.
D575,686 S * 8/2008 Fukui D12/163
D589,853 S * 4/2009 Saridakis D12/163
D592,105 S 5/2009 Dean et al.
D597,447 S 8/2009 Folden
D600,595 S 9/2009 Nakamura et al.
D601,925 S 10/2009 O'Donnell
D603,755 S 11/2009 Peters
D604,203 S 11/2009 O'Donnell
D605,082 S 12/2009 Munson
D605,083 S 12/2009 Manoogian, II et al.
D605,977 S 12/2009 Zipfel et al.

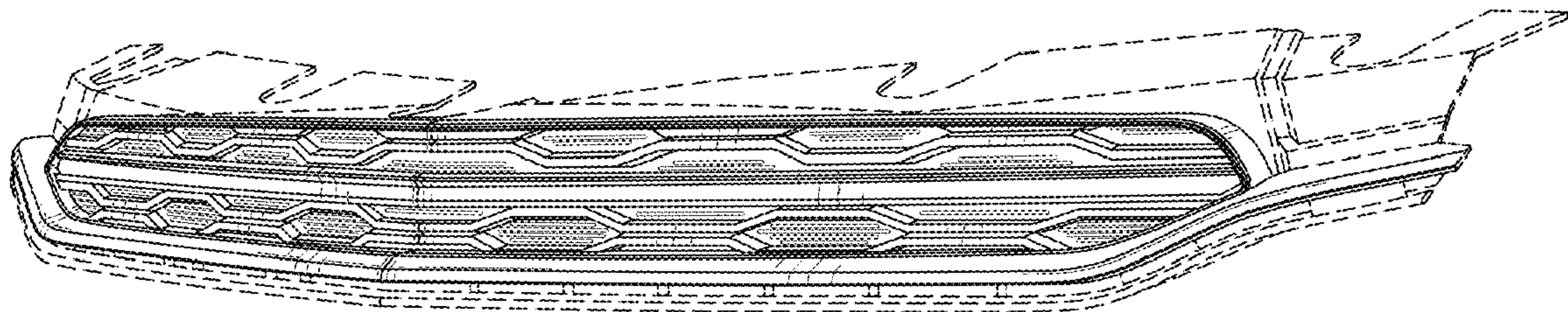
(57) **CLAIM**

The ornamental design for a vehicle grille, as shown and described.

DESCRIPTION

FIG. 1 is a perspective view of the vehicle grille;
FIG. 2 is a top plan view thereof;
FIG. 3 is a side elevation view thereof; and,
FIG. 4 is a front view thereof.
The portions shown by broken lines in the drawings form no part of the claimed design.

1 Claim, 2 Drawing Sheets



(56)

References Cited

U.S. PATENT DOCUMENTS

D627,262 S 11/2010 Ikeda et al.
 D633,832 S * 3/2011 Matei D12/163
 D635,488 S 4/2011 Phipps
 D644,147 S 8/2011 Suh et al.
 D644,567 S 9/2011 Kozub
 D651,142 S * 12/2011 Fushimi D12/163
 D657,718 S 4/2012 Zipfel et al.
 D659,052 S 5/2012 Ware et al.
 D659,053 S 5/2012 Ware et al.
 D668,182 S 10/2012 Barba Franco et al.
 D668,183 S 10/2012 Smart
 D678,134 S * 3/2013 Behmer D12/163
 D678,820 S 3/2013 Song et al.
 D678,821 S 3/2013 Ikeda et al.
 D678,824 S * 3/2013 Behmer D12/163
 D679,225 S * 4/2013 Gifford D12/163
 D680,033 S * 4/2013 Behmer D12/163
 D680,909 S 4/2013 Munson et al.
 D680,910 S 4/2013 David
 D680,921 S * 4/2013 Jara D12/163
 D684,899 S 6/2013 Baker
 D686,536 S 7/2013 McCabe et al.
 D687,354 S * 8/2013 Hildebrand D12/163
 D692,798 S 11/2013 Thurber
 D692,799 S 11/2013 Smith et al.
 D692,803 S * 11/2013 Nakahara D12/163
 D696,157 S 12/2013 Loeb
 D698,703 S * 2/2014 Rupar D12/163
 D698,704 S * 2/2014 Rupar D12/163
 D699,629 S 2/2014 Ikeda et al.
 D700,871 S 3/2014 O'Donnell et al.
 D702,155 S * 4/2014 Hanaoka D12/163
 D703,103 S 4/2014 Lee
 D704,103 S 5/2014 Mack et al.
 D705,132 S 5/2014 Ware et al.
 D705,699 S 5/2014 Ware et al.

D711,293 S * 8/2014 Waterman D12/163
 D712,318 S * 9/2014 Mays D12/163
 D712,797 S * 9/2014 Mays D12/163
 D713,298 S 9/2014 Dyson
 D713,764 S 9/2014 Ferlazzo et al.
 D715,704 S * 10/2014 Steinhauser D12/163
 D716,696 S 11/2014 Thole et al.
 D716,706 S 11/2014 Thole et al.
 D716,709 S 11/2014 Thole et al.
 D717,696 S 11/2014 Thole et al.
 D718,189 S 11/2014 Krieg et al.
 D718,683 S 12/2014 Thole et al.
 D721,020 S * 1/2015 Hanaoka D12/163
 D722,282 S 2/2015 Loeb
 D722,533 S 2/2015 Thole et al.
 D722,534 S 2/2015 Munson et al.
 D722,923 S * 2/2015 George D12/163
 D724,510 S 3/2015 McMahan et al.
 D725,001 S 3/2015 McMahan et al.
 D726,597 S * 4/2015 Wolff D12/163
 D730,776 S 6/2015 Smart
 D730,783 S * 6/2015 Henriques D12/163
 D732,435 S 6/2015 Mackay
 D735,627 S 8/2015 Smith et al.
 D736,451 S 8/2015 Smith et al.

OTHER PUBLICATIONS

Lassa, Todd. "First Look: 2014 Chevrolet Malibu." Motor Trend., Jul. 26, 2011 [online], [retrieved on Aug. 16, 2016]. Retrieved from the Internet <URL: <http://www.motortrend.com/cars/chevrolet/malibu/2013/2013-chevrolet-malibu-first-look/>>.*
 DeluxeAutoMall. "2014-2015 Chevy Malibu Outfitted with Chrome Grille Overlay." YouTube., May 11, 2015 [online], [retrieved on Aug. 16, 2016]. Retrieved from the Internet <URL: https://www.youtube.com/watch?v=J2pxR_LB2ol>.*

* cited by examiner

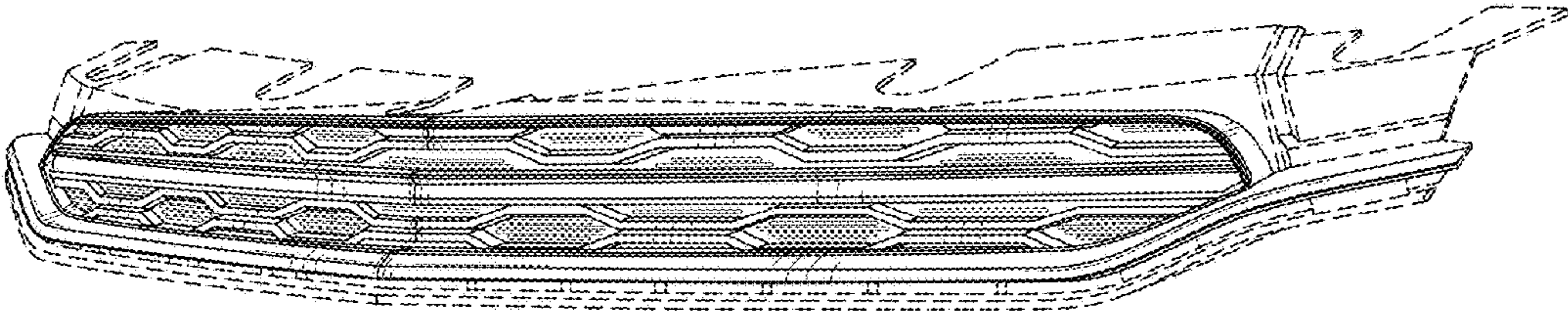


Fig. 1

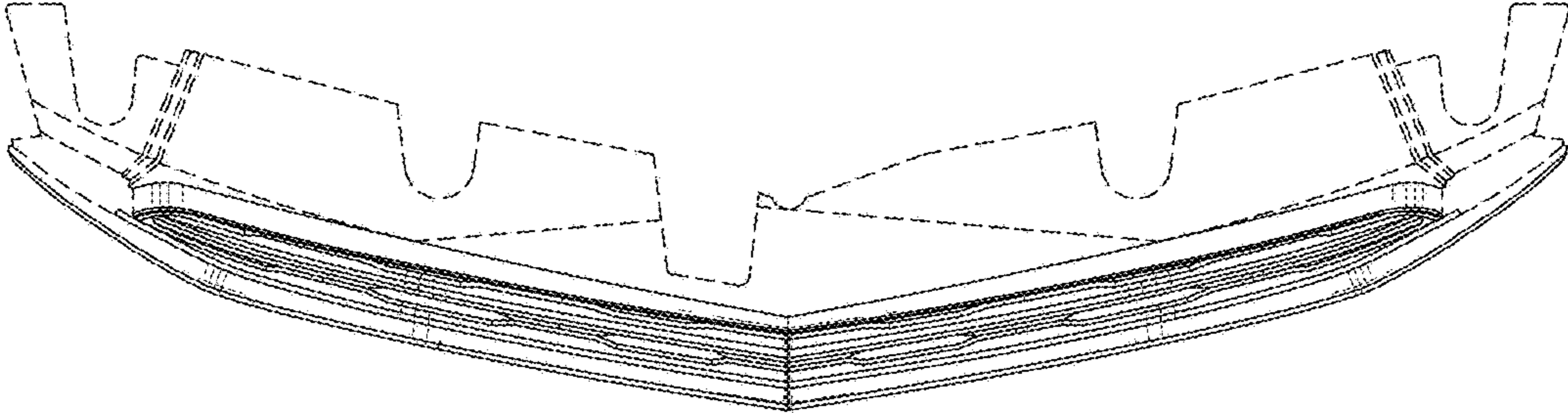


Fig. 2

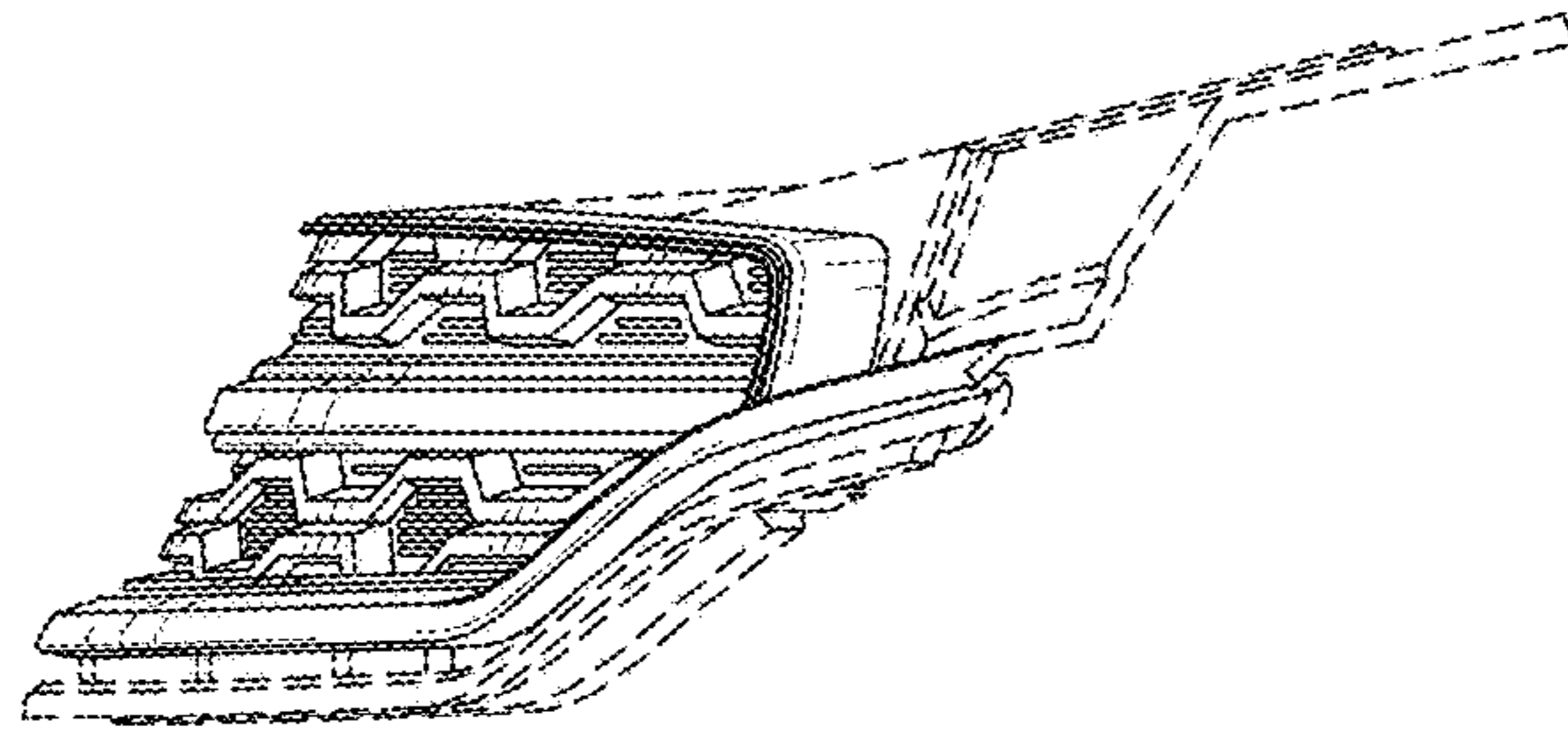


Fig. 3

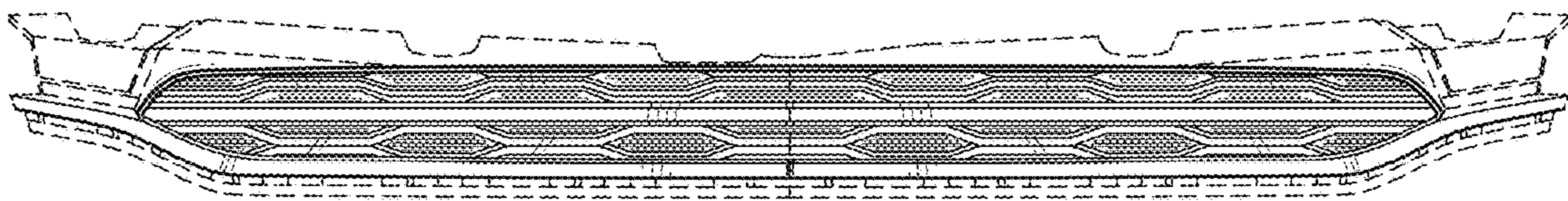


Fig. 4