



US00D776019S

(12) **United States Design Patent**
Reinius et al.

(10) **Patent No.:** **US D776,019 S**
(45) **Date of Patent:** **** Jan. 10, 2017**

(54) **CHILD'S STROLLER**

(71) Applicant: **Thule IP AB**, Malmö (SE)

(72) Inventors: **Pelle Reinius**, Stockholm (SE); **Martin Birath**, Lidingö (SE); **Oskar Juhlin**, Gustavsberg (SE)

(73) Assignee: **Thule IP AB**, Malmö (SE)

(**) Term: **15 Years**

(21) Appl. No.: **29/543,797**

(22) Filed: **Oct. 28, 2015**

Related U.S. Application Data

(63) Continuation of application No. 29/515,817, filed on Jan. 27, 2015, now Pat. No. Des. 749,990, which is a continuation of application No. 29/479,638, filed on Jan. 17, 2014, now Pat. No. Des. 724,501.

(51) **LOC (10) Cl.** **12-12**

(52) **U.S. Cl.**
USPC **D12/129**

(58) **Field of Classification Search**
USPC D12/128-133
CPC B62B 7/00-7/04; B62B 9/00-9/28
See application file for complete search history.

(56) **References Cited**

U.S. PATENT DOCUMENTS

D371,094 S	6/1996	Hinkston	
D408,768 S	4/1999	Baechler et al.	
D419,113 S	1/2000	Everett	
D426,176 S	6/2000	Sutherland et al.	
D442,895 S *	5/2001	Chiu	D12/129
D452,194 S	12/2001	Stohr et al.	
D452,195 S	12/2001	Baechler	
D463,762 S	10/2002	Everett	
D475,951 S	6/2003	Everett	

D481,976 S	11/2003	Everett
6,671,926 B2	1/2004	Huang
6,779,804 B1	8/2004	Liu
D498,713 S	11/2004	Chou
D498,714 S	11/2004	Chou

(Continued)

FOREIGN PATENT DOCUMENTS

TW	524545	3/2003
TW	541042	7/2003

(Continued)

OTHER PUBLICATIONS

Search Report mailed Nov. 26, 2014; in Taiwanese patent application number 103303760.

(Continued)

Primary Examiner — Charles Hanson
(74) *Attorney, Agent, or Firm* — Sterne, Kessler, Goldstein & Fox P.L.L.C.

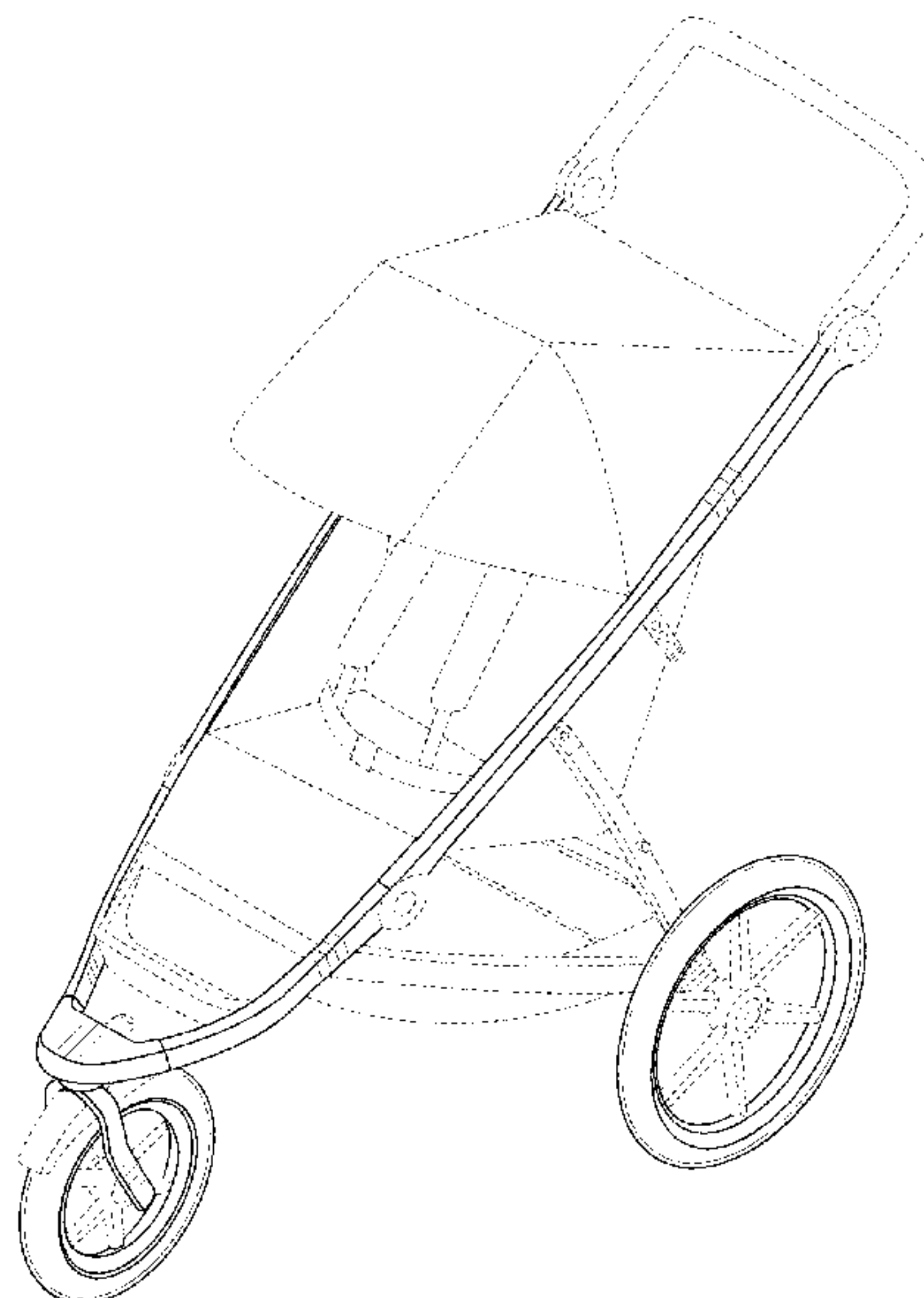
(57) **CLAIM**

The ornamental design for a child's stroller, as shown and described.

DESCRIPTION

FIG. 1 is a top front perspective view of a child's stroller showing our new design;
FIG. 2 is a front view thereof;
FIG. 3 is a rear view thereof;
FIG. 4 is a left side view thereof;
FIG. 5 is a right side view thereof;
FIG. 6 is a top view thereof; and,
FIG. 7 is a bottom view thereof.
The broken lines in the Figures show portions of the child's stroller that form no part of the claimed design.

1 Claim, 7 Drawing Sheets



(56)

References Cited

U.S. PATENT DOCUMENTS

6,893,040 B2 * 5/2005 Hou B60N 2/2845
280/642

D506,417 S 6/2005 Liao

D506,418 S 6/2005 Liao

D519,063 S 4/2006 Chang

7,021,651 B2 * 4/2006 Lan B60B 33/026
280/47.371

D520,415 S 5/2006 Liu

7,077,420 B1 7/2006 Santoski

7,083,175 B1 8/2006 Liu

D529,844 S * 10/2006 Chen D12/129

D558,099 S * 12/2007 Yang D12/129

D564,948 S 3/2008 Liu

D578,936 S * 10/2008 Chen D12/129

D585,338 S * 1/2009 Siewertsen D12/129

D587,635 S * 3/2009 Gower D12/129

D616,340 S * 5/2010 Wu D12/129

D622,640 S 8/2010 Gower

D687,352 S * 8/2013 Shellenberger D12/129

D723,746 S * 3/2015 Jakubowski D30/109

D724,501 S * 3/2015 Reinius D12/129

D735,621 S 8/2015 Yi et al.

D749,990 S * 2/2016 Reinius D12/129

FOREIGN PATENT DOCUMENTS

TW 104076 4/2005

TW 134959 5/2010

OTHER PUBLICATIONS

English translation for the Search Report mailed Nov. 26, 2014; in Taiwanese patent application No. 103303760.

Search Report mailed Nov. 26, 2014; in Taiwanese patent application number 103303759.

English translation for the Search Report mailed Nov. 26, 2014; in Taiwanese patent application No. 103303759.

English translation for TW524545; published on Mar. 11, 2003 and retrieved on Dec. 11, 2014.

English translation for TW541042, published on Jul. 1, 2003 and retrieved on Dec. 11, 2014.

English translation for TWD104076; published on Apr. 1, 2005 and retrieved on Dec. 11, 2014.

English translation for TWD134959; published on May 21, 2010 and retrieved on Dec. 11, 2014.

* cited by examiner

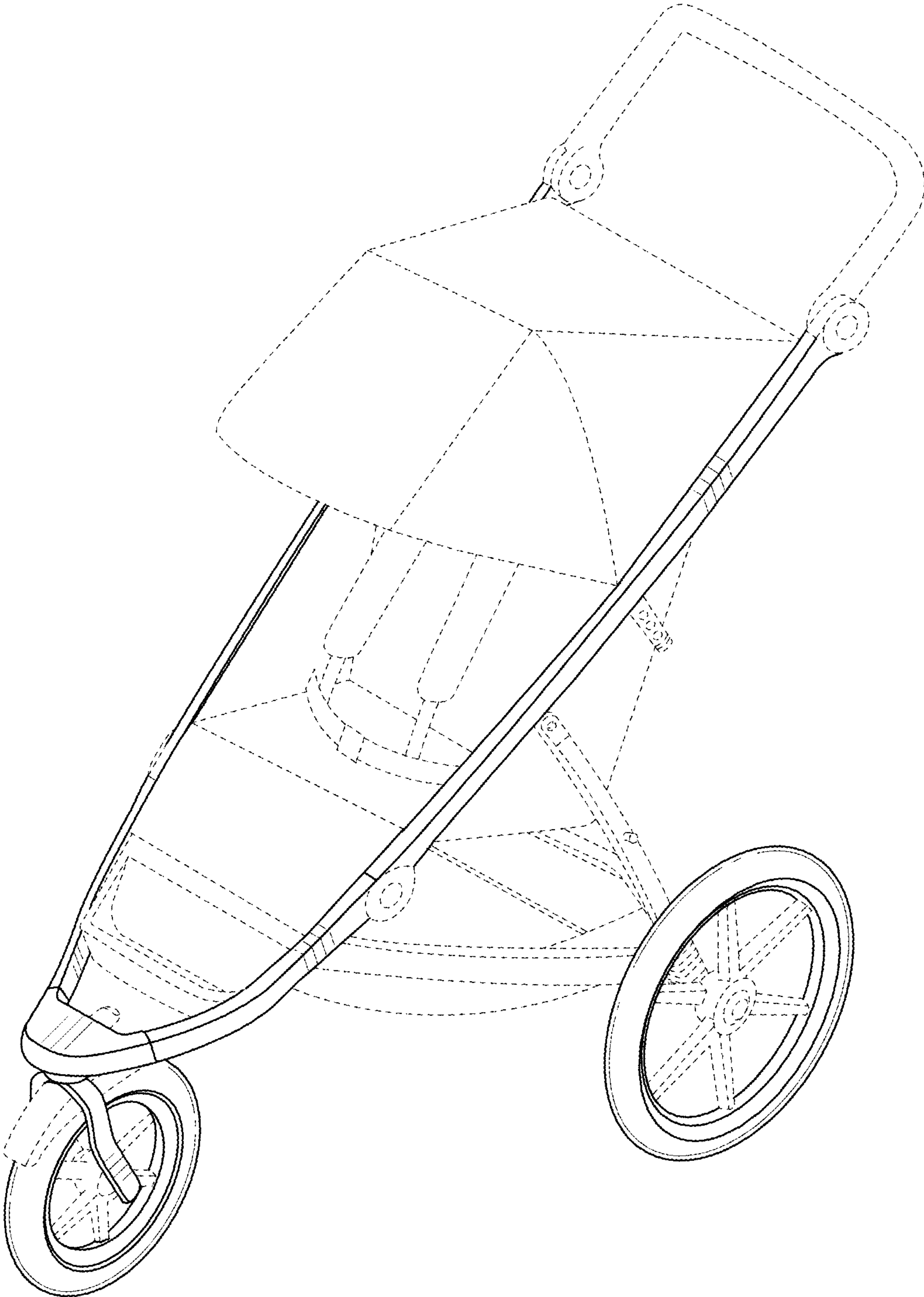


FIG. 1

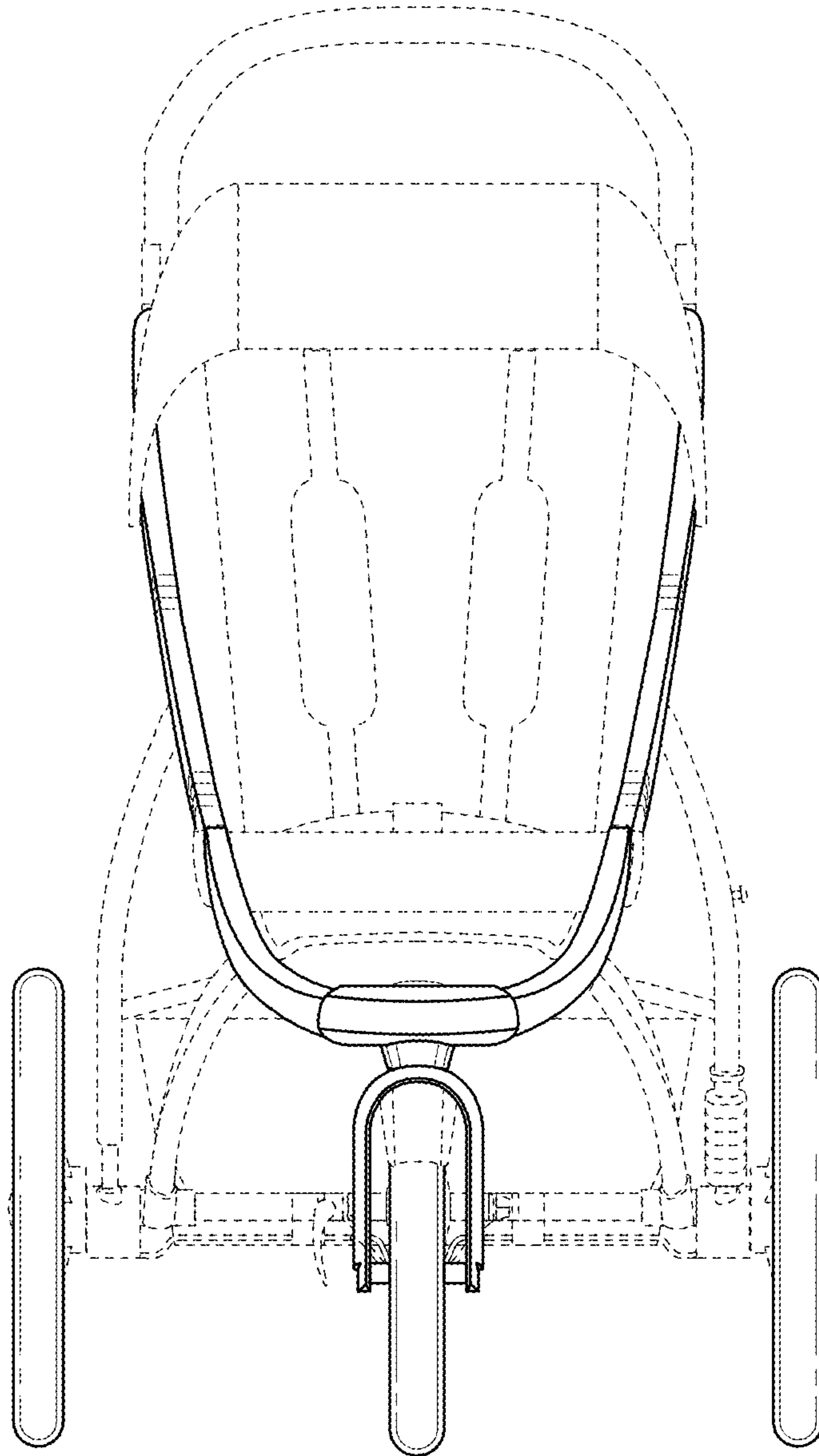


FIG. 2

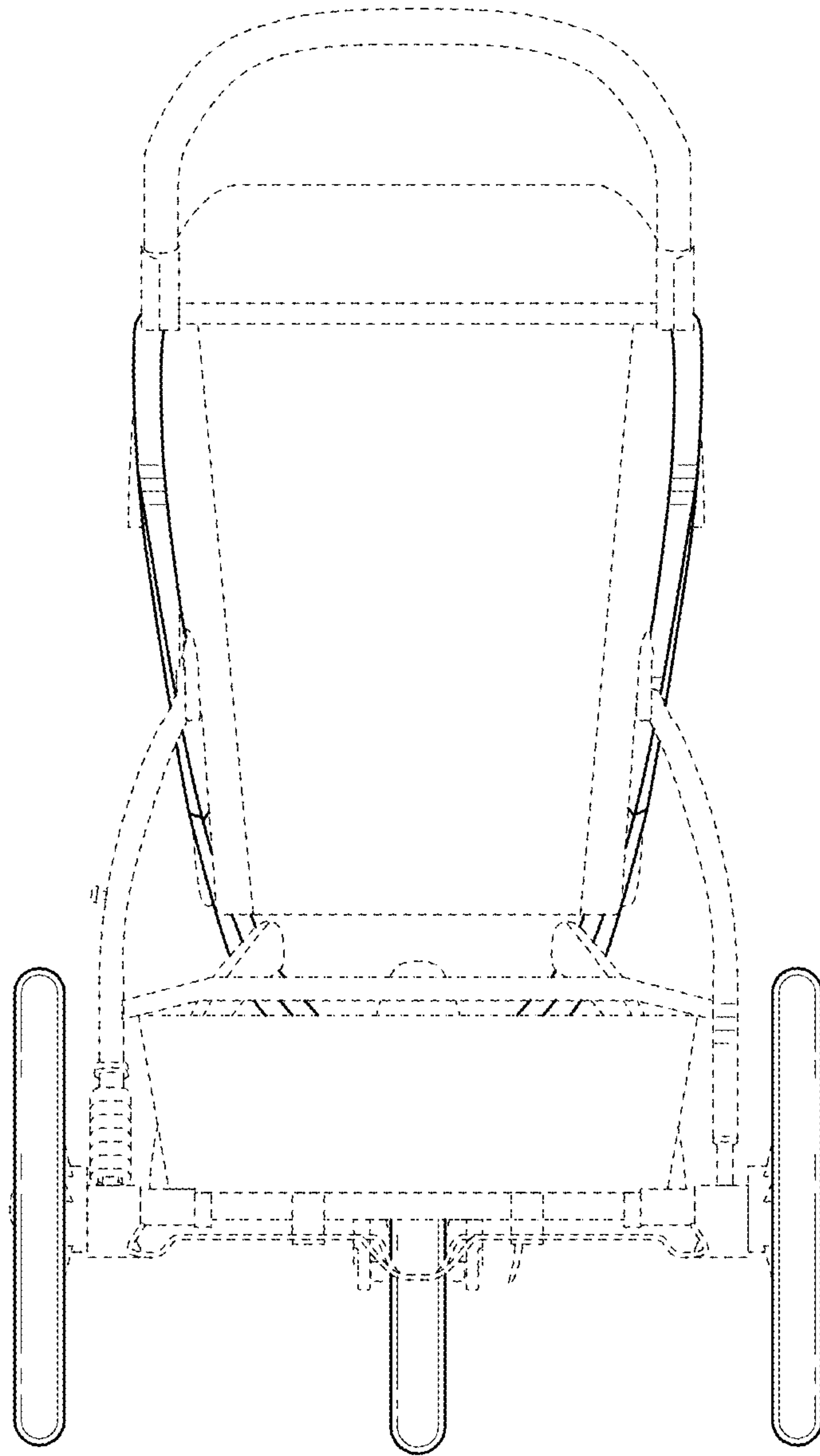


FIG. 3

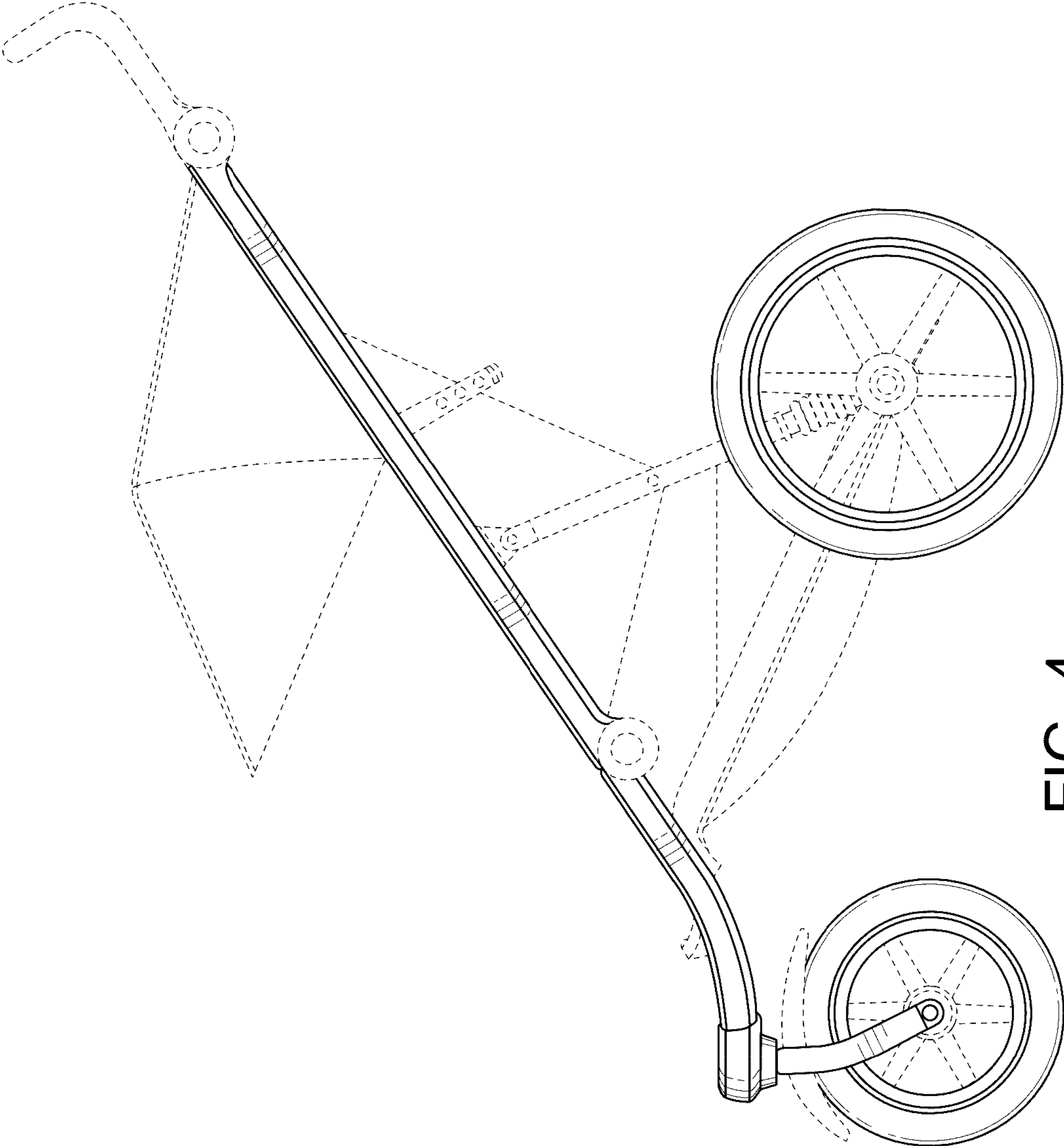


FIG. 4

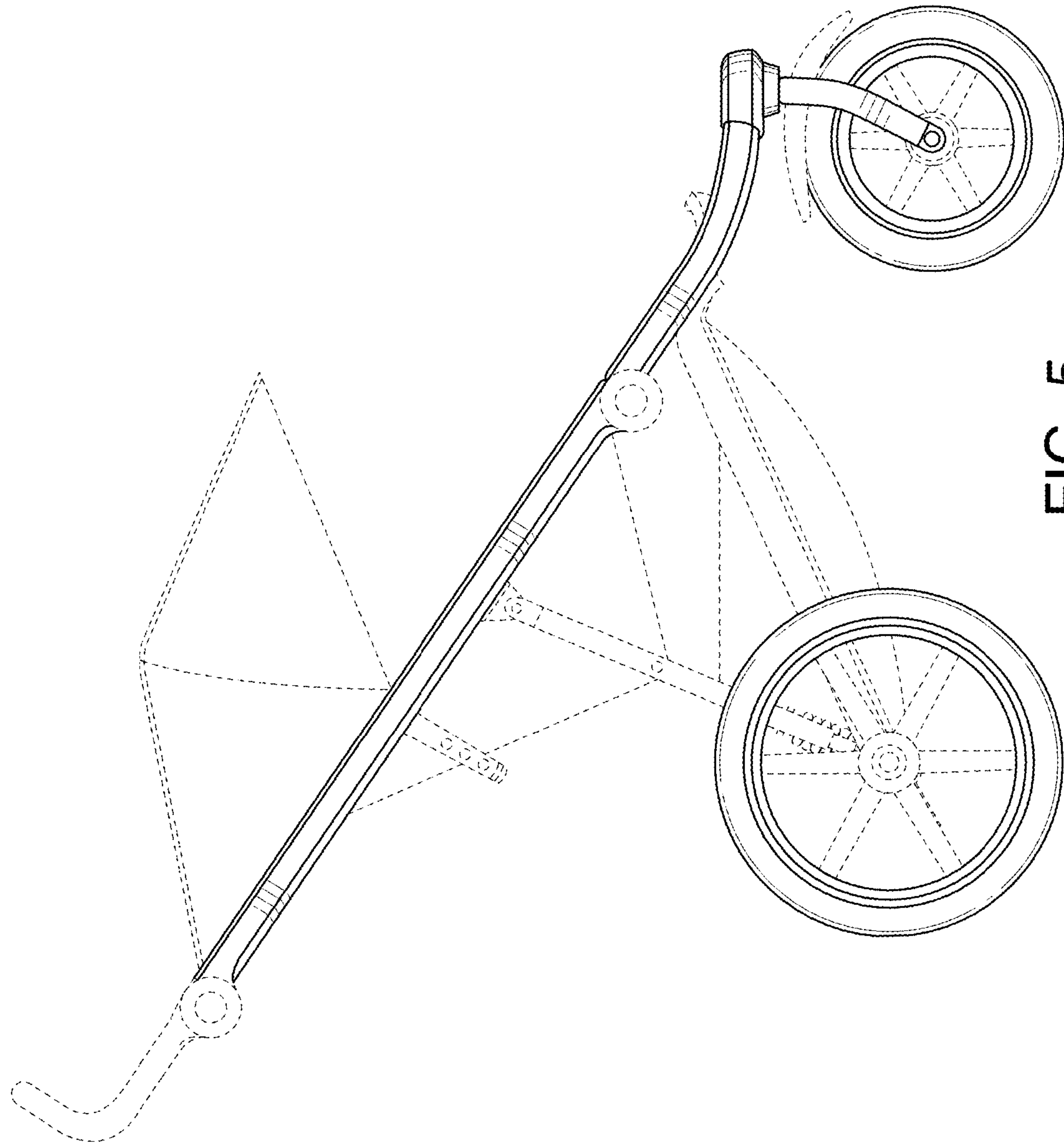


FIG. 5

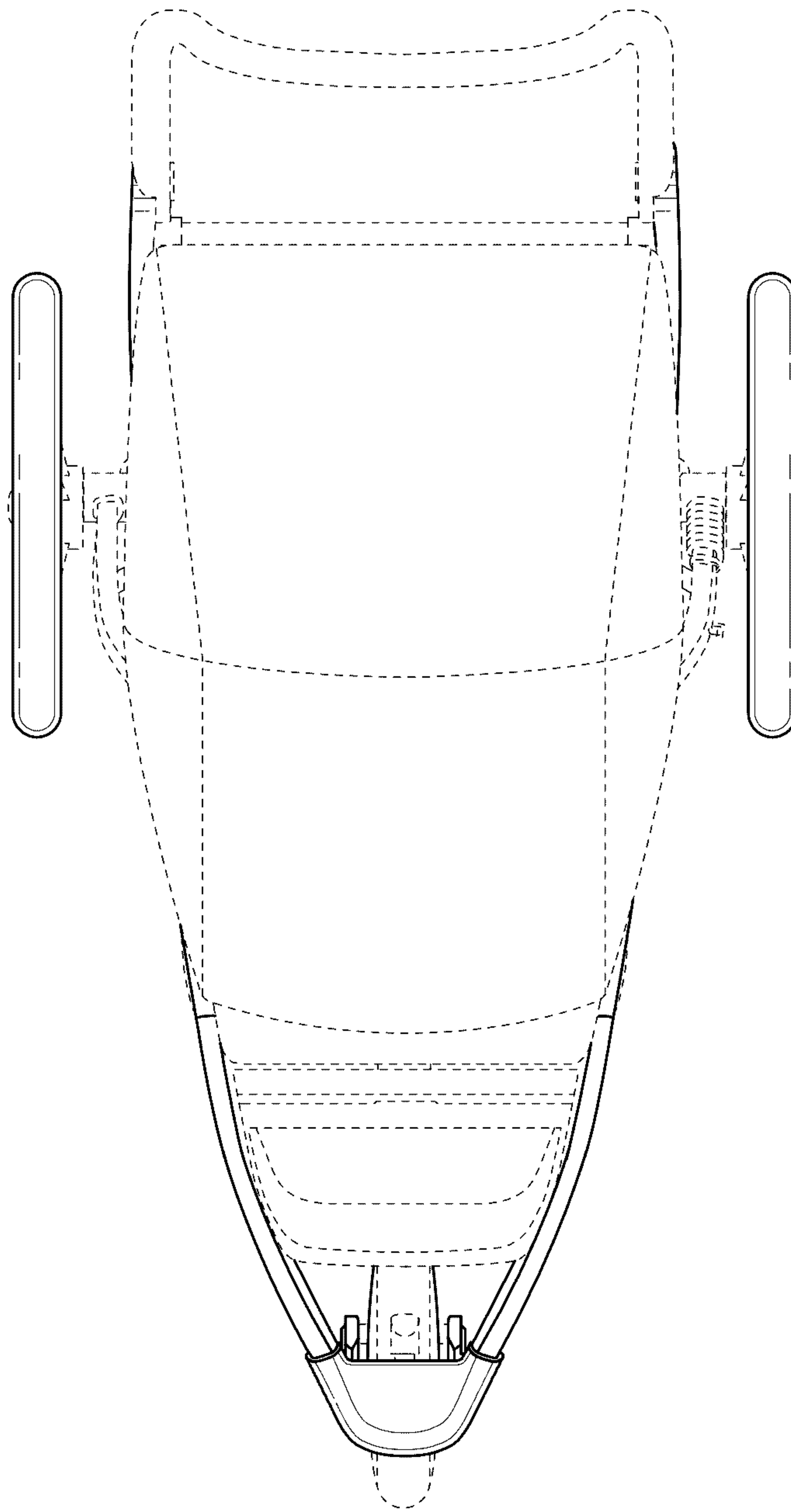


FIG. 6

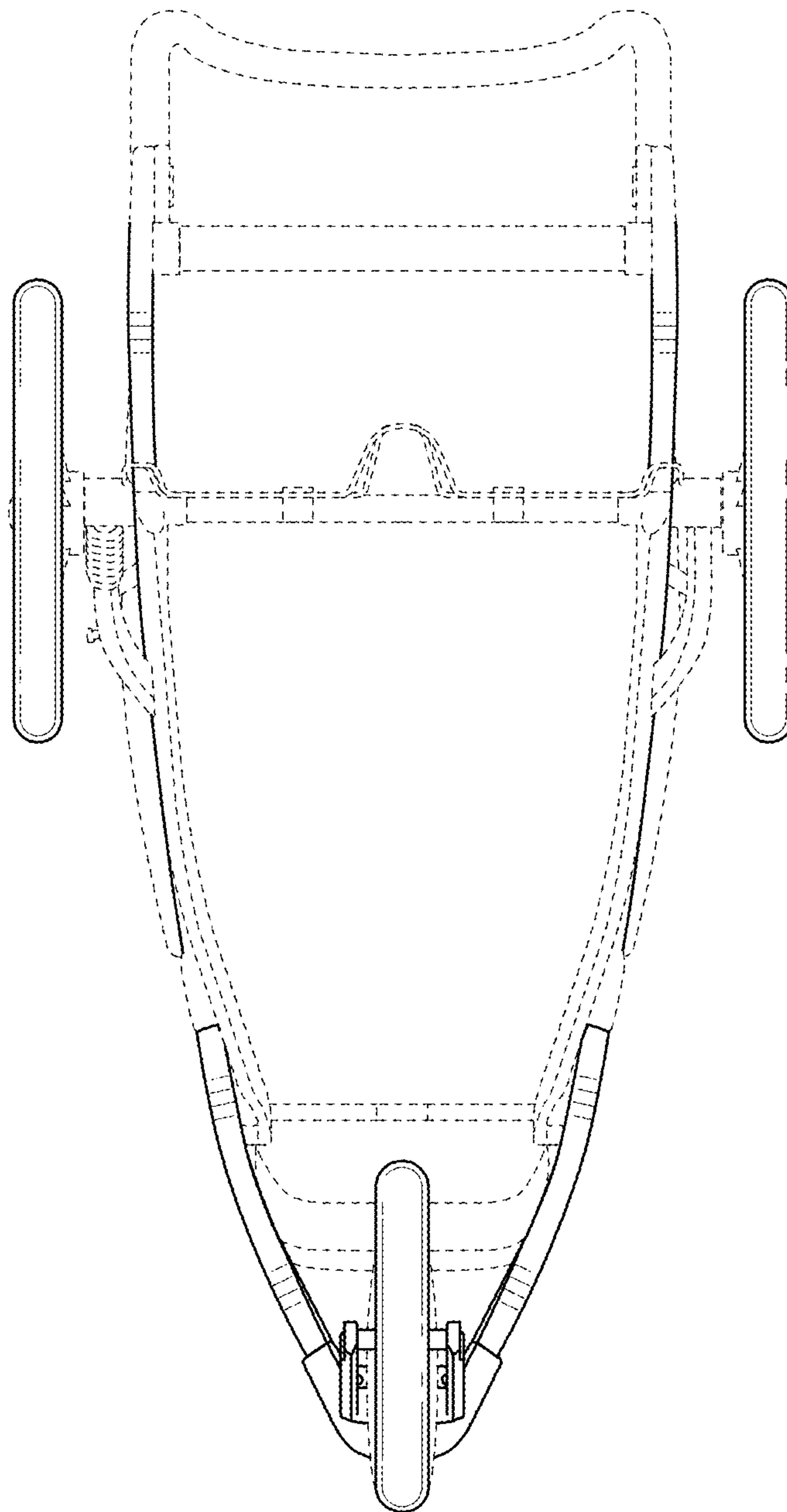


FIG. 7