



US00D776016S

(12) **United States Design Patent** (10) **Patent No.:** **US D776,016 S**
Androski et al. (45) **Date of Patent:** **** Jan. 10, 2017**

(54) **THREE WHEELED VEHICLE**
(71) Applicant: **Huffy Corporation**, Centerville, OH (US)
(72) Inventors: **Alex William Androski**, Dayton, OH (US); **Jason David Jewell**, Huber Heights, OH (US); **Andrew John Bean**, Cincinnati, OH (US)
(73) Assignee: **Huffy Corporation**, Centerville, OH (US)
(**) Term: **15 Years**
(21) Appl. No.: **29/531,894**
(22) Filed: **Jun. 30, 2015**
(51) **LOC (10) Cl.** **12-11**
(52) **U.S. Cl.**
USPC **D12/112; D12/85; D21/435**
(58) **Field of Classification Search**
USPC D12/1, 107, 110-114, 129, 130, 133, 85; D21/412, 414, 419, 423-428, 431-435; 280/29, 47.17, 47.25, 47.34, 47.38, 47.4, 280/87.01, 87.021, 87.05, 87.051, 200, 280/263, 266, 267, 270, 282, 288.4, 291, 280/293, 827, 828
CPC B62K 3/005; B62K 9/02; B62M 1/32; B62M 1/38
See application file for complete search history.

4,746,135 A * 5/1988 Oh B62K 9/02 280/262
4,789,173 A * 12/1988 Lofgren B62K 3/005 280/282
5,568,935 A * 10/1996 Mason B62K 3/005 280/266

(Continued)

FOREIGN PATENT DOCUMENTS

AU 314839 6/2007

OTHER PUBLICATIONS

Sooney, Pia. "The Green Machine—Childhood Bliss." *Totally 80s.*, Apr. 28, 2011 [online], [retrieved on Oct. 19, 2016]. Retrieved from the Internet <URL: <http://www.liketotally80s.com/2011/04/green-machine/>>.*

(Continued)

Primary Examiner — Darlington Ly
(74) *Attorney, Agent, or Firm* — Wood Herron & Evans LLP

(57) **CLAIM**

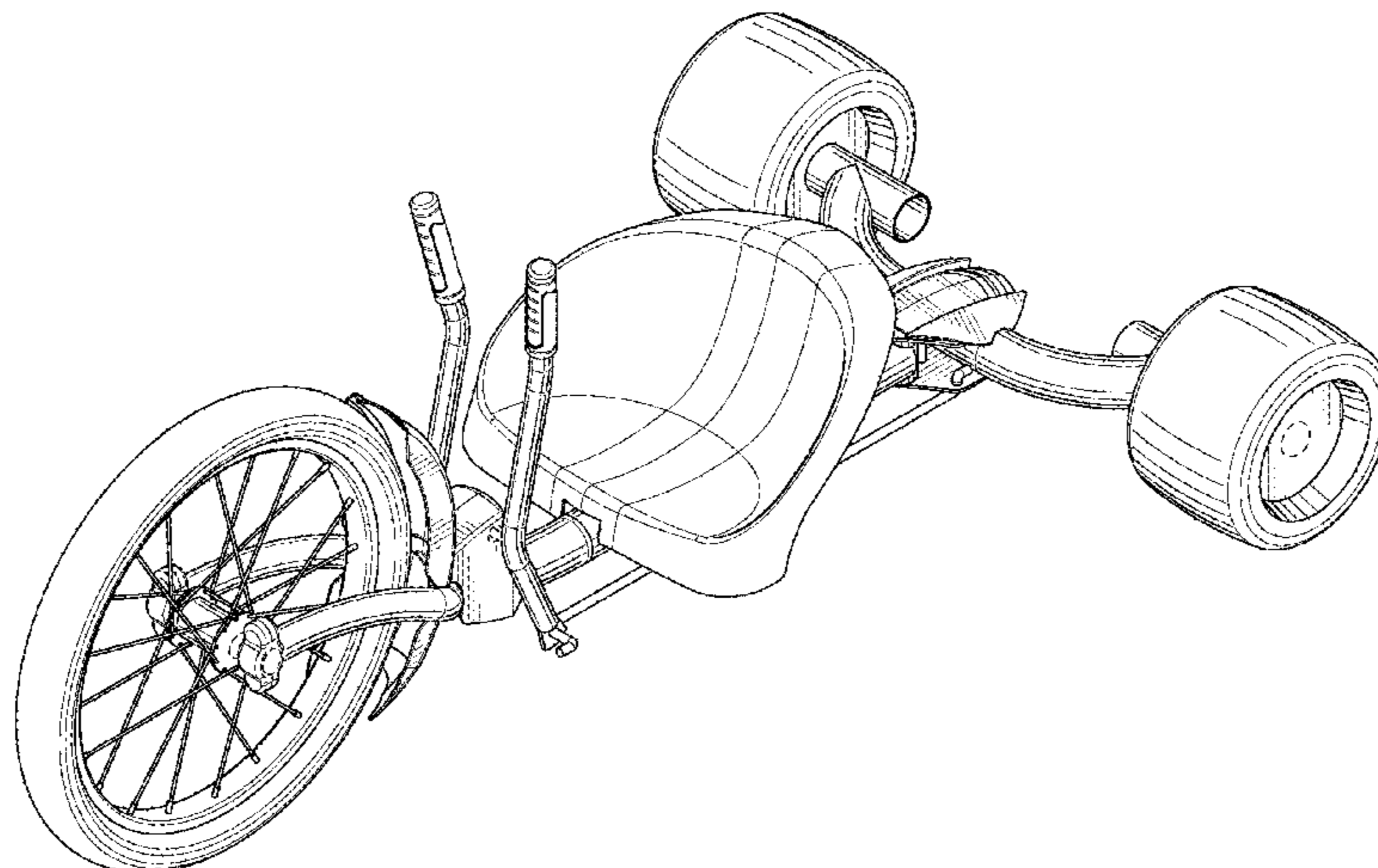
The ornamental design for a three wheeled vehicle, as shown and described.

DESCRIPTION

FIG. 1 is a front and right side isometric view of the three wheeled vehicle showing our new invention;
FIG. 2 is a rear and right side isometric view of the invention of FIG. 1;
FIG. 3 is a right side view of the invention of FIG. 1;
FIG. 4 is a left side view of the invention of FIG. 1;
FIG. 5 is a front view of the invention of FIG. 1;
FIG. 6 is a rear view of the invention of FIG. 1; and,
FIG. 7 is a top view of the invention of FIG. 1.
The broken lines in the drawings illustrate portions of the three wheeled vehicle that forms no part of the claimed design.

1 Claim, 6 Drawing Sheets

(56) **References Cited**
U.S. PATENT DOCUMENTS
3,712,400 A * 1/1973 Barnes B62D 61/08 180/215
4,103,921 A 8/1978 Brooks et al.
D251,264 S * 3/1979 Cook D12/112
4,497,502 A * 2/1985 Forbes B62D 9/02 280/240
4,580,802 A 4/1986 Herman et al.



(56)

References Cited

U.S. PATENT DOCUMENTS

D425,827 S * 5/2000 Robinson D12/112
 D450,631 S * 11/2001 Ridley D12/112
 D460,027 S 7/2002 Shafer et al.
 D465,439 S * 11/2002 van de Vrie D12/112
 6,581,947 B2 6/2003 Andrews et al.
 D483,420 S 12/2003 DeLong et al.
 D485,514 S * 1/2004 Berg D12/112
 D493,391 S * 7/2004 Gunter D12/112
 D498,709 S * 11/2004 Sramek D12/112
 D516,962 S * 3/2006 Oosterveer D12/112
 D517,453 S * 3/2006 Oosterveer D12/112
 D518,417 S * 4/2006 Oosterveer D12/112
 D521,427 S 5/2006 Tsai
 D540,726 S 4/2007 Caiazzo
 D544,419 S 6/2007 Caiazzo
 D573,926 S 7/2008 Jones
 D573,927 S 7/2008 Jones
 D582,489 S 12/2008 Badanjo
 7,552,934 B2 * 6/2009 Lee B62K 3/005
 280/266
 D608,250 S * 1/2010 Van De Vrie D12/112
 D626,038 S 10/2010 Li
 D653,996 S * 2/2012 Webster D12/112
 D654,002 S 2/2012 Owyang
 D657,723 S 4/2012 Gohr et al.
 8,292,315 B1 * 10/2012 Pelkonen B62K 5/06
 280/266
 D682,746 S * 5/2013 Doherty D12/112

D690,776 S 10/2013 Doherty et al.
 D692,505 S * 10/2013 Jiang D12/112
 D692,506 S * 10/2013 Jiang D12/112
 D693,415 S * 11/2013 Doherty D12/112
 9,278,723 B2 * 3/2016 Merette B62K 3/005
 2011/0248467 A1 * 10/2011 Ball B62K 3/005
 280/259

OTHER PUBLICATIONS

Johnson, Mike. "My Huffly and Marx Green Machines." YouTube., Jan. 22, 2012 [online], [retrieved on Oct. 19, 2016]. Retrieved from the Internet <URL: <https://www.youtube.com/watch?v=r1diatdFLEE>>.*
 MyFamilyExercise. "Huffly Green Machine Review." YouTube., Apr. 9, 2012 [online], [retrieved on Oct. 19, 2016]. Retrieved from the Internet <URL: <https://www.youtube.com/watch?v=z5JuqIQ-OiA>>.*
 Tony Hoying, Declaration of Tony Hoying including Exhibits A-G, Aug. 29, 2012.
<http://road.cc/content/news/45128-eurobike-faves-specialized-green-machine->, Product images, Published Oct. 1, 2011.
<http://www.target-catalogue.com/catalog/target-catalogue-australia-biggest-toy-sale-43.html>, Product Image, Published Jun. 21, 2012.

* cited by examiner

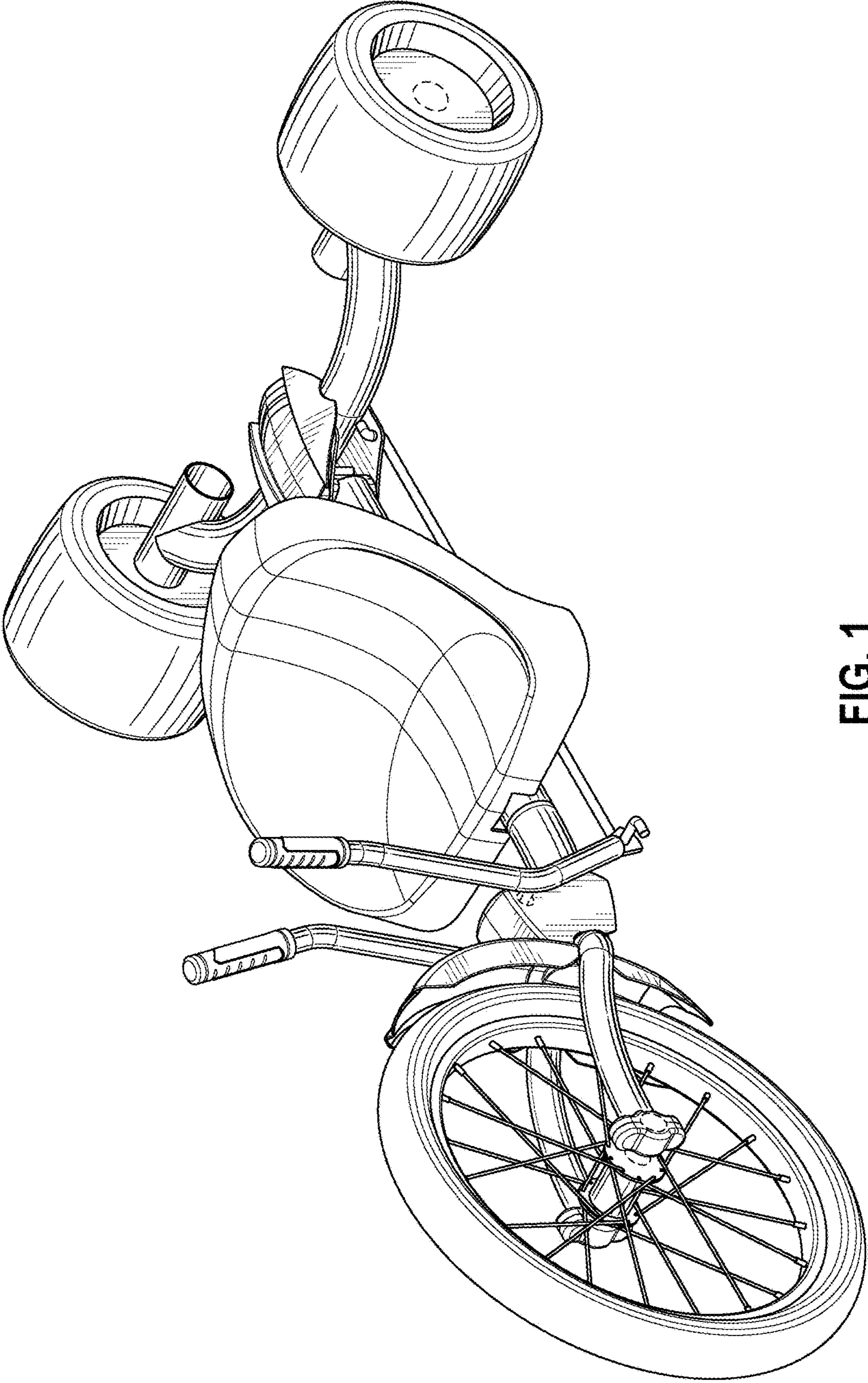


FIG. 1

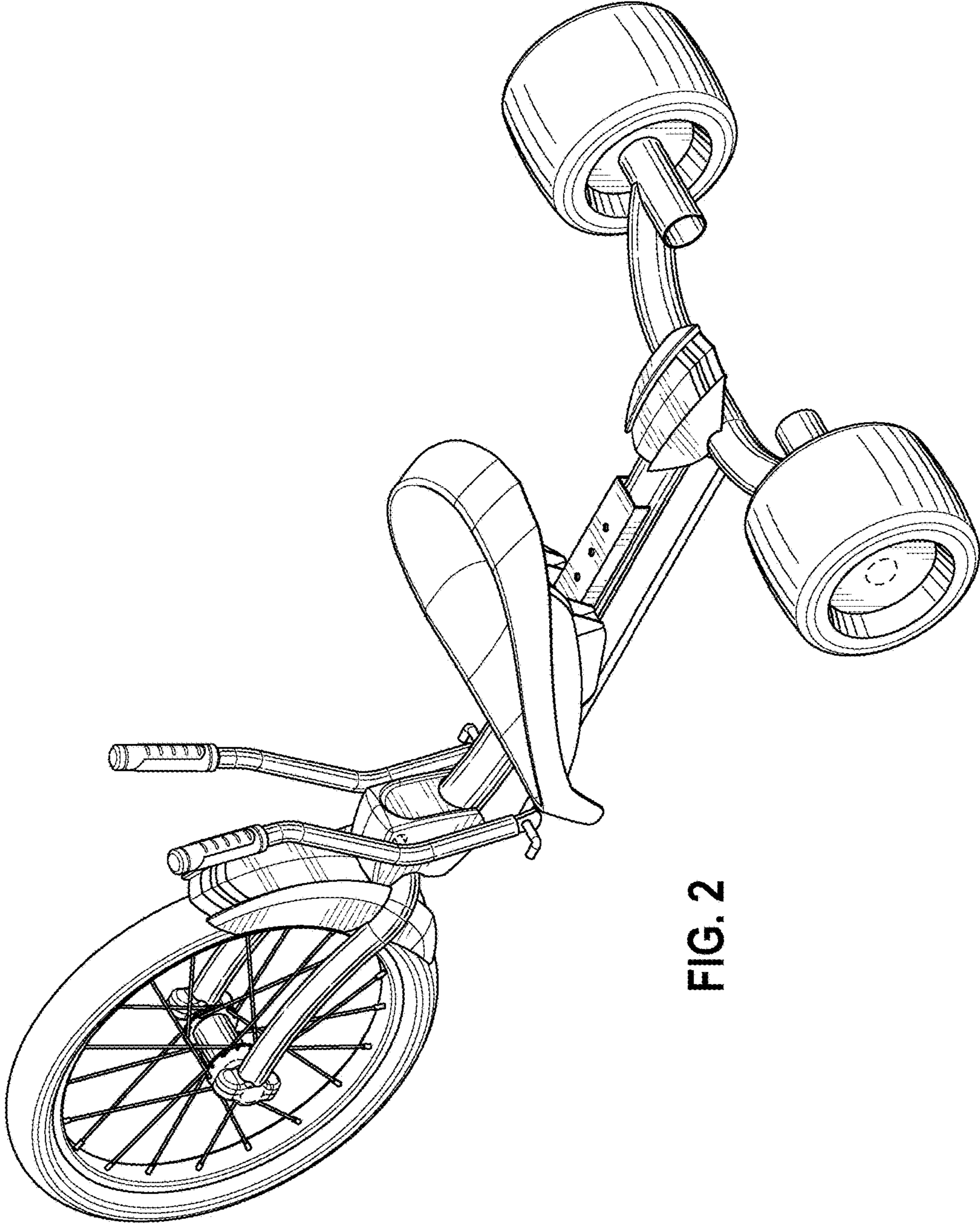


FIG. 2

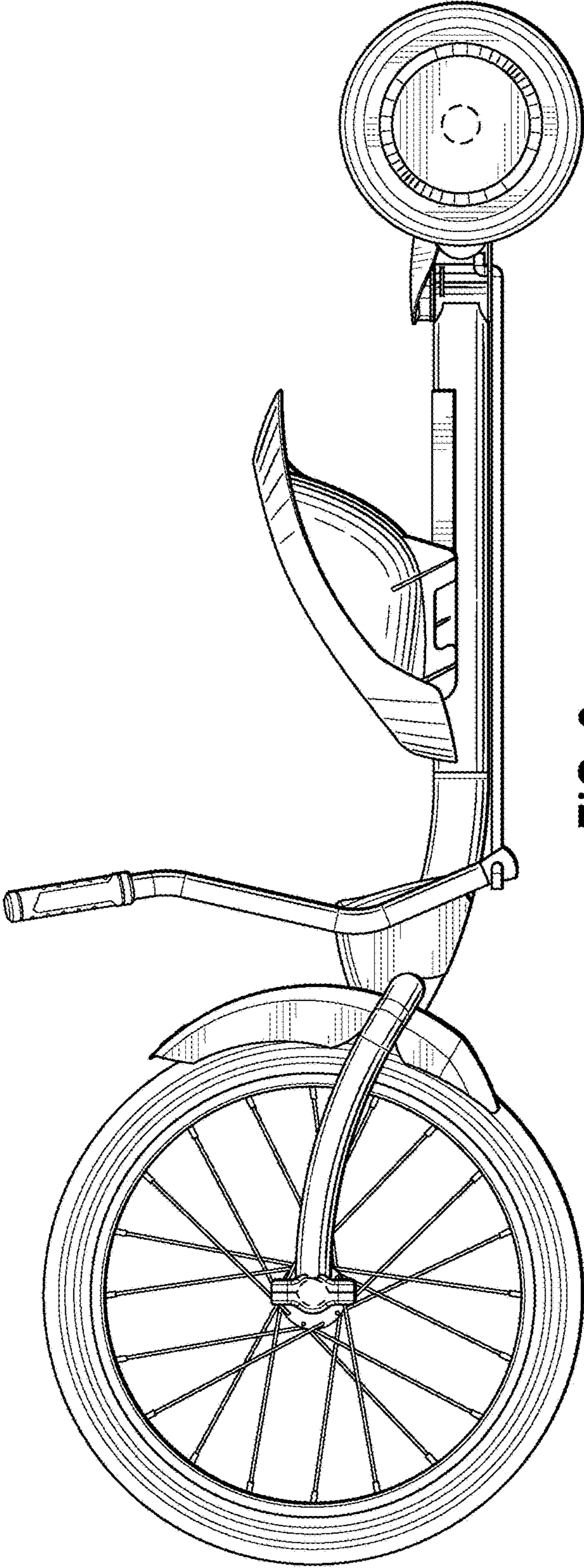


FIG. 3

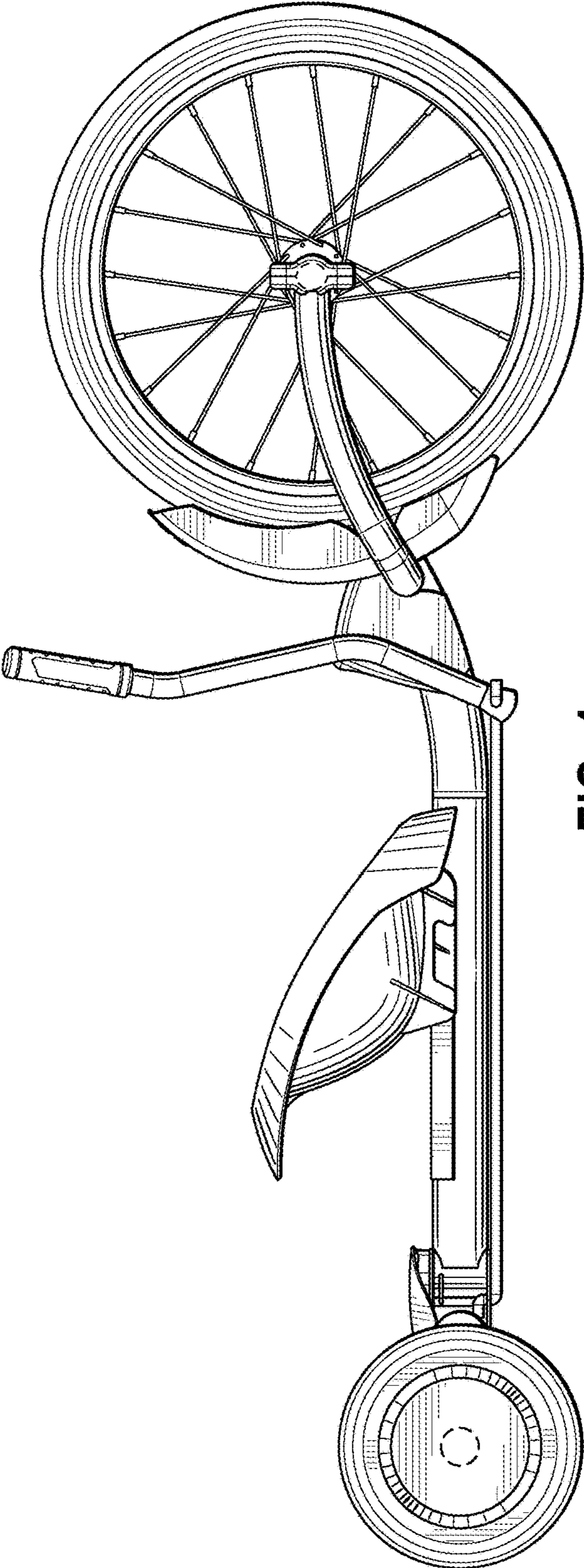


FIG. 4

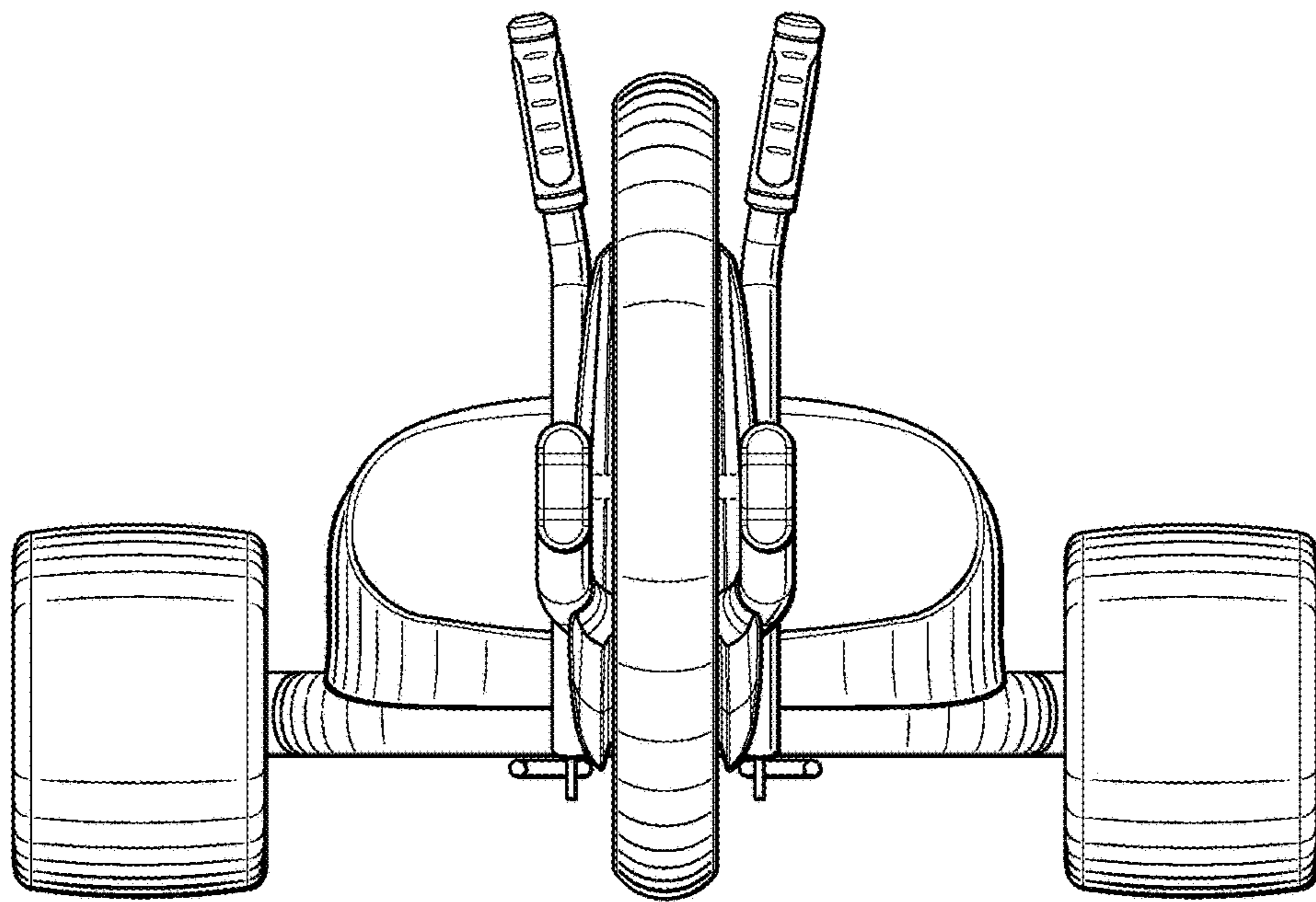


FIG. 5

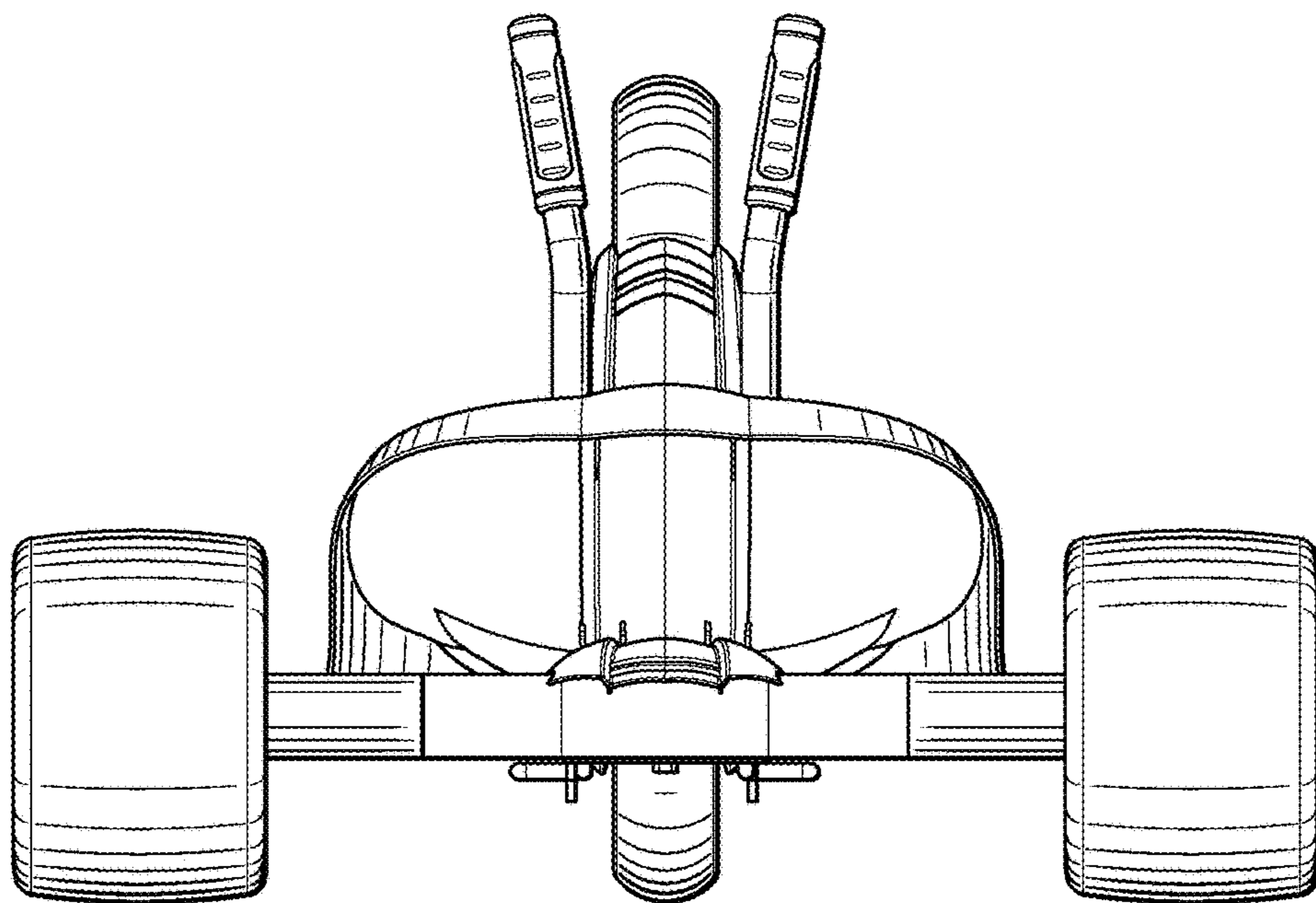


FIG. 6

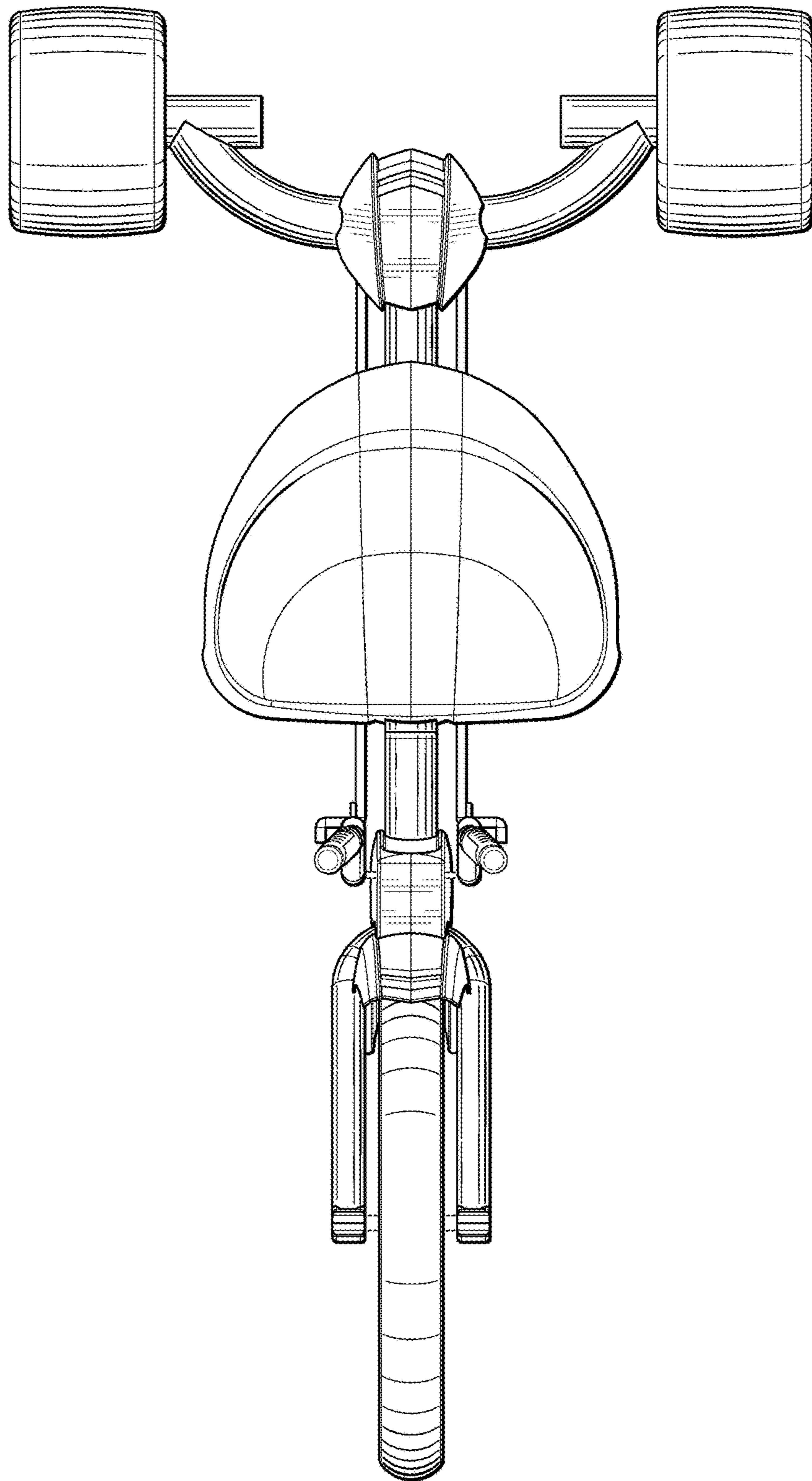


FIG. 7