



US00D776015S

(12) **United States Design Patent**
Teal et al.

(10) **Patent No.:** **US D776,015 S**
(45) **Date of Patent:** **** Jan. 10, 2017**

(54) **ELLIPTICAL BICYCLE FRAME**

(71) Applicant: **PT Motion Works, Inc.**, Solana Beach, CA (US)

(72) Inventors: **Brent C. Teal**, Solana Beach, CA (US);
Bryan L. Pate, Atherton, CA (US)

(73) Assignee: **PT MOTION WORKS, INC.**, Solana Beach, CA (US)

(**) Term: **15 Years**

(21) Appl. No.: **29/547,750**

(22) Filed: **Dec. 7, 2015**

(51) **LOC (10) Cl.** **12-11**

(52) **U.S. Cl.**

USPC **D12/111**

(58) **Field of Classification Search**

USPC D12/107, 111, 117; D21/663, 664, 665

(Continued)

(56) **References Cited**

U.S. PATENT DOCUMENTS

5,591,107 A * 1/1997 Rodgers, Jr. A63B 71/0622
482/51
6,439,590 B1 * 8/2002 Liang B62M 1/26
280/221

(Continued)

OTHER PUBLICATIONS

“ELLIPTIGO Arc—The Lightest, Most Affordable Elliptical Bike.”
Elliptigo Brochure., Dec. 15, 2015 [online], [retrieved on Nov. 8,
2016]. Retrieved from the Internet <URL: http://shop.elliptigo.com/Arc-Bike?_ga=1.5270131.1945047047.1478621231>.*

(Continued)

Primary Examiner — Darlington Ly
(74) *Attorney, Agent, or Firm* — Procopio Cory
Hargreaves and Savitch LLP

(57) **CLAIM**

The ornamental design for an elliptical bicycle frame, as shown and described.

DESCRIPTION

FIG. 1 is a front and left-side perspective view of an elliptical bicycle frame showing our new design in accordance to a first embodiment;

FIG. 2 is a front elevation view thereof;

FIG. 3 is a rear elevation view thereof;

FIG. 4 is a right-side elevation view thereof;

FIG. 5 is a left-side elevation view thereof;

FIG. 6 is a top plan view thereof;

FIG. 7 is a bottom plan view thereof; and

FIG. 8 is a rear and right-side perspective view thereof.

FIG. 9 is a front and left-side perspective view of an elliptical bicycle frame showing our new design in accordance to a second embodiment;

FIG. 10 is a front elevation view thereof;

FIG. 11 is a rear elevation view thereof;

FIG. 12 is a right-side elevation view thereof;

FIG. 13 is a left-side elevation view thereof;

FIG. 14 is a top plan view thereof;

FIG. 15 is a bottom plan view thereof; and

FIG. 16 is a rear and right-side perspective view thereof.

FIG. 17 is a front and left-side perspective view of an elliptical bicycle frame showing our new design in accordance to a third embodiment;

FIG. 18 is a front elevation view thereof;

FIG. 19 is a rear elevation view thereof;

FIG. 20 is a right-side elevation view thereof;

FIG. 21 is a left-side elevation view thereof;

FIG. 22 is a top plan view thereof;

FIG. 23 is a bottom plan view thereof; and

FIG. 24 is a rear and right-side perspective view thereof.

FIG. 25 is a front and left-side perspective view of an elliptical bicycle frame showing our new design in accordance to a fourth embodiment;

FIG. 26 is a front elevation view thereof;

FIG. 27 is a rear elevation view thereof;

FIG. 28 is a right-side elevation view thereof;

FIG. 29 is a left-side elevation view thereof;

FIG. 30 is a top plan view thereof;

(Continued)

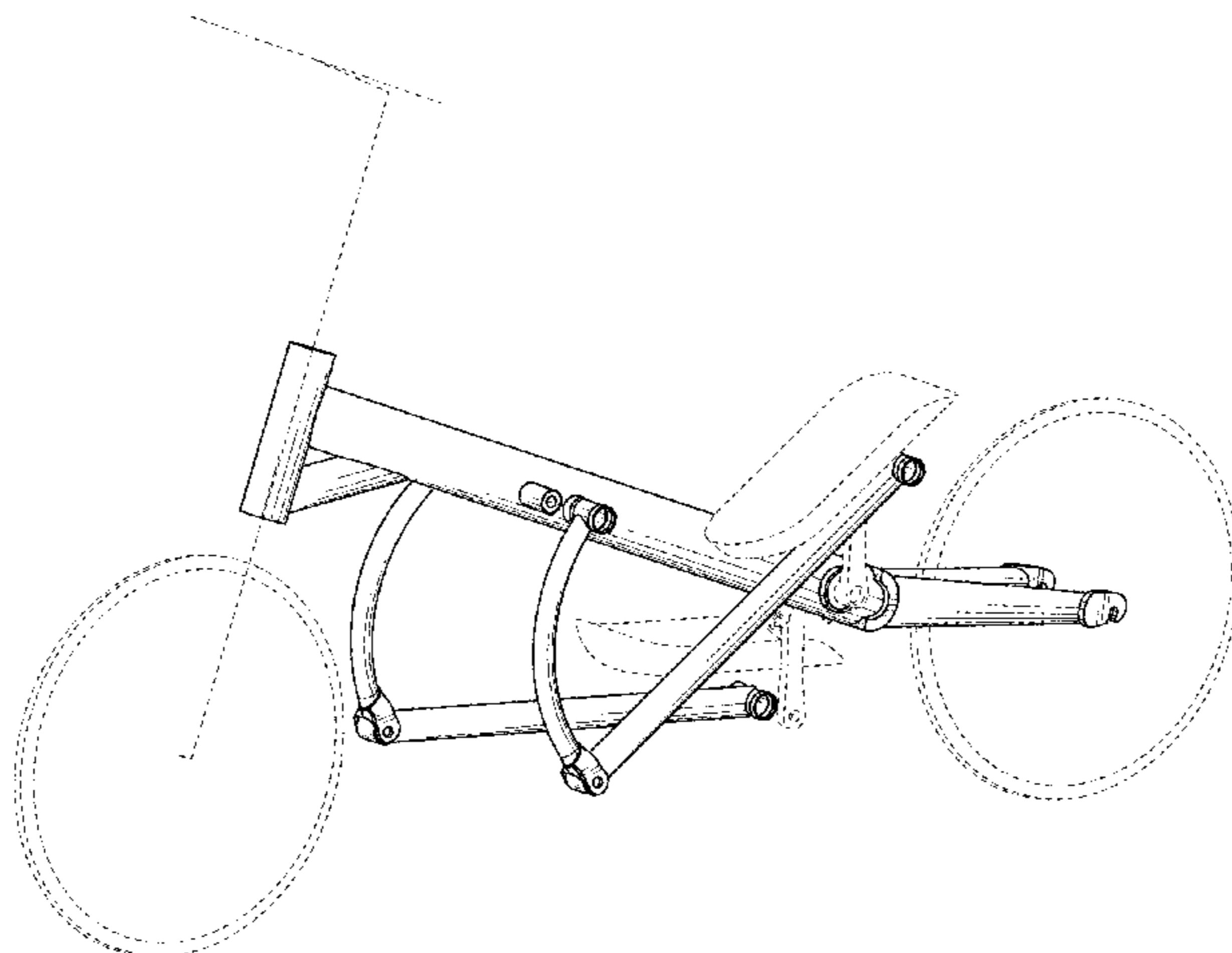


FIG. 31 is a bottom plan view thereof; and, FIG. 32 is a rear and right-side perspective view thereof. The broken lines shown in FIGS. 1-32 are included for the purpose of illustrating environmental elements only and form no part of the claimed design.

1 Claim, 20 Drawing Sheets

(58) **Field of Classification Search**

CPC B62K 3/002; B62K 5/02; B62M 1/26
See application file for complete search history.

(56) **References Cited**

U.S. PATENT DOCUMENTS

6,648,353	B1 *	11/2003	Cabal	B62M 1/26	280/220
D526,250	S *	8/2006	Trumble	D12/111	
7,717,446	B2 *	5/2010	Pate	B62K 3/002	280/220
D633,416	S *	3/2011	Teal	D12/111	
D633,827	S *	3/2011	Teal	D12/111	
D638,485	S *	5/2011	Scolari	D21/423	
D638,500	S *	5/2011	Scolari	D21/423	
D645,792	S *	9/2011	Bai	D12/111	
8,128,111	B2 *	3/2012	Scolari	B62M 1/26	280/221
8,162,337	B2 *	4/2012	Teal	B62K 3/002	280/221
D688,164	S *	8/2013	Calderon	D12/111	
D696,984	S *	1/2014	Haupt	D12/111	

8,944,452	B1 *	2/2015	Scolari	B62K 3/002	280/221
D731,930	S *	6/2015	Forrellad	D12/110	
D737,727	S *	9/2015	Brewer	D12/111	
D737,728	S *	9/2015	Brewer	D12/111	
D738,262	S *	9/2015	Brewer	D12/111	
D738,790	S *	9/2015	Brewer	D12/111	
D738,791	S *	9/2015	Brewer	D12/111	
D738,792	S *	9/2015	Brewer	D12/111	
2003/0193158	A1 *	10/2003	Hung	B62M 1/26	280/221
2008/0116655	A1 *	5/2008	Pate	B62M 1/26	280/221
2015/0367910	A1 *	12/2015	Brewer	B62M 1/26	280/221
2016/0046351	A1 *	2/2016	Thomas	B62M 1/26	280/256

OTHER PUBLICATIONS

Bri M. "Zike Z600 Wingflyer Scooter Review." Balance Bikes & Reviews., Jan. 25, 2015 [online], [retrieved on Nov. 8, 2016]. Retrieved from the Internet <URL: <http://balancebikesandreviews.com/zike-z600-wingflyer-scooter-review/>>.*

Ridden, Paul. "New ElliptiGO 3C 'running on air' bike released." New Atlas., May 27, 2011 [online], [retrieved on Nov. 8, 2016]. Retrieved from the Internet <URL: <http://newatlas.com/elliptigo-announces-new-3c-elliptical-bike/18736/>>.*

"Elliptical Bicycle." Toxel., Aug. 2, 2011 [online], [retrieved on Nov. 8, 2016]. Retrieved from the Internet <URL: <http://www.toxel.com/tech/2010/08/02/elliptical-bicycle/>>.*

Trials Bike, [online], 2011, [search on May 3, 2016, Internet <URL: <http://ep4.pinkbike.org/p3pb7074238/p3pb7074238.jpg>> in 1 page.

* cited by examiner

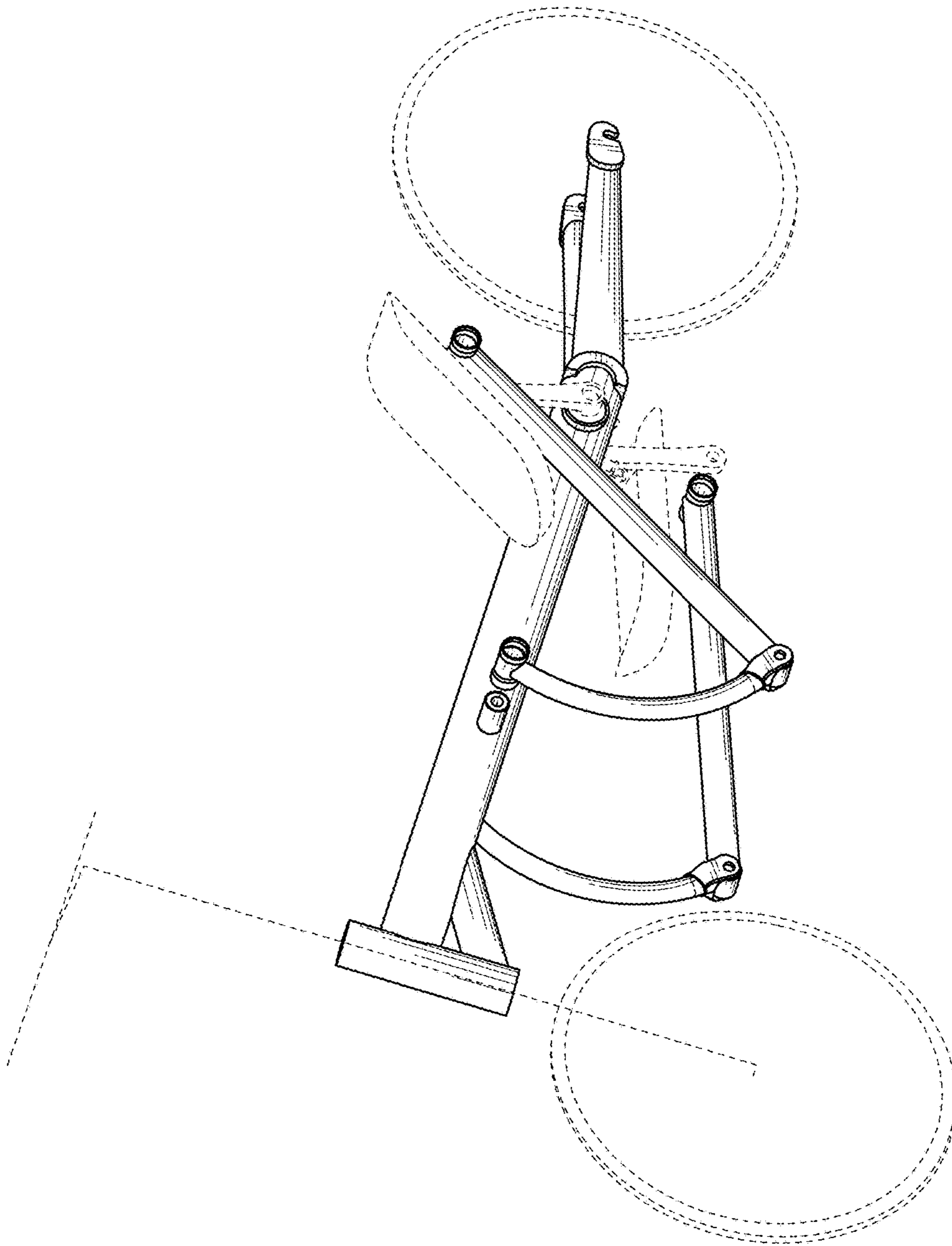


FIG. 1

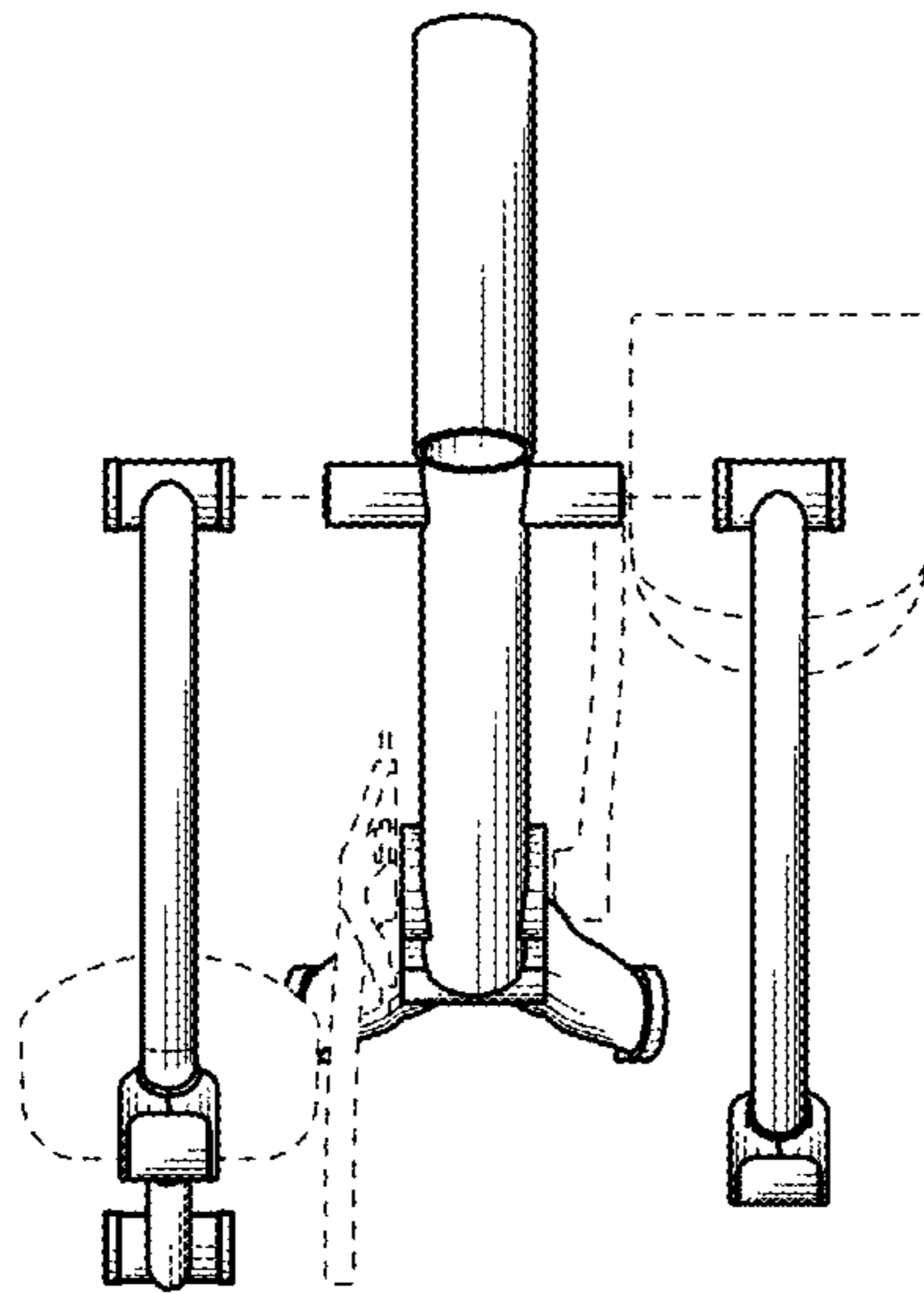


FIG. 2

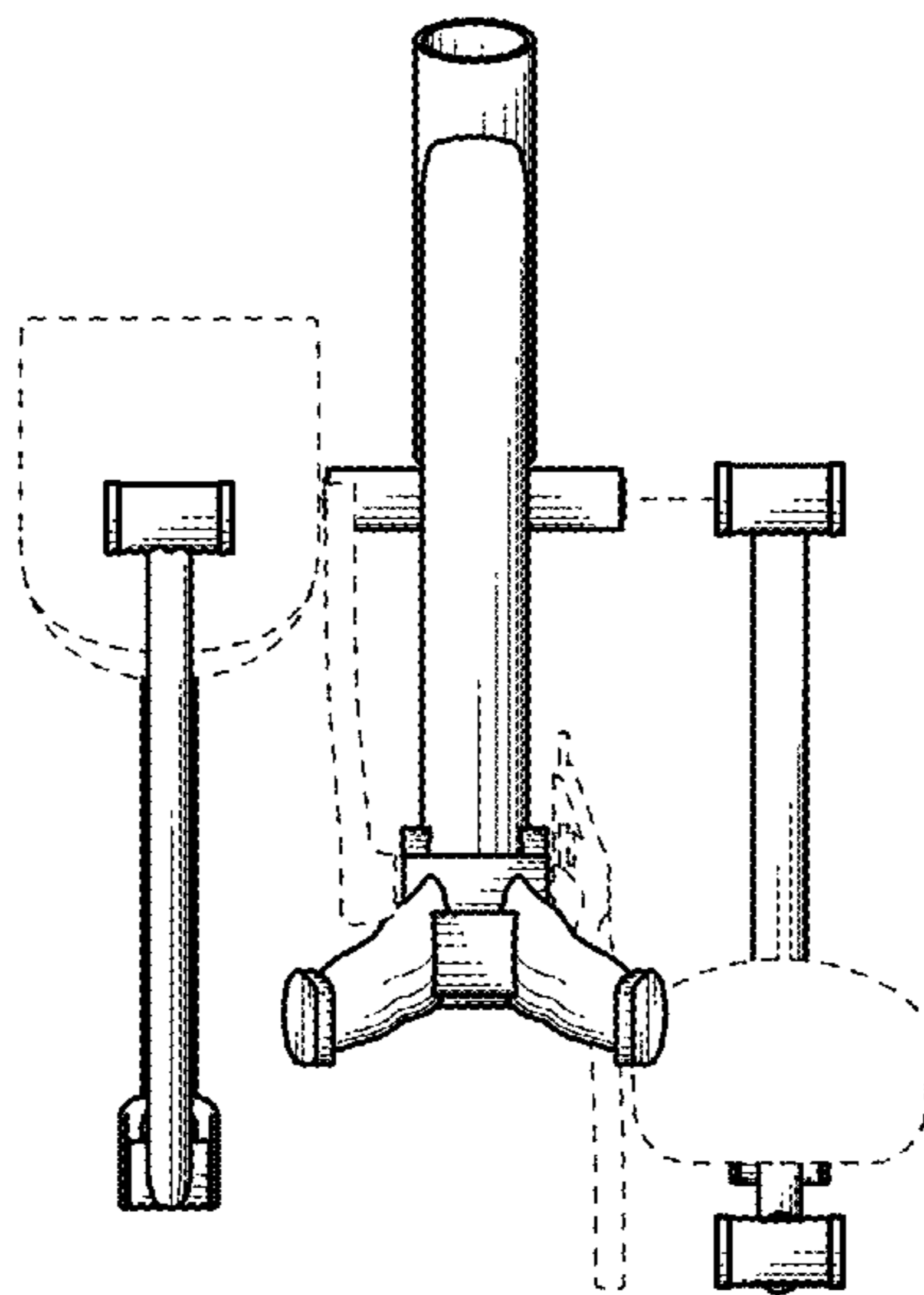


FIG. 3

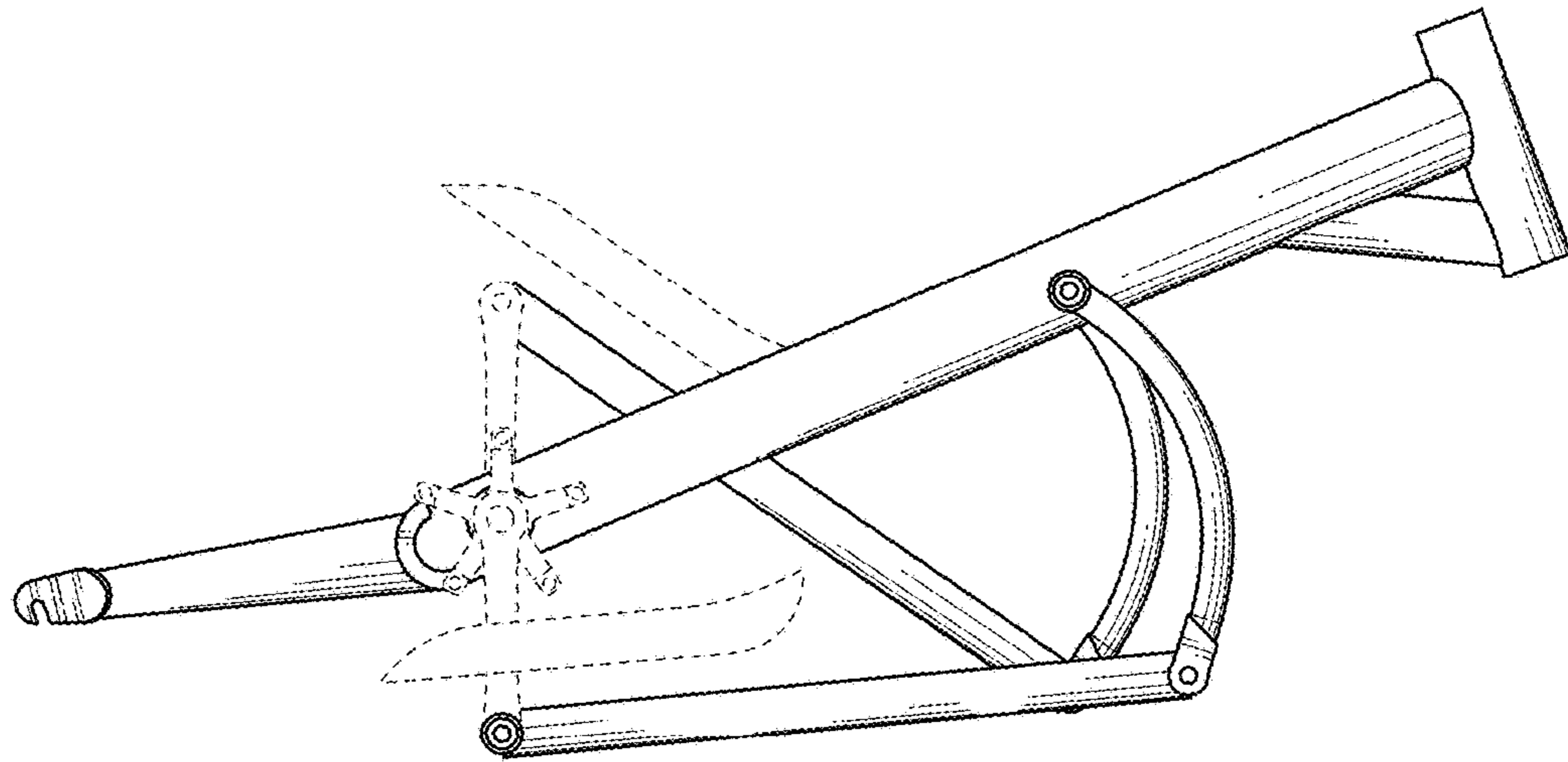


FIG. 4

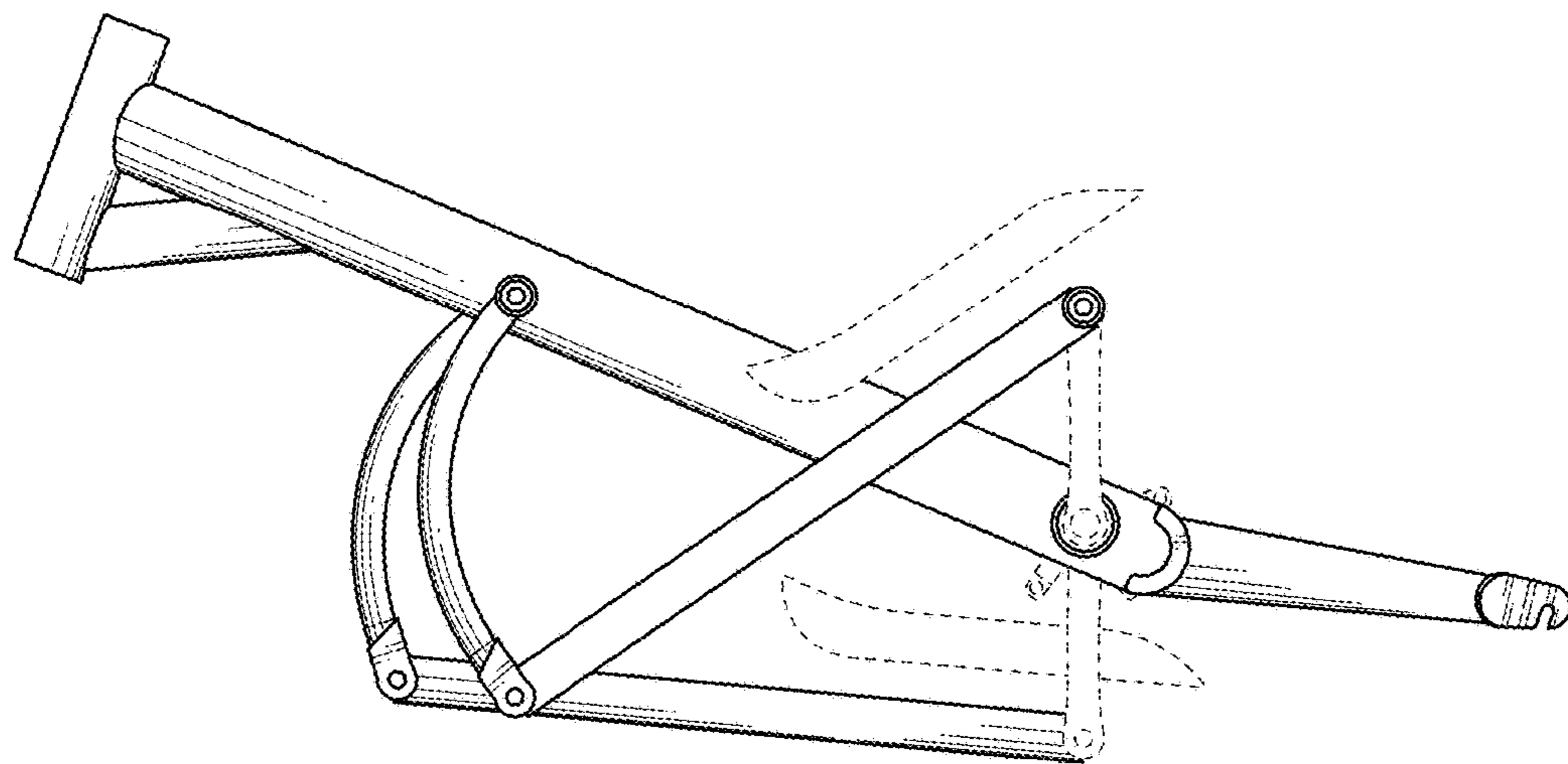


FIG. 5

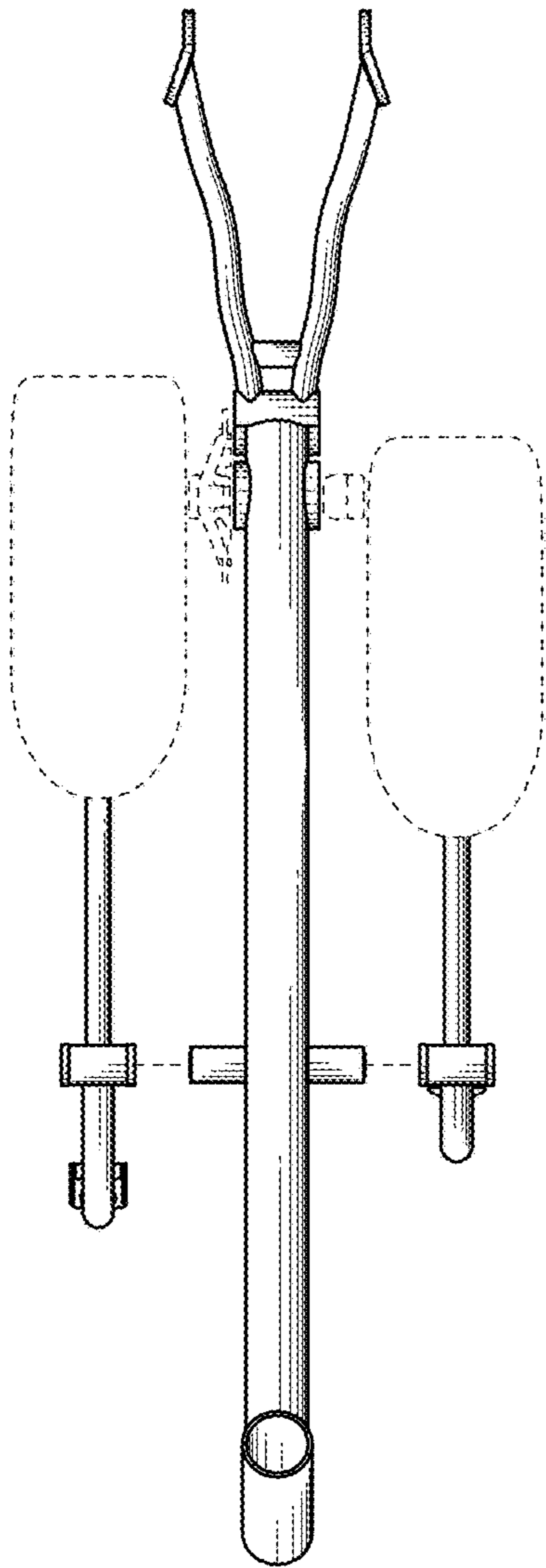


FIG. 6

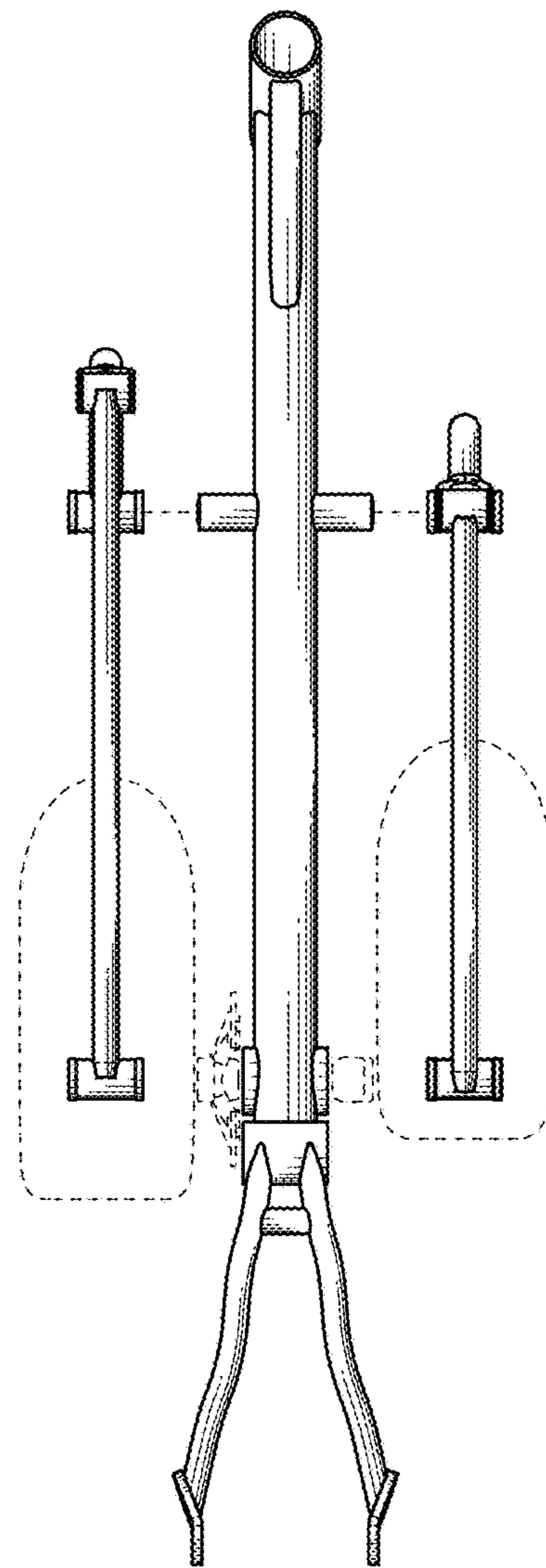


FIG. 7

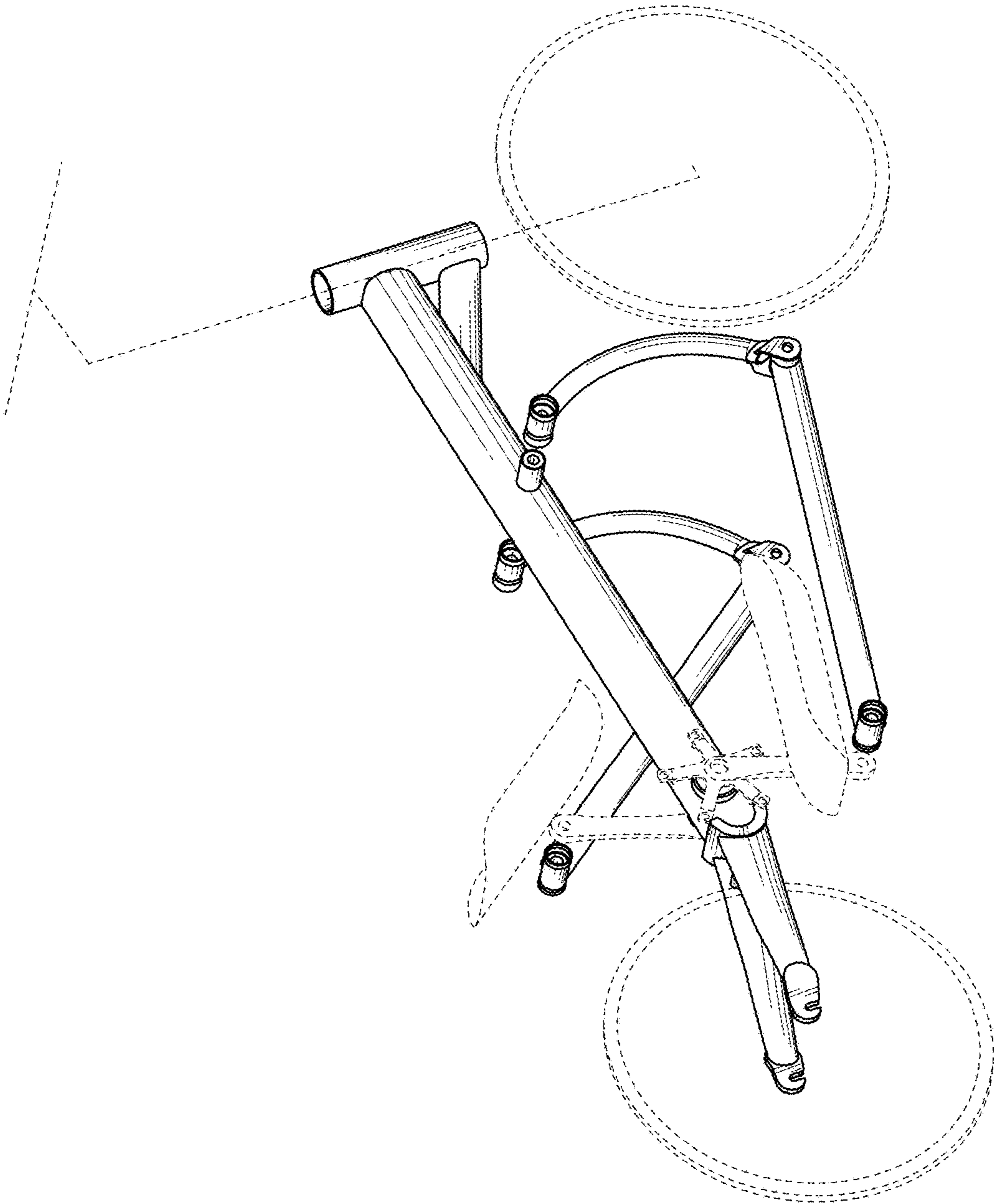


FIG. 8

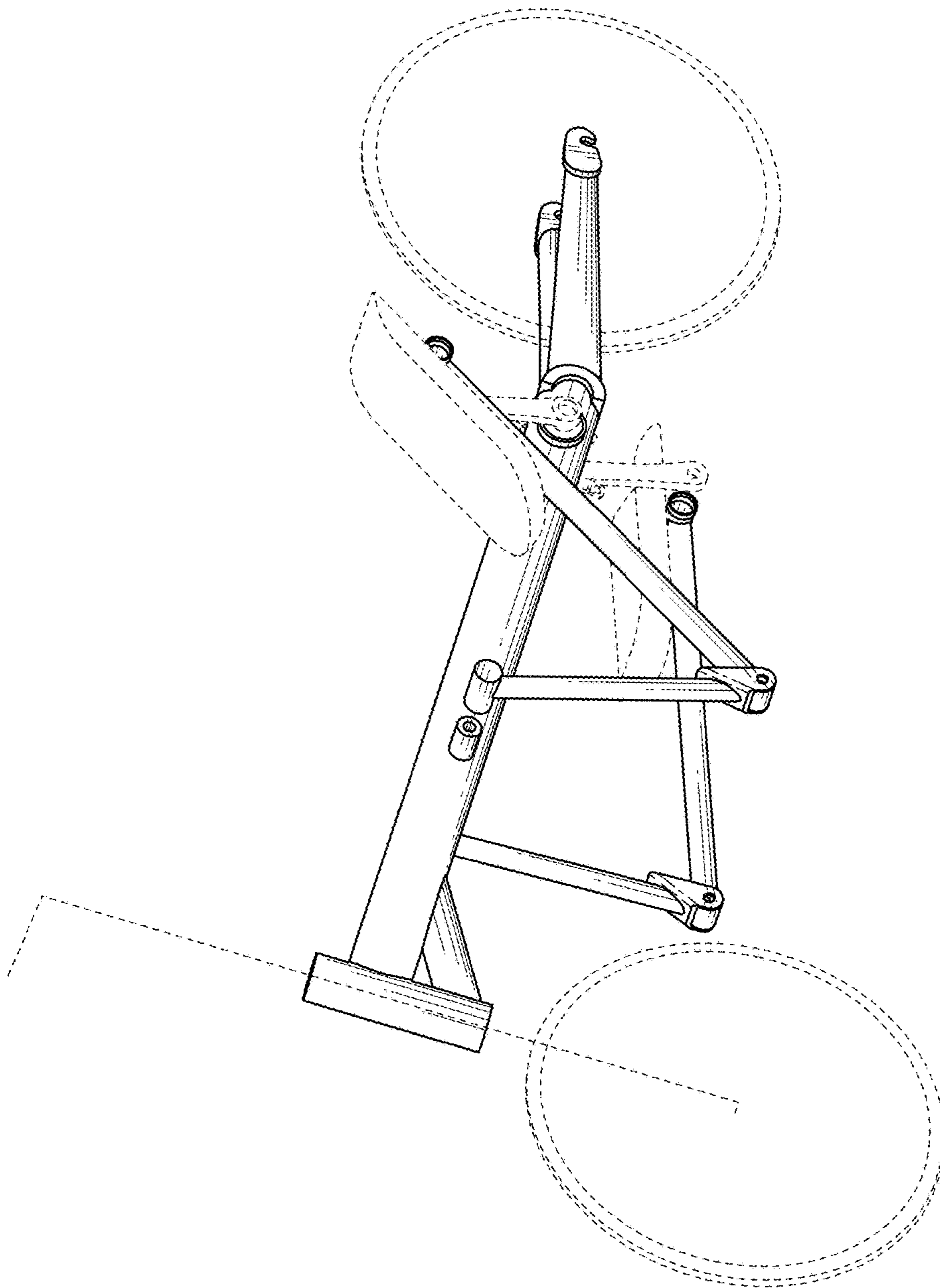


FIG. 9

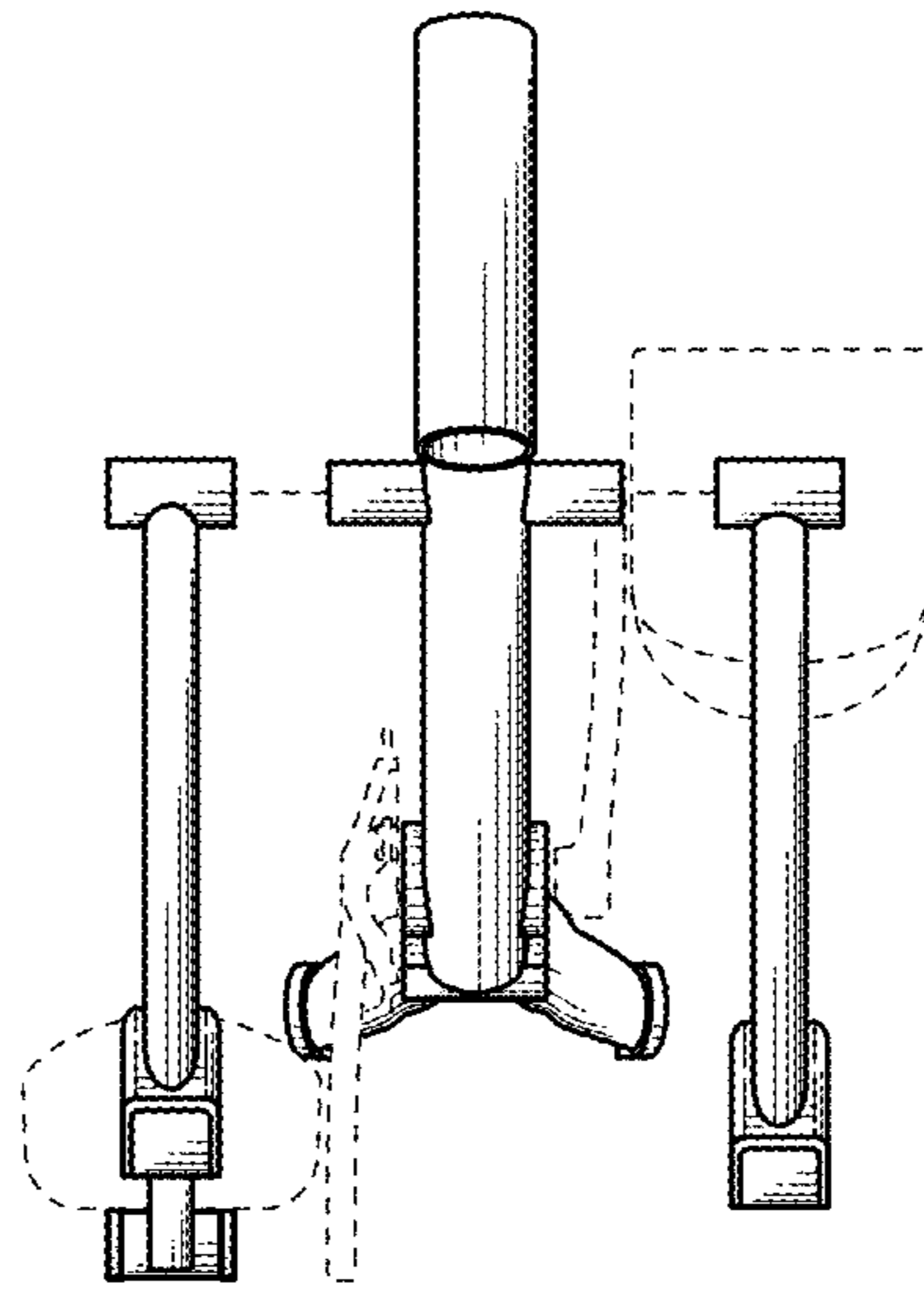


FIG. 10

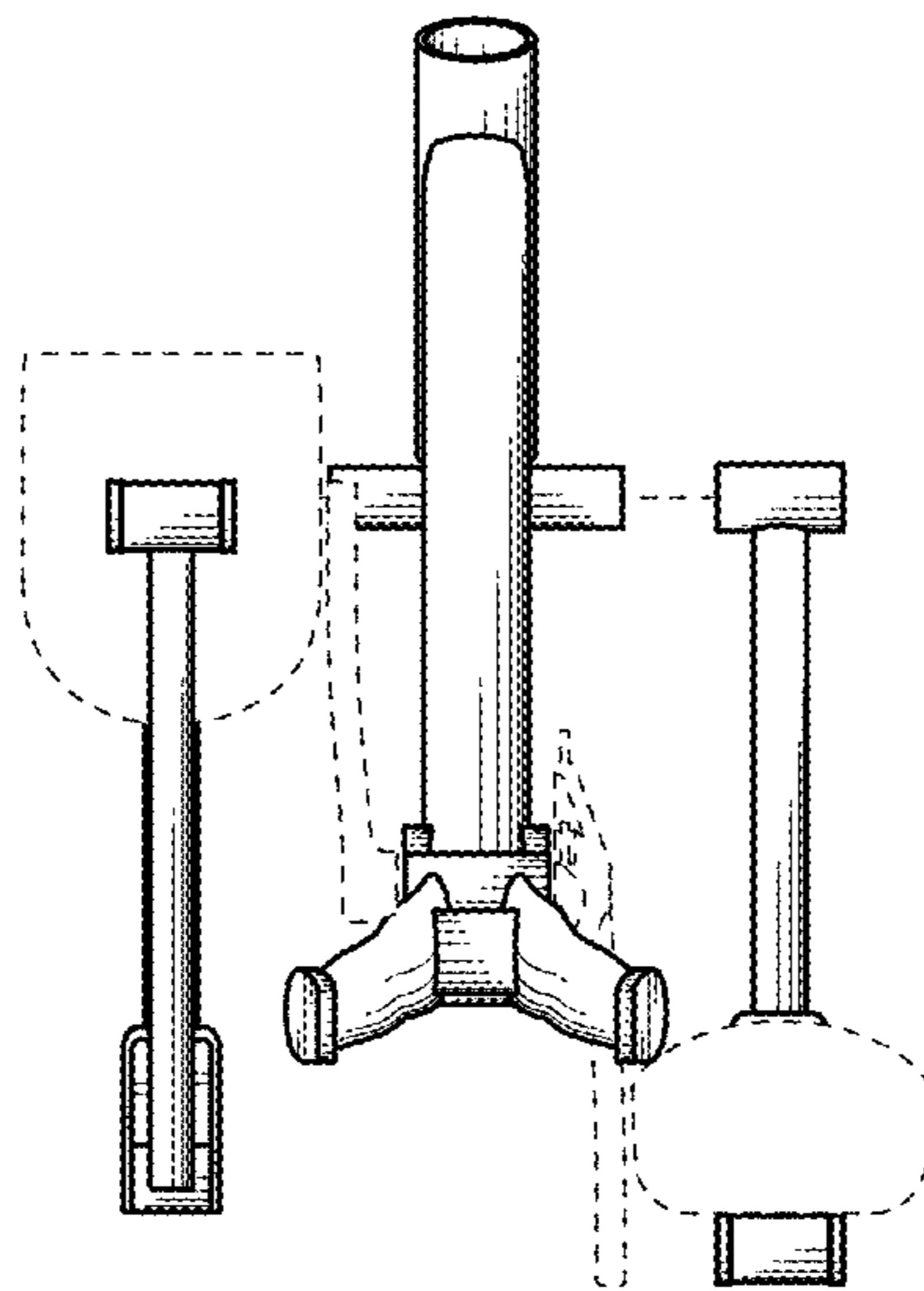


FIG. 11

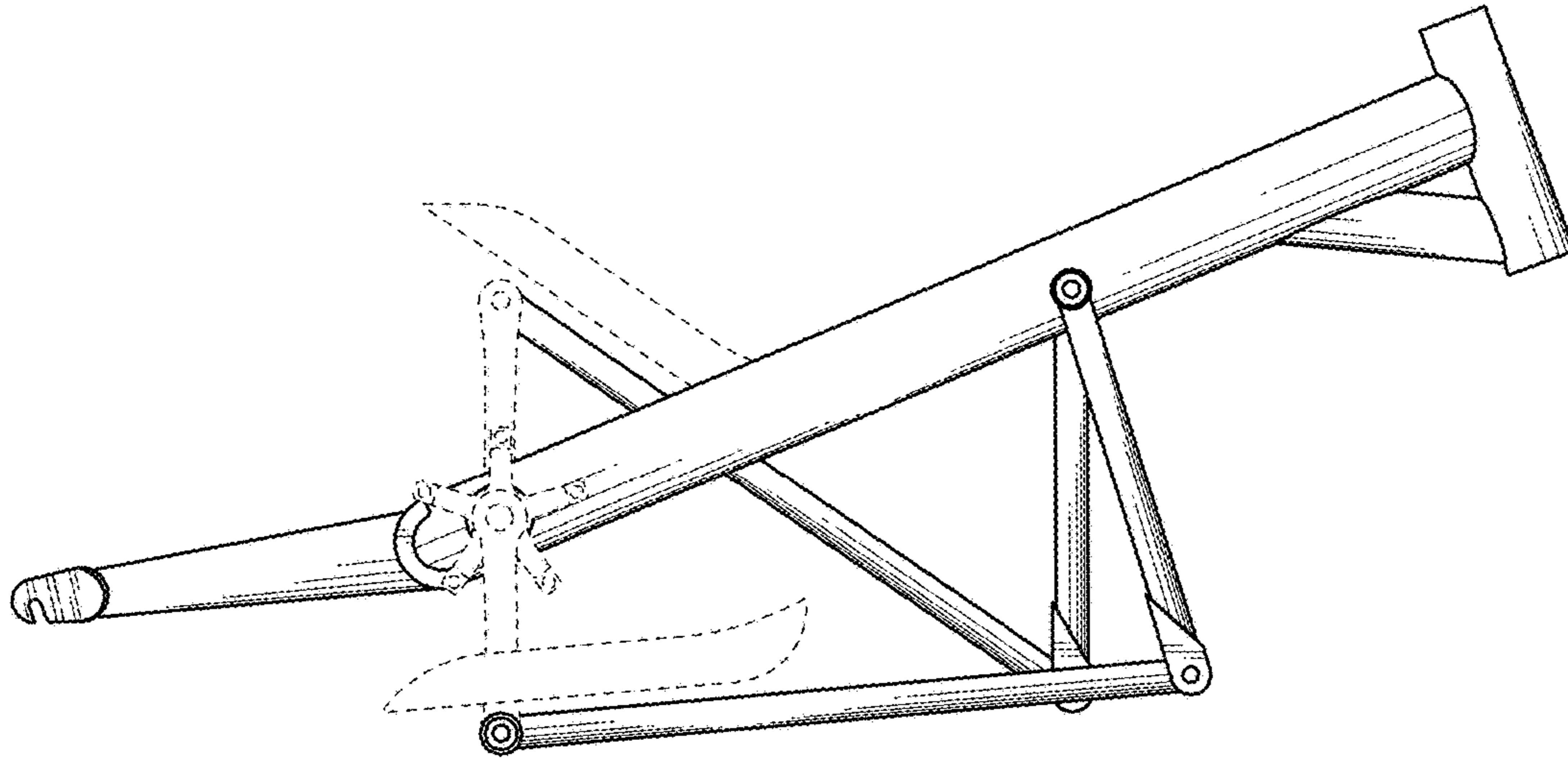


FIG. 12

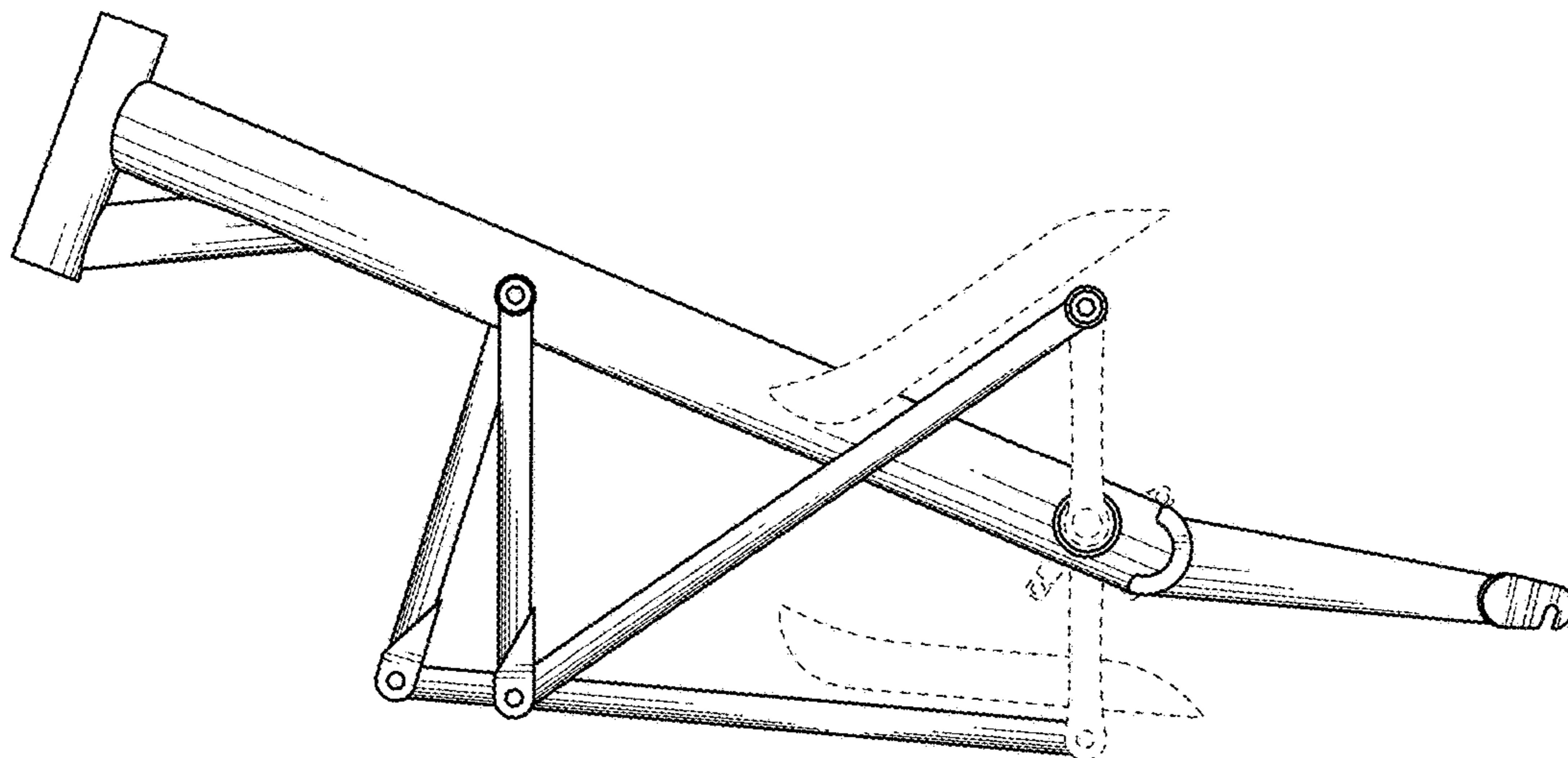


FIG. 13

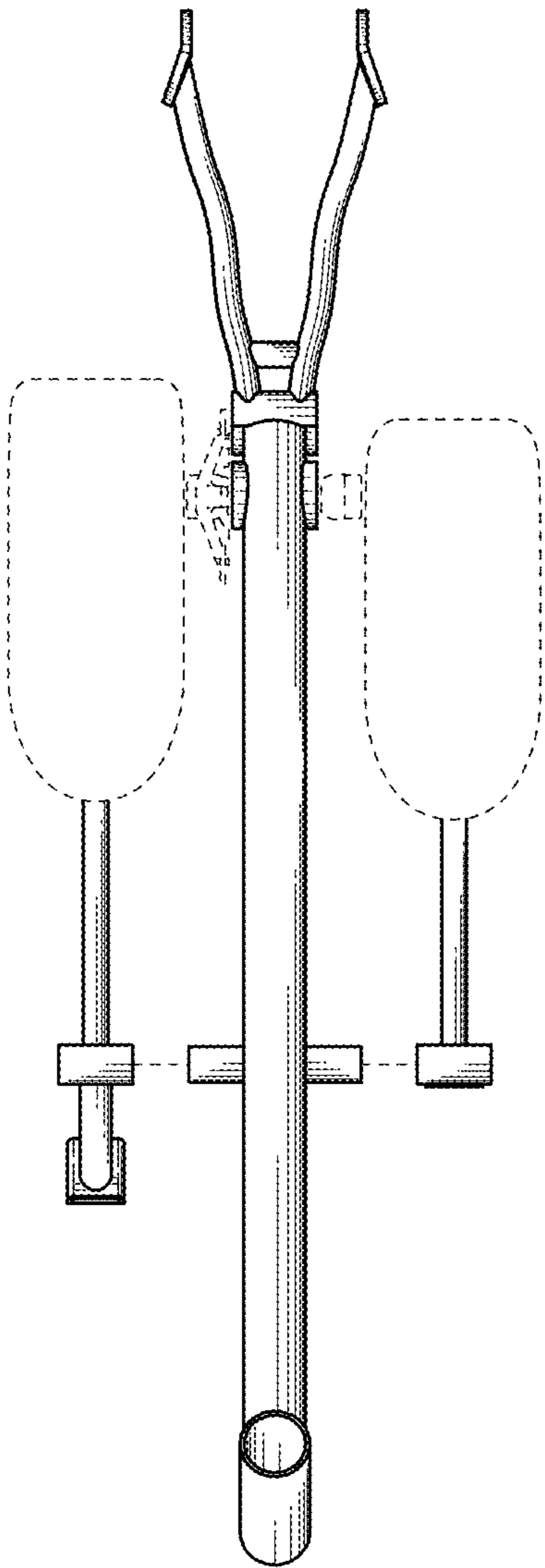


FIG. 14

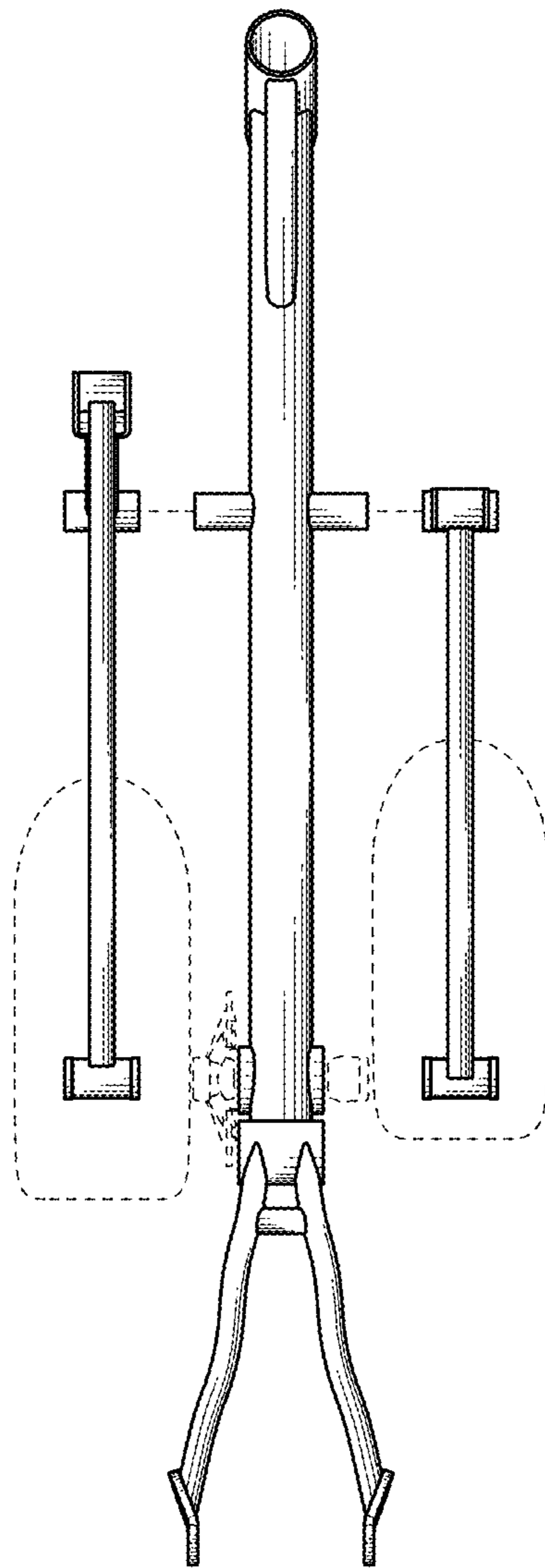


FIG. 15

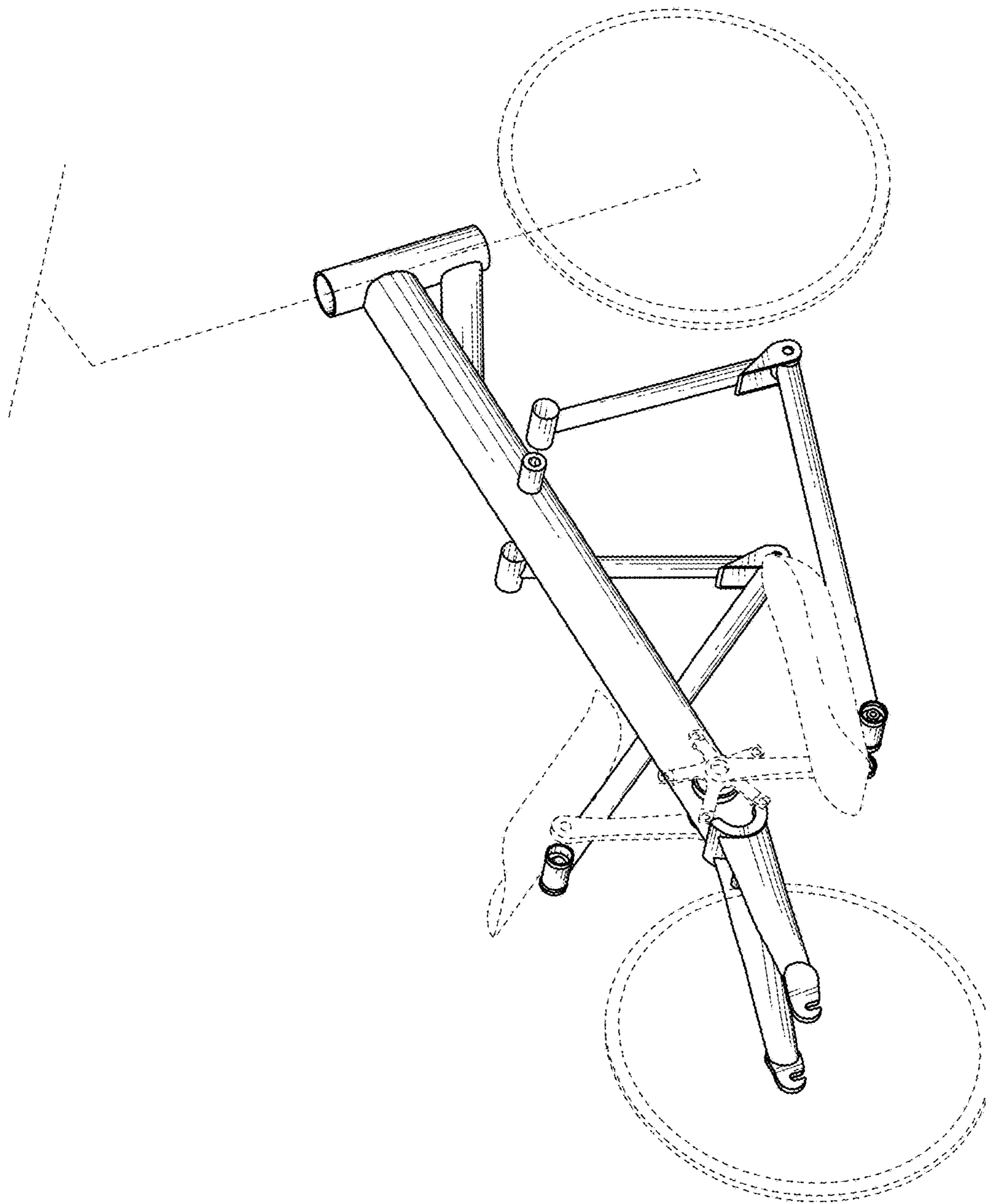


FIG. 16

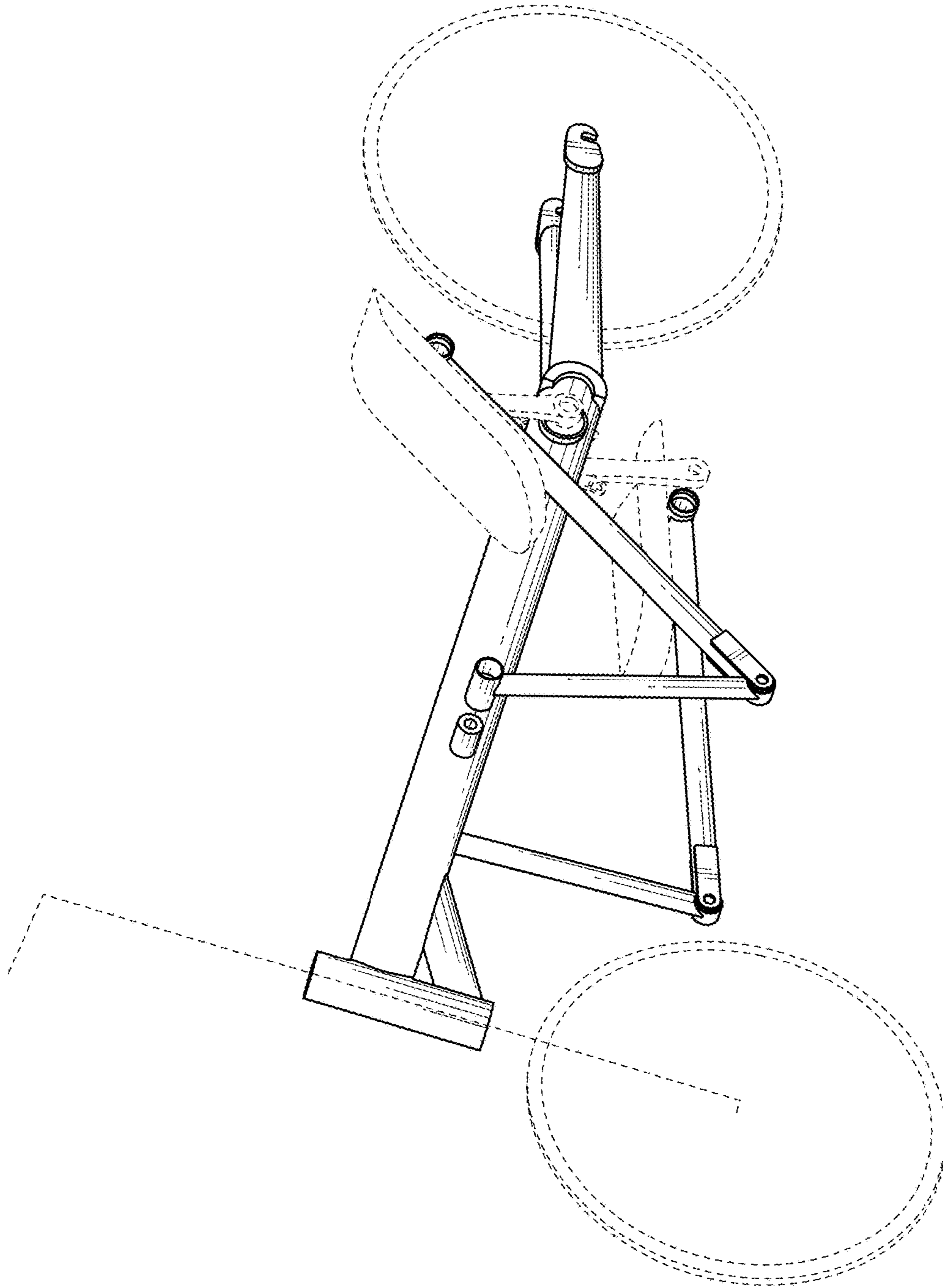


FIG. 17

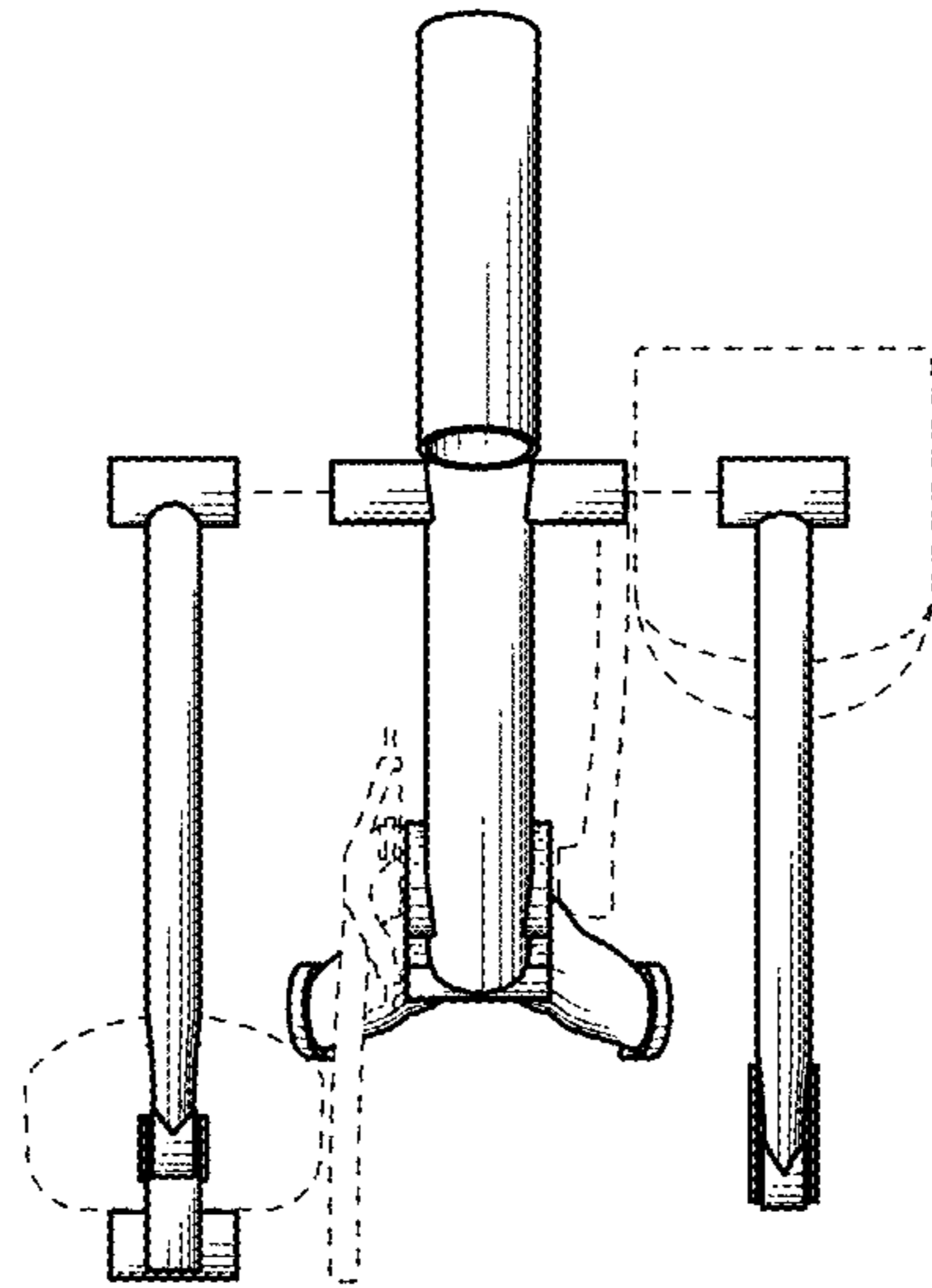


FIG. 18

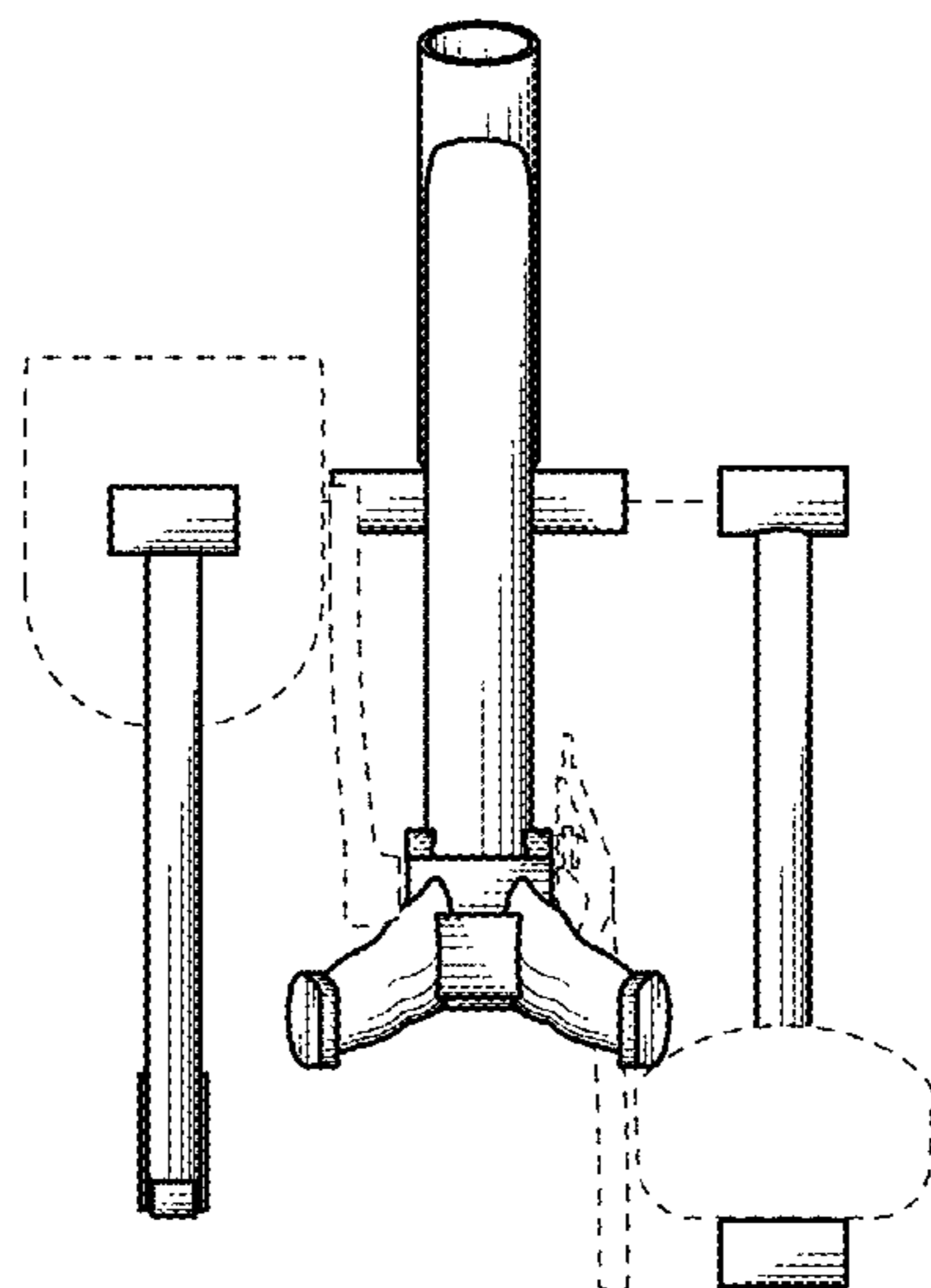


FIG. 19

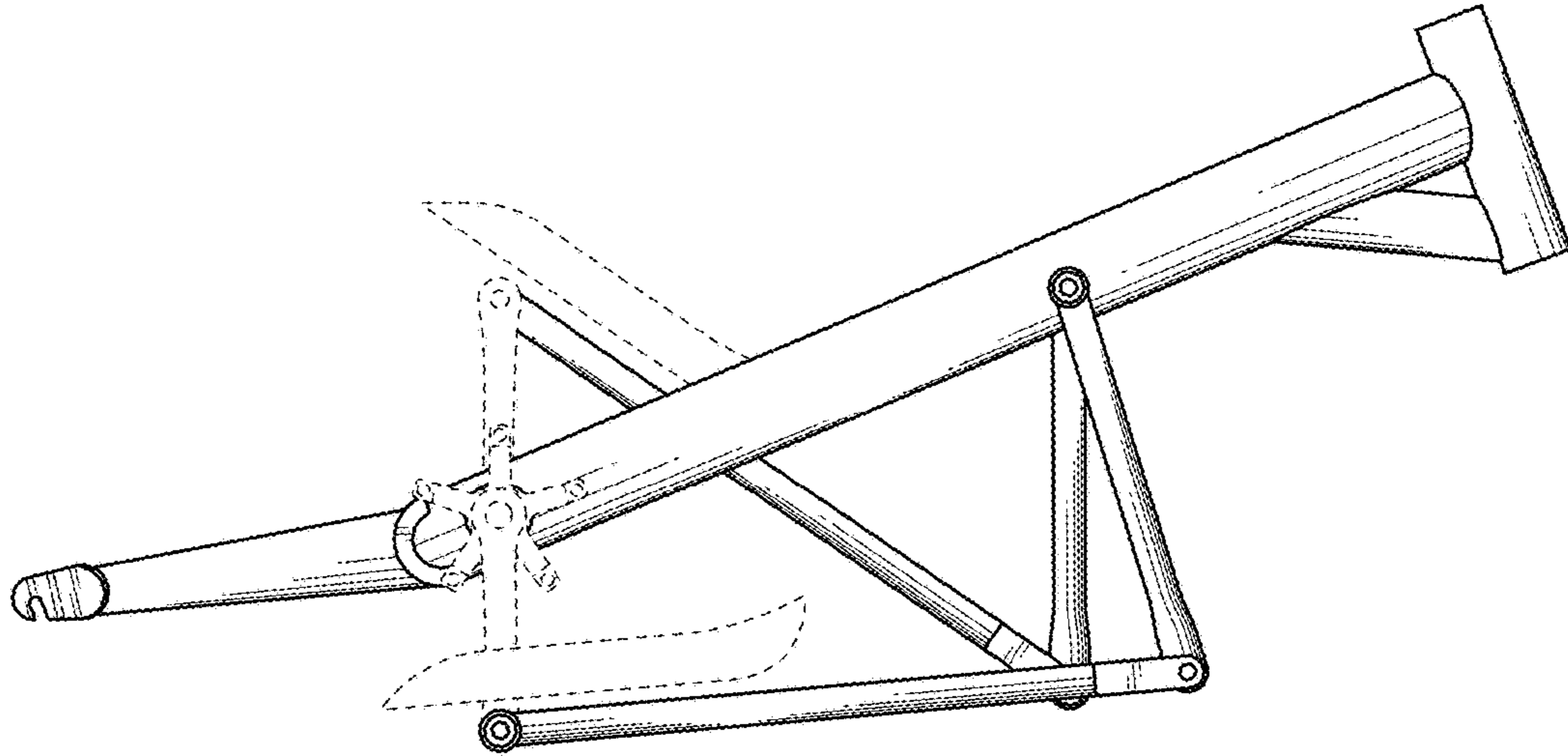


FIG. 20

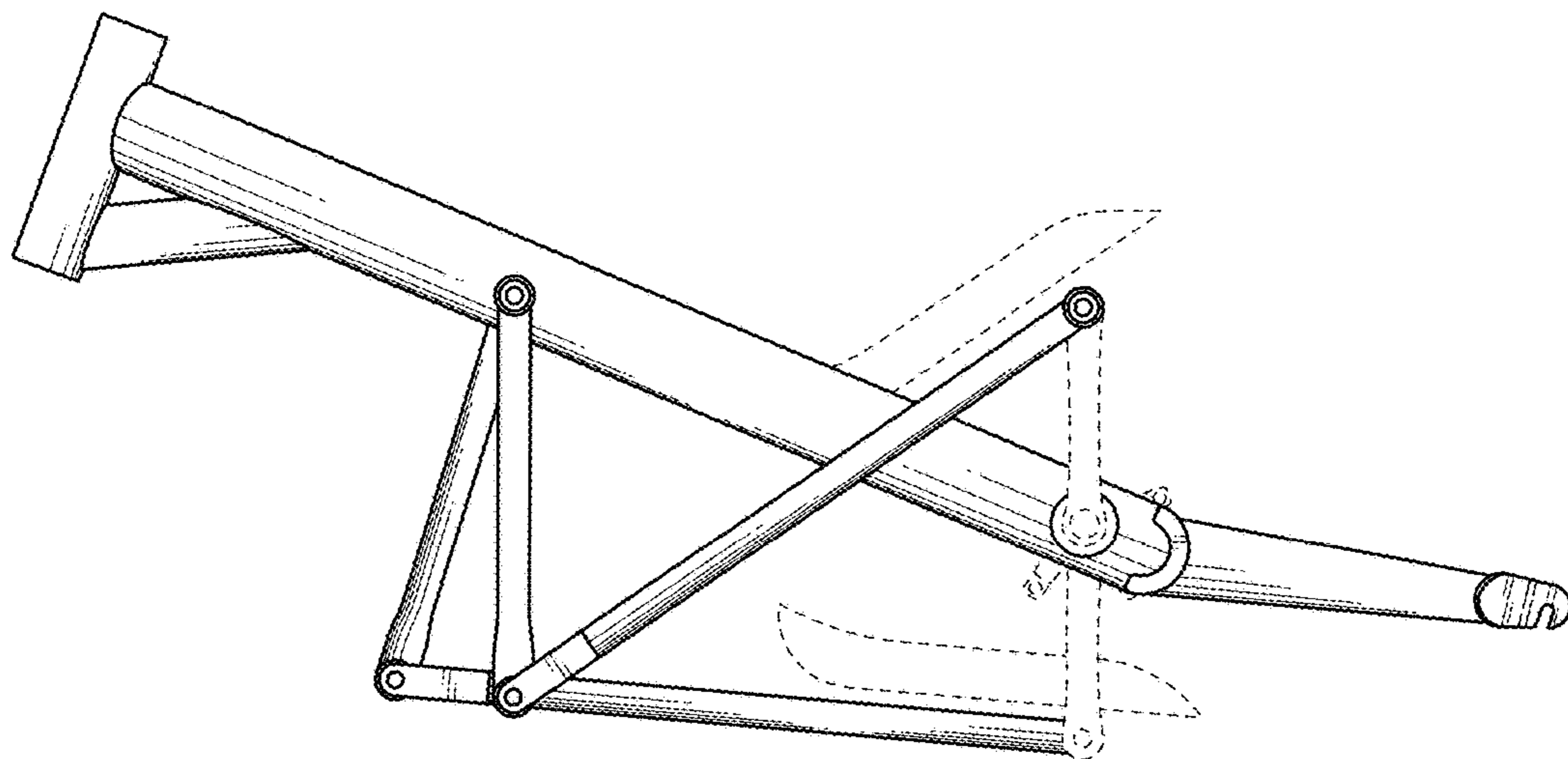


FIG. 21

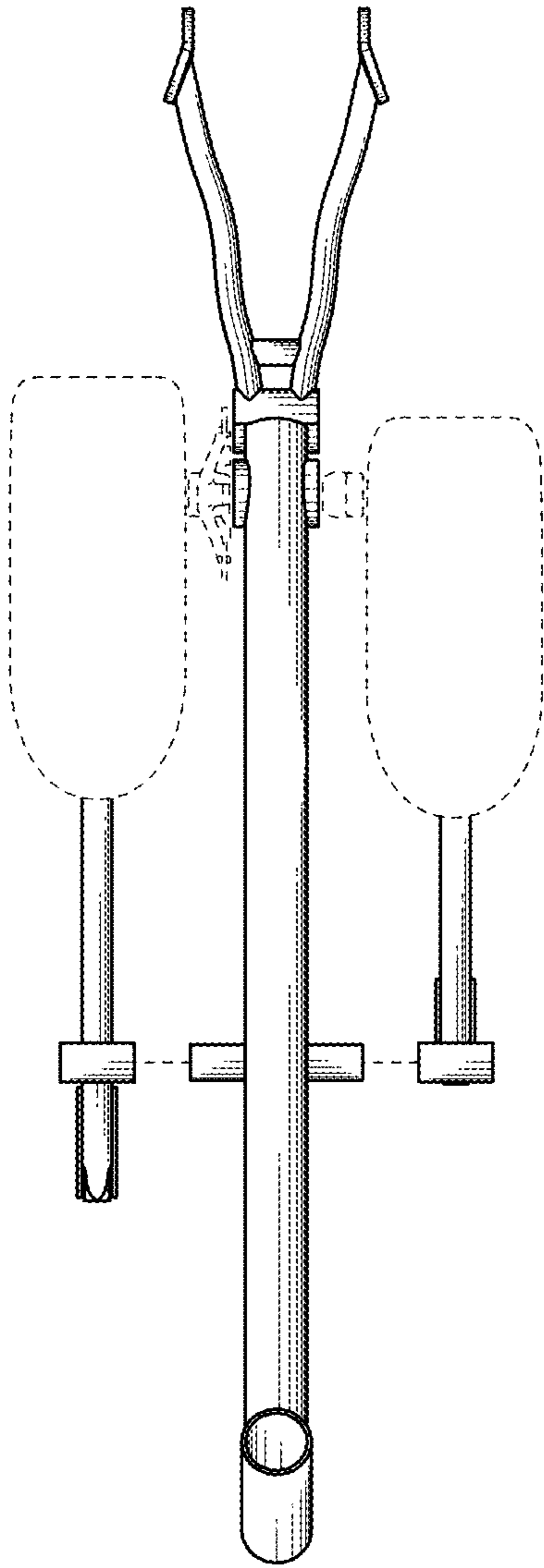


FIG. 22

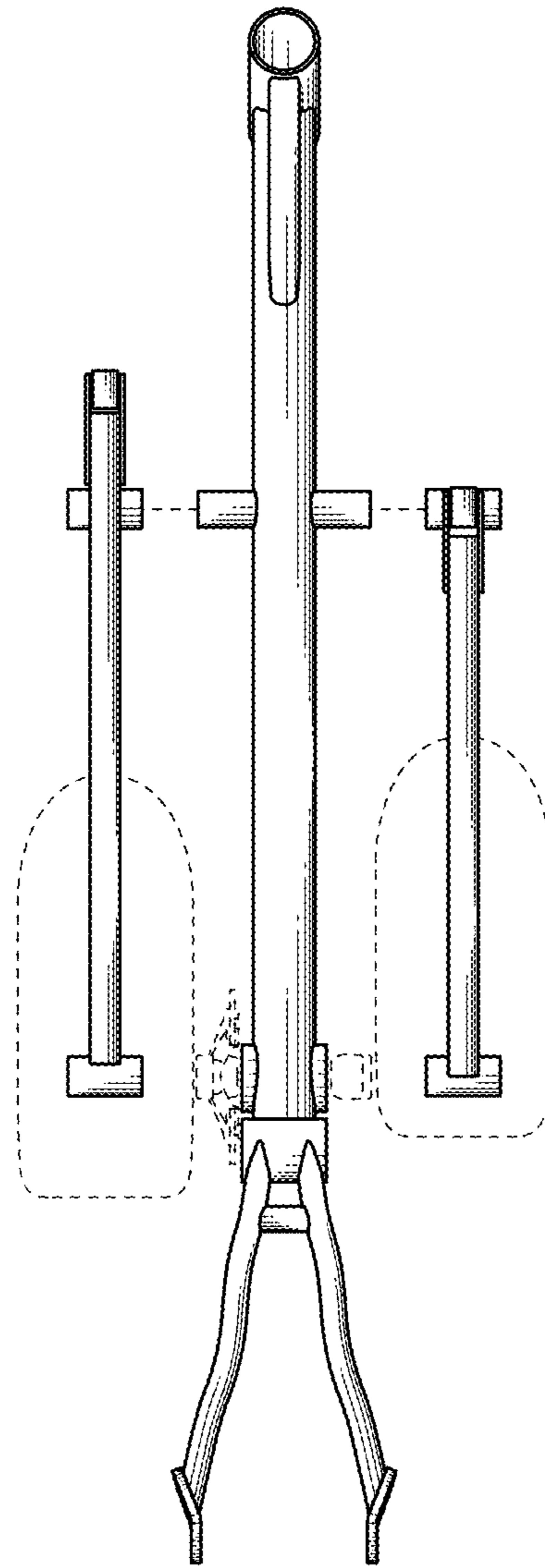


FIG. 23

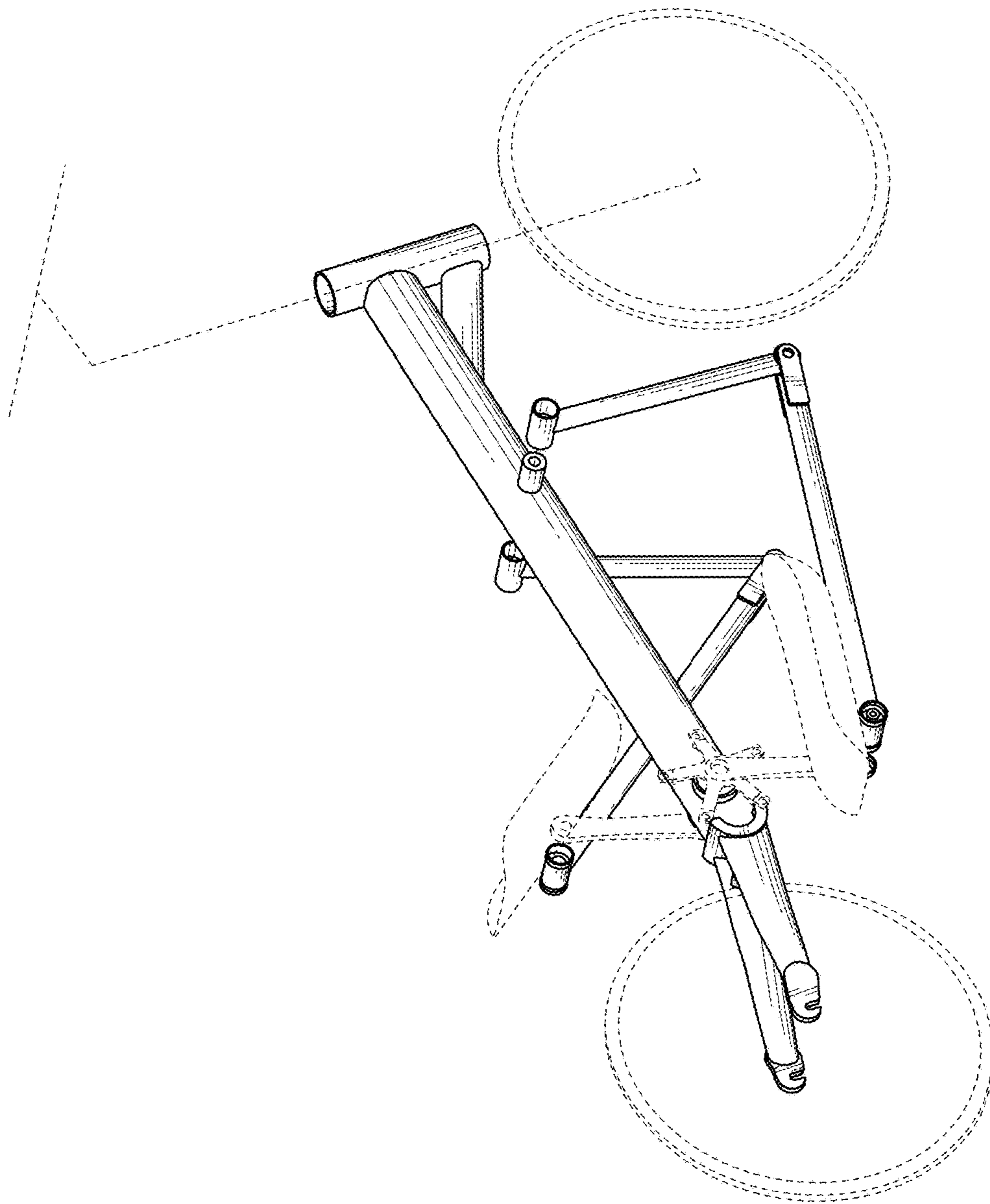


FIG. 24

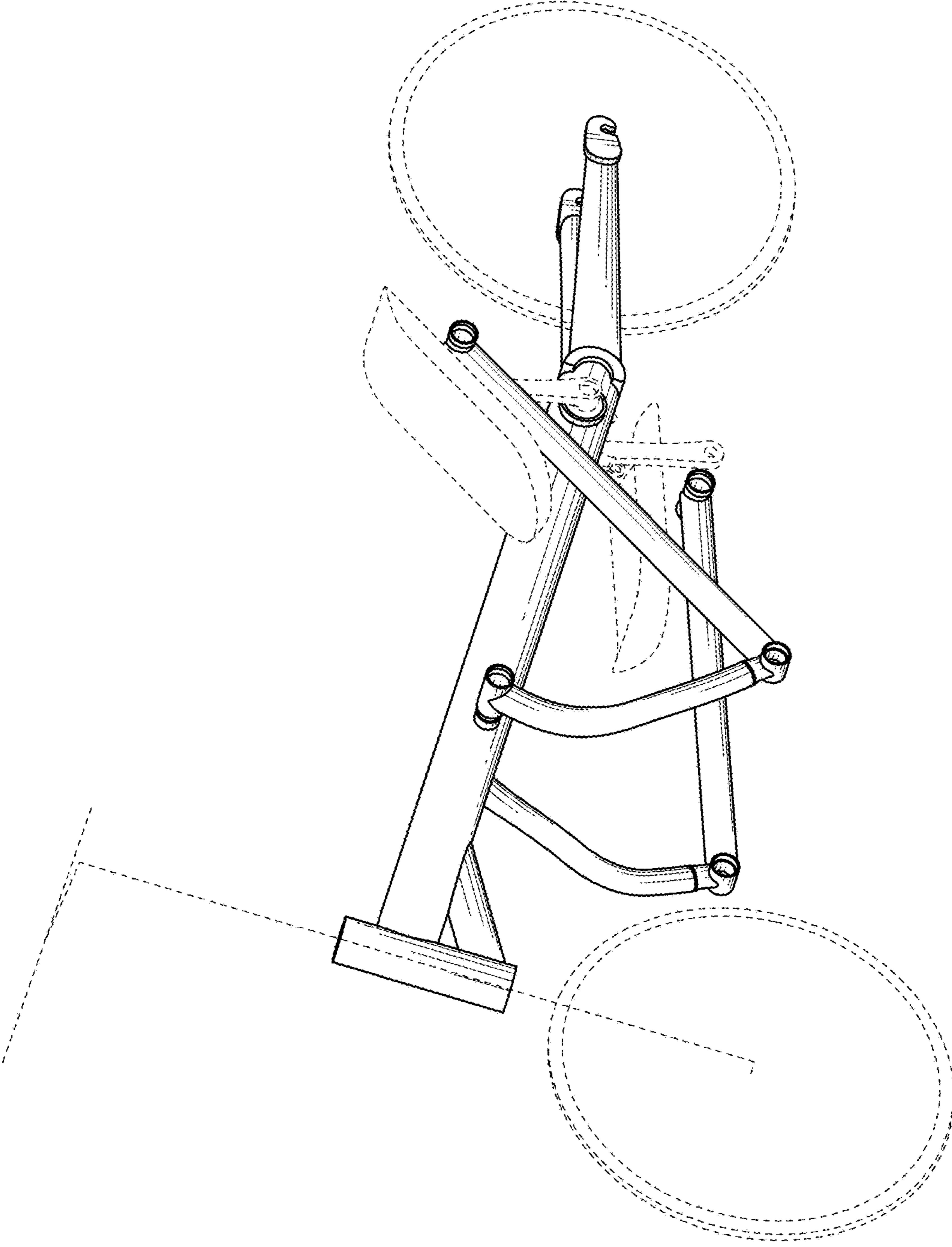


FIG. 25

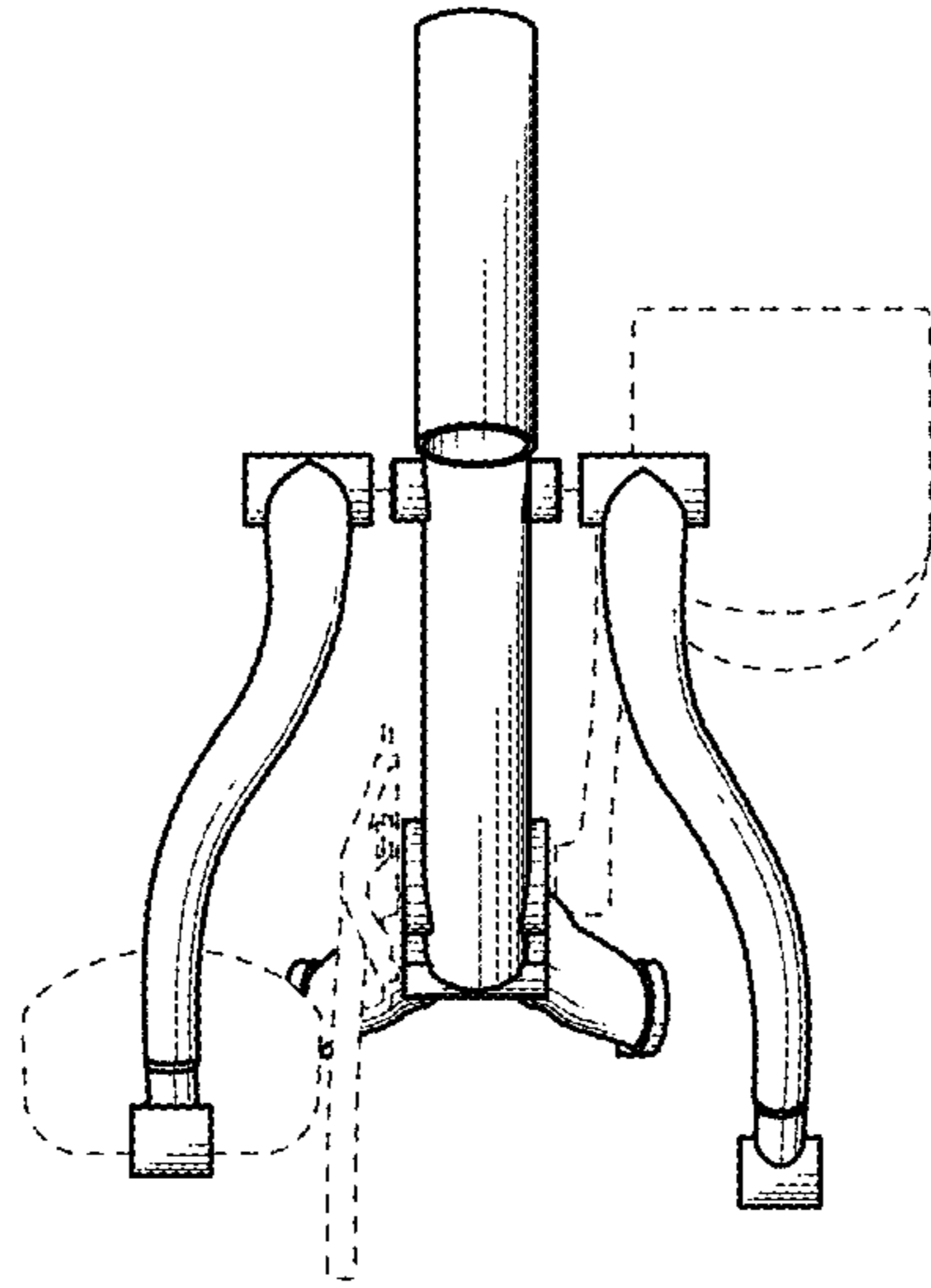


FIG. 26

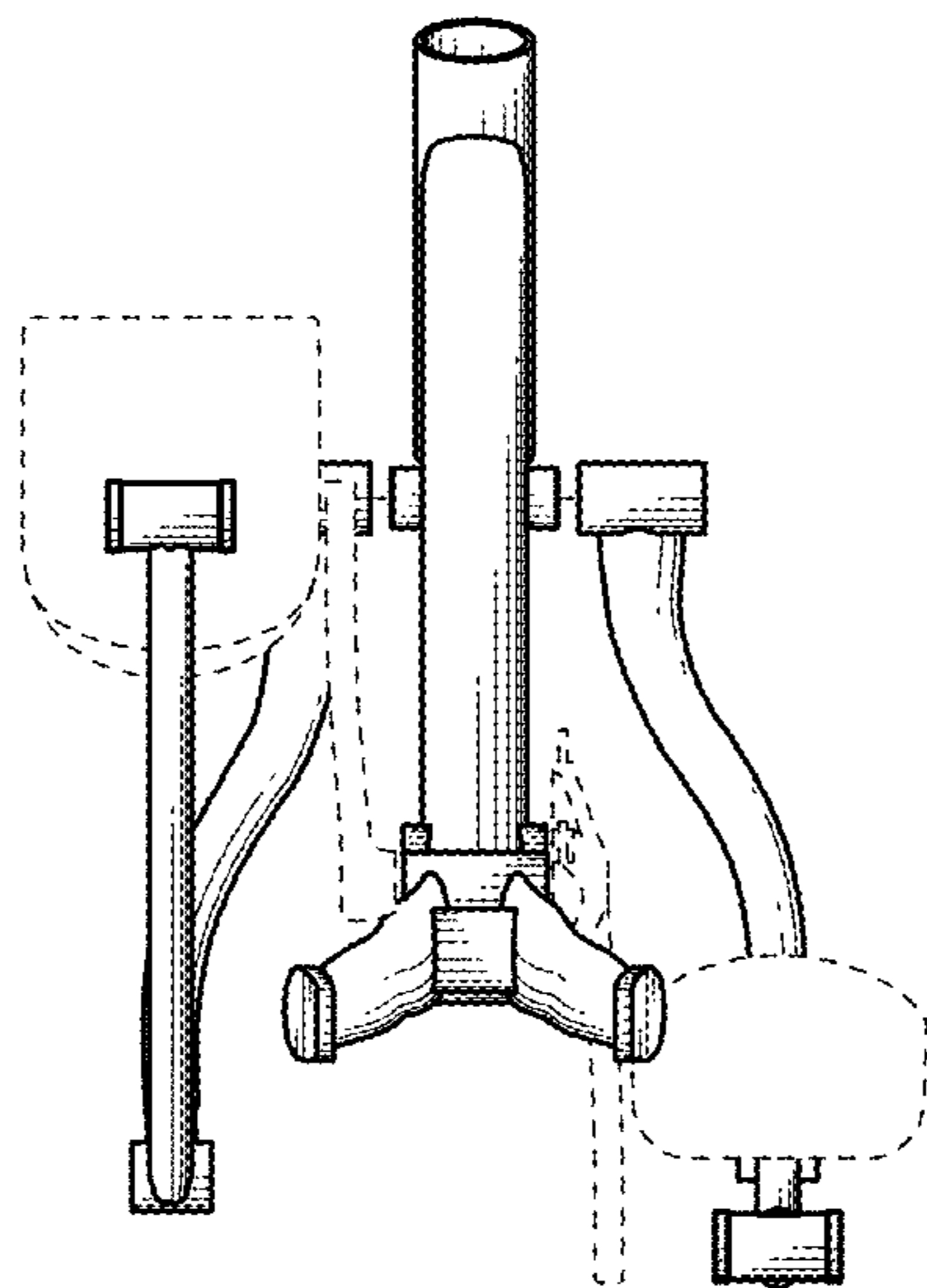


FIG. 27

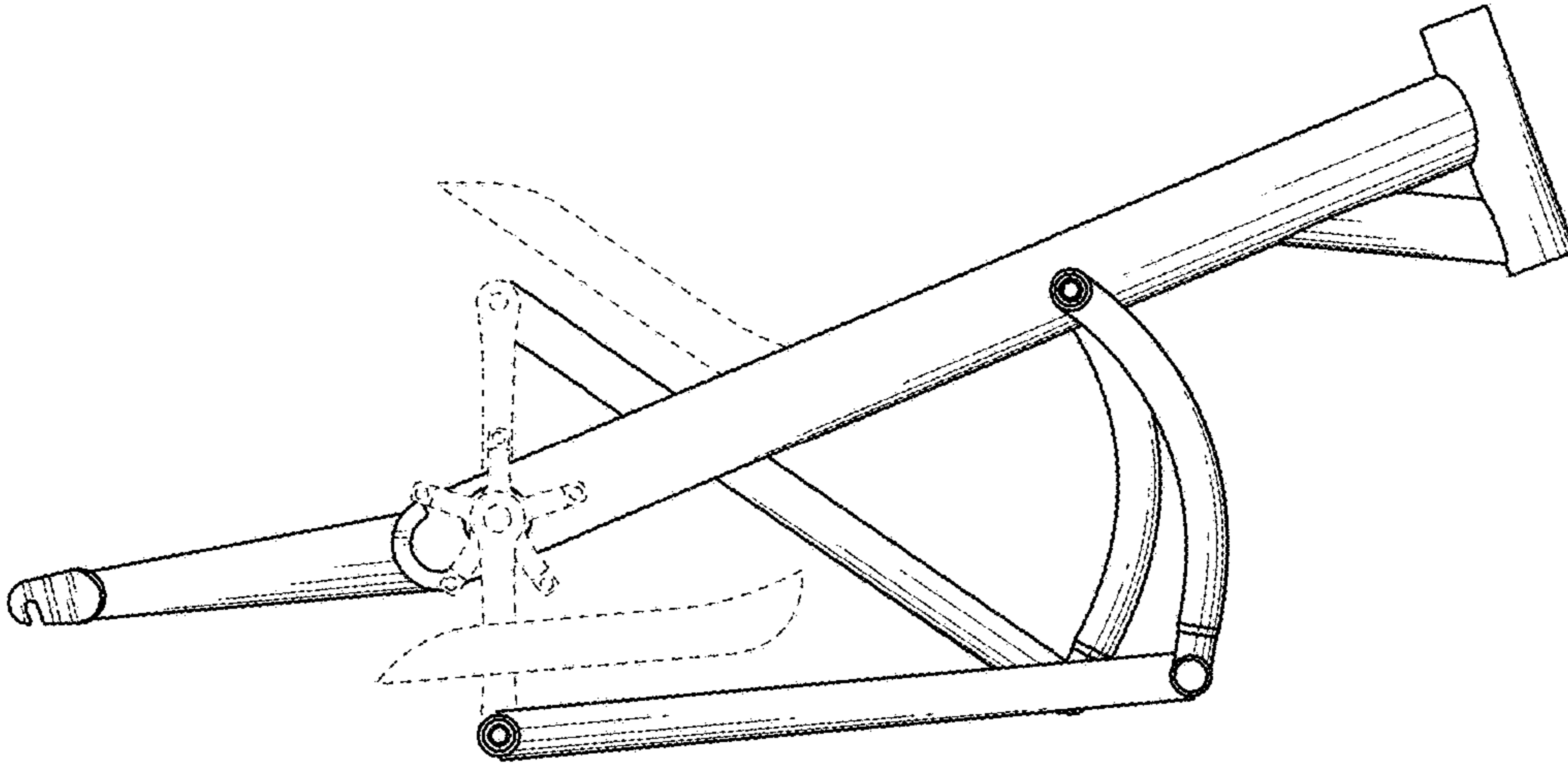


FIG. 28

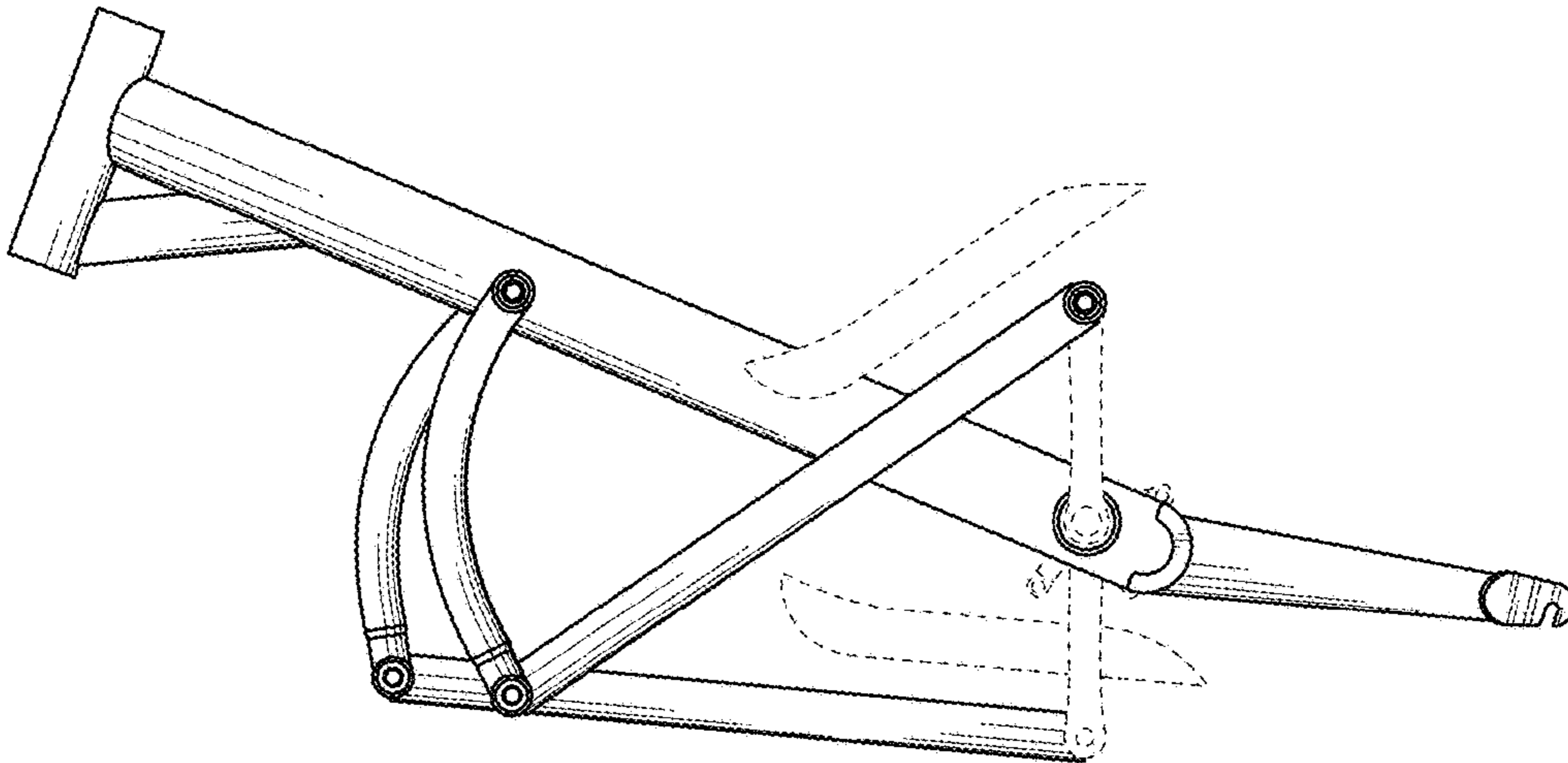


FIG. 29

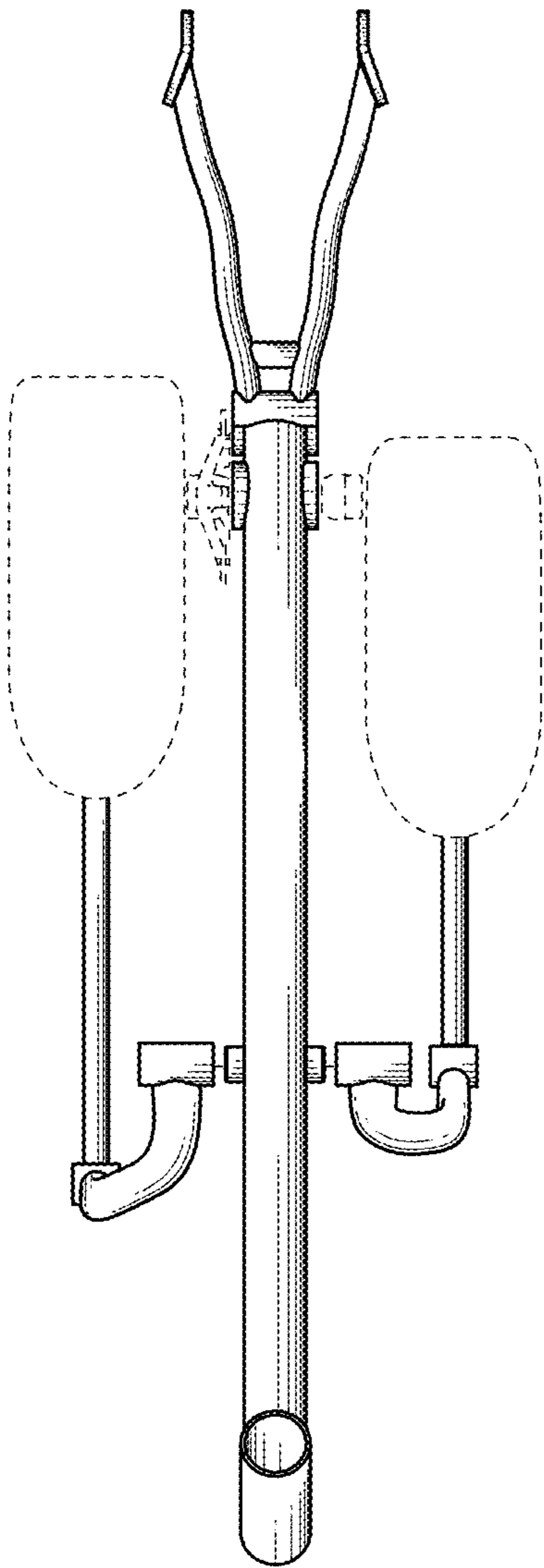


FIG. 30

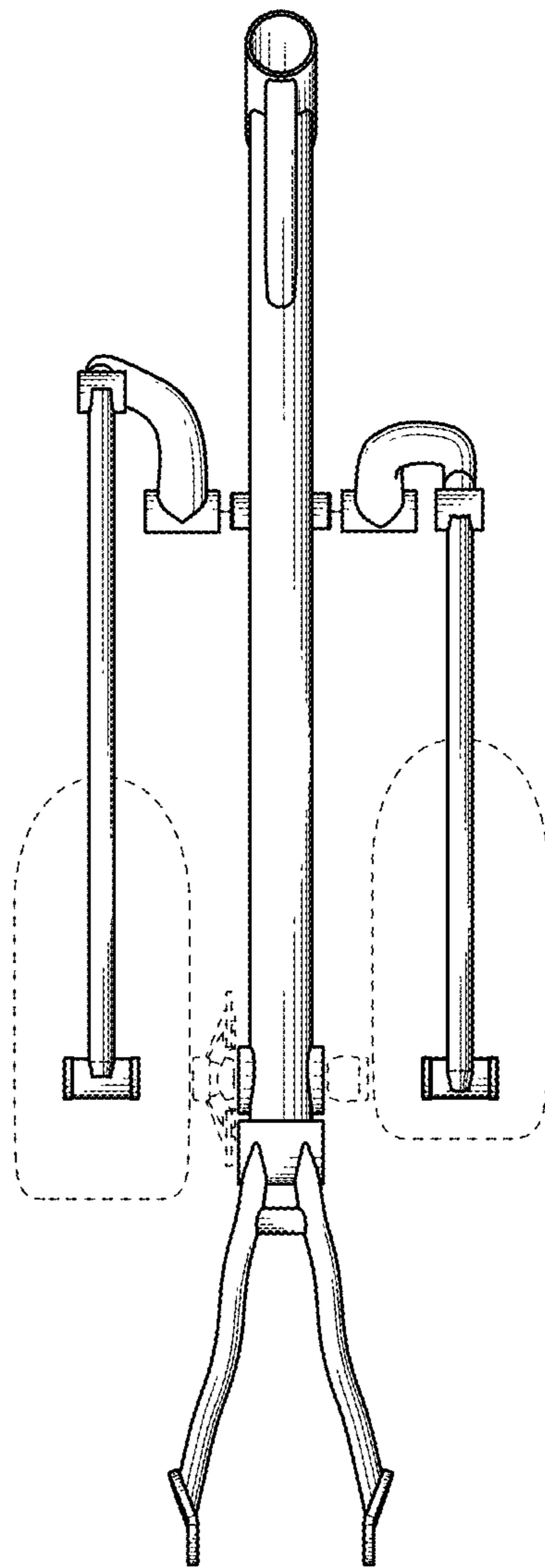


FIG. 31

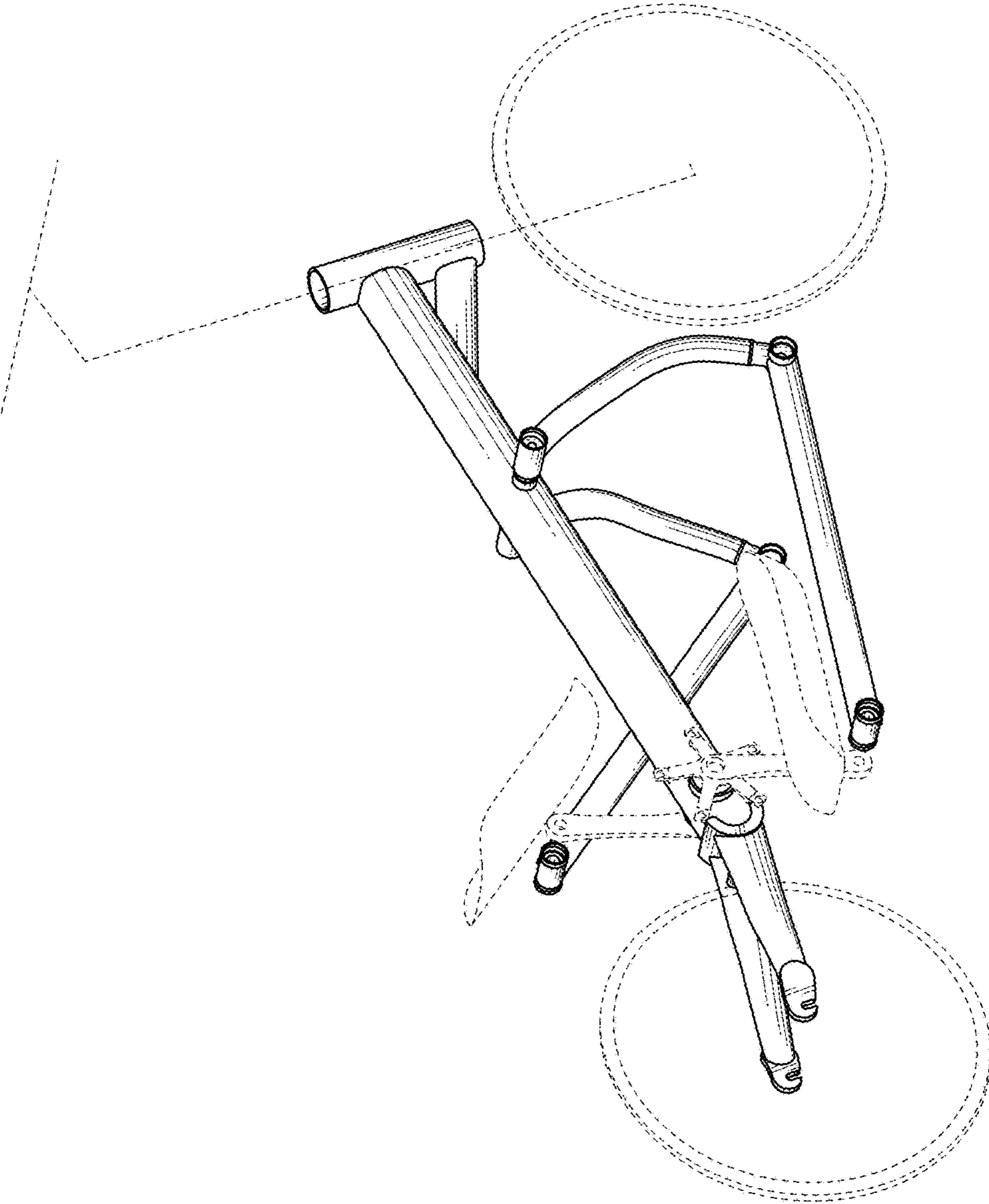


FIG. 32