



US00D776014S

(12) **United States Design Patent**
Silva

(10) **Patent No.:** **US D776,014 S**
(45) **Date of Patent:** **** Jan. 10, 2017**

- (54) **BICYCLE FRAME**
- (71) Applicant: **3G BIKES, LLC**, Whittier, CA (US)
- (72) Inventor: **Gary Silva**, El Segundo, CA (US)
- (73) Assignee: **3G Bikes, LLC**, Whittier, CA (US)
- (**) Term: **15 Years**
- (21) Appl. No.: **29/538,656**
- (22) Filed: **Sep. 4, 2015**

- D185,575 S 6/1959 Schreckengost
 - D243,165 S * 1/1977 Wheeler D12/111
 - D244,593 S * 6/1977 Manofsky D12/111
 - D392,602 S 3/1998 Silva
 - D418,778 S * 1/2000 Allen D12/111
 - D419,110 S * 1/2000 Allen D12/111
 - 6,793,230 B1 9/2004 Cheng
 - D503,662 S * 4/2005 Tiyawatchalapong D12/111
- (Continued)

Related U.S. Application Data

- (63) Continuation of application No. 29/464,610, filed on Aug. 19, 2013, now Pat. No. Des. 738,261, which is a continuation of application No. 29/416,607, filed on Mar. 23, 2012, now Pat. No. Des. 688,599.
- (51) **LOC (10) Cl.** **12-11**
- (52) **U.S. Cl.**
USPC **D12/111**
- (58) **Field of Classification Search**
USPC D12/111, 117; 280/274–280, 281.1, 280/283–288, 288.1–288.4
CPC B62K 3/00; B62K 3/02; B62K 3/06
See application file for complete search history.

FOREIGN PATENT DOCUMENTS

- FR EP 1719693 A1 * 11/2006 B62K 19/18
 - JP 2005313660 A * 11/2005
- (Continued)

Primary Examiner — Darlington Ly

(74) *Attorney, Agent, or Firm* — Knobbe, Martens, Olson & Bear, LLP

(57) **CLAIM**

The ornamental design for a bicycle frame, as shown and described.

DESCRIPTION

FIG. 1 is a perspective view showing a bicycle frame that embodies the design.

FIG. 2 is another perspective view of the bicycle frame of FIG. 1.

FIG. 3 is a right side view of the bicycle frame of FIG. 1. The left side view is a mirror image of the right side view.

FIG. 4 is a front view of the bicycle frame of FIG. 1.

FIG. 5 is a rear view of the bicycle frame of FIG. 1.

FIG. 6 is a top view of the bicycle frame of FIG. 1; and, FIG. 7 is a bottom view of the bicycle frame of FIG. 1.

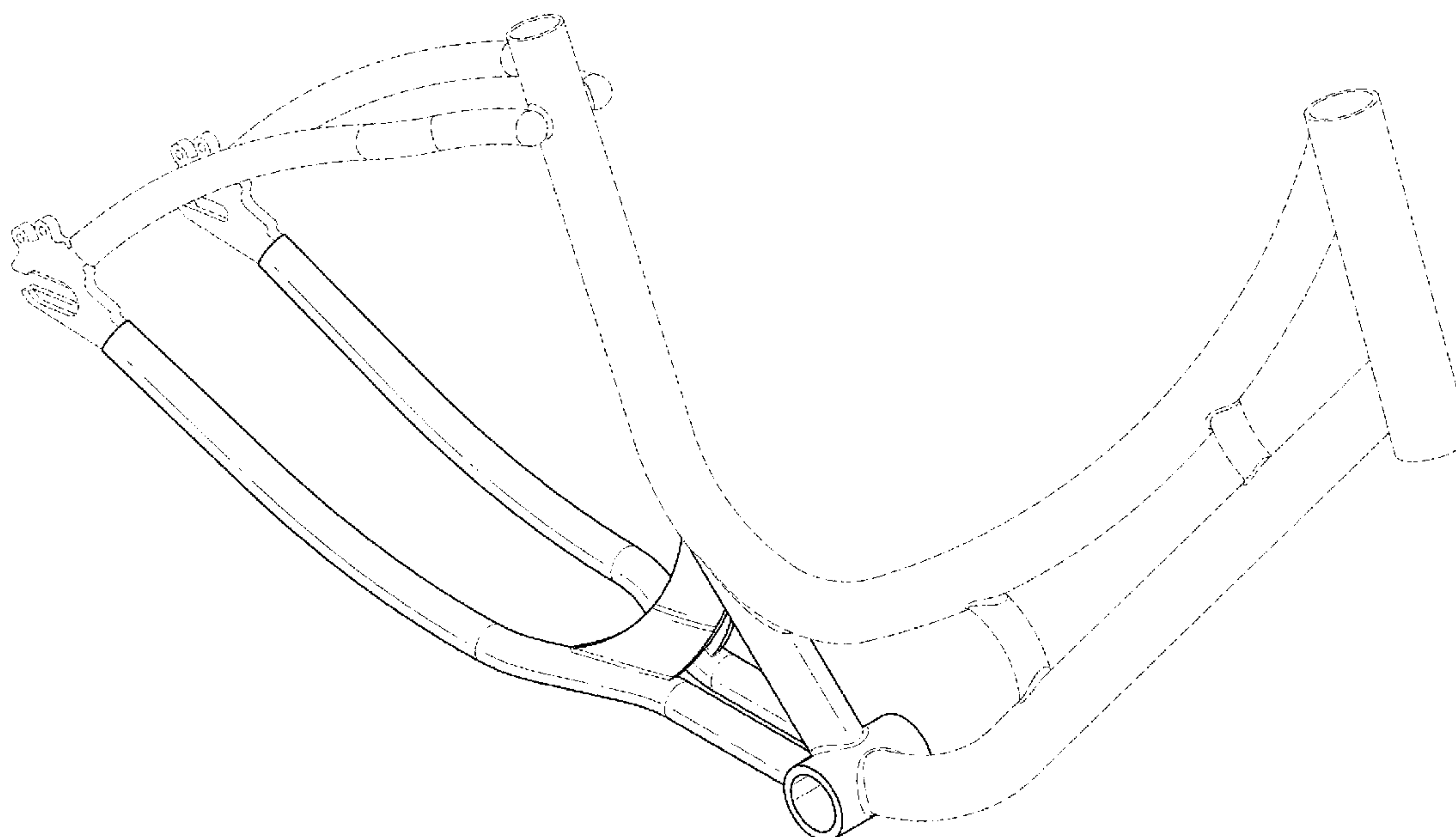
The broken lines in the drawings illustrate portions of the bicycle frame that forms no part of the claimed design.

1 Claim, 5 Drawing Sheets

(56) **References Cited**

U.S. PATENT DOCUMENTS

- D25,078 S 1/1896 Fowler
- D26,285 S 11/1896 Graham
- D35,391 S 12/1901 Johnson
- 2,491,379 A 12/1949 Kraeft et al.
- 2,550,941 A 5/1951 Schuricht
- 2,855,218 A 10/1958 Douglas et al.
- 2,855,219 A 10/1958 Douglas et al.



(56)

References Cited

U.S. PATENT DOCUMENTS

D606,908 S * 12/2009 Grimaldi D12/111
7,740,262 B2 6/2010 Baenziger
D635,894 S * 4/2011 Argote Vivar D12/111
8,136,828 B2 3/2012 Baenziger
D667,347 S * 9/2012 Simko D12/111
D688,599 S * 8/2013 Silva D12/111
D692,801 S * 11/2013 Lumpkin D12/117
D721,014 S * 1/2015 Kahler, Jr. D12/111
D722,285 S * 2/2015 Silva D12/111
D724,498 S * 3/2015 Eagleman D12/111
D738,261 S * 9/2015 Silva D12/111
D759,549 S * 6/2016 Edmonds D12/111
9,371,105 B2 * 6/2016 Chou B62K 3/02

FOREIGN PATENT DOCUMENTS

JP 2013248999 A * 12/2013
TW EP 1982909 A1 * 10/2008 B62J 11/00
TW EP 1985531 A1 * 10/2008 B62K 3/02

* cited by examiner

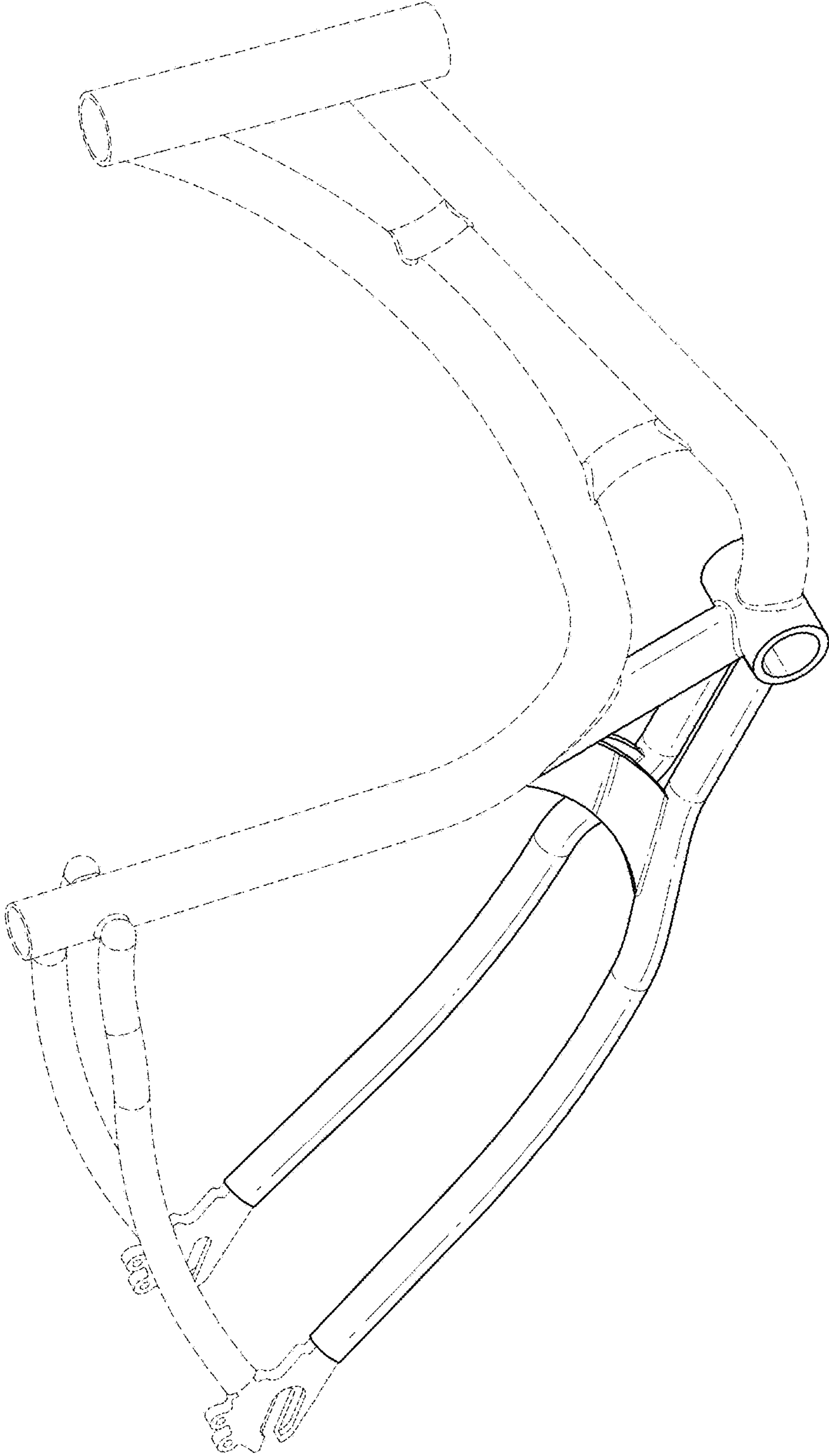


FIG. 1

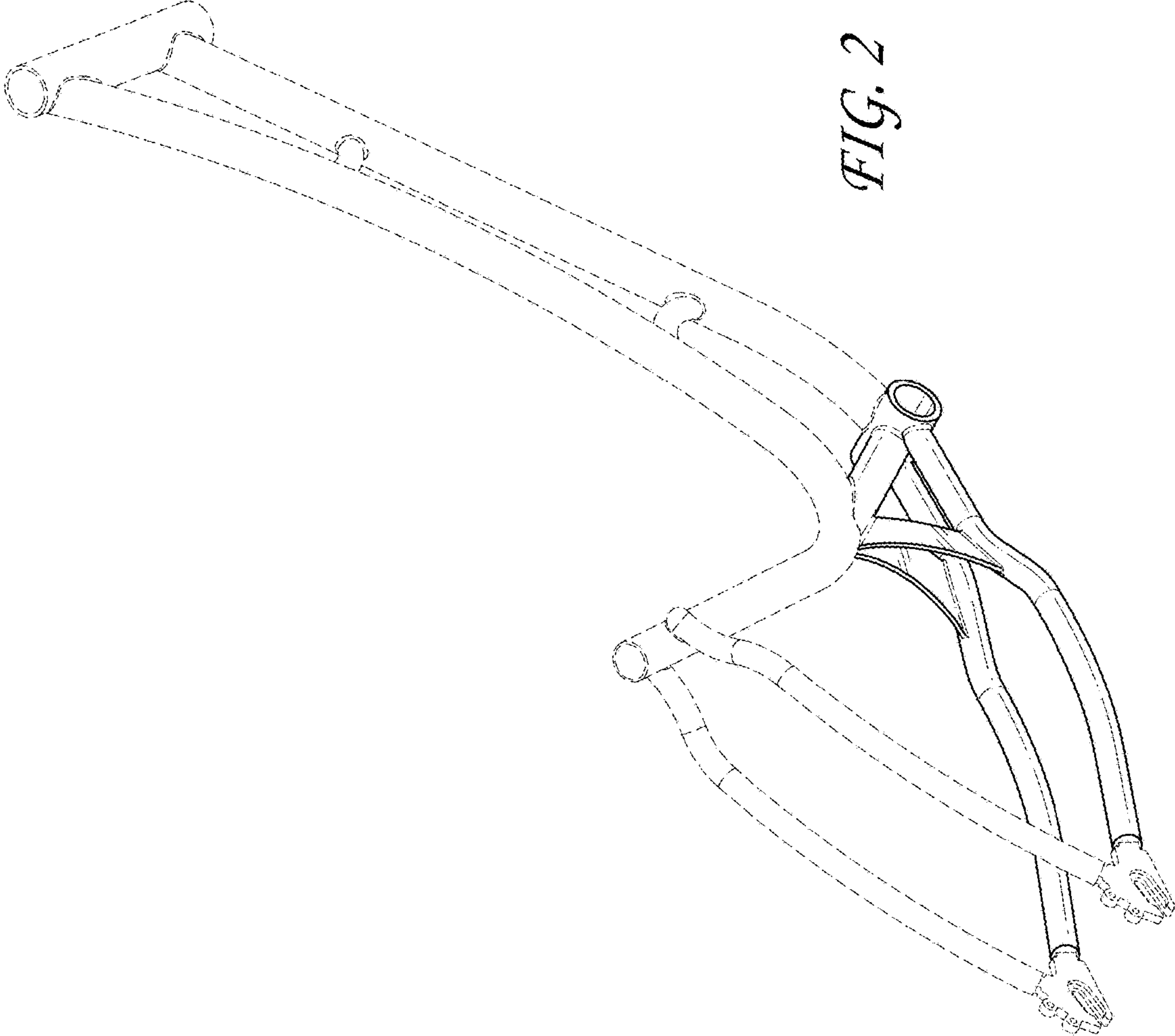


FIG. 2

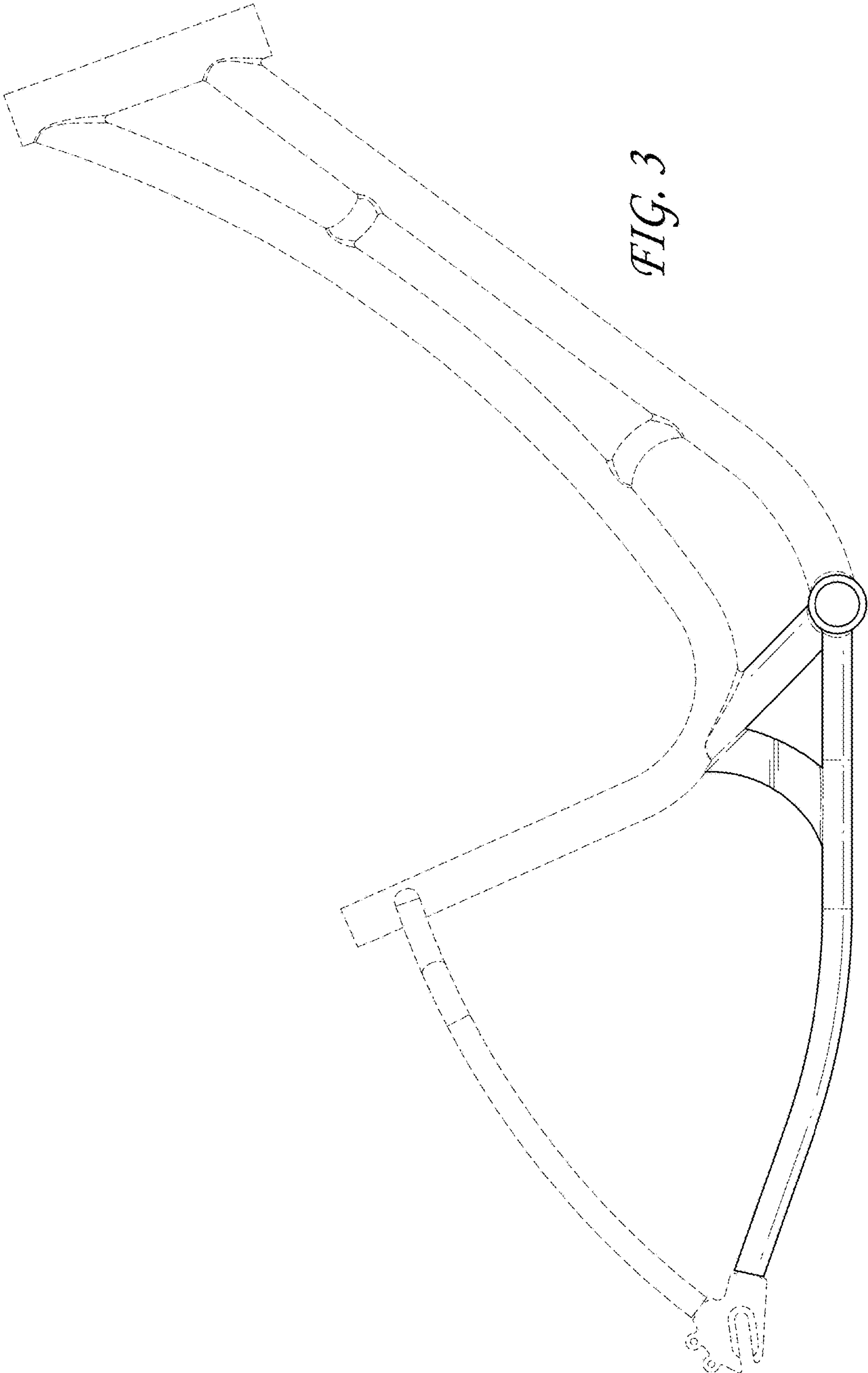


FIG. 3

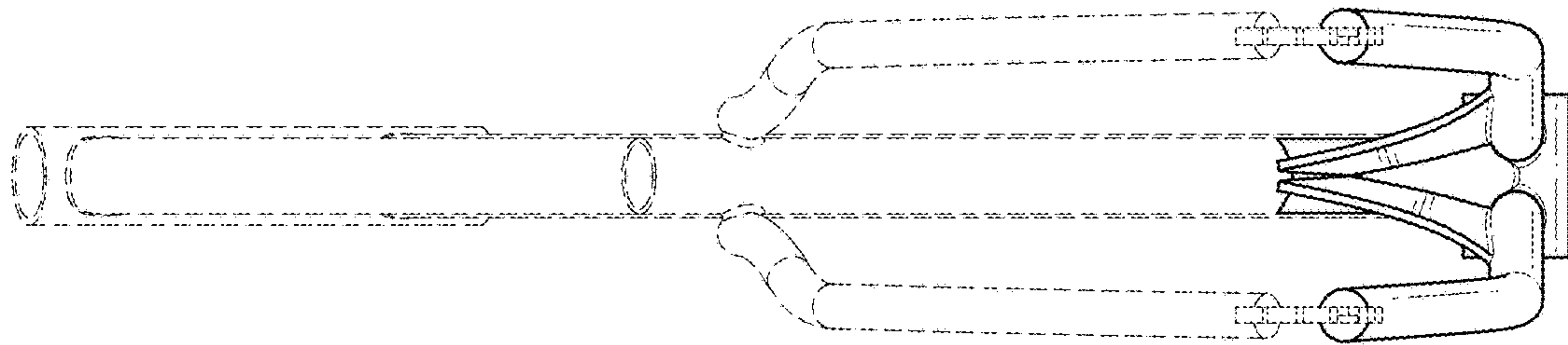


FIG. 5

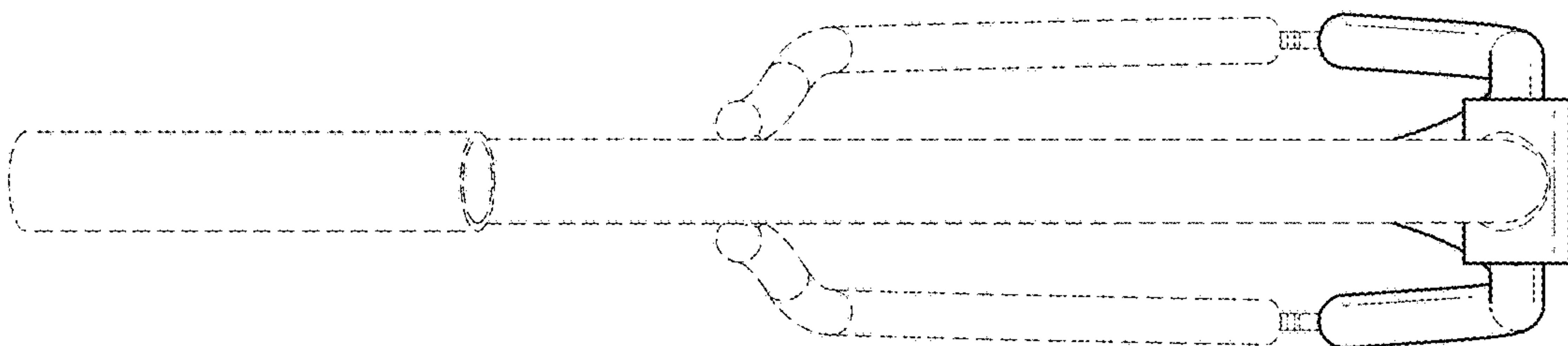


FIG. 4

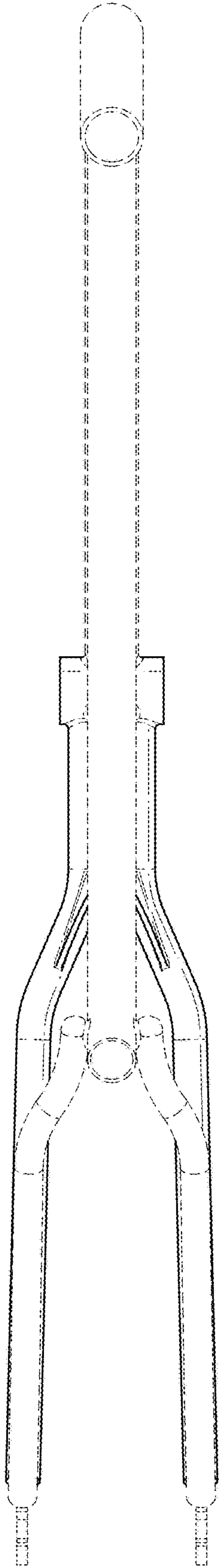


FIG. 6

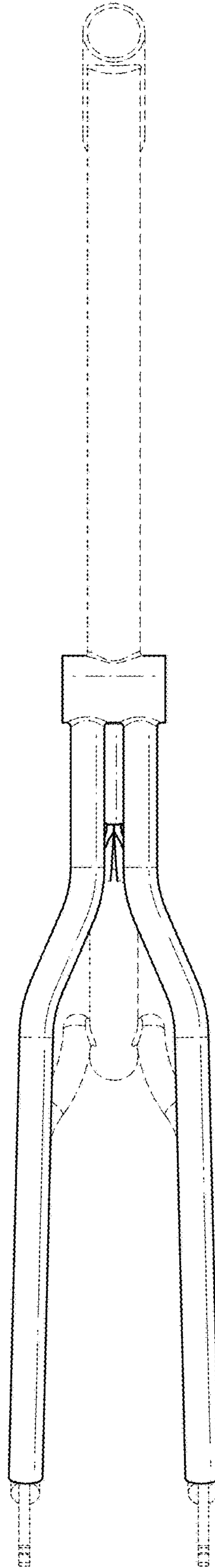


FIG. 7