



US00D776002S

(12) **United States Design Patent**
Schad

(10) **Patent No.:** **US D776,002 S**

(45) **Date of Patent:** **** Jan. 10, 2017**

(54) **GOLF BELT BUCKLE**

6,413,174 B1 7/2002 Roberts
6,837,807 B1 1/2005 Kerr
7,935,005 B1 * 5/2011 Botsford A45C 1/06
473/408
D643,494 S * 8/2011 Book D21/793

(71) Applicant: **Kenrick Golf Company, LLC,**
Warwick, RI (US)

(72) Inventor: **Charles R. Schad,** Warwick, RI (US)

* cited by examiner

(73) Assignee: **Kenrick Golf Company, LLC,**
Warwick, RI (US)

Primary Examiner — Ralf Seifert
(74) *Attorney, Agent, or Firm* — Locke Lord LLP;
Howard M. Gitten

(**) Term: **15 Years**

(21) Appl. No.: **29/532,830**

(57) **CLAIM**

(22) Filed: **Jul. 10, 2015**

The ornamental design for a golf belt buckle, as shown and described.

(51) **LOC (10) Cl.** **02-07**

(52) **U.S. Cl.**
USPC **D11/216**

(58) **Field of Classification Search**
USPC D11/1–2, 200–201, 206–210, 214–218;
24/163 R, 169–171, 173, 177–179, 191,
24/194–195, 197, 200, 614–616, 625,
24/198, 578.11, 578.1, 163 K, 114;
473/408; D21/793, 789; D8/87
CPC A44B 11/26; A44B 11/25; A44B 11/06;
A63B 57/0068; A45C 1/06
See application file for complete search history.

DESCRIPTION

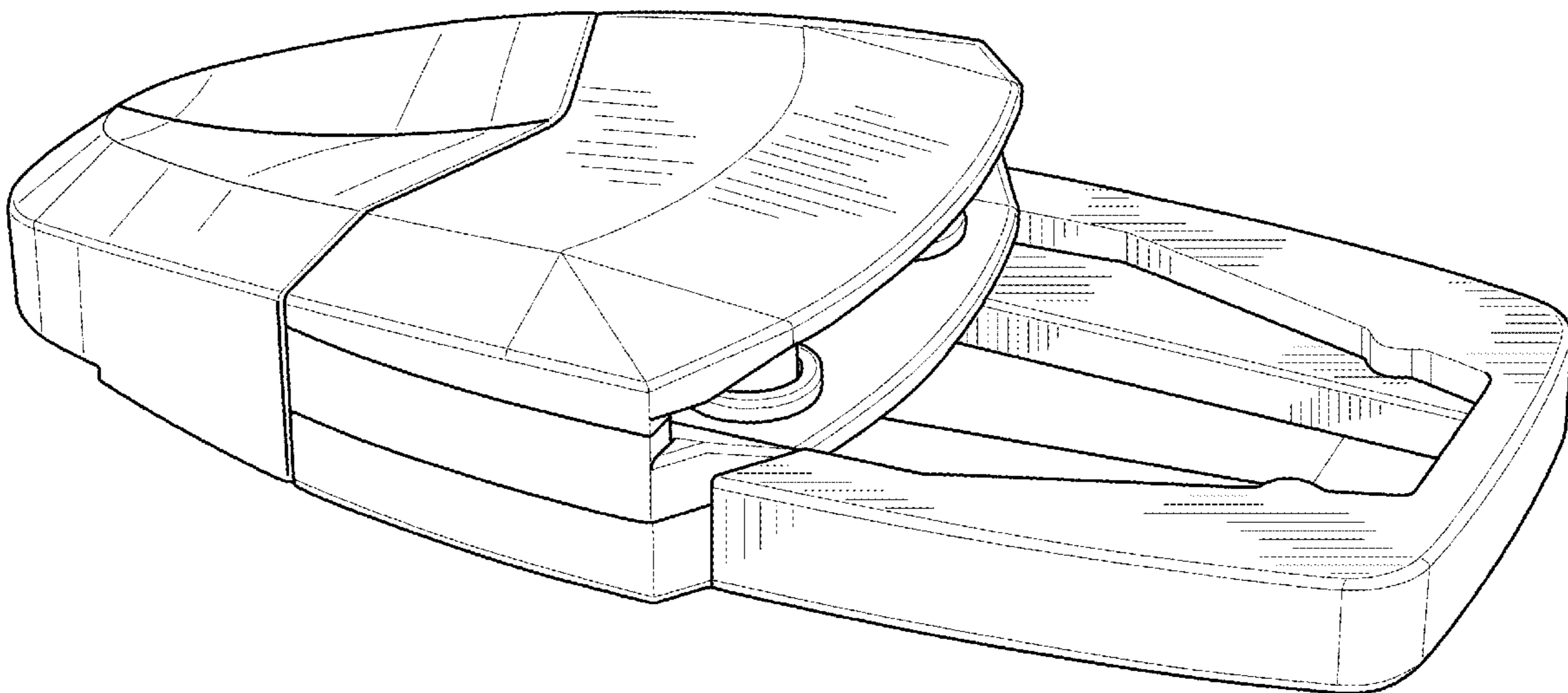
FIG. 1 is a perspective view of the golf belt buckle according to the present disclosure.
FIG. 2 is a front view of the golf belt buckle according to the present disclosure.
FIG. 3 is a back view of the golf belt buckle according to the present disclosure.
FIG. 4 is a top view of the golf belt buckle according to the present disclosure.
FIG. 5 is a bottom view of the golf belt buckle according to the present disclosure.
FIG. 6 is a first end view of the golf belt buckle according to the present disclosure.
FIG. 7 is a second end view of the golf belt buckle according to the present disclosure; and,
FIG. 8 is a perspective view of the golf belt buckle attached to a belt according to the present disclosure.

(56) **References Cited**

U.S. PATENT DOCUMENTS

D167,823 S * 9/1952 Bliss D11/200
D238,436 S * 1/1976 McKelvey D21/793
4,688,337 A * 8/1987 Dillner A44B 11/266
24/615
D318,943 S * 8/1991 Marega D11/208
D396,085 S * 7/1998 Boelling D21/793
D447,088 S * 8/2001 Anscher D11/216

1 Claim, 6 Drawing Sheets



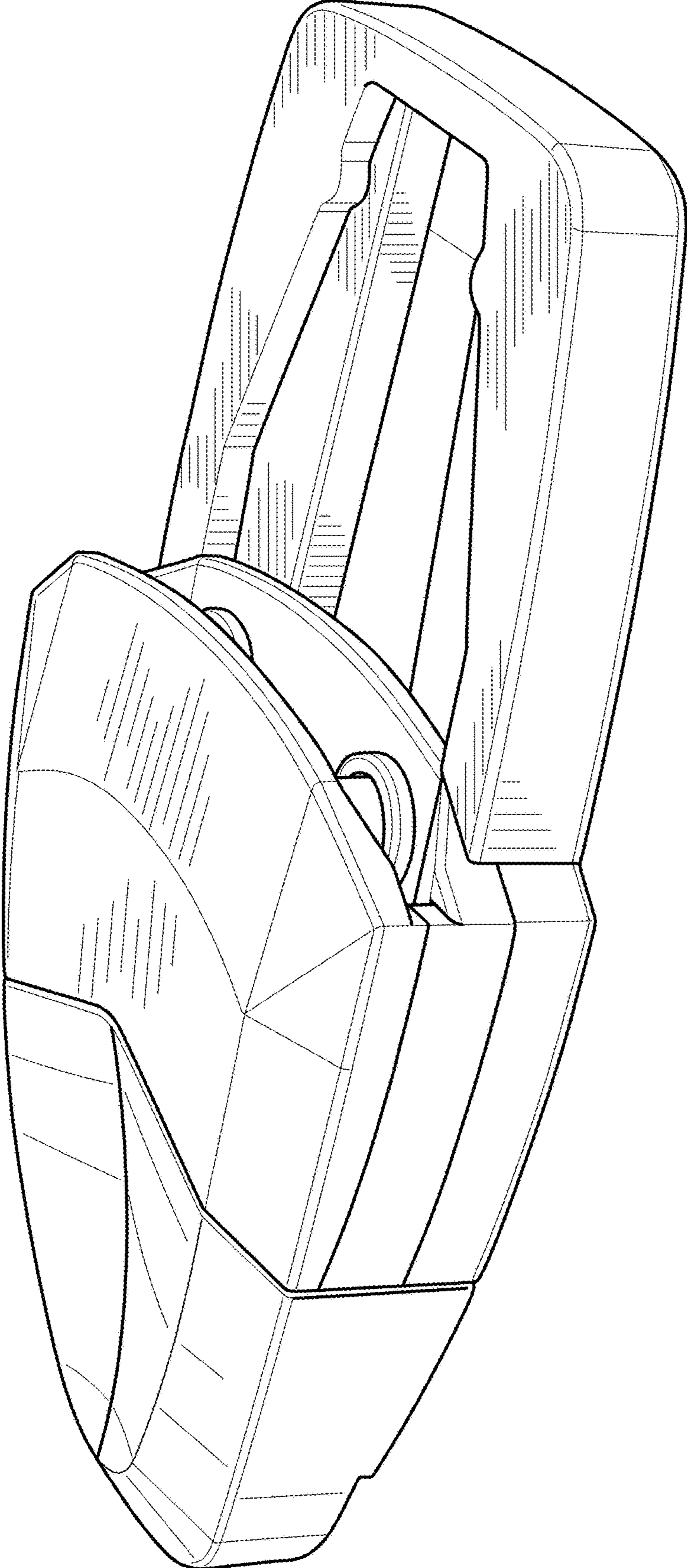


FIG. 1

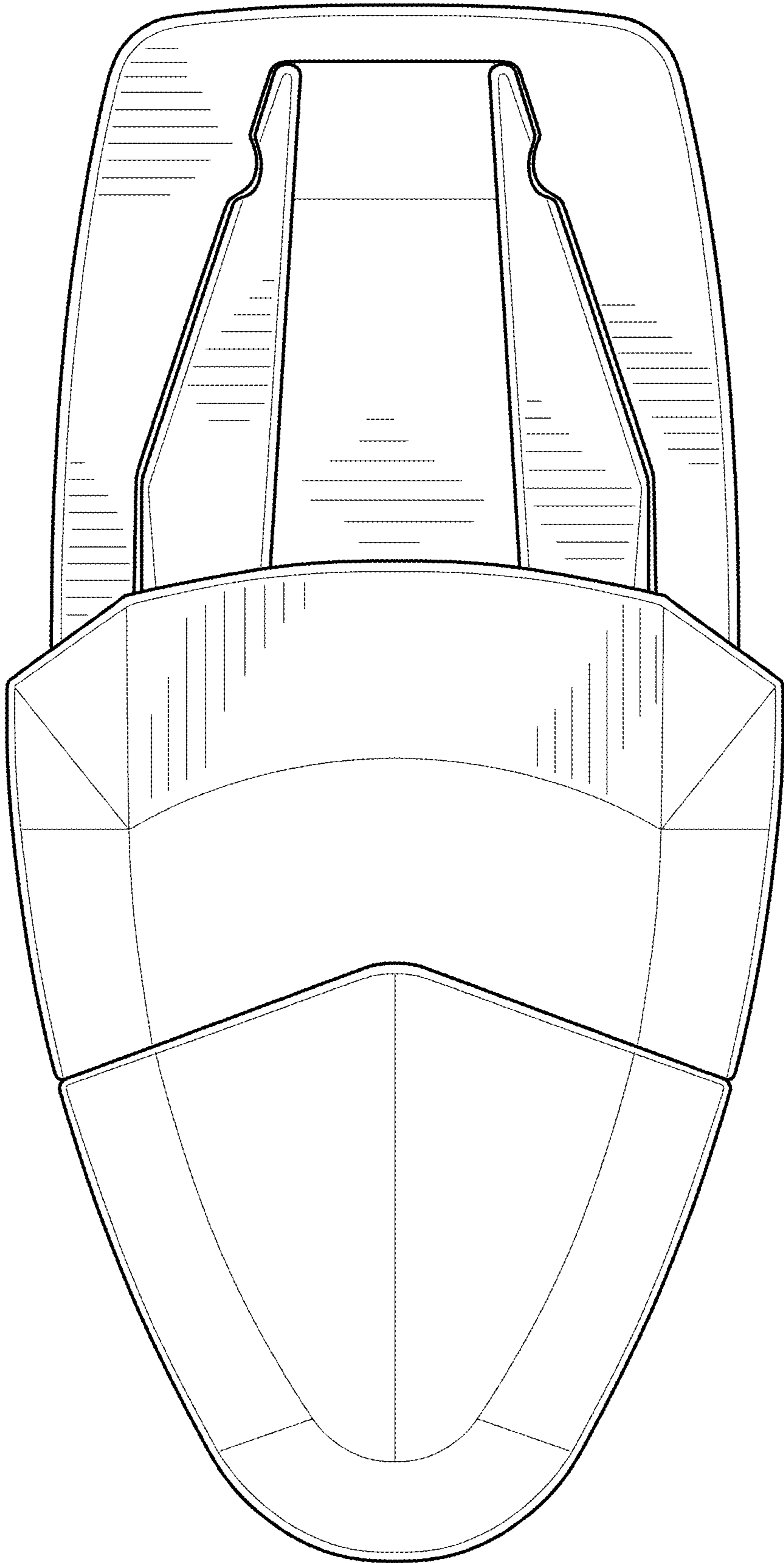


FIG. 2

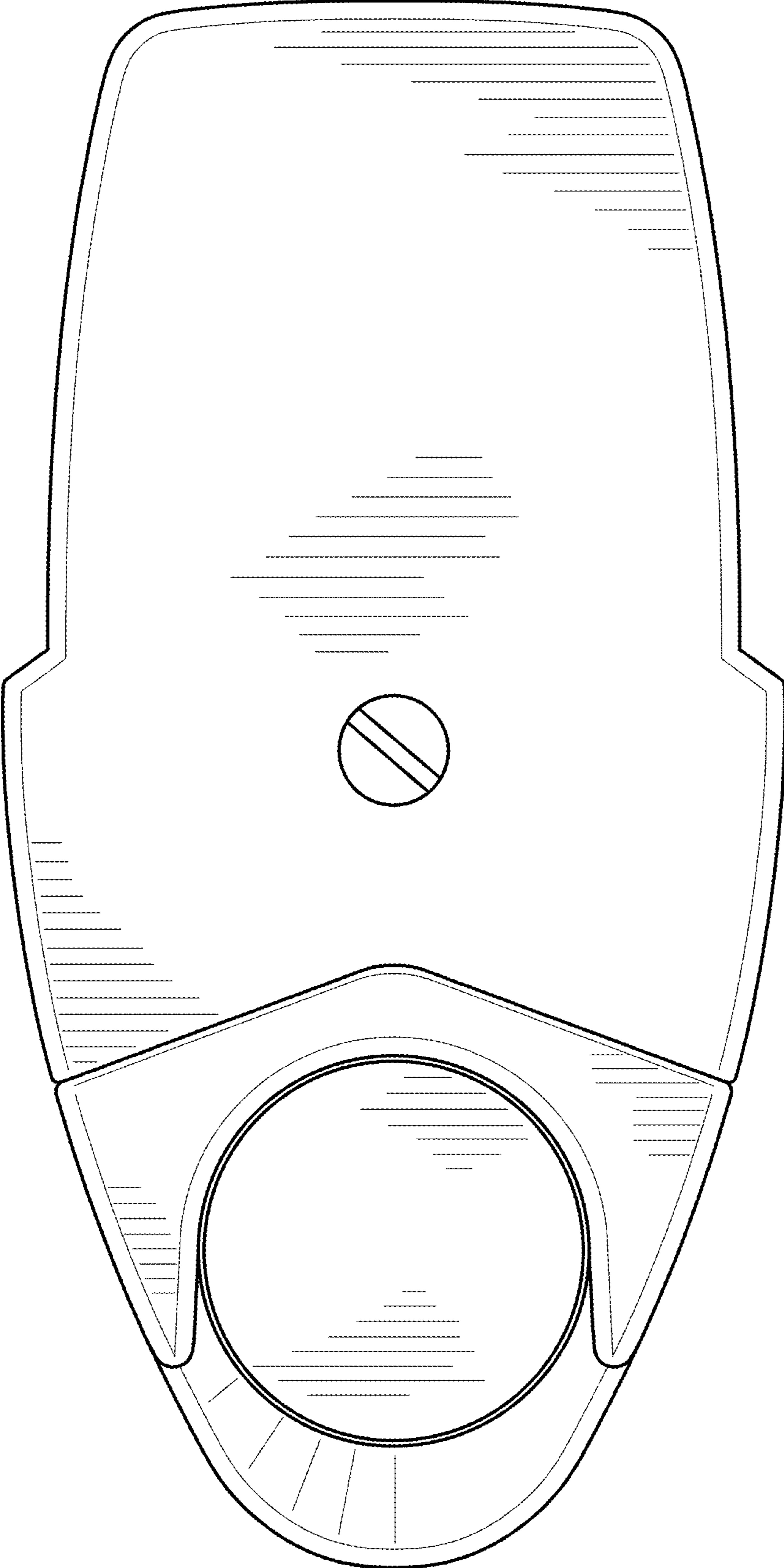


FIG. 3

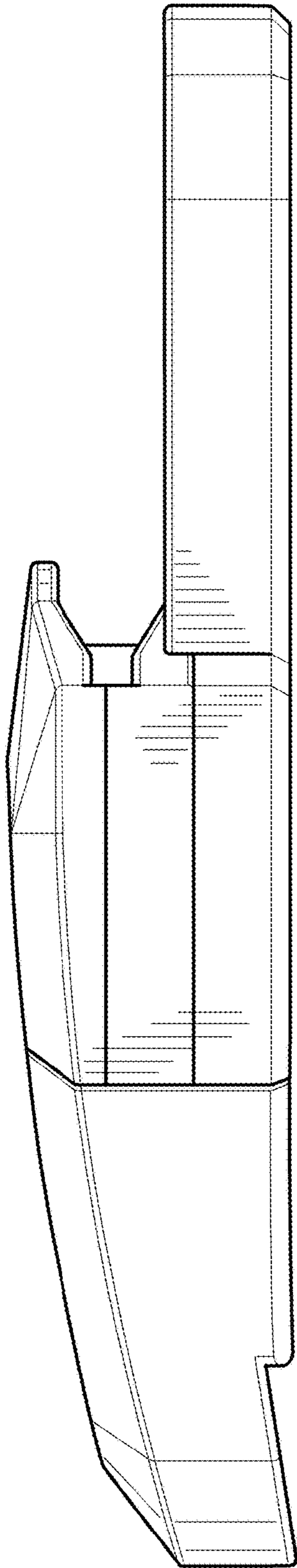


FIG. 4

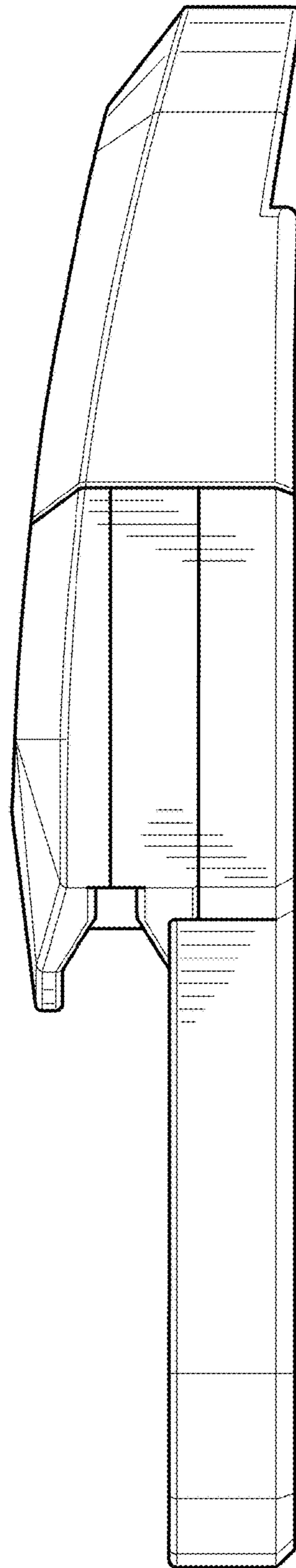


FIG. 5

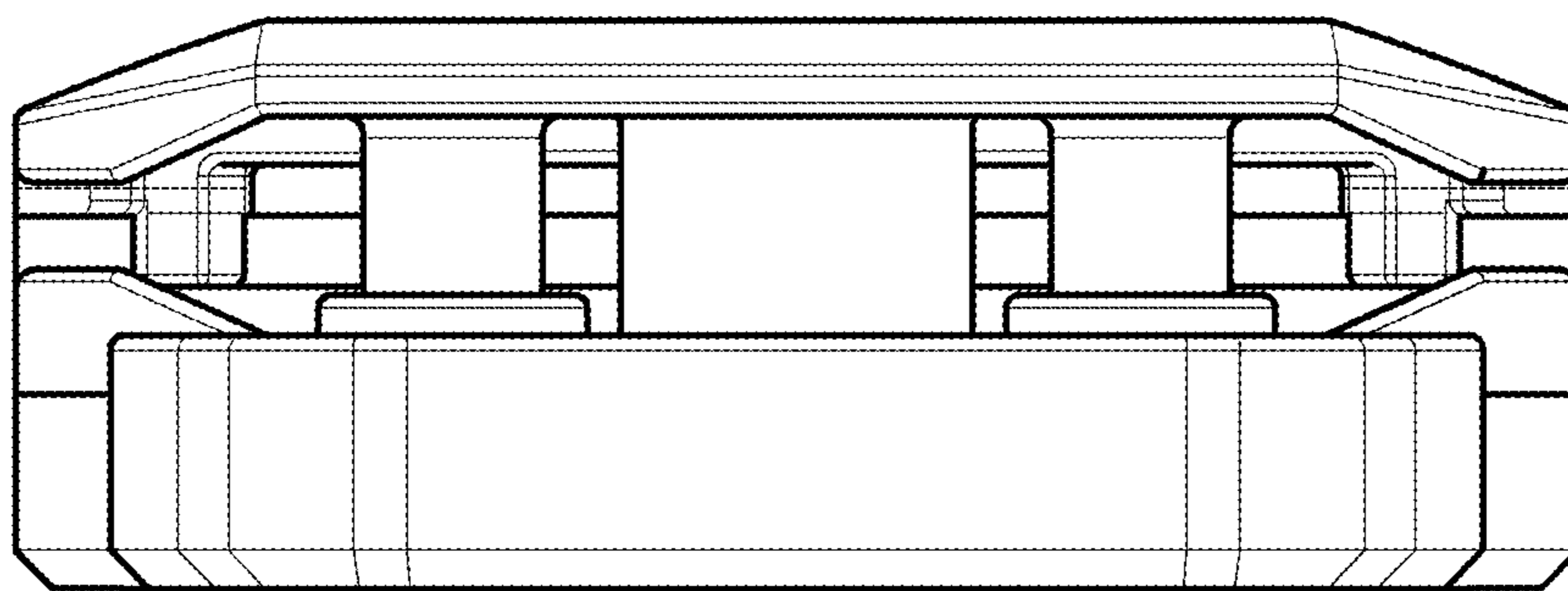


FIG. 6

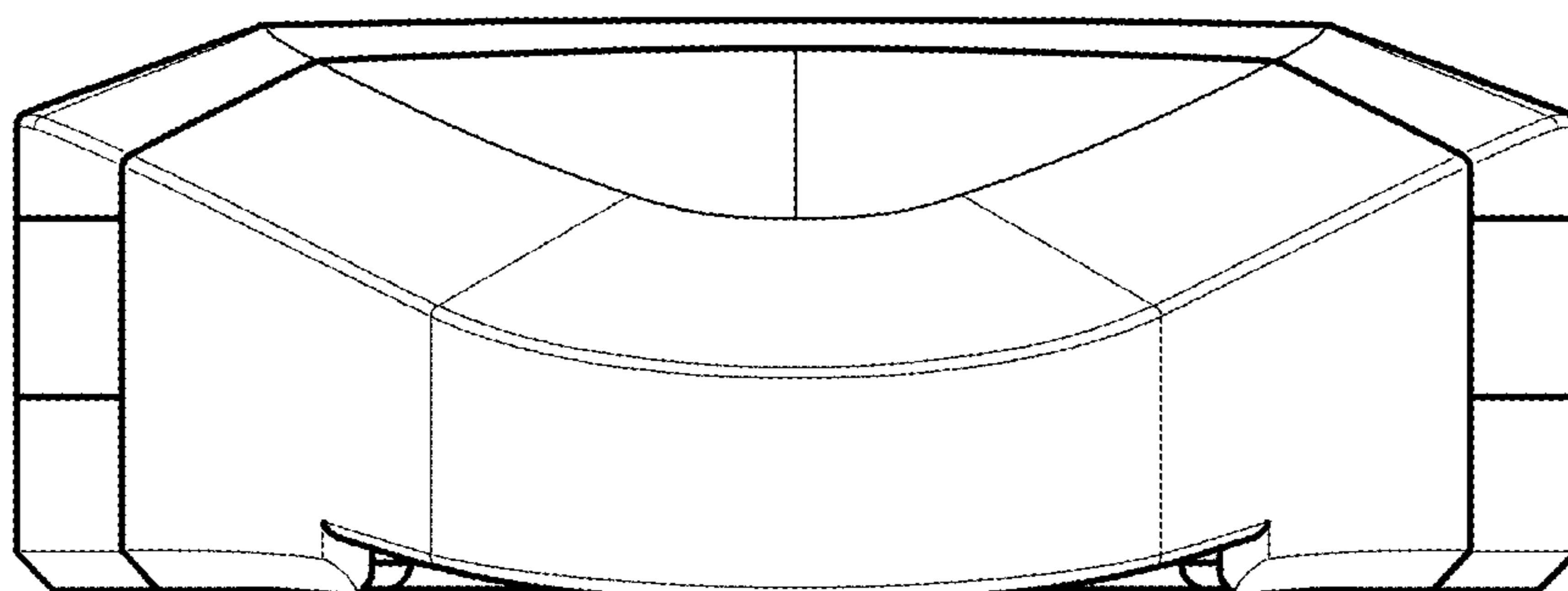


FIG. 7

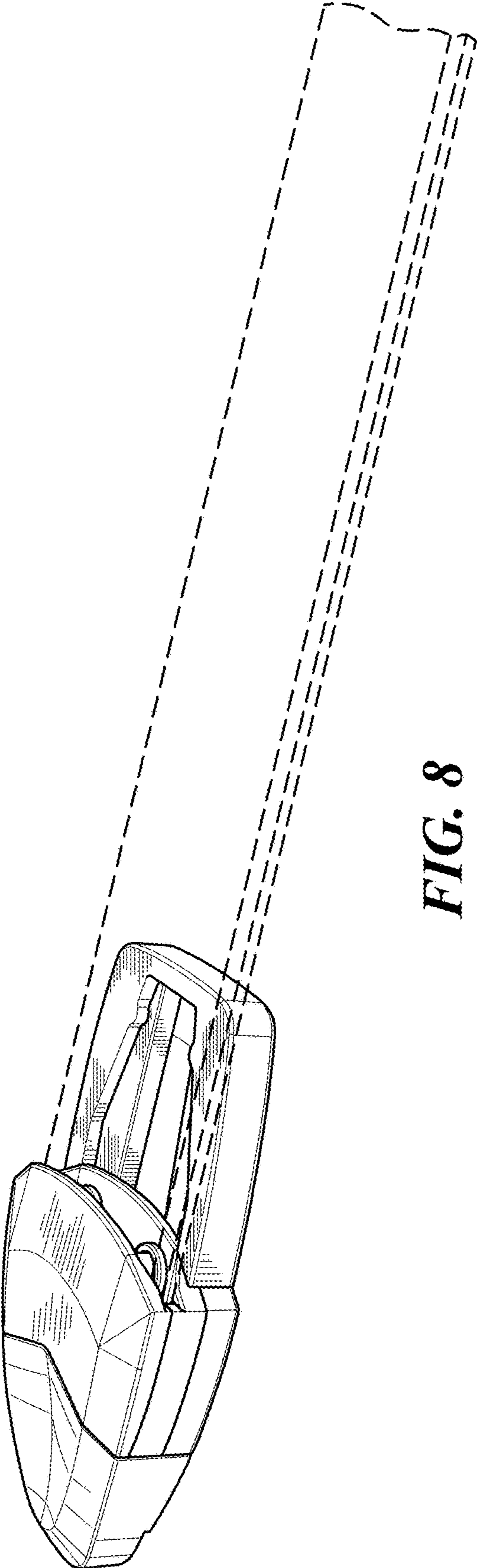


FIG. 8