



US00D776001S

(12) **United States Design Patent**
Jones

(10) **Patent No.:** **US D776,001 S**
(45) **Date of Patent:** **** Jan. 10, 2017**

(54) **TIE CLIP**
(71) Applicant: **David William Jones**, Nieuw-Vennep (NL)
(72) Inventor: **David William Jones**, Nieuw-Vennep (NL)
(**) Term: **15 Years**
(21) Appl. No.: **29/544,371**
(22) Filed: **Nov. 3, 2015**

2,269,769 A * 1/1942 Kennedy A41D 25/08
2/153
2,271,067 A * 1/1942 Fruns A41D 25/022
2/153
D141,678 S * 6/1945 De Ambrogio D11/202
2,450,471 A * 10/1948 Dorkin A41D 25/08
2/153
2,530,975 A * 11/1950 Lewis A41D 25/022
2/150
2,631,292 A * 3/1953 Cunningham A41D 25/022
2/153
3,060,448 A * 10/1962 Mongelli A41D 25/022
2/150
D206,797 S * 1/1967 Kusisto 24/7
3,588,918 A * 6/1971 Thistle A41D 25/12
2/153

(30) **Foreign Application Priority Data**

May 26, 2015 (EM) 002707273-0001
May 26, 2015 (EM) 002707273-0002
May 26, 2015 (EM) 002707273-0003
May 26, 2015 (EM) 002707273-0004

(Continued)
Primary Examiner — Ralf Seifert
(74) *Attorney, Agent, or Firm* — Abelman, Frayne & Schwab

(51) **LOC (10) Cl.** **02-07**
(52) **U.S. Cl.**
USPC **D11/202**

(57) **CLAIM**
The ornamental design for a tie clip, as shown and described.

(58) **Field of Classification Search**
USPC D11/1-2, 200-202, 206-210, 214-218;
24/163 R, 169-171, 173, 177-179, 191,
24/194-195, 197, 200, 614-616, 625,
24/198, 578.11, 578.1, 163 K, 114; 2/150,
2/153; D2/609
CPC A44B 11/26; A44B 11/25; A44B 11/06;
A41D 25/08; A41D 25/022; A41D 25/10;
A41D 25/025
See application file for complete search history.

DESCRIPTION

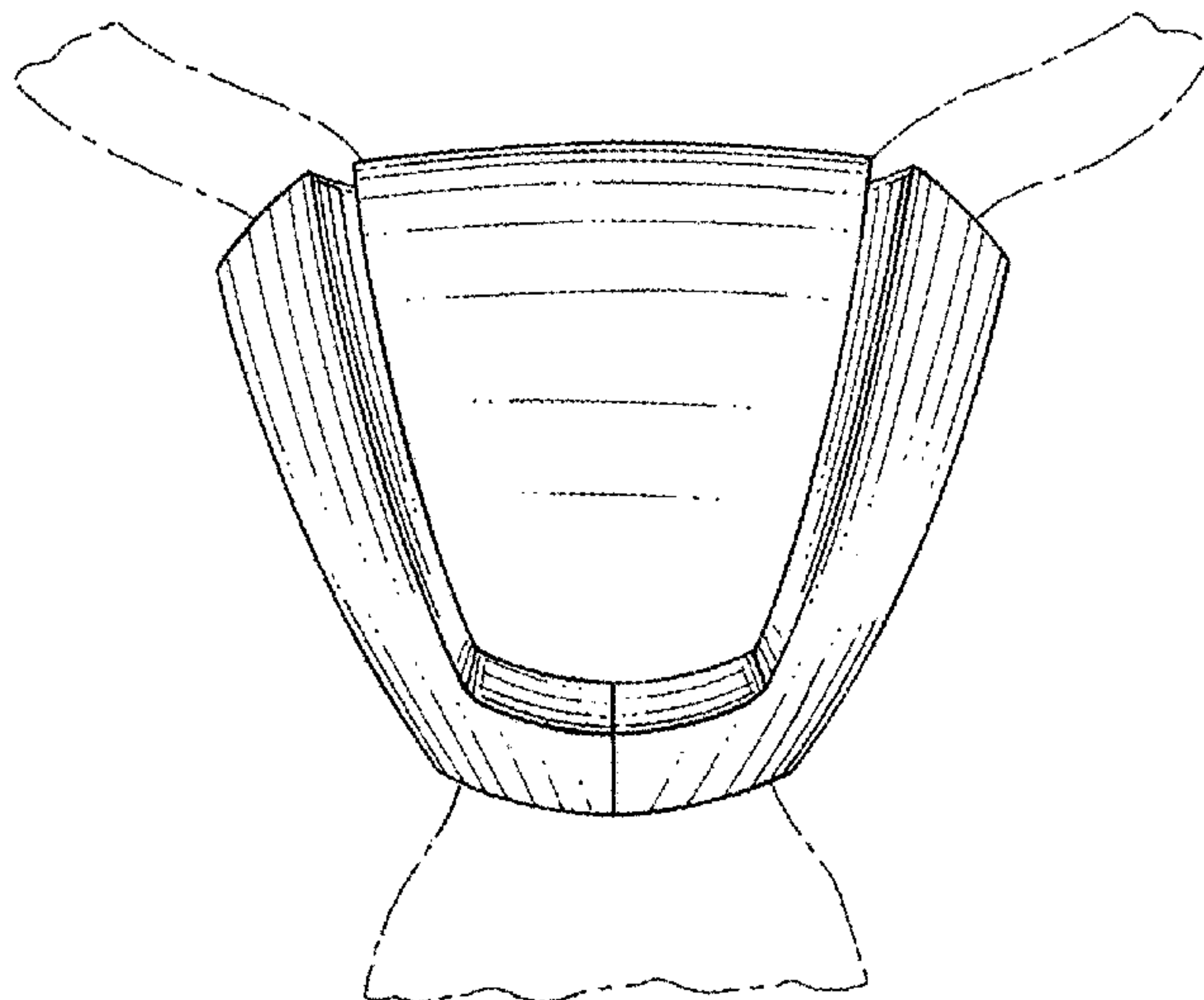
FIG. 1 is a front elevation view of a tie clip showing my new design;
FIG. 2 is a top plan view;
FIG. 3 is a left side elevation view, the right side elevation view being a mirror image;
FIG. 4 is a bottom plan view;
FIG. 5 is a front elevation view of a tie clip showing a second embodiment of my new design;
FIG. 6 is a top plan view of FIG. 5;
FIG. 7 is a left side elevation view of FIG. 5, the right side elevation view being a mirror image; and,
FIG. 8 is a bottom plan view of FIG. 5.
The broken line illustration of environmental structure in the drawing of the tie clip is for illustrative purposes only and forms no part of the claimed design.

(56) **References Cited**

U.S. PATENT DOCUMENTS

1,300,321 A * 4/1919 Wofford A41D 25/025
2/153
D106,785 S * 11/1937 Doree D11/200
D112,055 S * 11/1938 Craighead D11/202
D115,613 S * 7/1939 Craighead D11/202

1 Claim, 4 Drawing Sheets



(56)

References Cited

U.S. PATENT DOCUMENTS

4,542,537	A *	9/1985	Plapp	A41D 25/10 2/148
4,977,624	A *	12/1990	Safford	A41D 25/022 2/153
5,035,002	A *	7/1991	Knight, Jr.	A41D 25/022 2/137
D362,412	S *	9/1995	Westover	D11/202
D392,216	S *	3/1998	Helfer	D11/202
7,162,747	B2 *	1/2007	Sampy	A41D 25/022 2/152.1

* cited by examiner

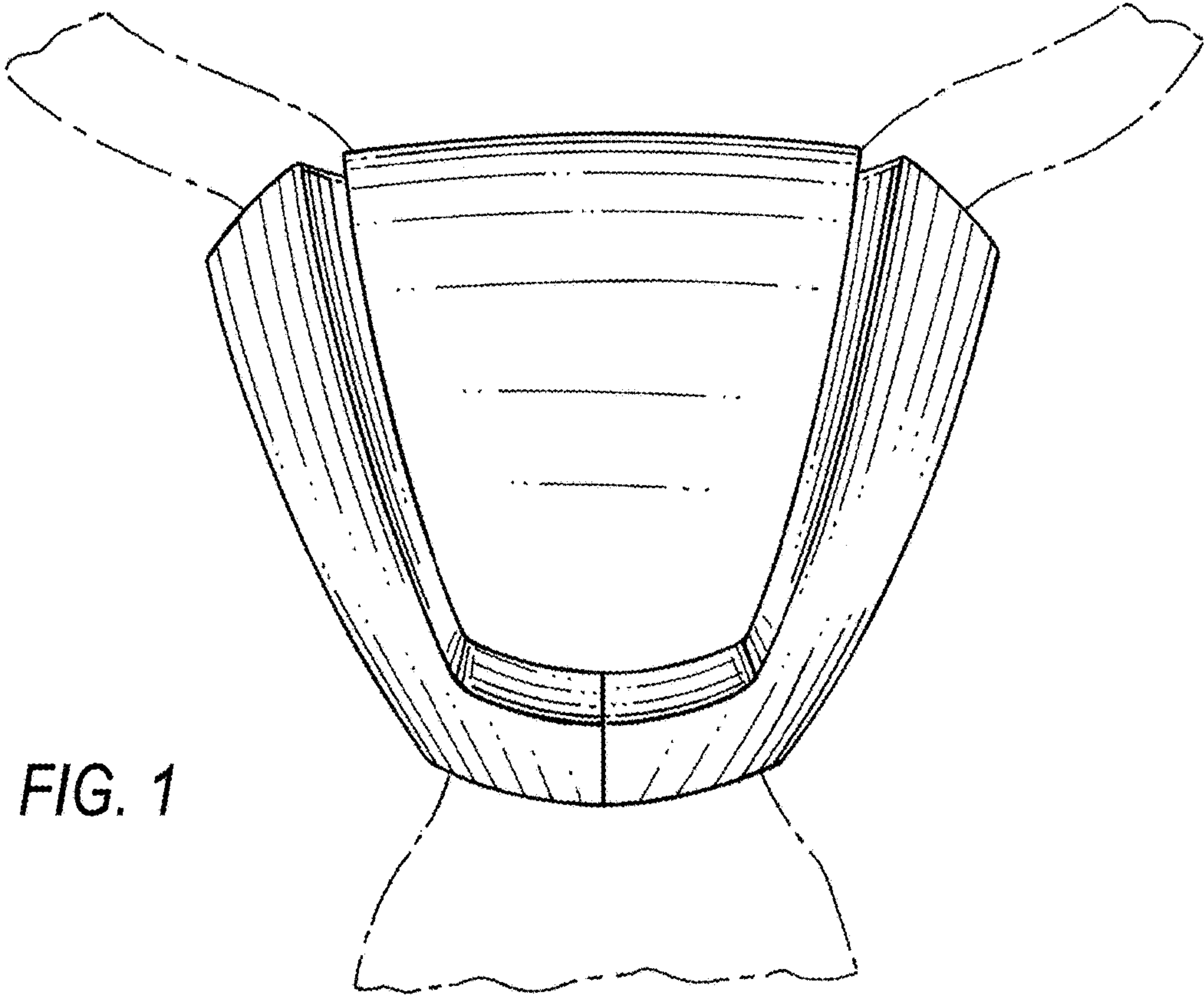


FIG. 1

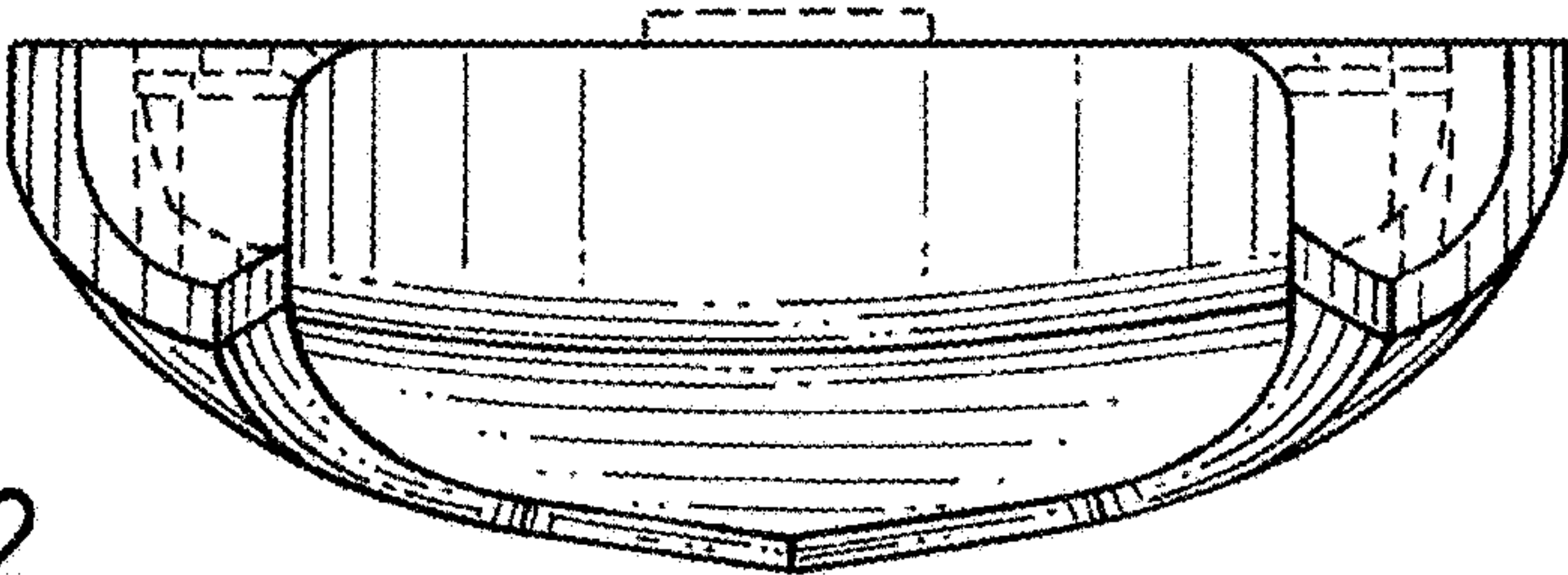


FIG. 2

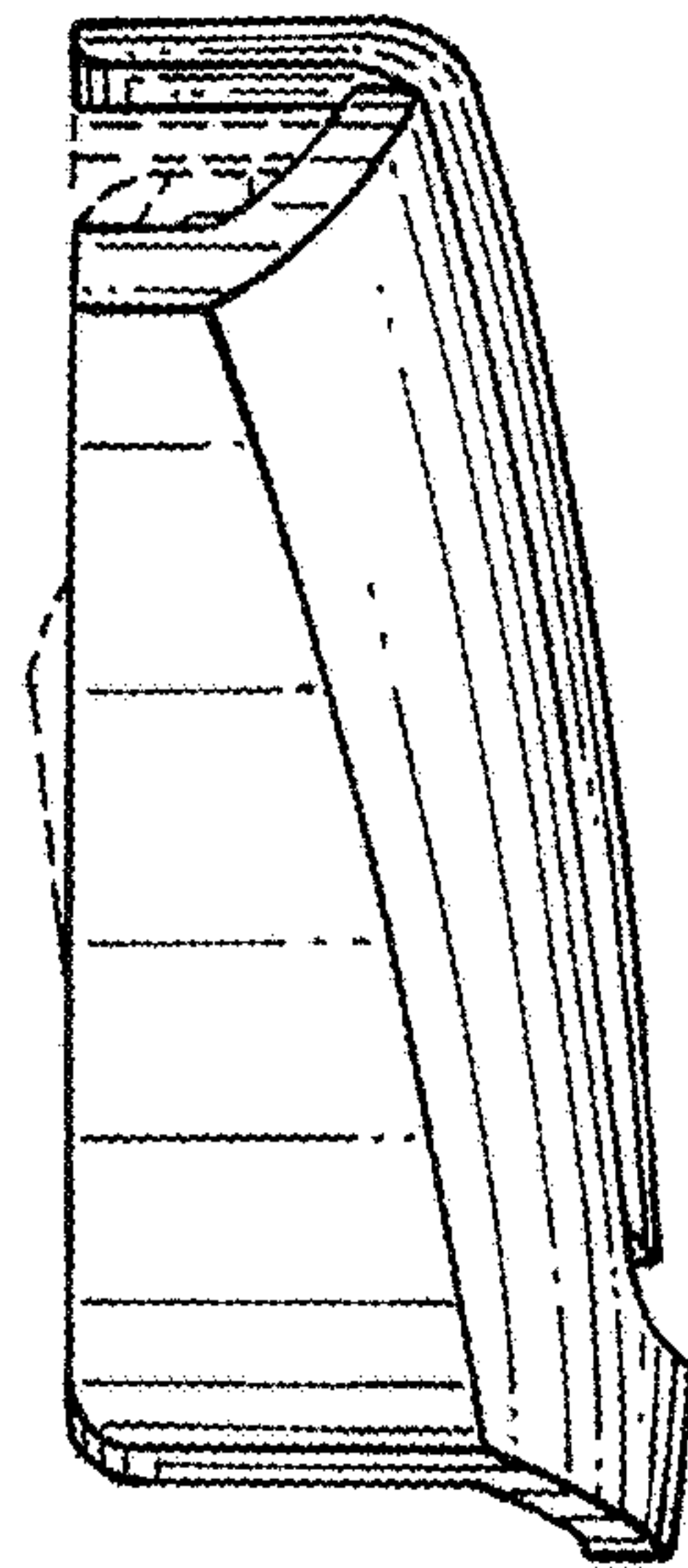


FIG. 3

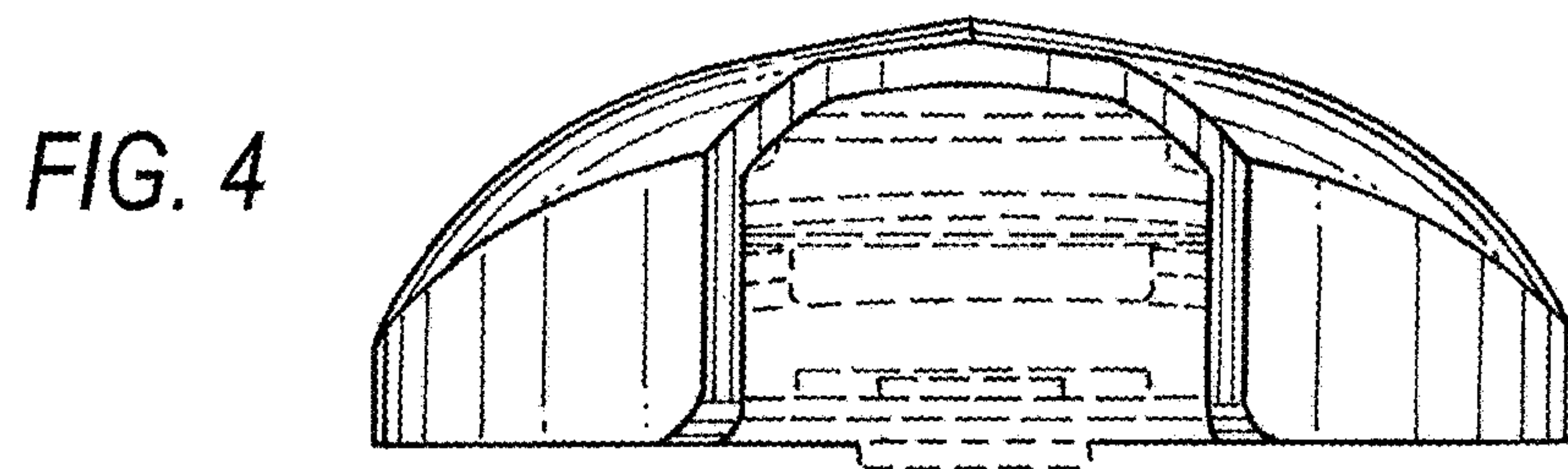


FIG. 4

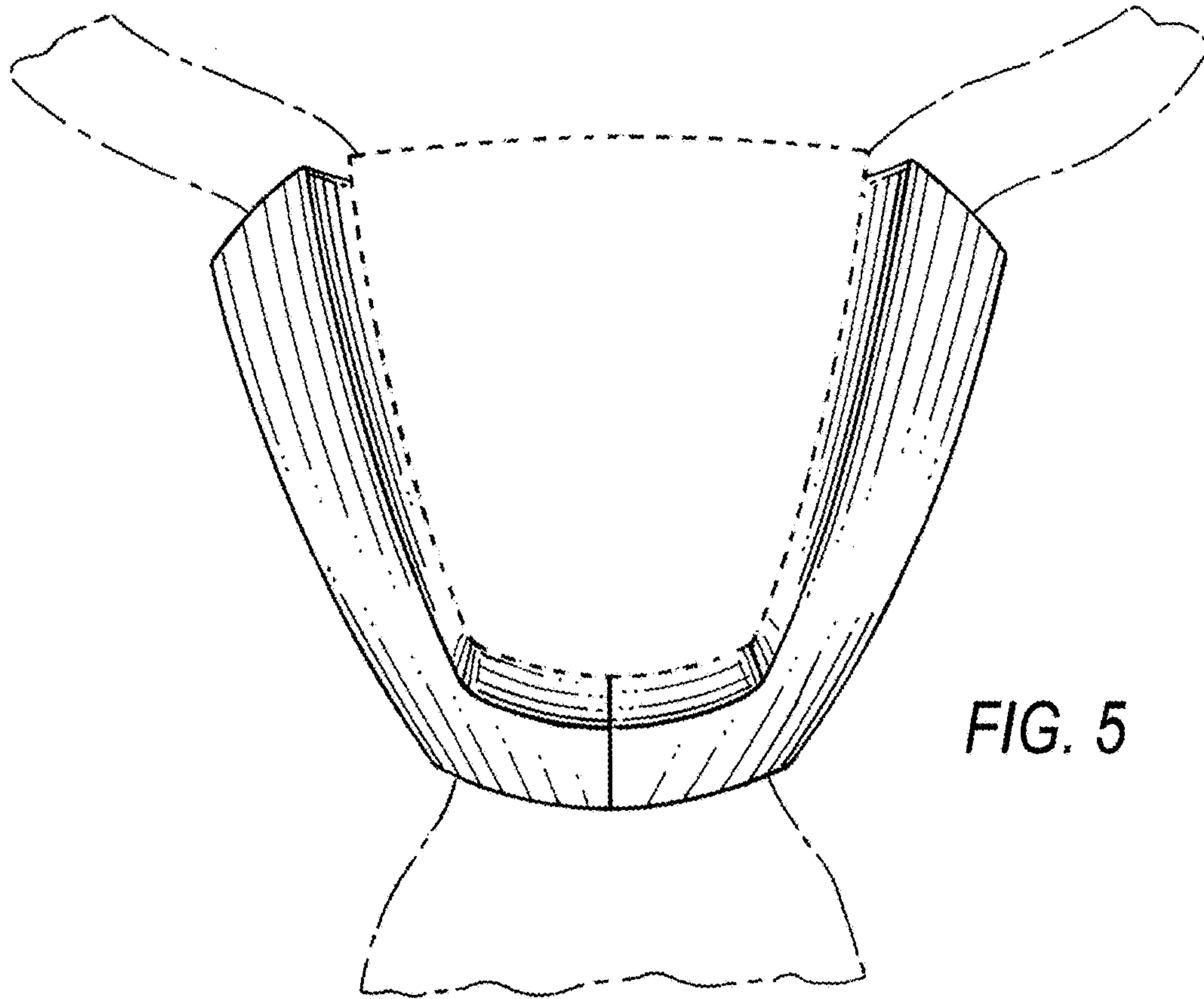


FIG. 5

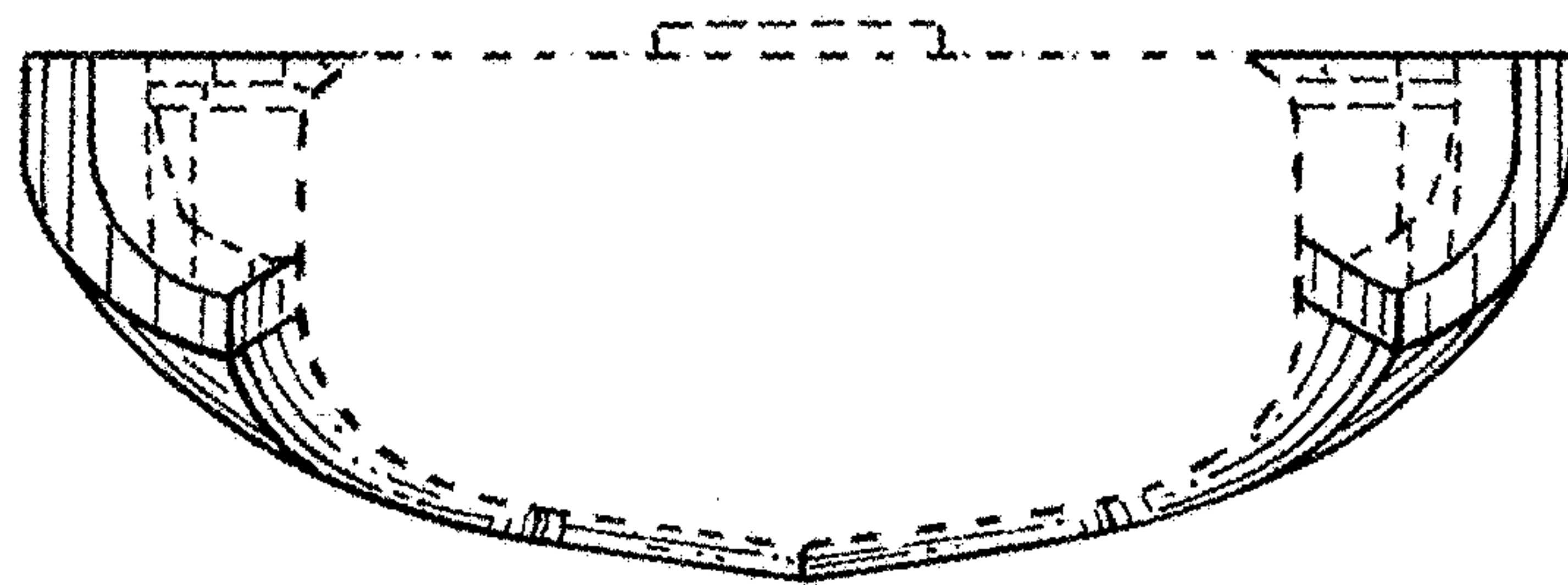


FIG. 6

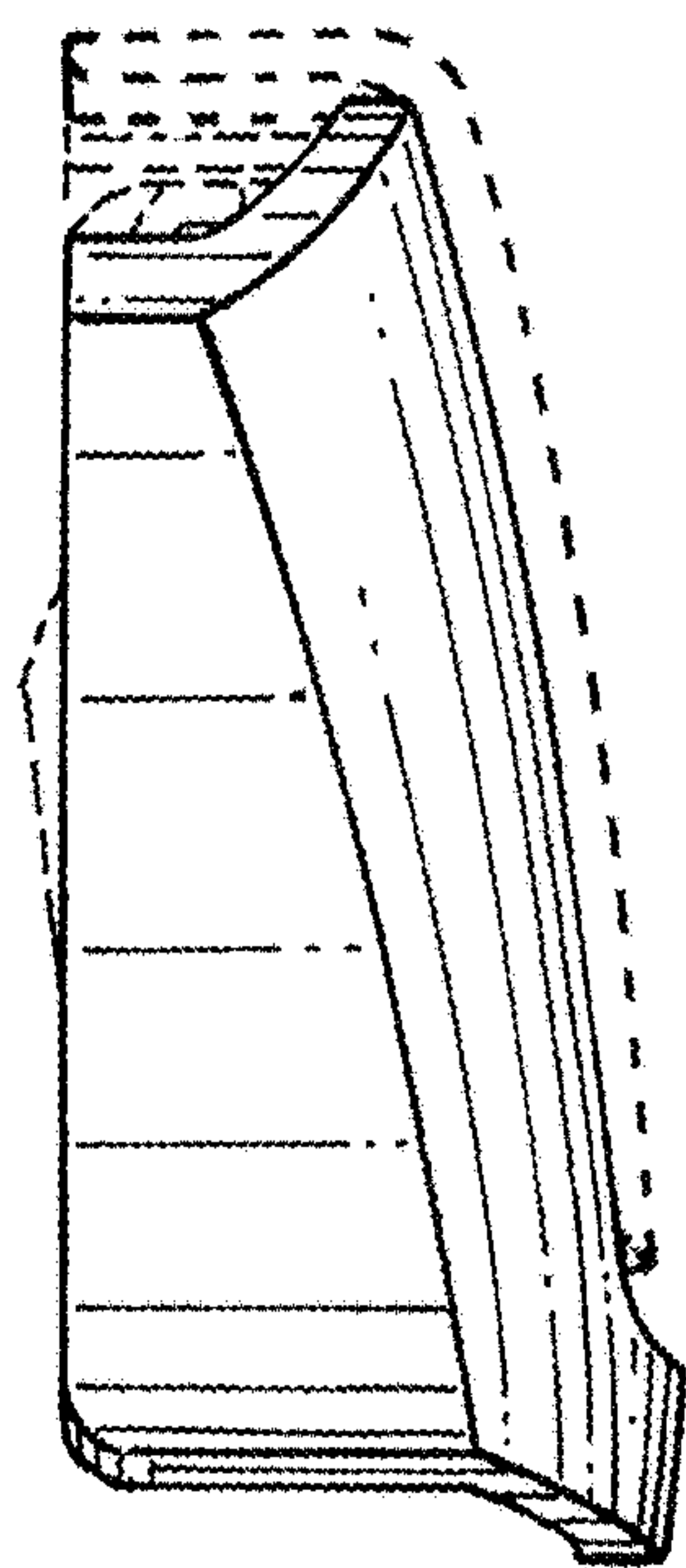


FIG. 7

FIG. 8

