



US00D775999S

(12) **United States Design Patent** (10) **Patent No.:** **US D775,999 S**
Shaffer et al. (45) **Date of Patent:** **** Jan. 10, 2017**

(54) **PLANT POT**
(71) Applicant: **Selfeco LLC**, Stillwater, MN (US)
(72) Inventors: **Chadwick Aaron Shaffer**, Oakdale, MN (US); **Daniel George Mishek**, Roseville, MN (US)
(73) Assignee: **Selfeco LLC**, Stillwater, MN (US)
(**) Term: **14 Years**
(21) Appl. No.: **29/520,556**
(22) Filed: **Mar. 16, 2015**
(51) **LOC (10) Cl.** **11-02**
(52) **U.S. Cl.**
USPC **D11/155**
(58) **Field of Classification Search**
USPC D6/403-405, 556-558; D11/143-156, D11/164; D7/545, 584, 587; 47/67
CPC A01G 9/02; A01G 9/021; A01G 9/023; A01G 9/024; A01G 9/028; A01G 9/04; A01G 9/042; A01G 9/14
See application file for complete search history.

D322,032 S * 12/1991 Palisin, Jr. D34/1
D322,033 S * 12/1991 Palisin, Jr. D9/429
D333,196 S * 2/1993 Dziersek D34/1
D382,230 S * 8/1997 Weder D11/164
5,798,436 A 8/1998 Gruber et al.
D401,530 S * 11/1998 Keskilohko D11/155
6,266,921 B1 * 7/2001 Keskilohko A01G 9/104
47/86

(Continued)

FOREIGN PATENT DOCUMENTS

EP 0 716 804 A1 6/1996

OTHER PUBLICATIONS

U.S. Appl. No. 14/577,112, filed Dec. 19, 2014, titled "Biodegradable Horticulture Container".

(Continued)

Primary Examiner — Elizabeth Albert
(74) *Attorney, Agent, or Firm* — Kagan Binder, PLLC

(57) **CLAIM**

The ornamental design for a plant pot, as shown and described.

DESCRIPTION

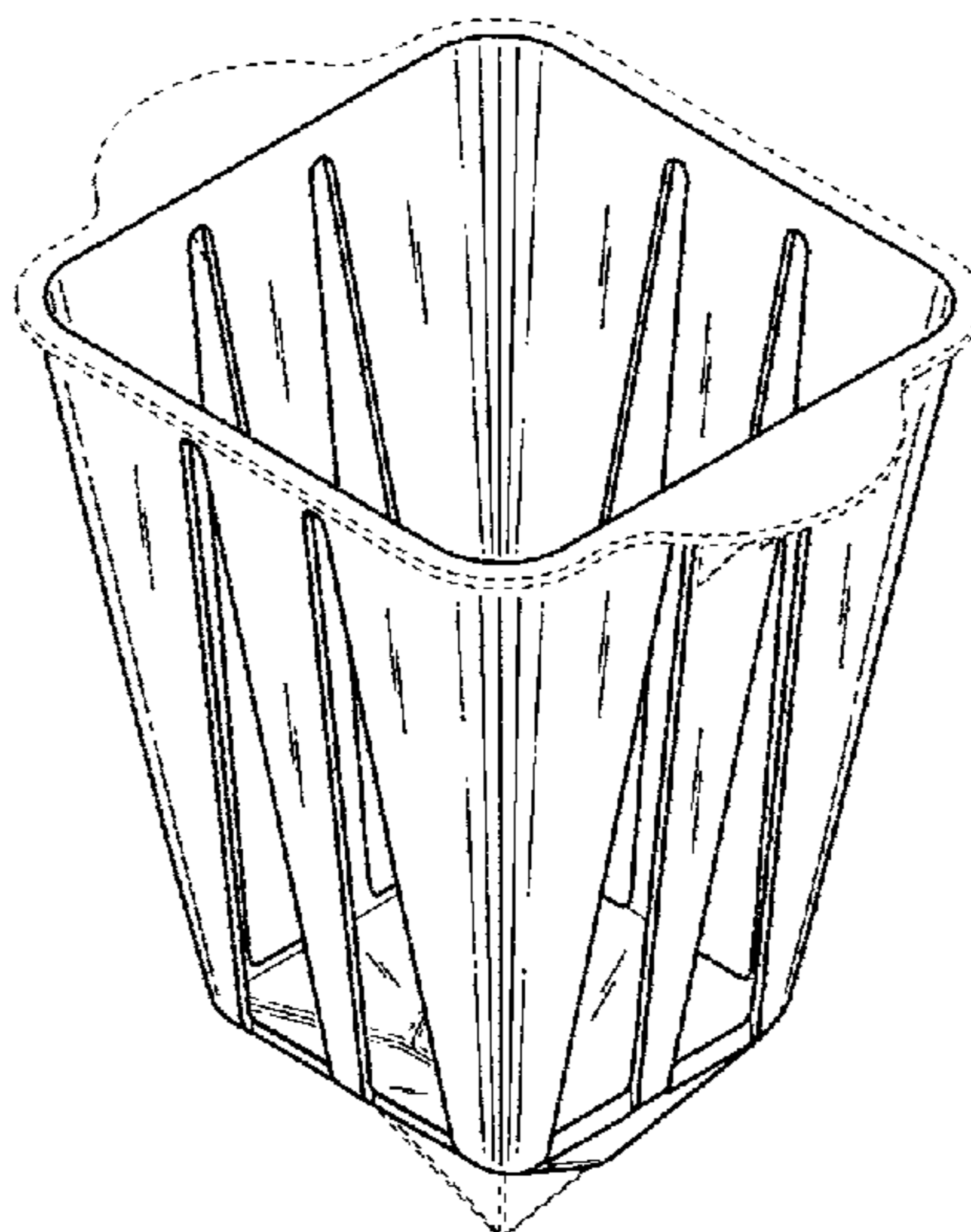
FIG. 1 is a perspective view of a plant pot showing our new design;
FIG. 2 is a front elevational view thereof, the back elevational view being a mirror image of the front view;
FIG. 3 is a right side view thereof, the left side elevational view being a mirror image of the right side view;
FIG. 4 is a top plan view thereof; and,
FIG. 5 is a bottom plan view thereof.
The broken lines are included for the purpose of showing portions of the plant pot that form no part of the claimed design.

1 Claim, 3 Drawing Sheets

(56) **References Cited**

U.S. PATENT DOCUMENTS

D54,749 S * 3/1920 Huntley D7/523
2,016,434 A * 10/1935 Huntley B65D 1/265
229/400
2,102,510 A * 12/1937 Cecil, II B65D 3/28
229/117.12
2,459,073 A * 1/1949 Hamilton B65D 3/28
222/572
D192,811 S * 5/1962 Guarriello D11/155
4,389,814 A * 6/1983 Andreason A01G 9/104
428/178
D317,567 S * 6/1991 Lane, Sr. D9/425
D320,744 S * 10/1991 Palisin, Jr. D9/429
D321,652 S * 11/1991 Palisin, Jr. D9/429



(56)

References Cited

U.S. PATENT DOCUMENTS

D473,463 S * 4/2003 Armstrong D9/431
D514,390 S * 2/2006 Palder D7/602
D605,375 S * 12/2009 Anderson D23/202
D625,067 S * 10/2010 Shannon D34/1
D630,547 S * 1/2011 Aoyama D11/152
D631,391 S * 1/2011 Aoyama D11/152
D640,034 S * 6/2011 Martheenal D34/39
8,205,492 B2 * 6/2012 Martheenal E03B 3/03
73/170.17
D726,071 S * 4/2015 Aoyama D11/155
2009/0272033 A1 11/2009 Paleari

OTHER PUBLICATIONS

U.S. Appl. No. 14/658,724, filed Mar. 16, 2015, titled "Biodegradable Plant Shield Protection".

* cited by examiner

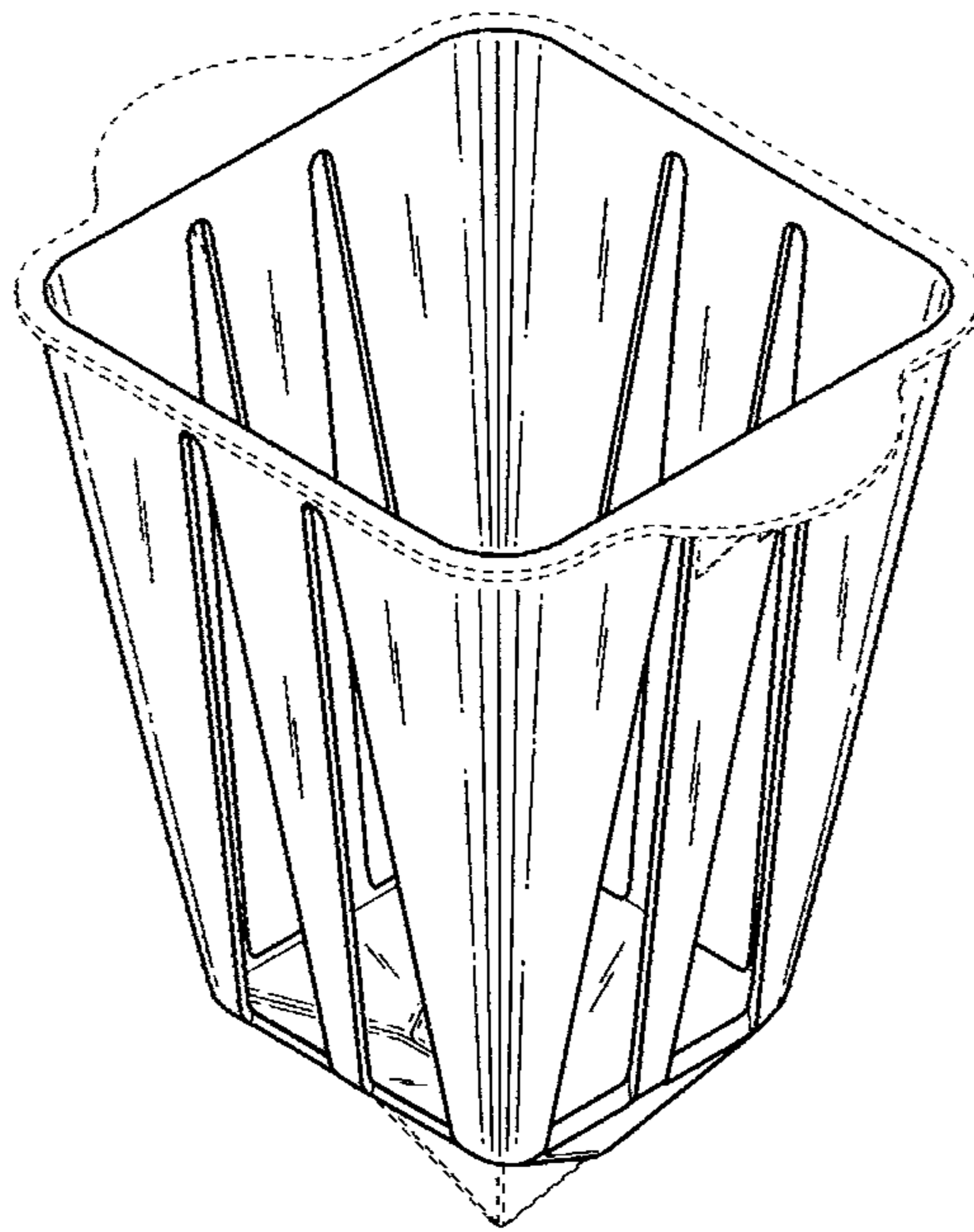


Fig. 1

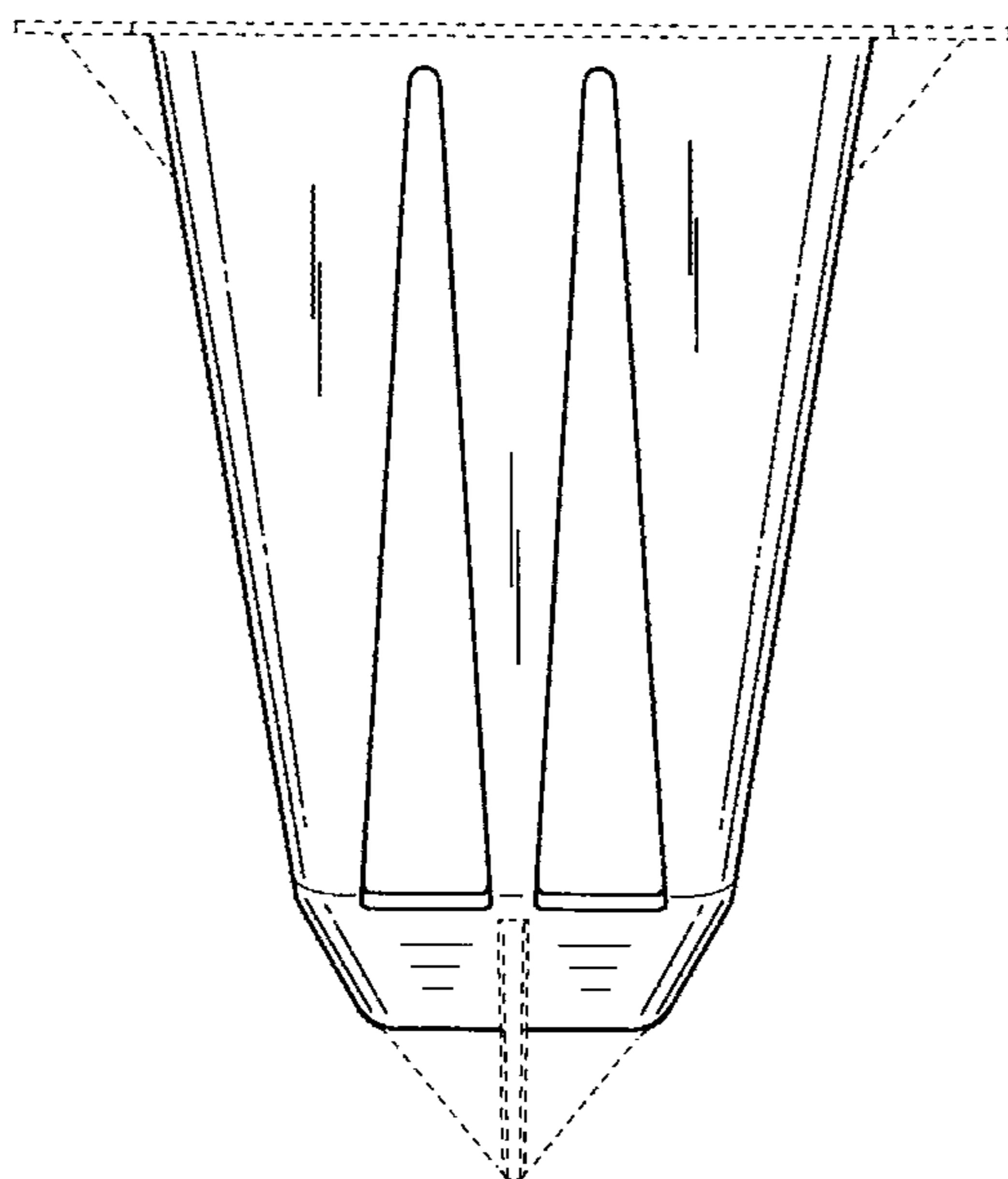


Fig. 2

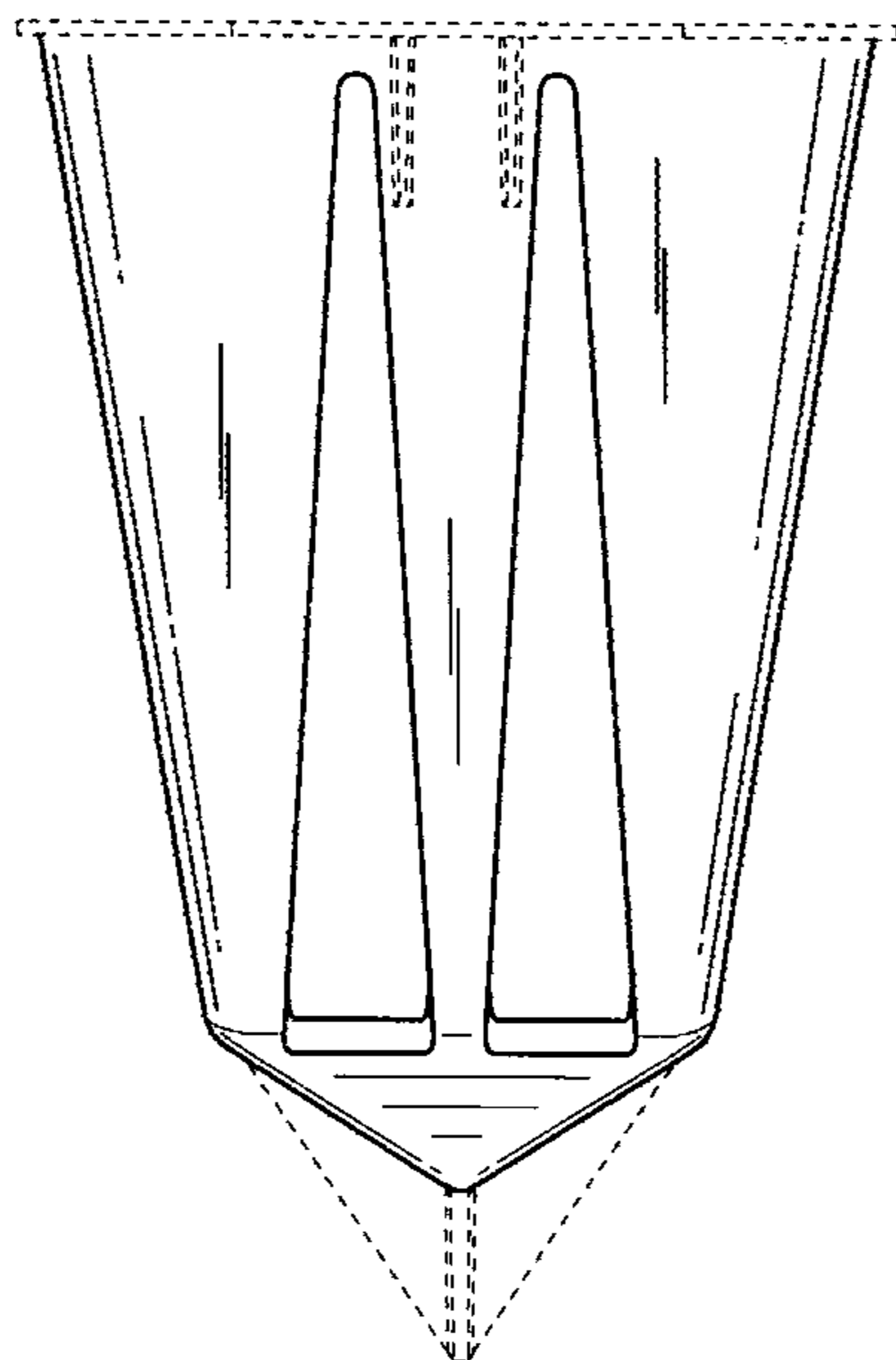


Fig. 3

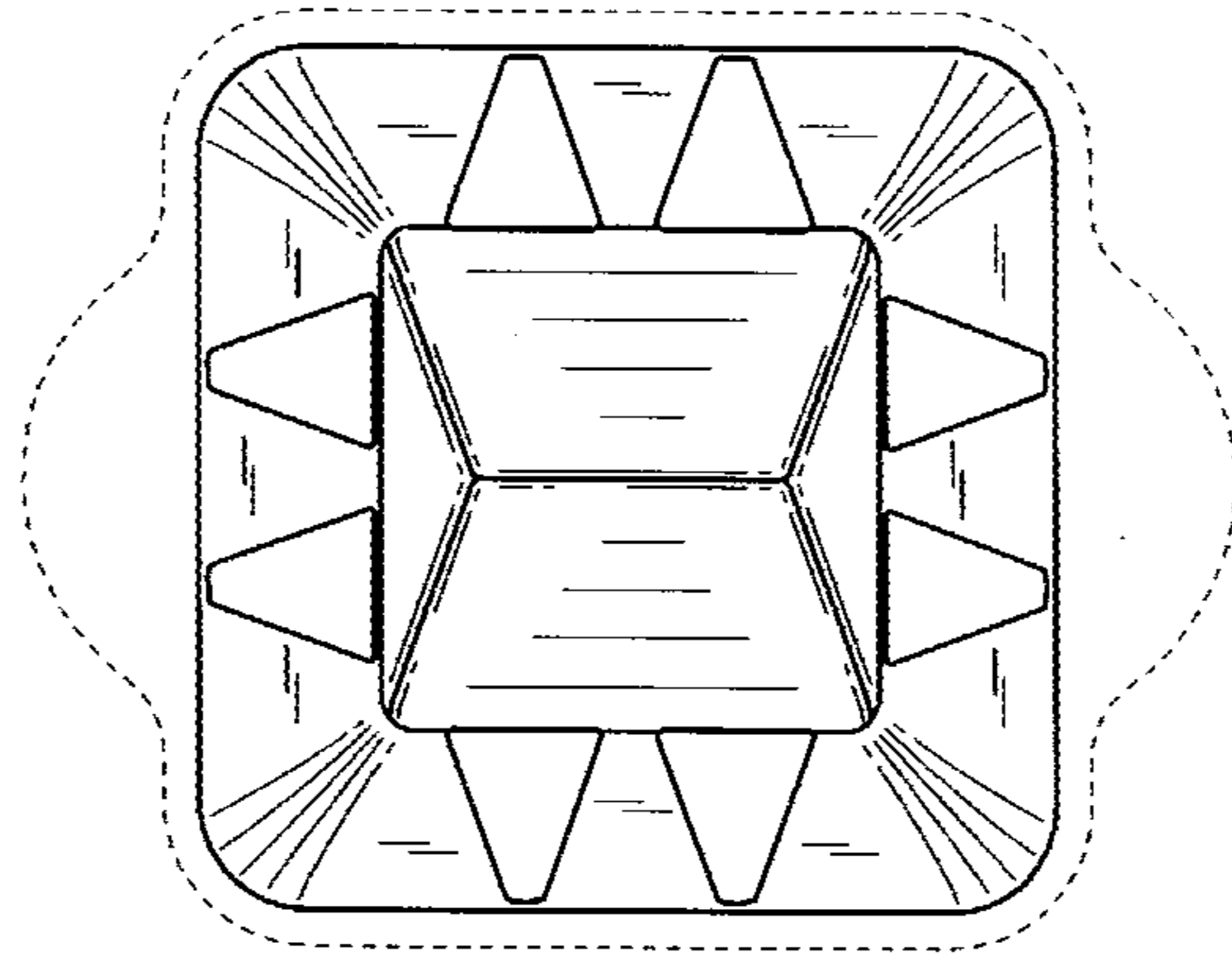


Fig. 4

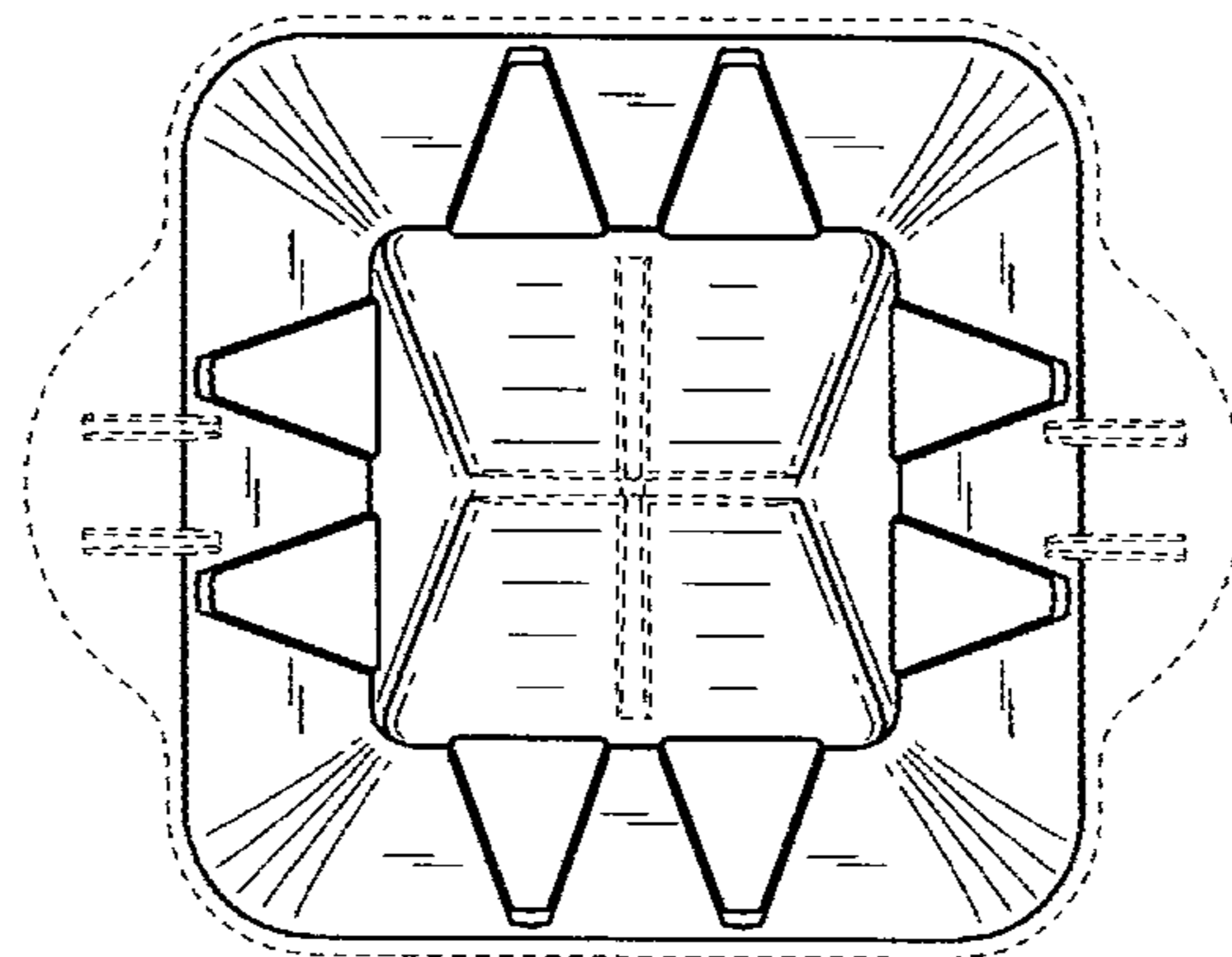


Fig. 5