



US00D775989S

(12) **United States Design Patent**
Kalanick et al.

(10) **Patent No.:** **US D775,989 S**
(45) **Date of Patent:** **** Jan. 10, 2017**

(54) **ILLUMINATABLE SIGNAGE DEVICE**

(71) Applicant: **Uber Technologies, Inc.**, San Francisco, CA (US)

(72) Inventors: **Travis Kalanick**, San Francisco, CA (US); **Shalin Amin**, San Francisco, CA (US); **Yves Behar**, San Francisco, CA (US); **Noah Murphy-Reinhertz**, San Francisco, CA (US); **Liam Adelman**, San Francisco, CA (US); **Stephen Braitsch**, San Francisco, CA (US); **Giulia Borghini**, San Francisco, CA (US); **Willy Carteau**, San Francisco, CA (US)

(73) Assignee: **Uber Technologies, Inc.**, San Francisco, CA (US)

(**) Term: **14 Years**

(21) Appl. No.: **29/498,383**

(22) Filed: **Aug. 3, 2014**

(51) **LOC (10) Cl.** **10-05**

(52) **U.S. Cl.**
USPC **D10/109.1**

(58) **Field of Classification Search**
USPC D10/109.1; D20/10
CPC G02B 6/0091; G02B 6/0071
See application file for complete search history.

(56) **References Cited**

U.S. PATENT DOCUMENTS

- 1,707,965 A * 4/1929 Scantlebury G02B 6/0091
340/815.56
- D116,605 S * 9/1939 Houle D20/10
- 2,566,458 A * 9/1951 Macau V. G02B 6/0071
362/217.11

- D308,543 S * 6/1990 Hunter D20/10
- D331,980 S * 12/1992 Henderson D20/10
- D350,367 S * 9/1994 McKelvey D20/10
- D350,774 S * 9/1994 King D20/10
- D366,126 S 1/1996 Lin
- D394,881 S * 6/1998 Patel D20/10
- D470,805 S 2/2003 Criger
- D726,362 S 4/2015 Kim
- D737,500 S 8/2015 Santoro
- D744,040 S * 11/2015 Schloss D20/10

(Continued)

Primary Examiner — George D Kirschbaum

(74) *Attorney, Agent, or Firm* — Mahamedi IP Law LLP

(57) **CLAIM**

The ornamental design for an illuminatable signage device, as shown and described.

DESCRIPTION

FIG. 1 is a perspective view of an illuminatable signage device for placement on a roof of a vehicle or a suitably dimensioned mobile environment, under a first embodiment. FIG. 2 is a front view of the illuminatable signage device of FIG. 1.

FIG. 3 is a back view of the illuminatable signage device of FIG. 1.

FIG. 4 is a right side view of the illuminatable signage device of FIG. 1.

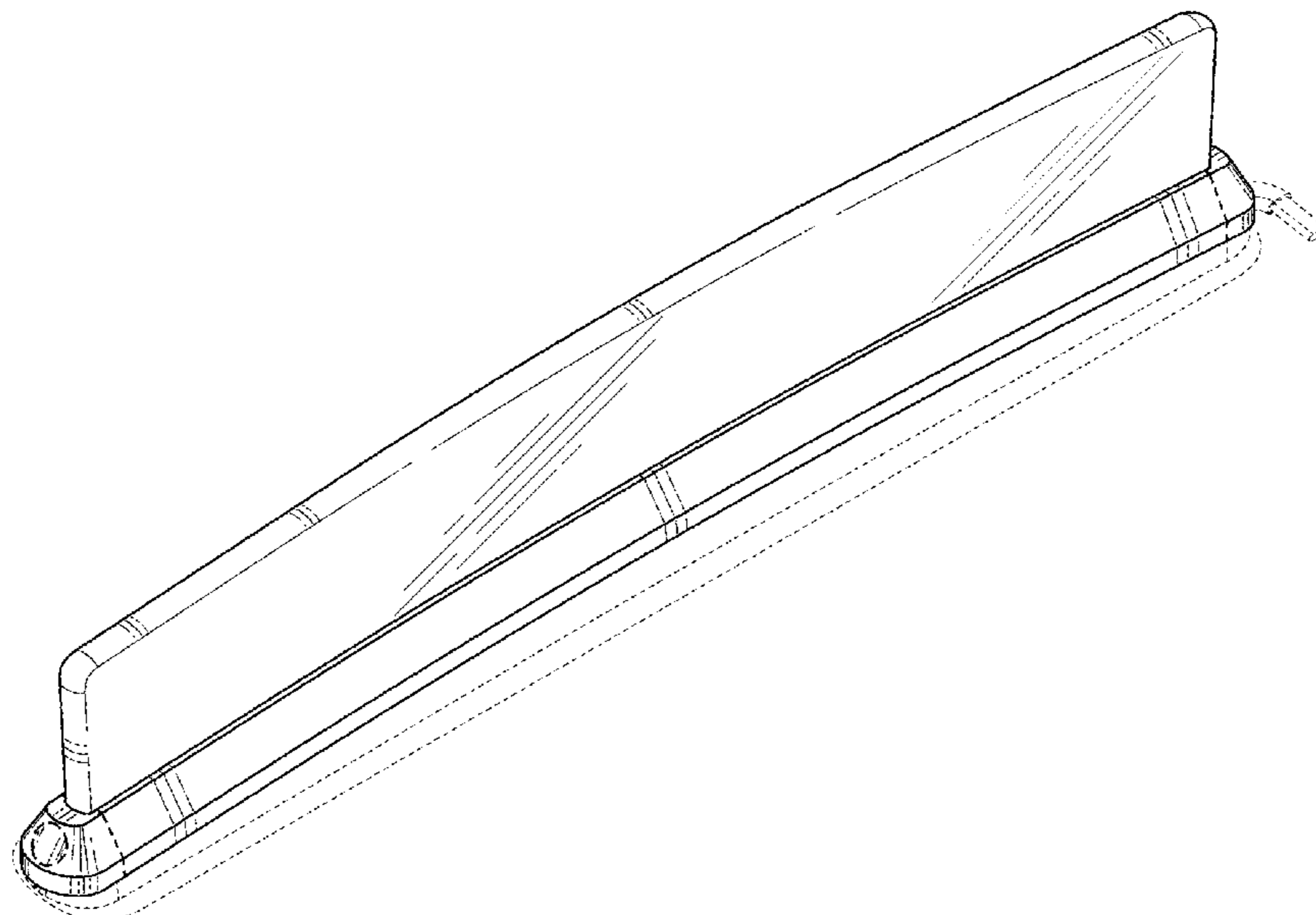
FIG. 5 is a left side view of the illuminatable signage device of FIG. 1.

FIG. 6 is a top view of the illuminatable signage device of FIG. 1; and,

FIG. 7 is a bottom view of the illuminatable signage device of FIG. 1, excluding the unclaimed portions of the illuminatable signage device of FIG. 1.

The broken lines shown in the drawings are for the purpose of illustrating the environment of the illuminatable signage device, and form no part of the claimed design.

1 Claim, 7 Drawing Sheets



(56)

References Cited

U.S. PATENT DOCUMENTS

D755,658 S * 5/2016 Daba D10/109.1

* cited by examiner

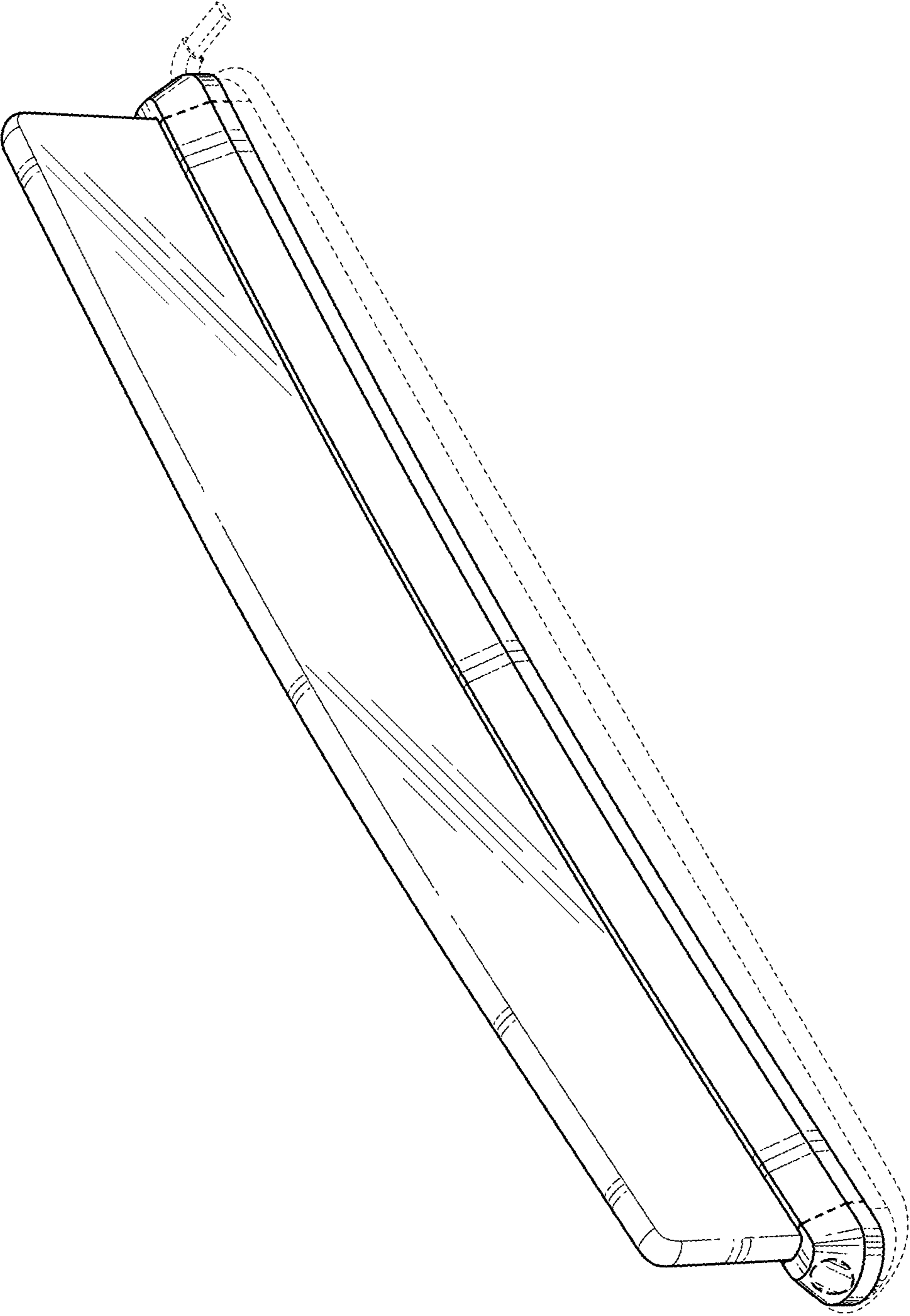


FIG. 1

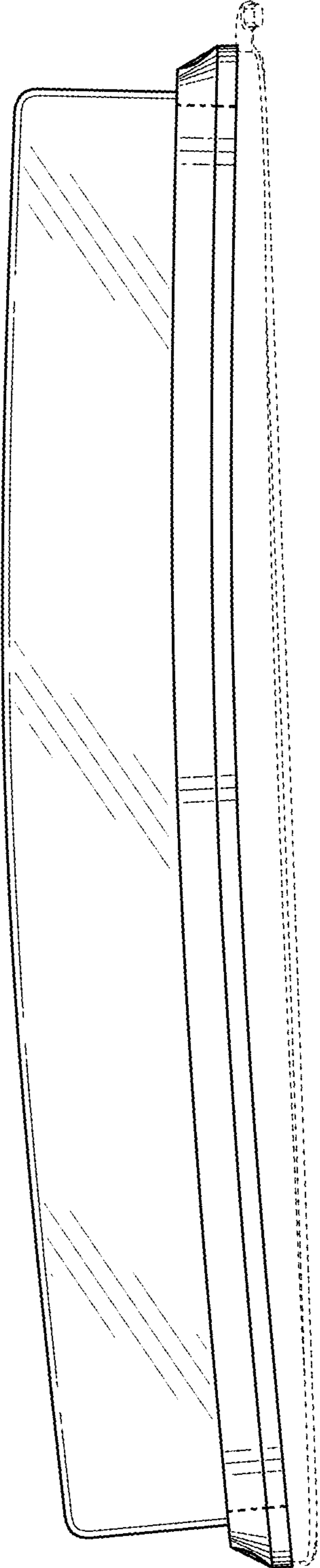


FIG. 2

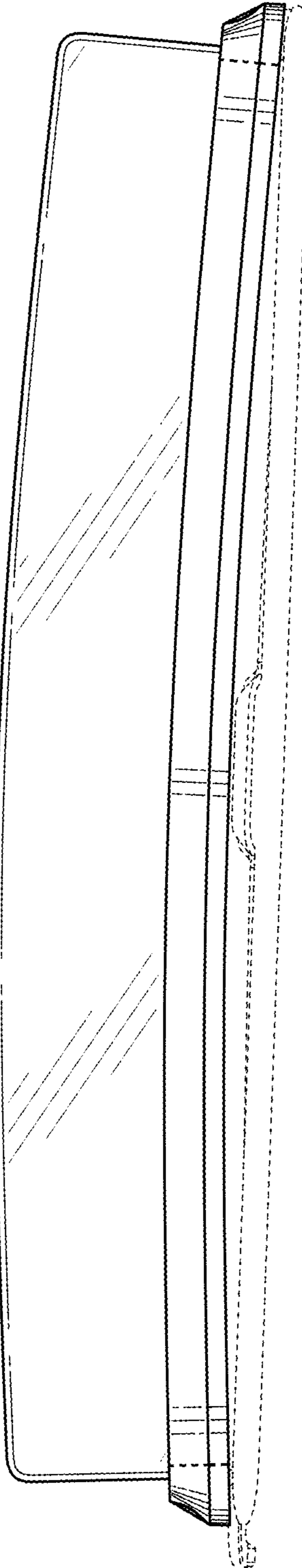


FIG. 3

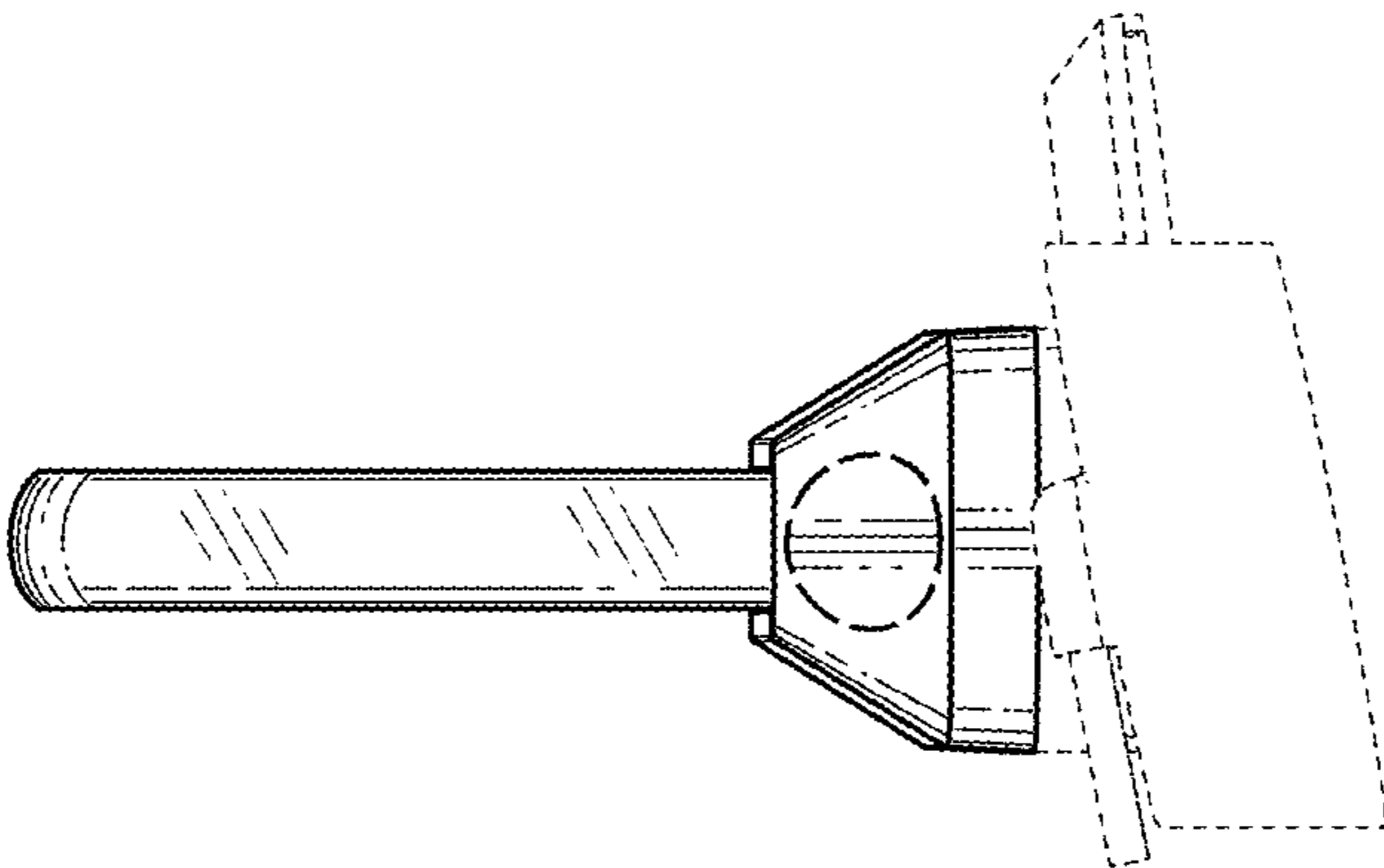


FIG. 4

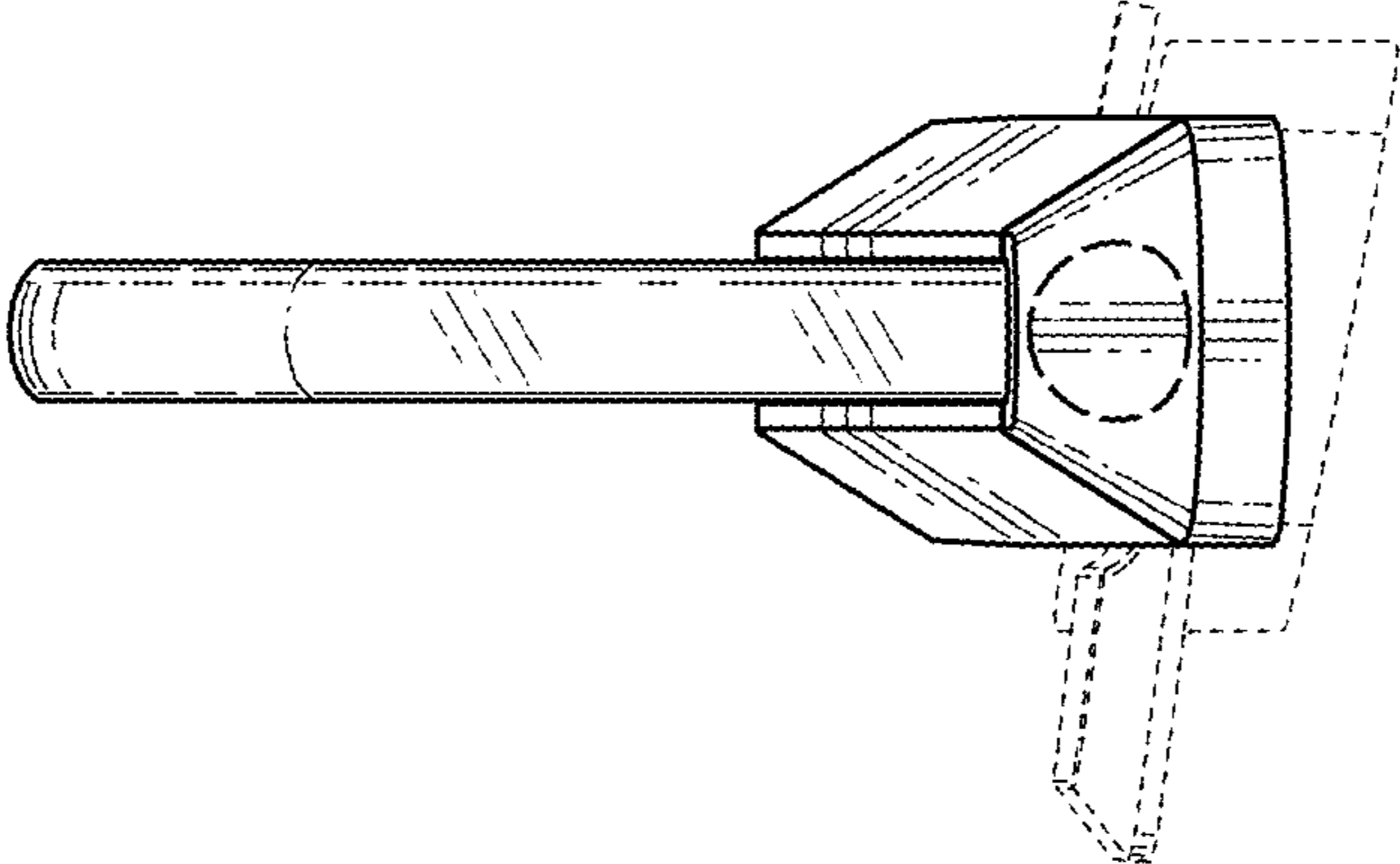


FIG. 5

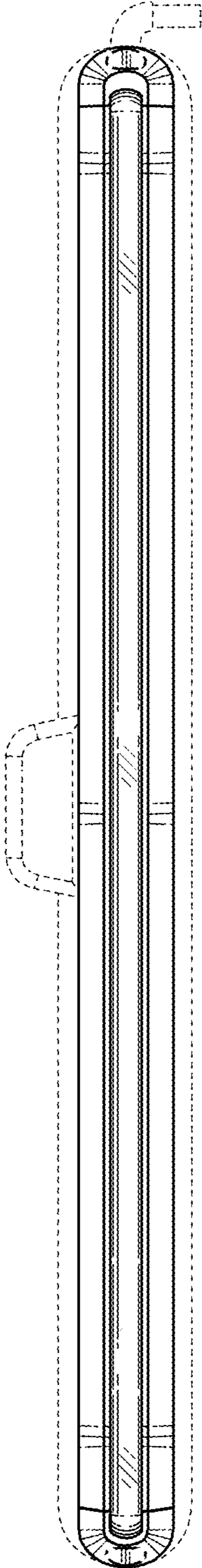


FIG. 6

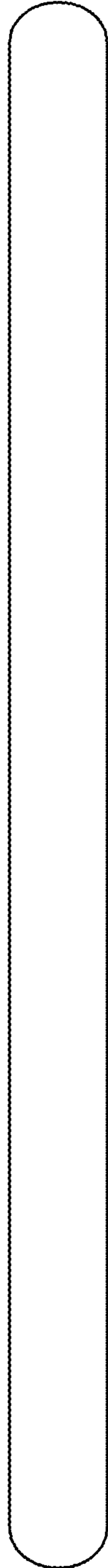


FIG. 7