



US00D775986S

(12) **United States Design Patent**
Borie

(10) **Patent No.:** **US D775,986 S**
(45) **Date of Patent:** **** Jan. 10, 2017**

- (54) **SENSOR CONTROL INTERFACE**
- (71) Applicant: **EUROSMART**, Lagny-sur-Marne (FR)
- (72) Inventor: **Jean-Marc Borie**, Emerainville (FR)
- (73) Assignee: **EUROSMART**, Lagny-sur-Marne (FR)
- (**) Term: **14 Years**
- (21) Appl. No.: **29/518,918**
- (22) Filed: **Feb. 27, 2015**

D753,607 S * 4/2016 Lee D13/162
 D755,783 S * 5/2016 Shi D14/336
 D755,788 S * 5/2016 Mitchell D14/371

* cited by examiner

Primary Examiner — Antoine D Davis
 (74) *Attorney, Agent, or Firm* — Nicholas Trenkle; Stites & Harbison, PLLC

(30) **Foreign Application Priority Data**

Aug. 29, 2014 (EM) 002528000-0001

(51) **LOC (10) Cl.** **10-04**

(52) **U.S. Cl.**
 USPC **D10/81; D10/60; D10/102; D10/103;**
D13/162.1; D14/188; D14/189; D24/185

(58) **Field of Classification Search**
 USPC D10/46, 60, 81, 102, 103; D13/162,
 D13/162.1, 168, 177; D14/126, 336, 371,
 D14/374, 388, 389; D24/185, 186, 234
 CPC ... A61B 5/4869; A61B 5/4872; A61B 5/0537;
 A61B 5/742–5/745; A61B
 8/46–8/469; G01G 1/00–1/42; G01G
 3/00–3/18; G01G 5/00–5/06; G01G
 7/00–7/06; G01G 9/00; G01G
 9/005; G01G 11/00

See application file for complete search history.

(56) **References Cited**

U.S. PATENT DOCUMENTS

D683,034 S * 5/2013 Shigeno D24/186
 D735,680 S * 8/2015 Harrison D13/162

(57) **CLAIM**

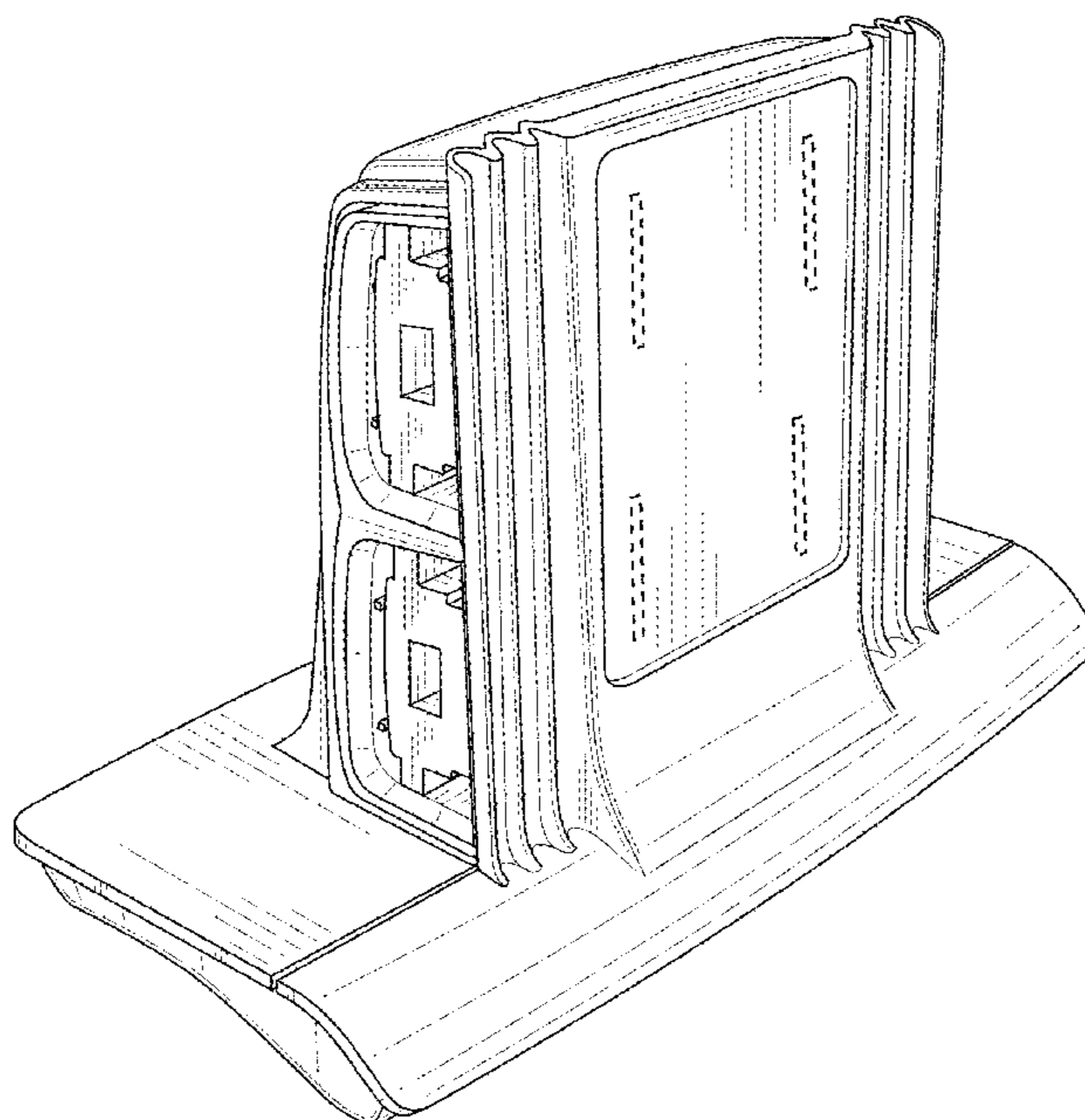
The ornamental design for a sensor control interface, as shown and described.

DESCRIPTION

FIG. 1 is a front perspective view of a sensor control interface showing my new design;
 FIG. 2 is a rear perspective view thereof;
 FIG. 3 is a left-side perspective view thereof (the right side of the sensor control interface is a mirror image of the left side thereof);
 FIG. 4 is a bottom perspective view thereof;
 FIG. 5 is a top perspective view thereof;
 FIG. 6 is a second front perspective view thereof with a detachable sensor attached thereto;
 FIG. 7 is a third front perspective view thereof with four detachable sensors attached thereto; and,
 FIG. 8 is a right, front, and top-side perspective view thereof.

The surfaces or portions not shown in the drawings or described in the specification form no part of the claimed design. The portions shown in broken lines in the drawings, including the detachable sensor attachments shown within the broken lines in FIGS. 6 and 7, are provided for environmental purposes only and form no part of the claimed design.

1 Claim, 8 Drawing Sheets



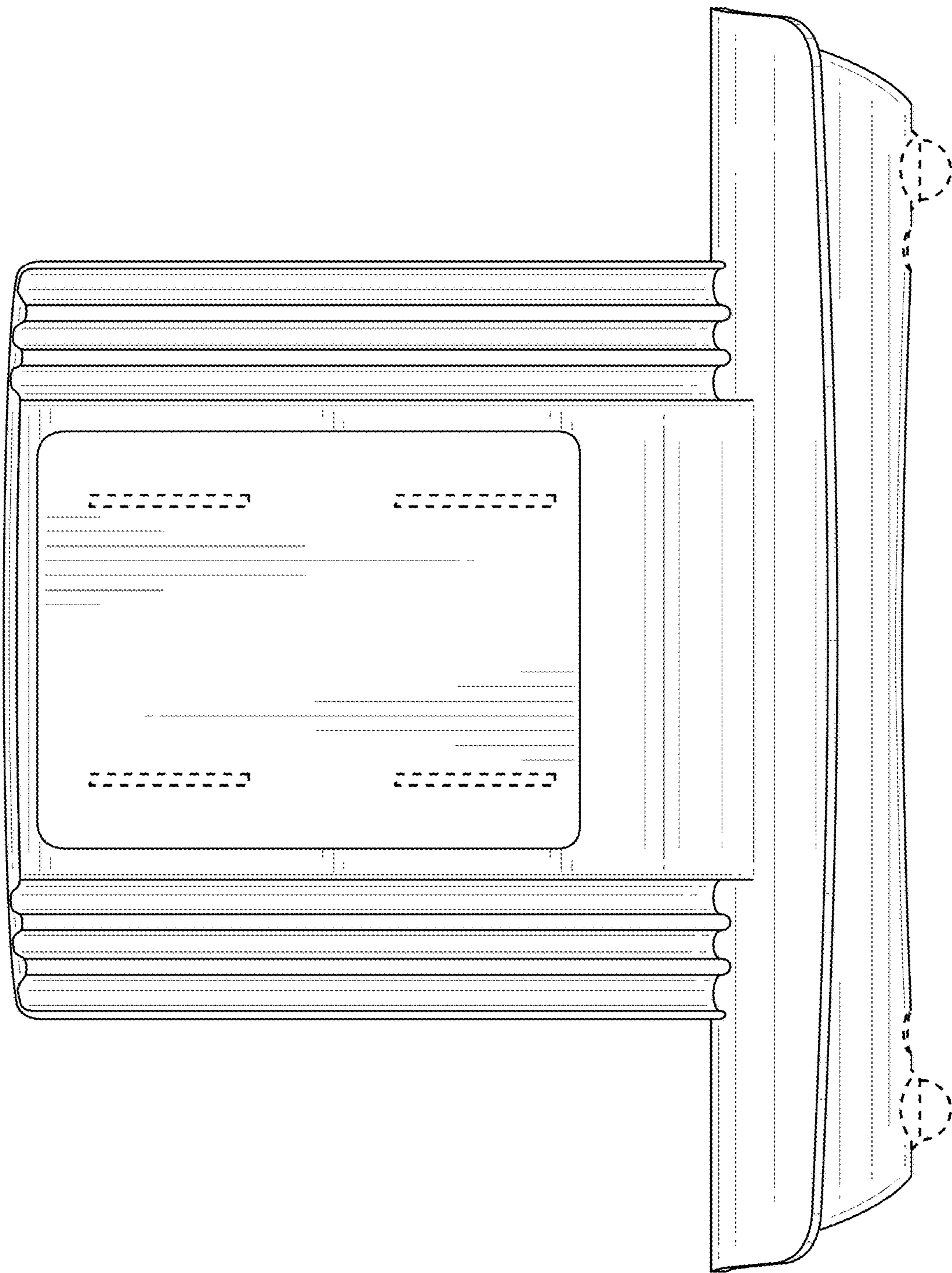


FIG. 1

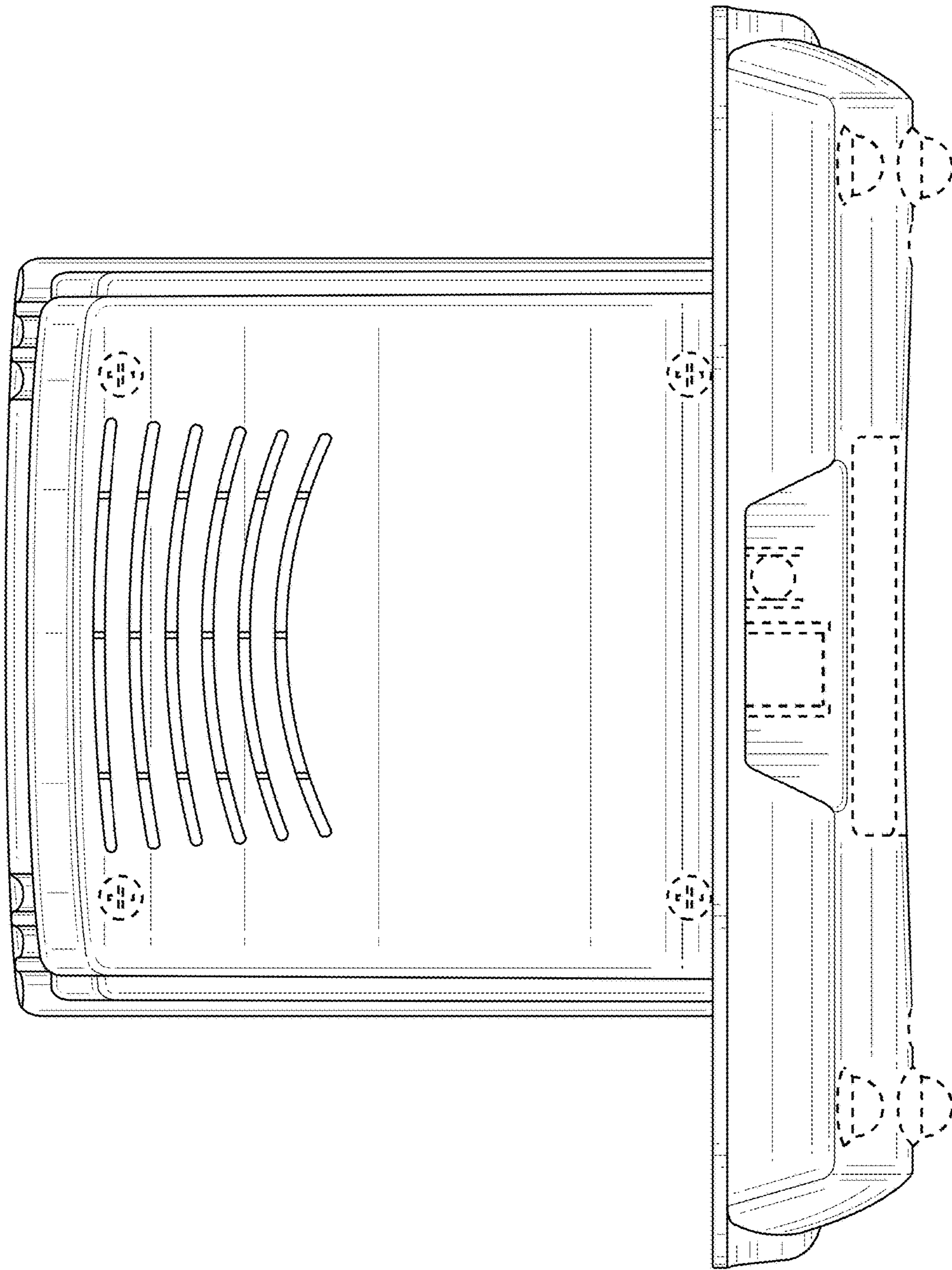


FIG. 2

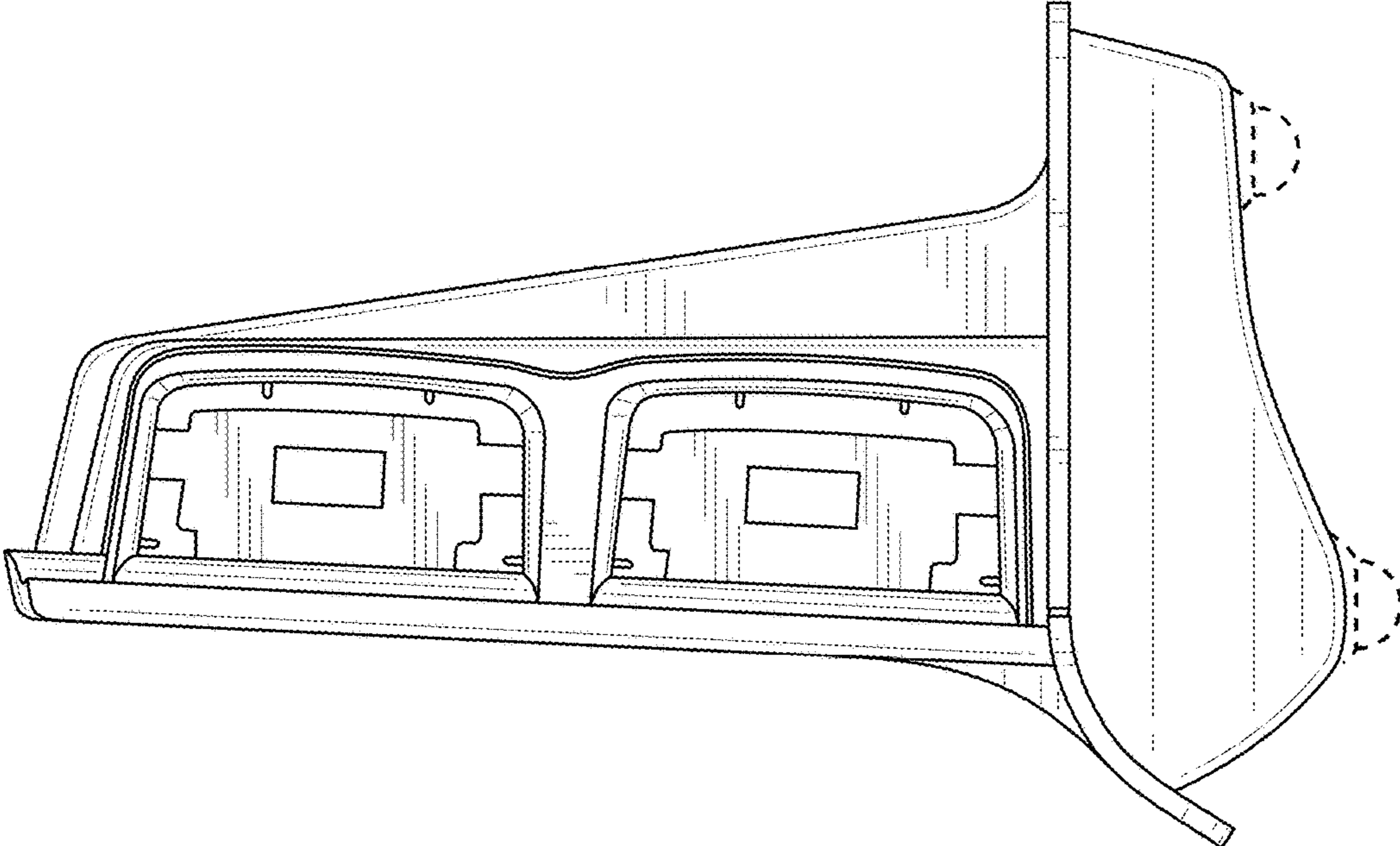


FIG. 3

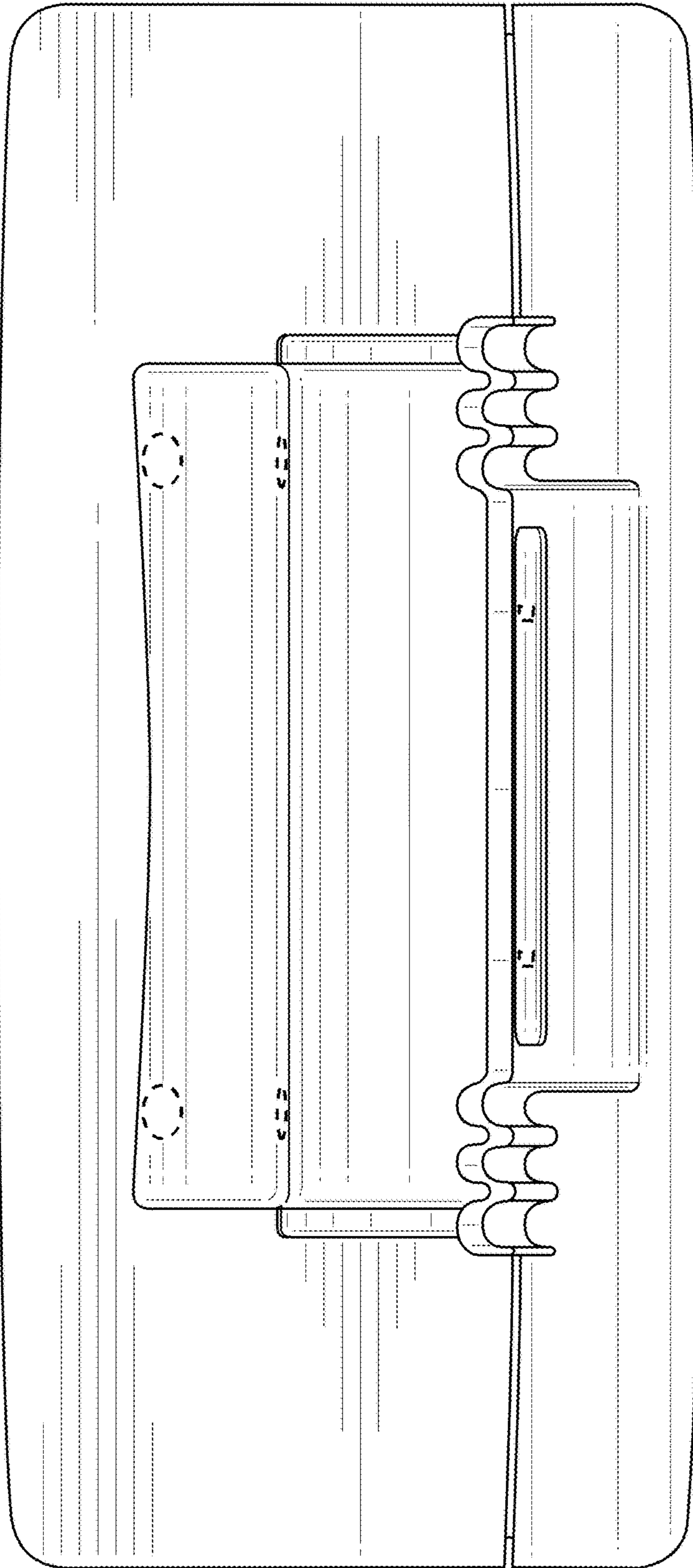


FIG. 4

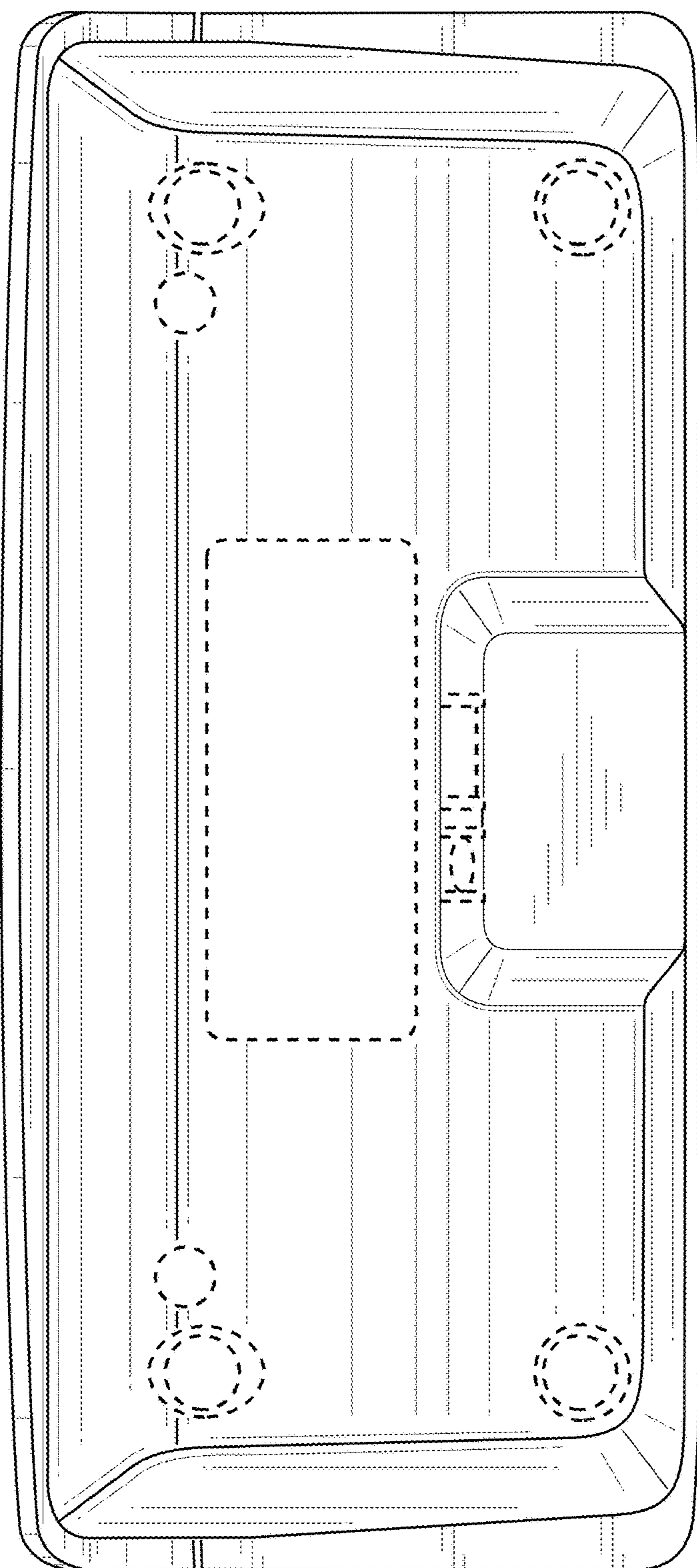


FIG. 5

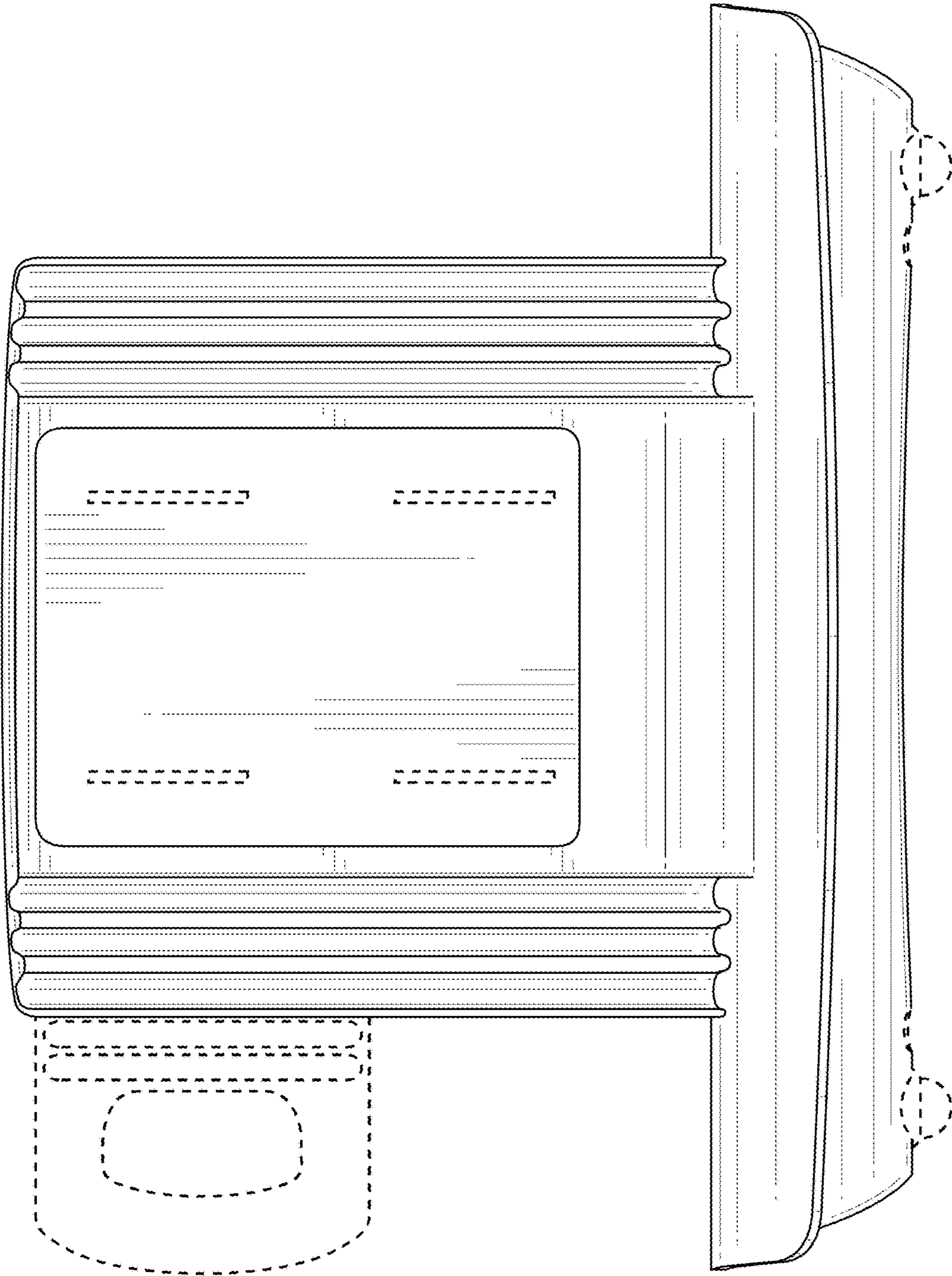


FIG. 6

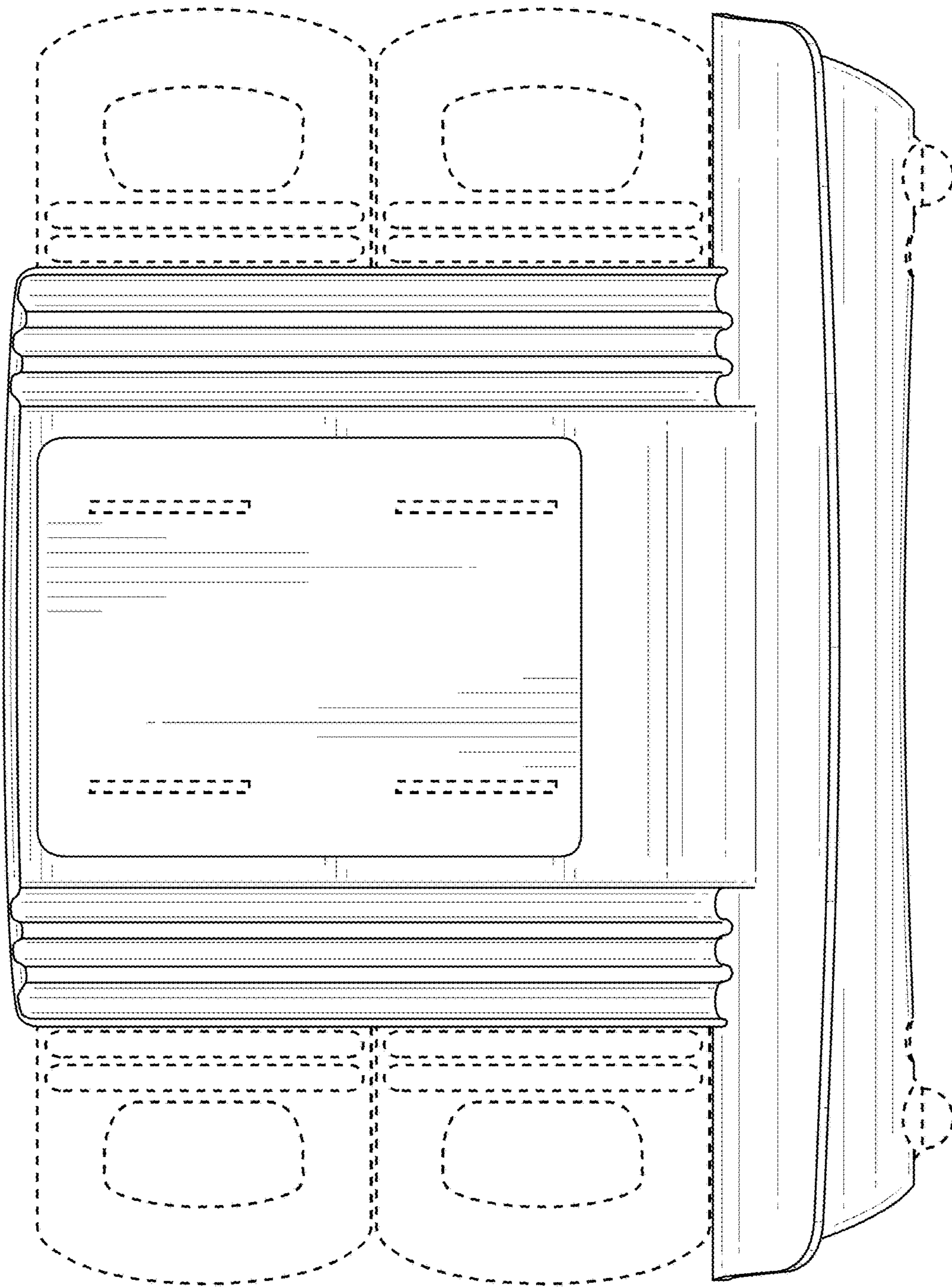


FIG. 7

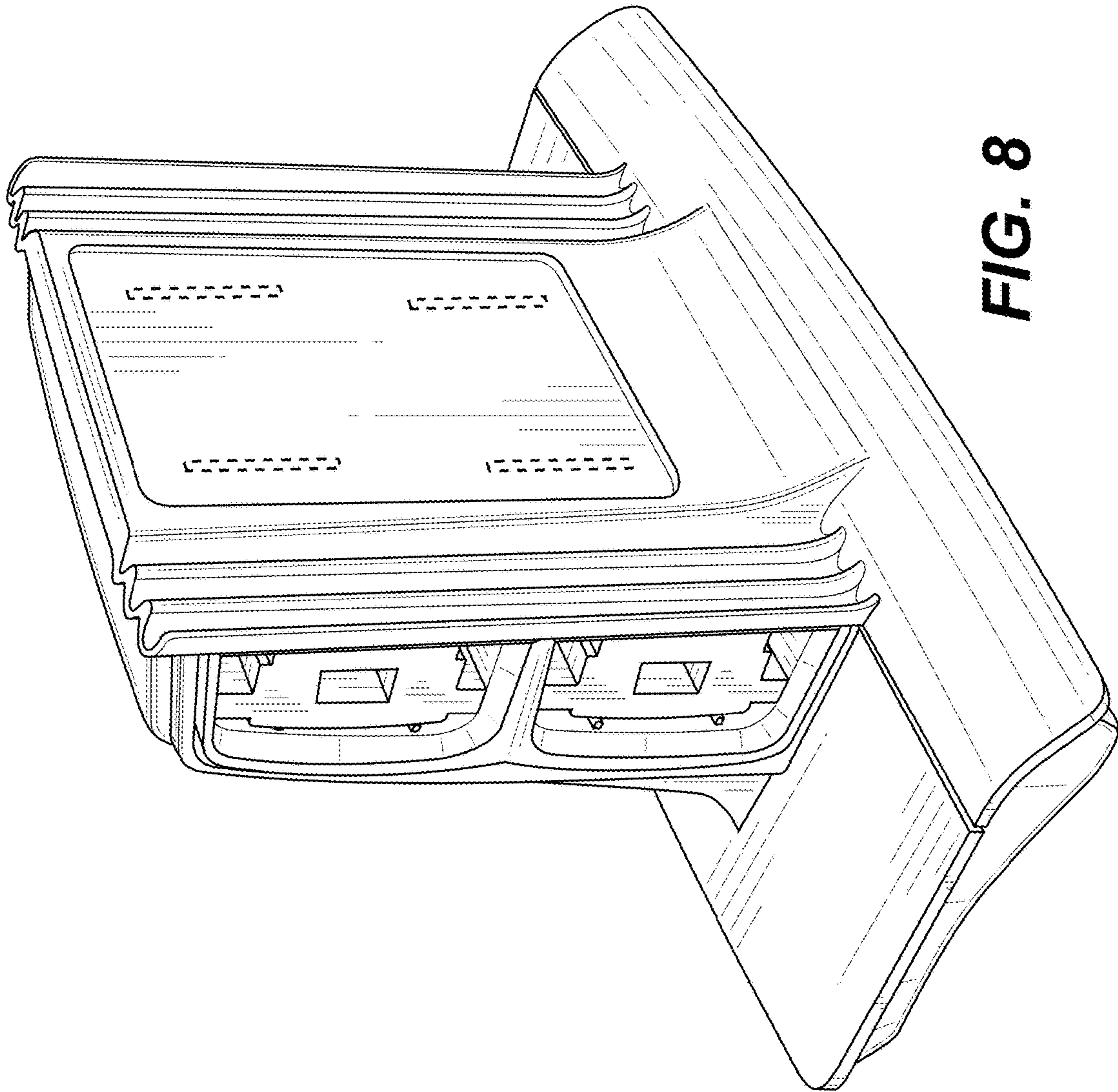


FIG. 8