



US00D775985S

(12) **United States Design Patent** (10) **Patent No.:** **US D775,985 S**
Yu et al. (45) **Date of Patent:** **** Jan. 10, 2017**

(54) **ACTIVITY TRACKER CLASP**
(71) Applicants: **Anhui Huami Information Technology Co., Ltd.**, Hefei, Anhui (CN); **Huami Inc.**, Sunnyvale, CA (US)
(72) Inventors: **Pengtao Yu**, Mountain View, CA (US); **Xiaoxi Shi**, Mountain View, CA (US); **Wang Huang**, Beijing (CN); **Yi Zhang**, Anhui (CN); **Lian Zhang**, Anhui (CN)
(73) Assignees: **Anhui Huami Information Technology Co., Ltd.**, Hefei, Anhui (CN); **Huami Inc.**, Mountain View, CA (US)
(**) Term: **15 Years**
(21) Appl. No.: **29/542,213**
(22) Filed: **Oct. 12, 2015**
(51) **LOC (10) Cl.** **10-04**
(52) **U.S. Cl.**
USPC **D10/80; D10/103**
(58) **Field of Classification Search**
USPC D10/30, 31, 32, 33, 34, 35, 36, 37, 38, D10/39, 65, 72, 78, 97, 98, 60, 74, 80, D10/94, 103; D14/138 R, 203.5, 203.6, D14/341, 344, 347; D24/167, 168, 186
CPC G08G 1/096883; G08G 1/096872; G08G 1/096775; G01C 21/16; G01C 21/3688; G01C 21/30; G01V 8/20; G01J 5/02; G01J 5/023; G01J 5/24; G01J 5/10; G01J 5/20; G01J 5/0235; G01J 5/08; G01J 5/0853; G01J 5/33; G01J 5/34
See application file for complete search history.

(56) **References Cited**
U.S. PATENT DOCUMENTS
D741,207 S * 10/2015 Jones D10/74
* cited by examiner
Primary Examiner — Antoine D Davis
(74) *Attorney, Agent, or Firm* — Young Basile Hanlon & MacFarlane, P.C.

(57) **CLAIM**
The ornamental design for an activity tracker clasp, as shown and described.

DESCRIPTION
FIG. 1 is a perspective view of the front and left side of the activity tracker clasp according to our new design.
FIG. 2 is a front view of the activity tracker clasp of FIG. 1.
FIG. 3 is a right side view of the activity tracker clasp of FIG. 1.
FIG. 4 is a rear view of the activity tracker clasp of FIG. 1.
FIG. 5 is a left side view of the activity tracker clasp of FIG. 1.
FIG. 6 is a top view of the activity tracker clasp of FIG. 1; and
FIG. 7 is a bottom view of the activity tracker clasp of FIG. 1.
The activity tracker module is shown in broken lines for illustrative purposes only and forms no part of the claimed design.
The ornamental design of the present disclosure is a clasp for use with an activity tracker module to be worn as a pendant.

1 Claim, 2 Drawing Sheets

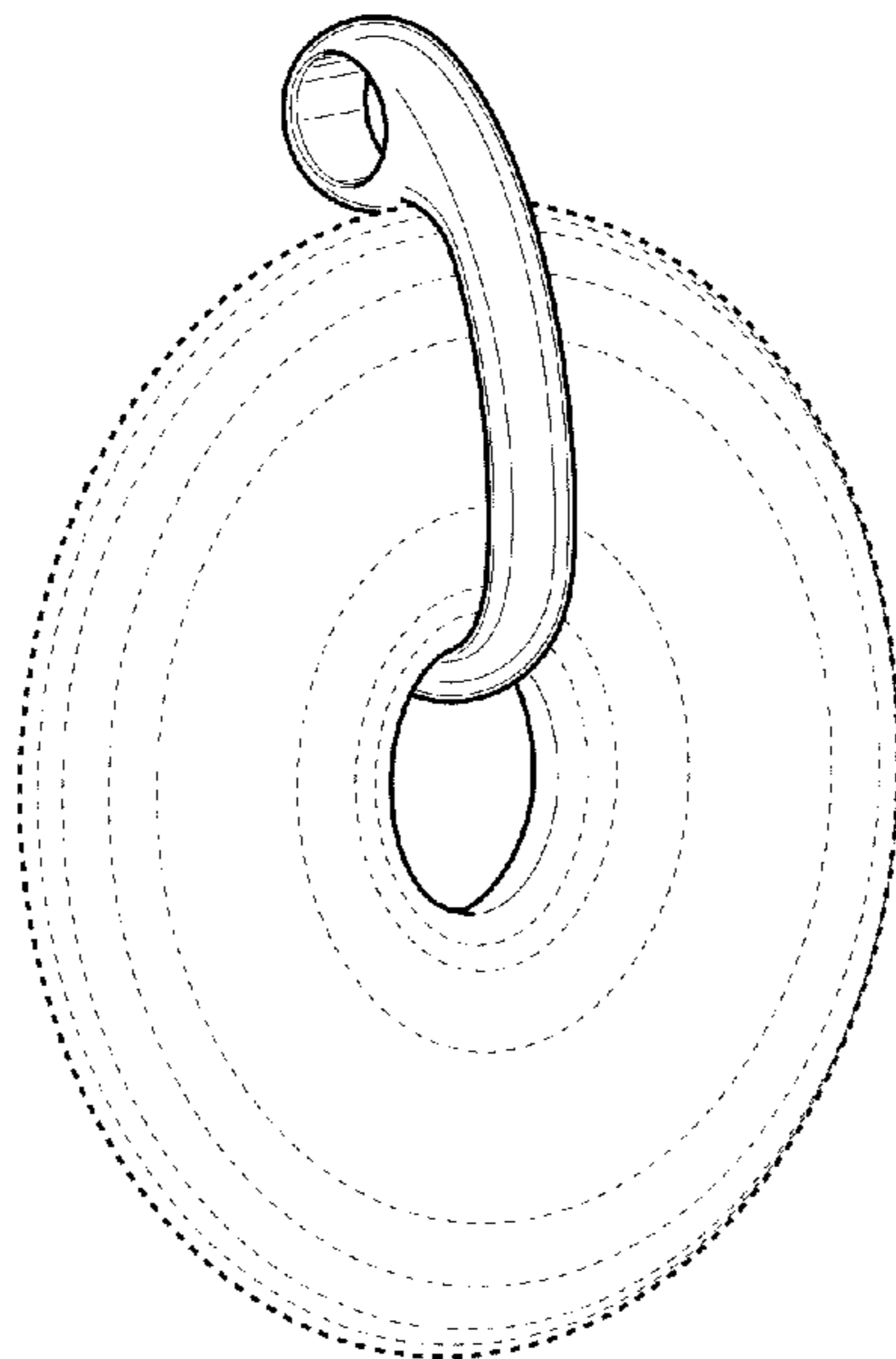


FIG. 1

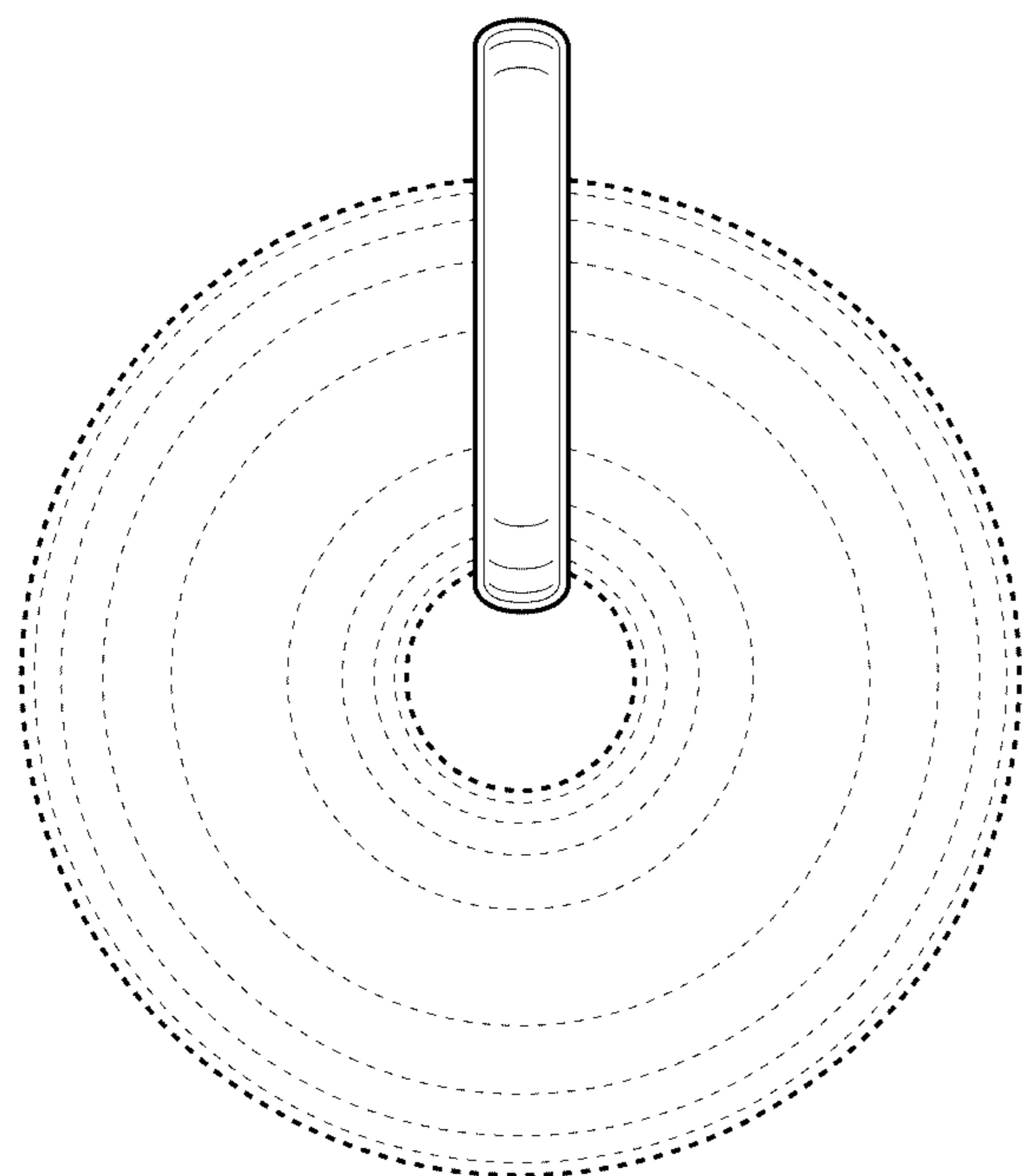
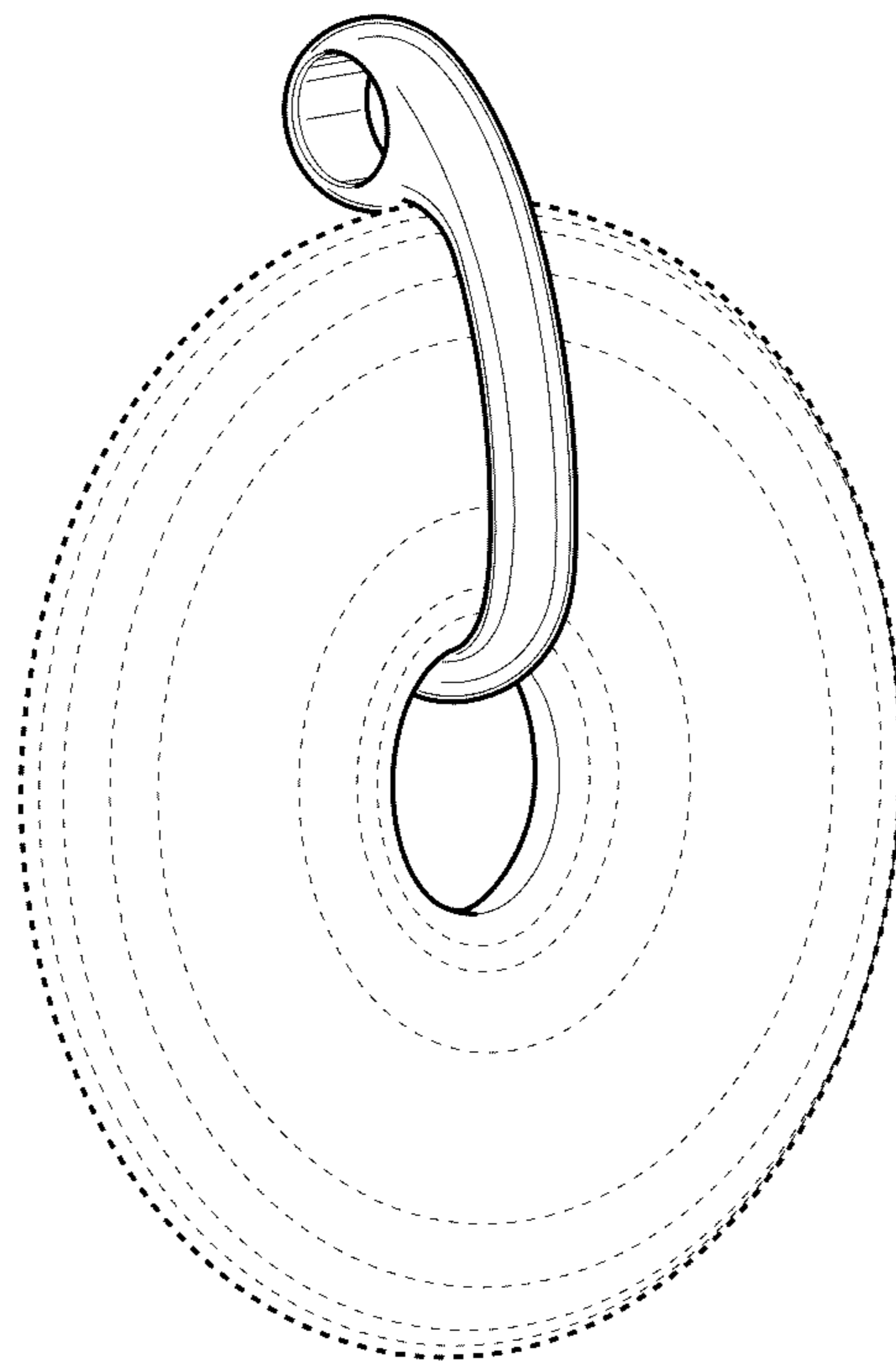


FIG. 2

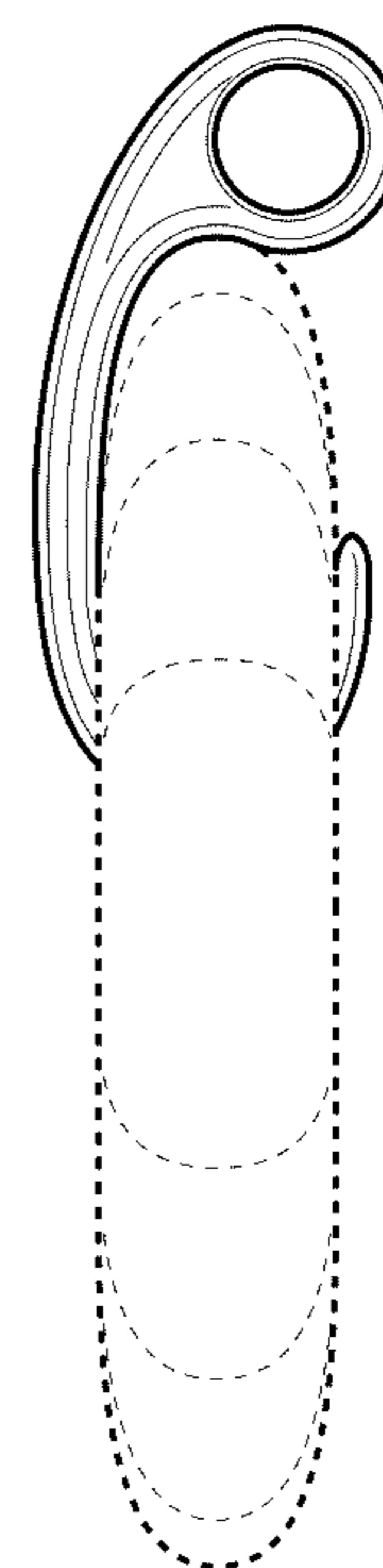


FIG. 3

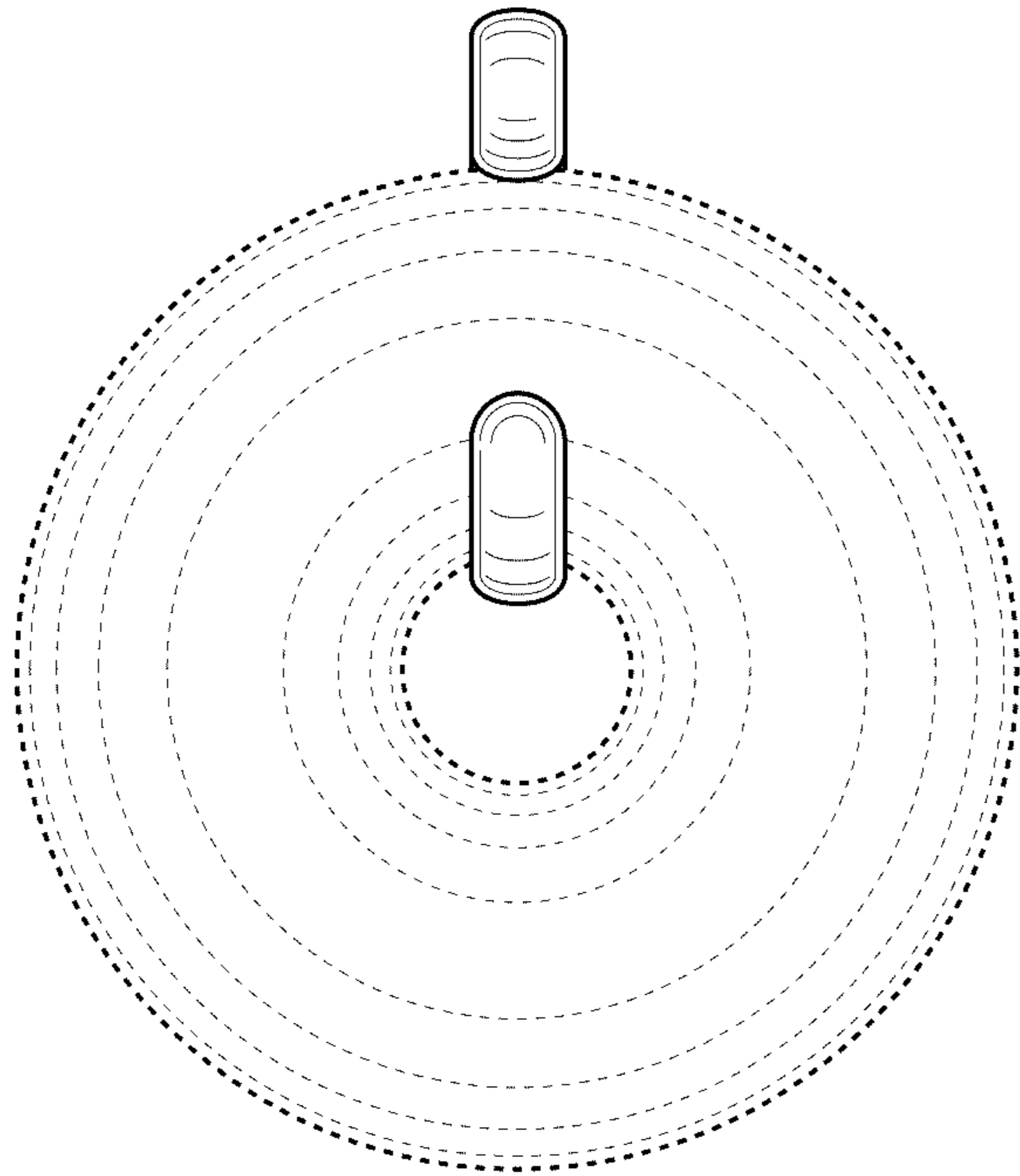


FIG. 4

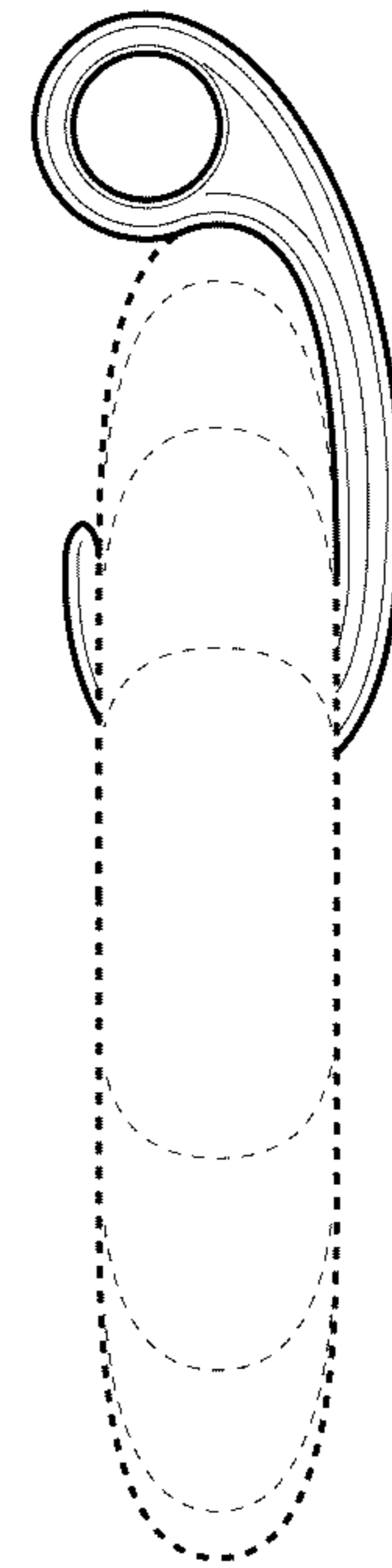


FIG. 5

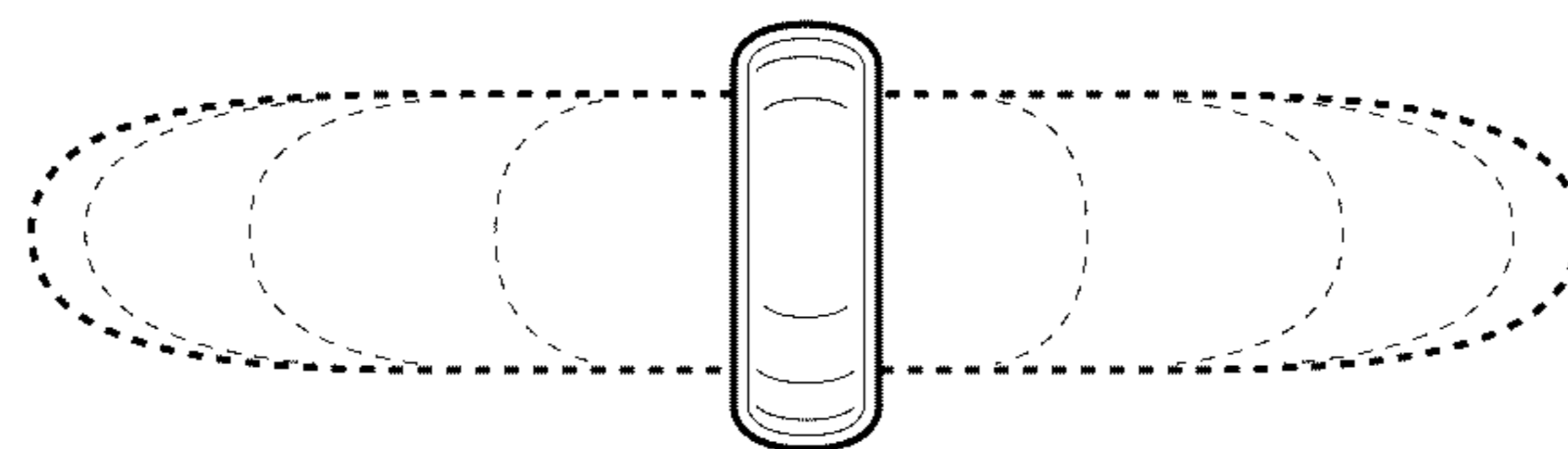


FIG. 6

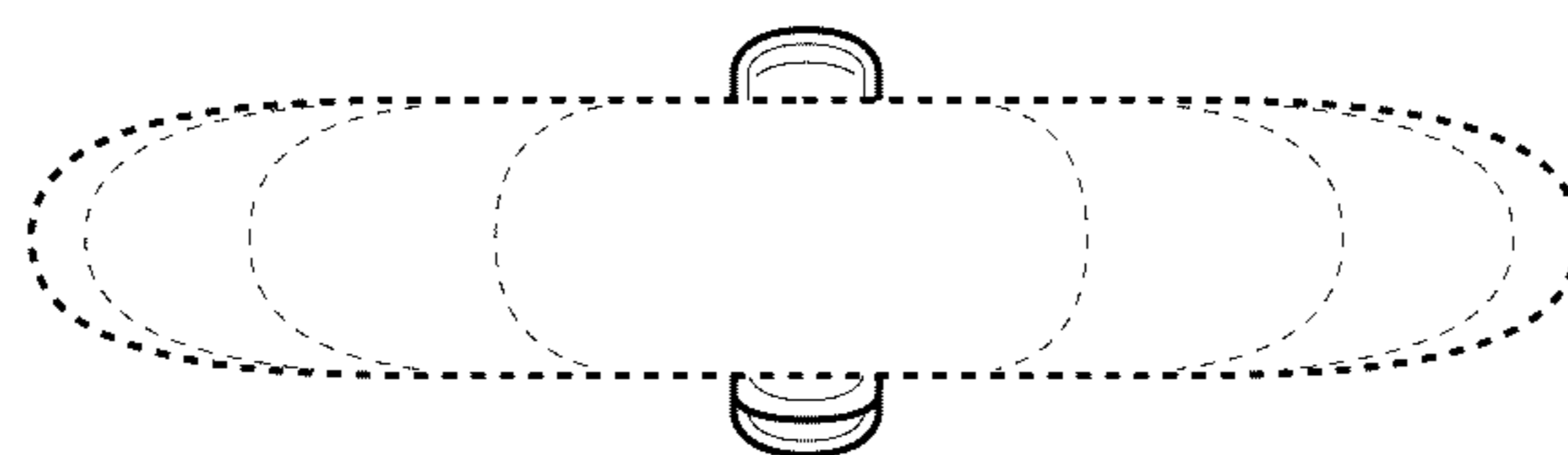


FIG. 7