



US00D775982S

(12) **United States Design Patent** (10) **Patent No.:** **US D775,982 S**
Laurino et al. (45) **Date of Patent:** **** Jan. 10, 2017**

(54) **MAIN BODY FOR A DATA LOGGER**

(71) Applicant: **Fluke Corporation**, Everett, WA (US)

(72) Inventors: **Ferdinand Y. Laurino**, Seattle, WA (US); **Duncan Kearsley**, Stanwood, WA (US)

(73) Assignee: **Fluke Corporation**, Everett, WA (US)

(**) Term: **15 Years**

(21) Appl. No.: **29/554,350**

(22) Filed: **Feb. 10, 2016**

Related U.S. Application Data

(62) Division of application No. 29/522,929, filed on Apr. 3, 2015, now Pat. No. Des. 750,986, which is a division of application No. 29/444,908, filed on Feb. 5, 2013, now Pat. No. Des. 726,047.

(51) **LOC (10) Cl.** **10-04**

(52) **U.S. Cl.**
USPC **D10/78**

(58) **Field of Classification Search**
USPC D10/65, 78, 104, 104.1, 105.1, 106.1;
D13/73, 103, 108, 110, 139.1-139.7, 147,
D13/158, 171, 184, 199; D14/100, 106,
D14/107, 114, 138 G, 155, 168, 188,
D14/203.3, 217, 240, 242
CPC G06K 1/002; G06K 11/00; G01R 1/00;
G01R 15/00
See application file for complete search history.

(56) **References Cited**

U.S. PATENT DOCUMENTS

D382,253 S 8/1997 Claxton et al.
D383,400 S 9/1997 Wada
D404,761 S 1/1999 Tarpenning et al.
D422,995 S 4/2000 Dow et al.
D430,048 S 8/2000 Hoofnagle et al.
D460,925 S 7/2002 Arnoux et al.
D474,413 S 5/2003 Hoofnagle et al.

D507,979 S 8/2005 Robinson et al.
D515,951 S 2/2006 Clark
D541,798 S 5/2007 Ichida et al.
D545,784 S 7/2007 Dayan
D551,664 S * 9/2007 Lin D14/341
(Continued)

FOREIGN PATENT DOCUMENTS

EM 001213771-0003 8/2010
EM 002080465-0001 8/2012

OTHER PUBLICATIONS

“First-of-a-Kind, Handheld Device Brings Magic of Disney Theme Parks to Guests with Disabilities,” <<http://www.laughingplace.com/News-ID10033710.asp>> Apr. 20, 2009 [retrieved Jan. 31, 2014], 1 page.

(Continued)

Primary Examiner — Deanna L Pratt
(74) *Attorney, Agent, or Firm* — Seed IP Law Group LLP

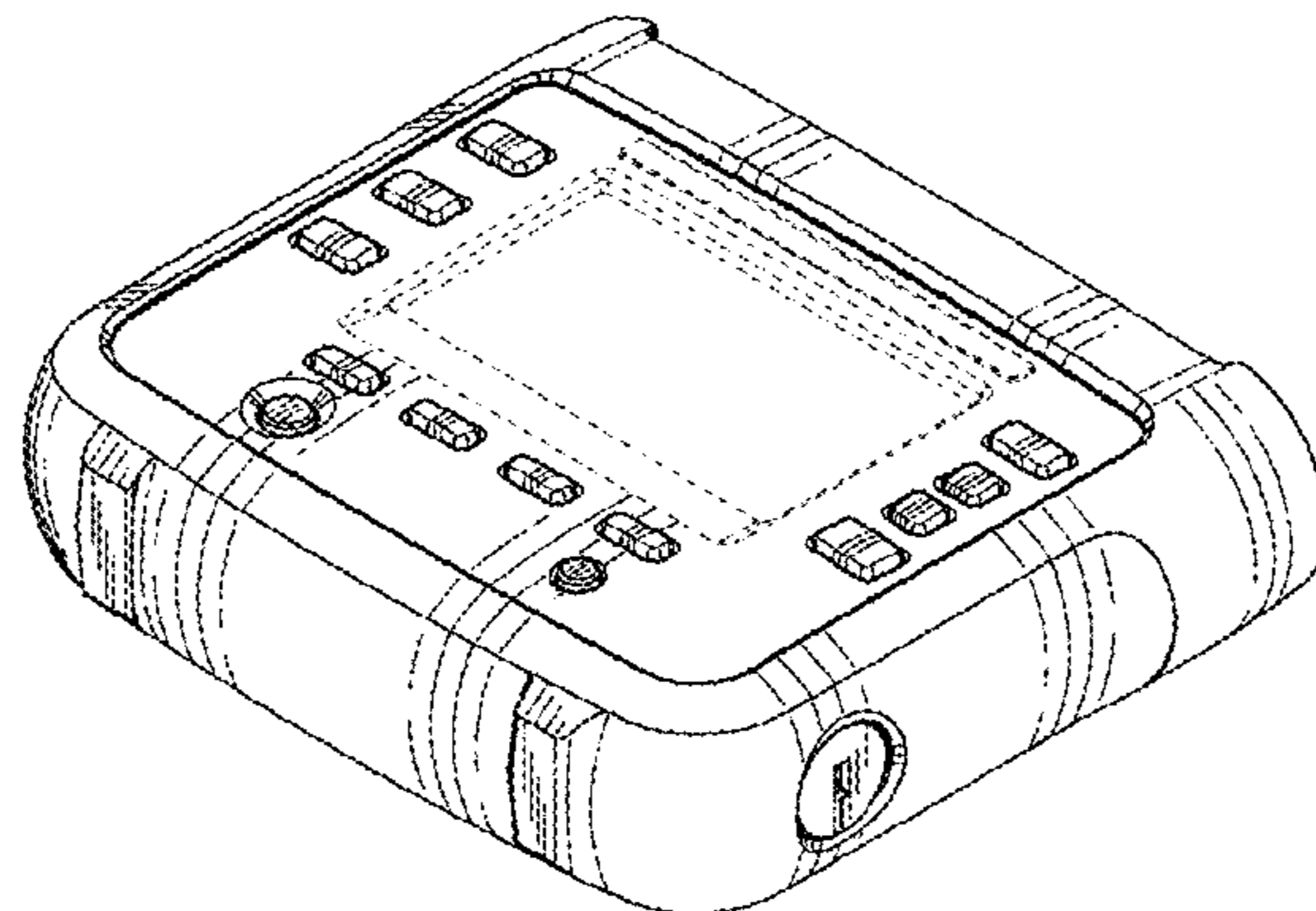
(57) **CLAIM**

The ornamental design for a main body for a data logger, as shown and described.

DESCRIPTION

FIG. 1 is a top perspective view of a main body for a data logger showing our new design.
FIG. 2 is a bottom perspective view thereof.
FIG. 3 is a back top perspective view thereof.
FIG. 4 is a front view thereof.
FIG. 5 is a back view thereof.
FIG. 6 is a top view thereof.
FIG. 7 is a bottom view thereof.
FIG. 8 is a right view thereof; and,
FIG. 9 is a left view thereof.
The broken lines in the drawings illustrate portions of the main body for a data logger that form no part of the claimed design.

1 Claim, 6 Drawing Sheets



(56)

References Cited

U.S. PATENT DOCUMENTS

D552,323 S 10/2007 Perrier et al.
 D559,859 S * 1/2008 Kim D14/129
 D572,615 S 7/2008 Gerold
 D642,942 S 8/2011 Laurino et al.
 D649,893 S 12/2011 Beeke
 D660,190 S 5/2012 Laurino et al.
 D668,649 S 10/2012 Burke et al.
 D677,184 S 3/2013 Kluser et al.
 D685,914 S 7/2013 Corrigan et al.
 D688,144 S 8/2013 Svard et al.
 D691,131 S * 10/2013 Brown D14/341
 D719,472 S * 12/2014 Sakaue D10/78
 D721,290 S 1/2015 Varacca
 D723,550 S * 3/2015 Krueger D14/341
 D724,455 S * 3/2015 Plangger D10/78
 D724,963 S * 3/2015 Ambrose D10/47
 D726,044 S * 4/2015 Endo D10/65
 D726,047 S 4/2015 Laurino et al.

D730,847 S * 6/2015 Weiss D13/168
 D731,340 S 6/2015 Laurino et al.
 D741,730 S * 10/2015 Crees D10/65
 D750,508 S * 3/2016 Bowman D10/65
 D750,986 S * 3/2016 Laurino D10/78
 D752,459 S * 3/2016 Elrod D10/78
 2010/0181990 A1 7/2010 Hudson et al.
 2011/0074395 A1 3/2011 Marzynski et al.
 2014/0036065 A1 2/2014 Oakley et al.

OTHER PUBLICATIONS

“Fluke 810 Handheld Vibration Tester, LCD Display, 0.1 rpm Resolution, 32 to 122 Degrees F Temperature Range, 10.52" Width x7.30" Height x2.76" Depth,” <<http://www.amazon.com/Fluke-Handheld-Vibration-Resolution-Temperature/dp/B007ICD1LI>> [retrieved Jan. 31, 2014], 1 page.
 “Press Kit—Intel® Reader,” <<http://www.intel.com/pressroom/kits/healthcare/reader/>> [retrieved Jan. 31, 2014], 1 page.

* cited by examiner

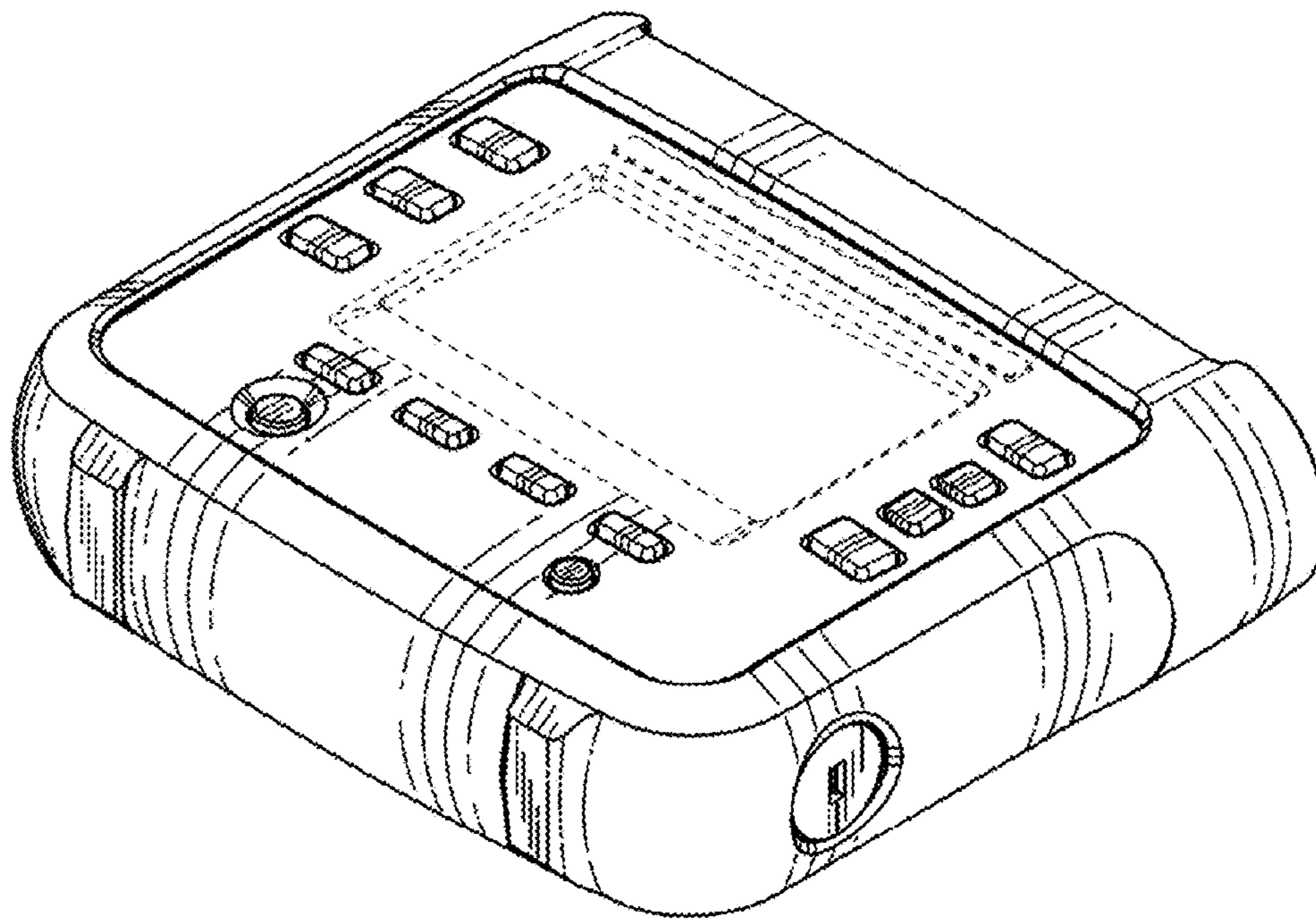


FIG. 1

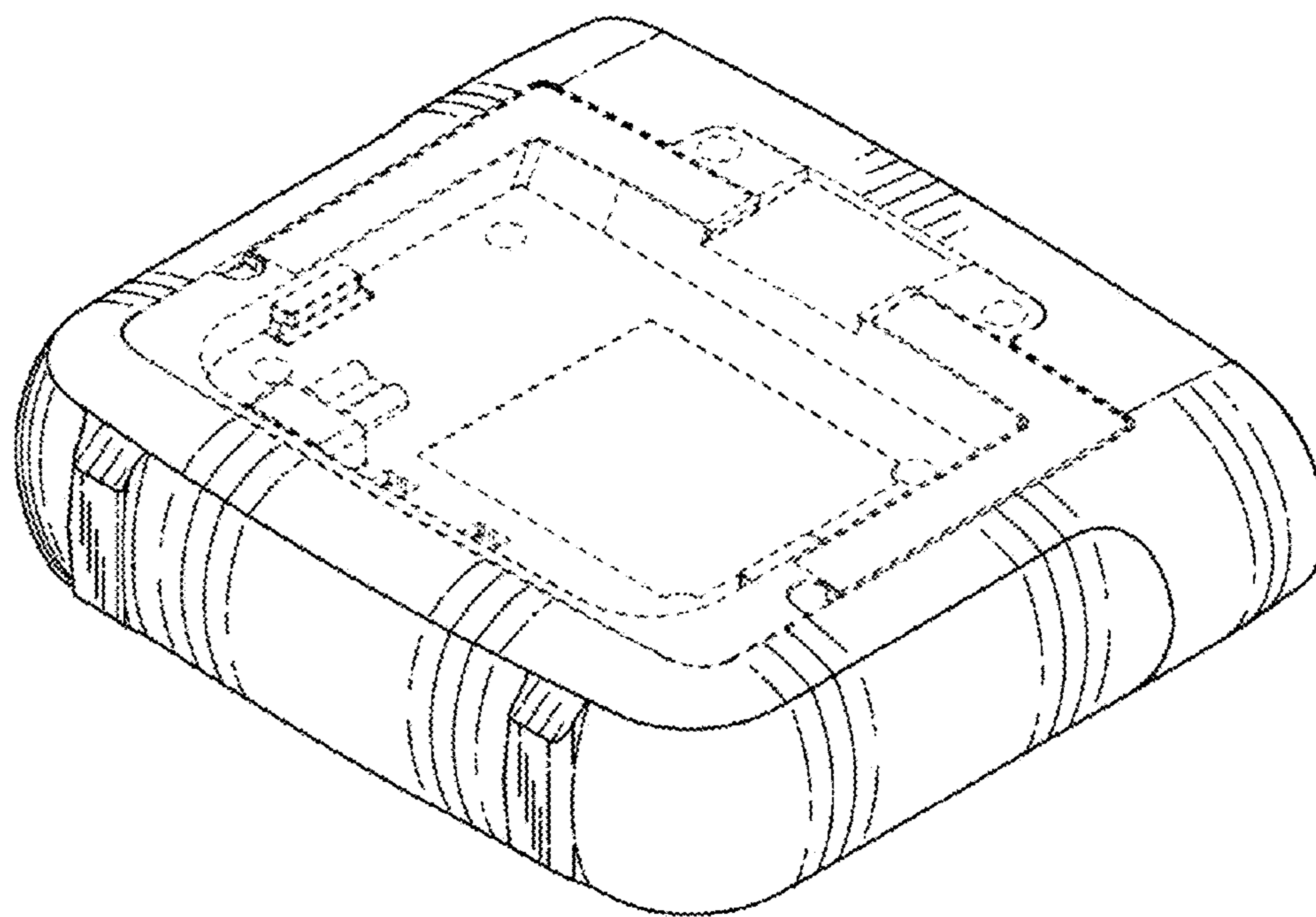


FIG. 2

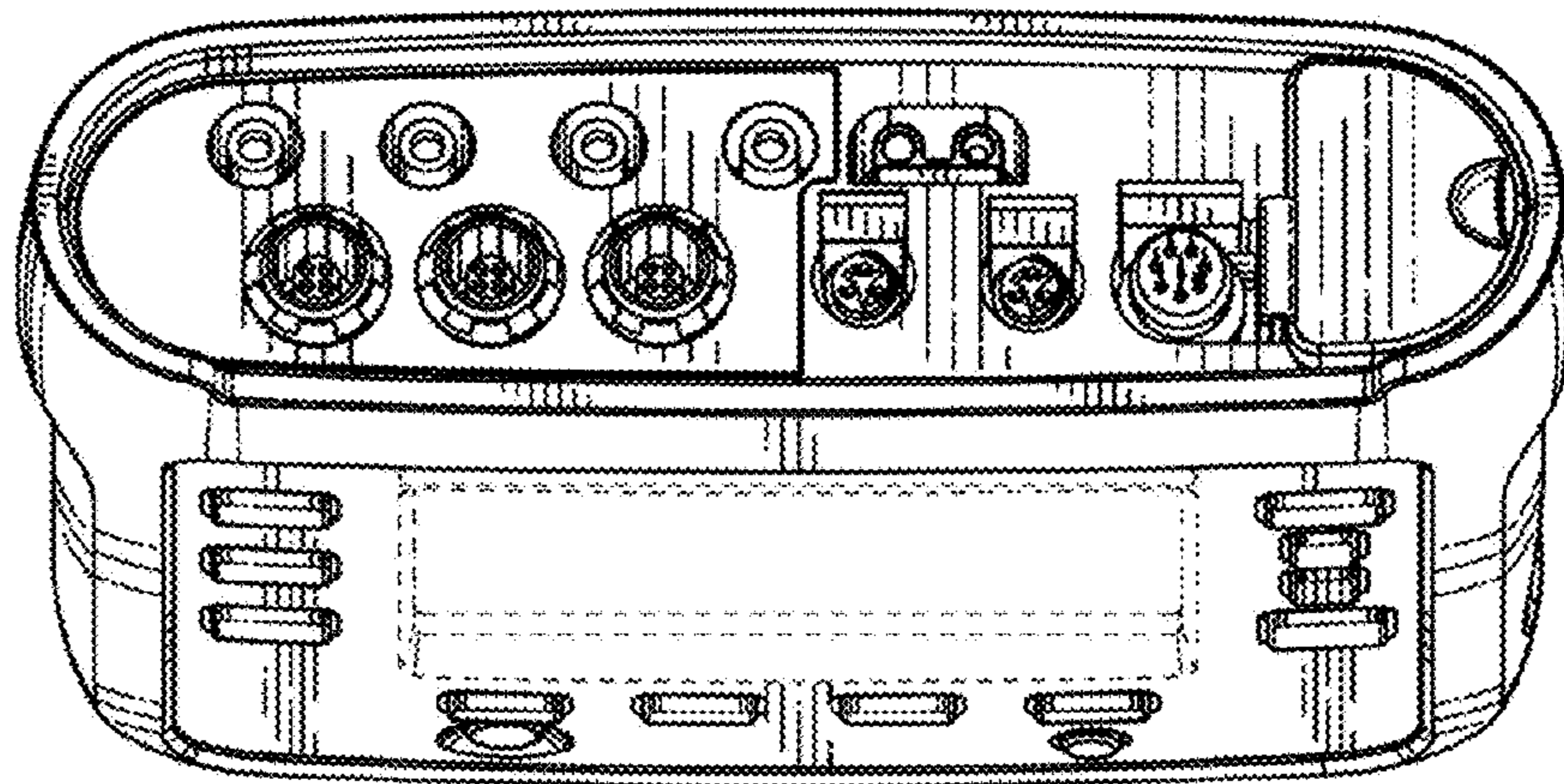


FIG. 3



FIG. 4

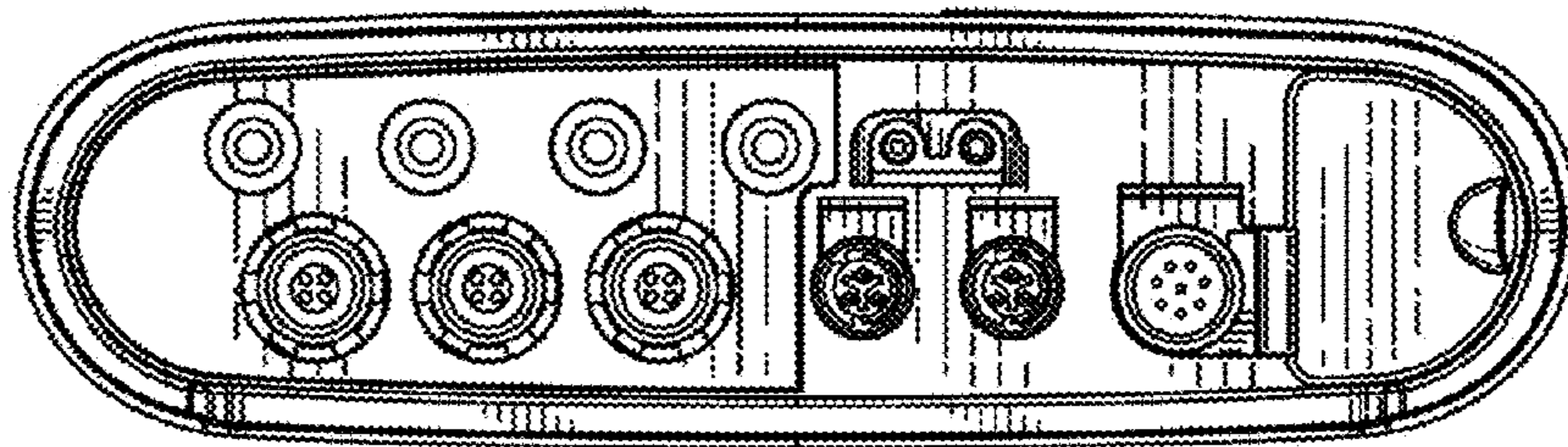


FIG. 5

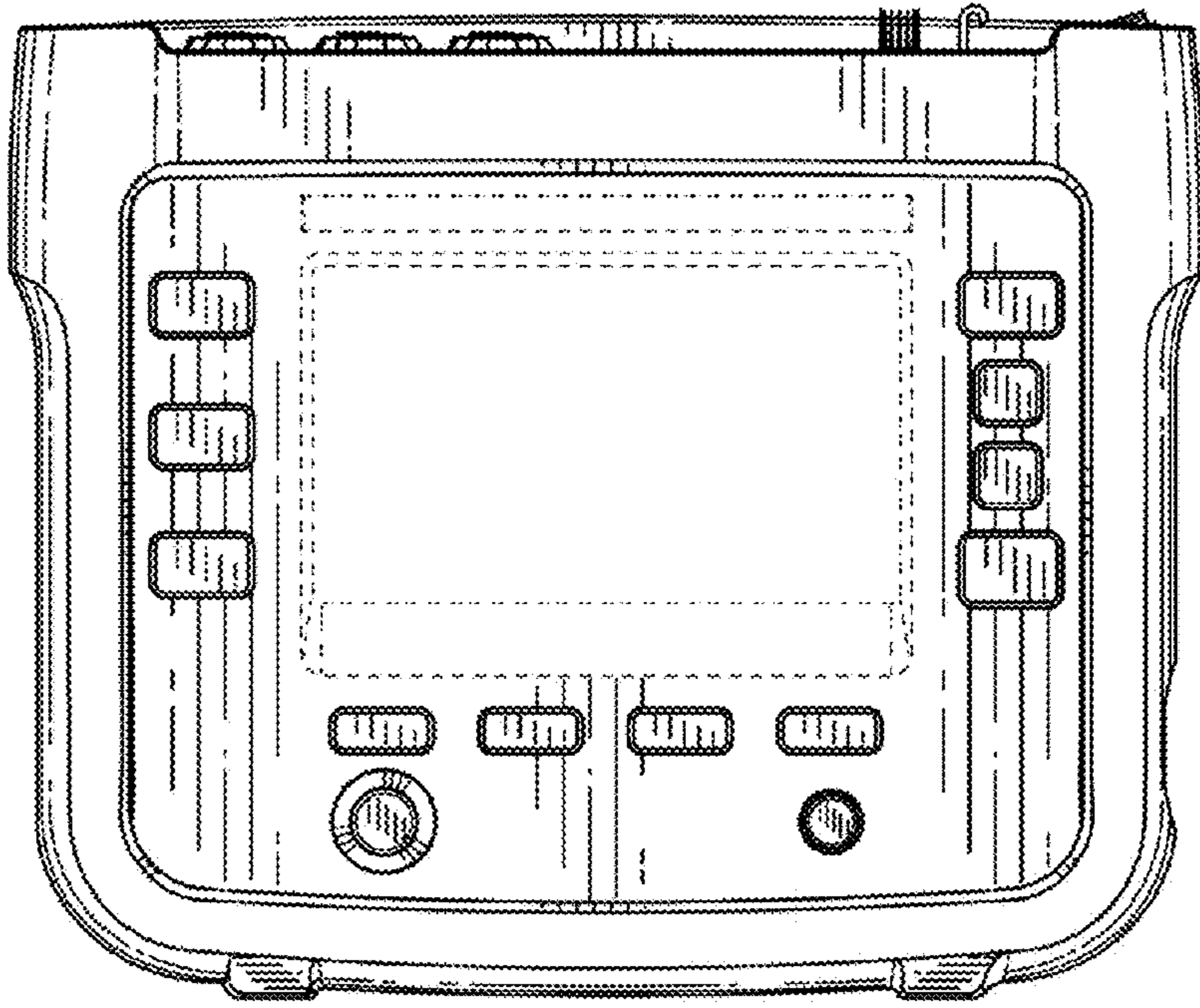


FIG. 6

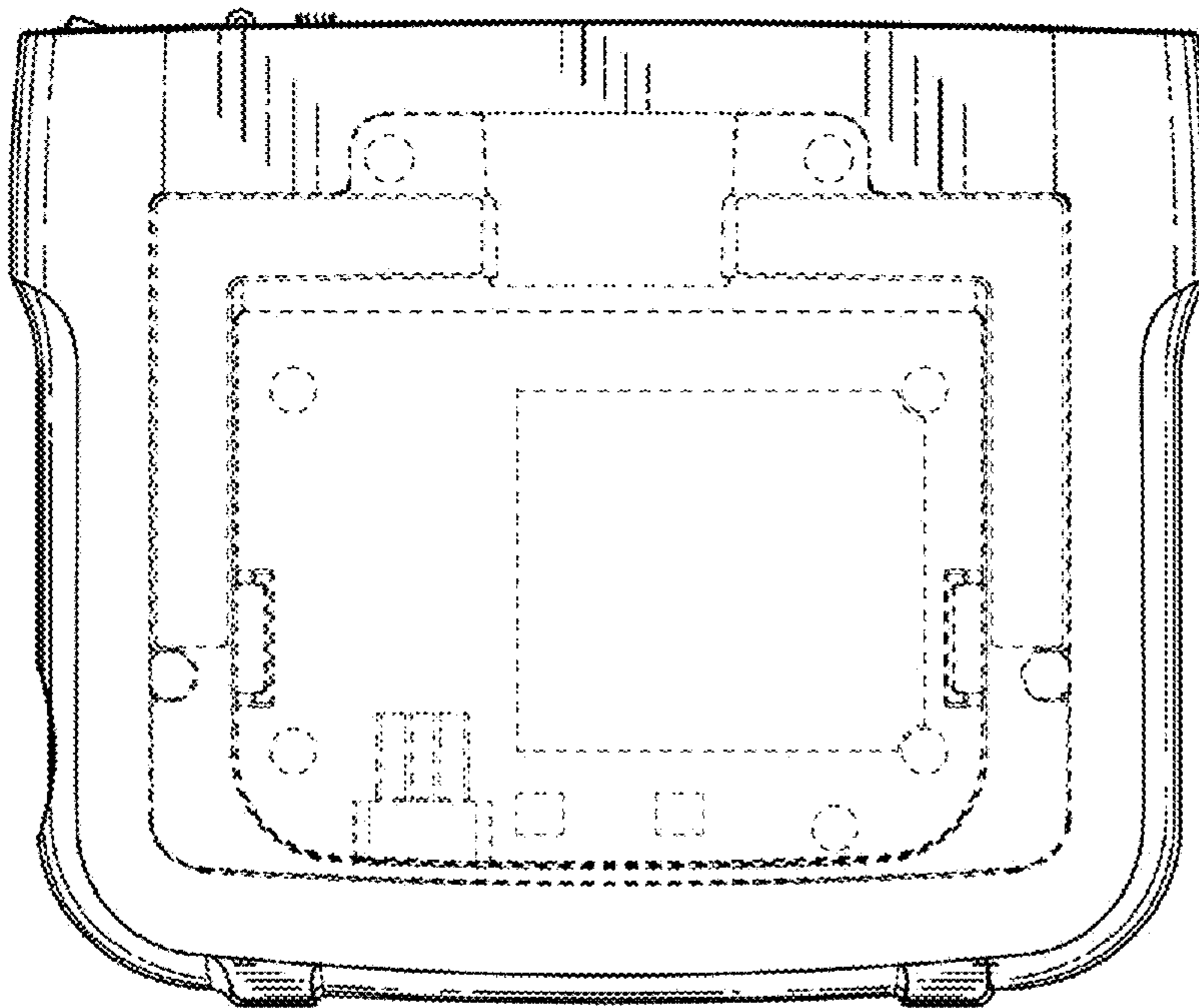


FIG. 7

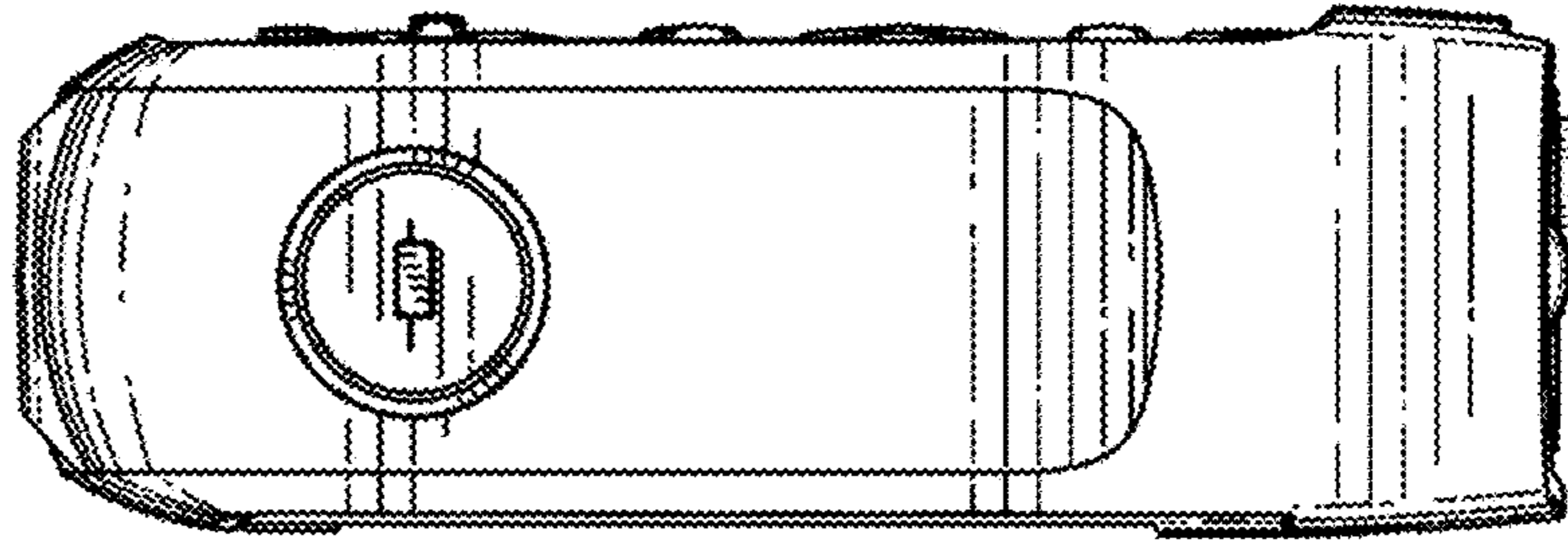


FIG. 8

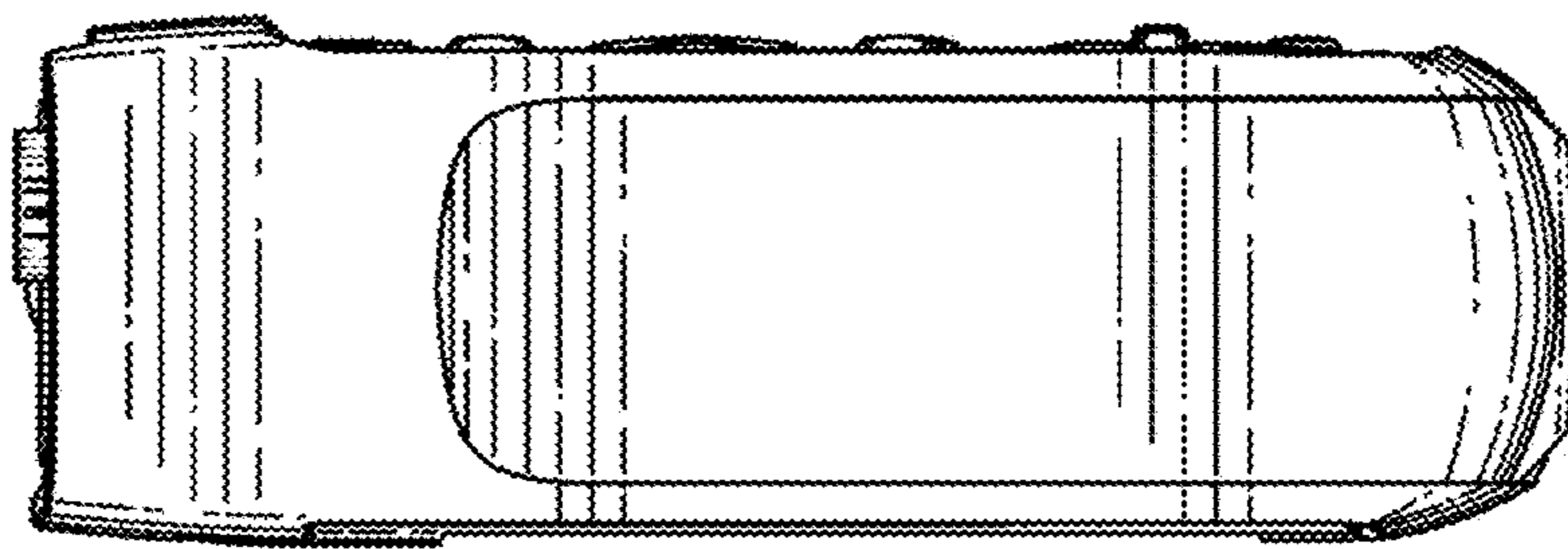


FIG. 9