



US00D775981S

(12) **United States Design Patent** (10) **Patent No.:** **US D775,981 S**  
**Yu et al.** (45) **Date of Patent:** **\*\* Jan. 10, 2017**

(54) **ACTIVITY TRACKER PENDANT**

(71) Applicants: **Anhui Huami Information Technology Co., Ltd.**, Hefei, Anhui (CN); **Huami Inc.**, Sunnyvale, CA (US)

(72) Inventors: **Pengtao Yu**, Mountain View, CA (US); **Xiaoxi Shi**, Mountain View, CA (US); **Wang Huang**, Beijing (CN); **Yi Zhang**, Anhui (CN); **Lian Zhang**, Anhui (CN)

(73) Assignees: **Anhui Huami Information Technology Co., Ltd.**, Hefei, Anhui (CN); **Huami Inc.**, Mountain View, CA (US)

(\*\*) Term: **15 Years**

(21) Appl. No.: **29/542,216**

(22) Filed: **Oct. 12, 2015**

(51) **LOC (10) Cl.** ..... **10-04**

(52) **U.S. Cl.**  
USPC ..... **D10/70; D10/78; D10/65**

(58) **Field of Classification Search**  
USPC ..... D10/30, 31, 32, 33, 34, 35, 36, 37, 38, D10/39, 65, 72, 78, 97, 98, 60, 74, 80, D10/94, 103; D14/138 R, 203.5, 203.6, D14/341, 344, 347; D24/167, 168, 186  
CPC ..... G08G 1/096883; G08G 1/096872; G08G 1/096775; G01C 21/16; G01C 21/3688; G01C 21/30; G01V 8/20; G01J 5/02; G01J 5/023; G01J 5/24; G01J 5/10; G01J 5/20; G01J 5/0235; G01J 5/08; G01J 5/0853; G01J 5/33; G01J 5/34

See application file for complete search history.

(56) **References Cited**

U.S. PATENT DOCUMENTS

6,608,562 B1 \* 8/2003 Kimura ..... A61B 5/02427  
128/903  
D526,586 S \* 8/2006 McCaghren ..... D10/65

\* cited by examiner

*Primary Examiner* — Antoine D Davis

(74) *Attorney, Agent, or Firm* — Young Basile Hanlon & MacFarlane, P.C.

(57) **CLAIM**

The ornamental design for an activity tracker pendant, as shown and described.

**DESCRIPTION**

FIG. 1 is a perspective view of the front and left side of the activity tracker pendant according to our new design.

FIG. 2 is a front view of the activity tracker pendant of FIG. 1.

FIG. 3 is a right side view of the activity tracker pendant of FIG. 1.

FIG. 4 is a rear view of the activity tracker pendant of FIG. 1.

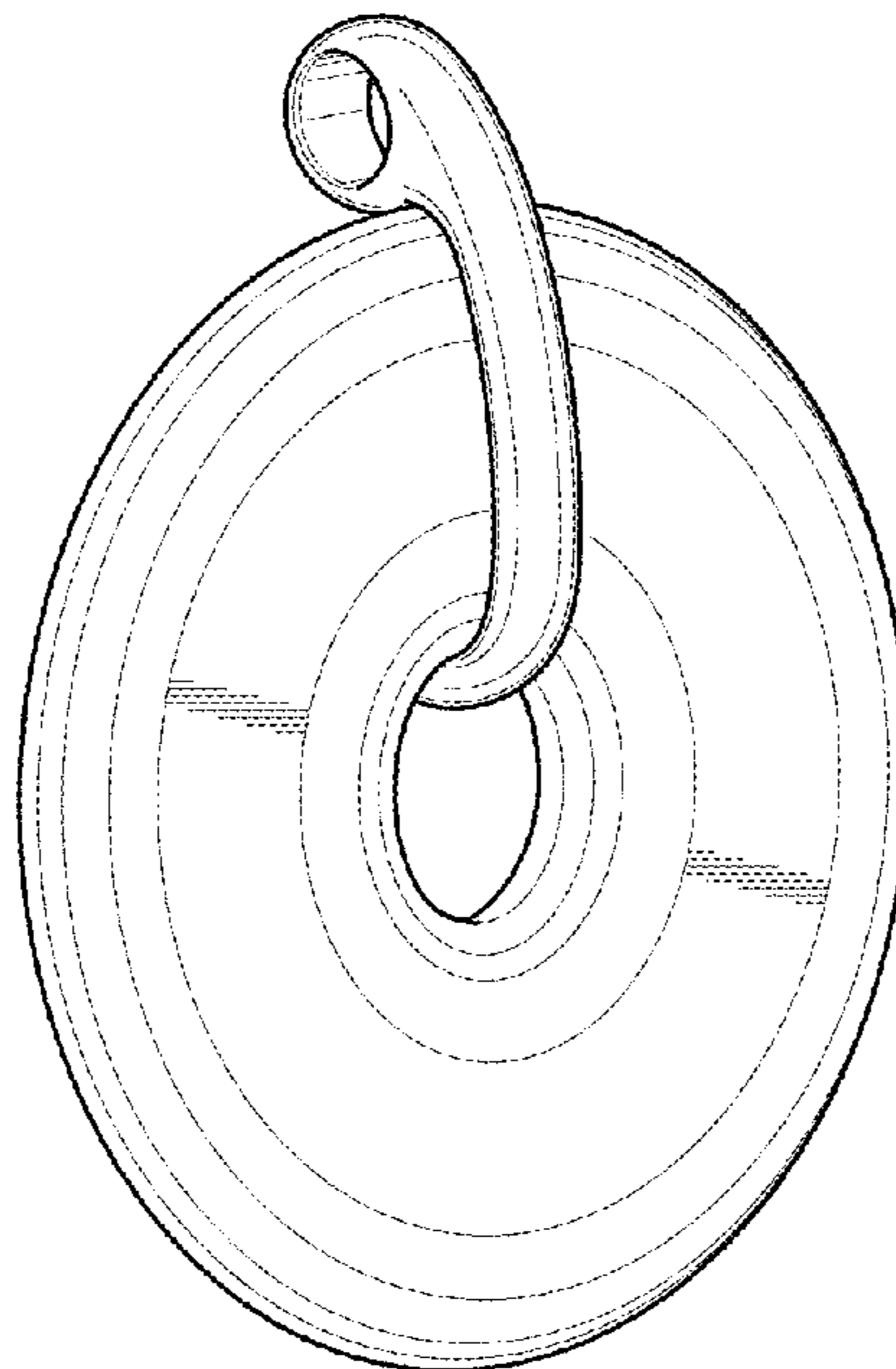
FIG. 5 is a left side view of the activity tracker pendant of FIG. 1.

FIG. 6 is a top view of the activity tracker pendant of FIG. 1; and,

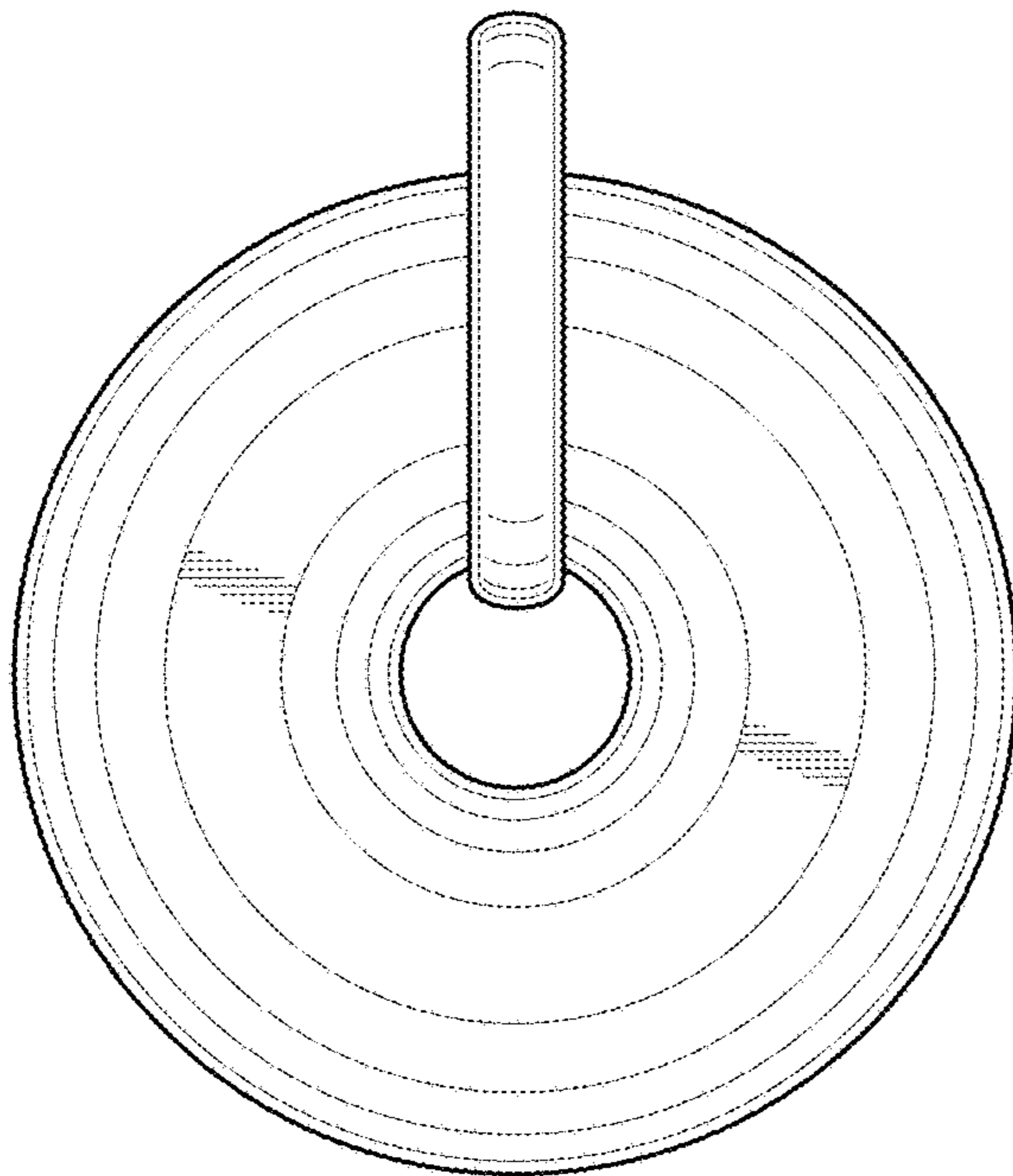
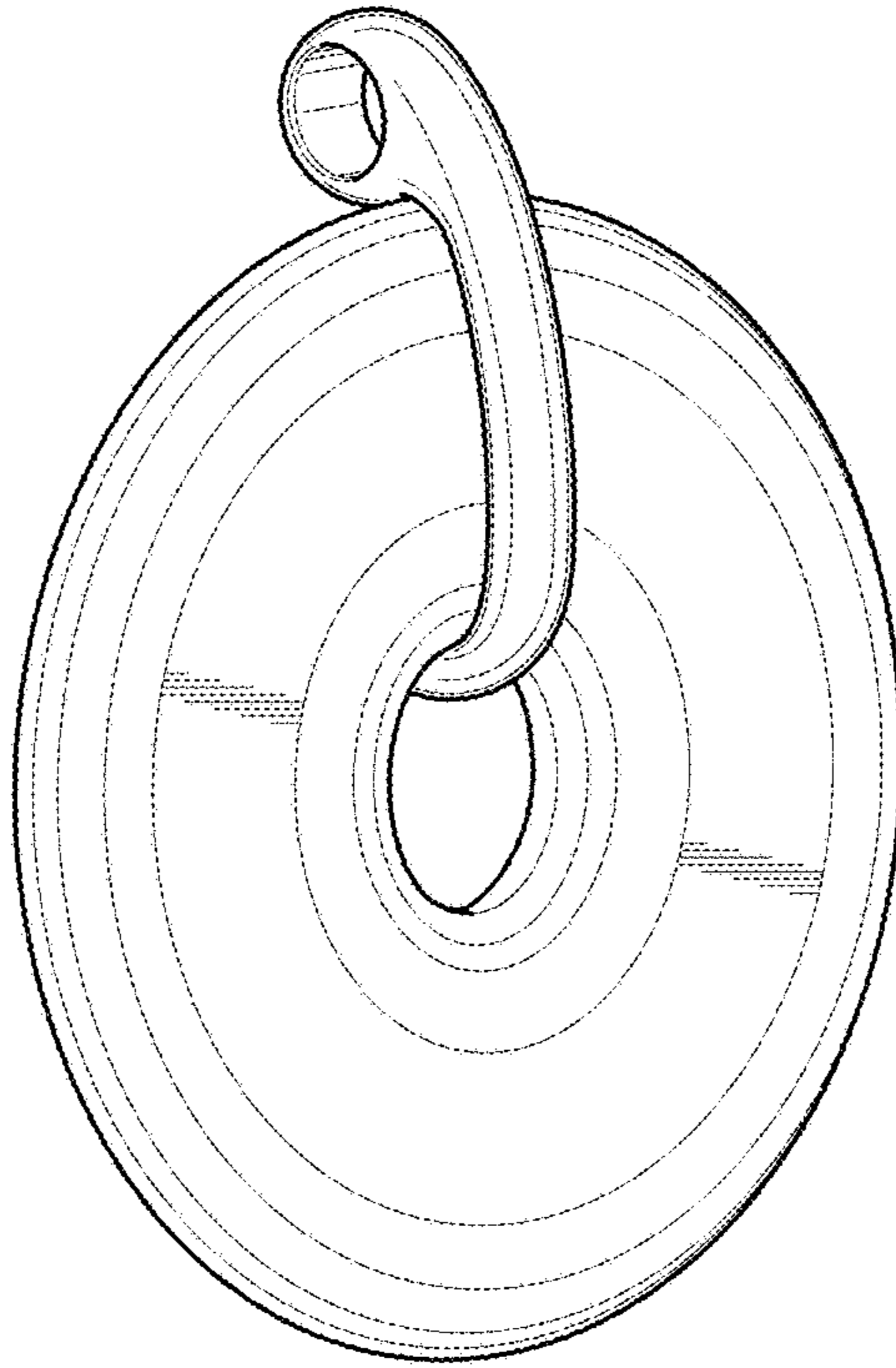
FIG. 7 is a bottom view of the activity tracker pendant of FIG. 1.

The ornamental design of the present disclosure is a pendant for use as an activity tracker module.

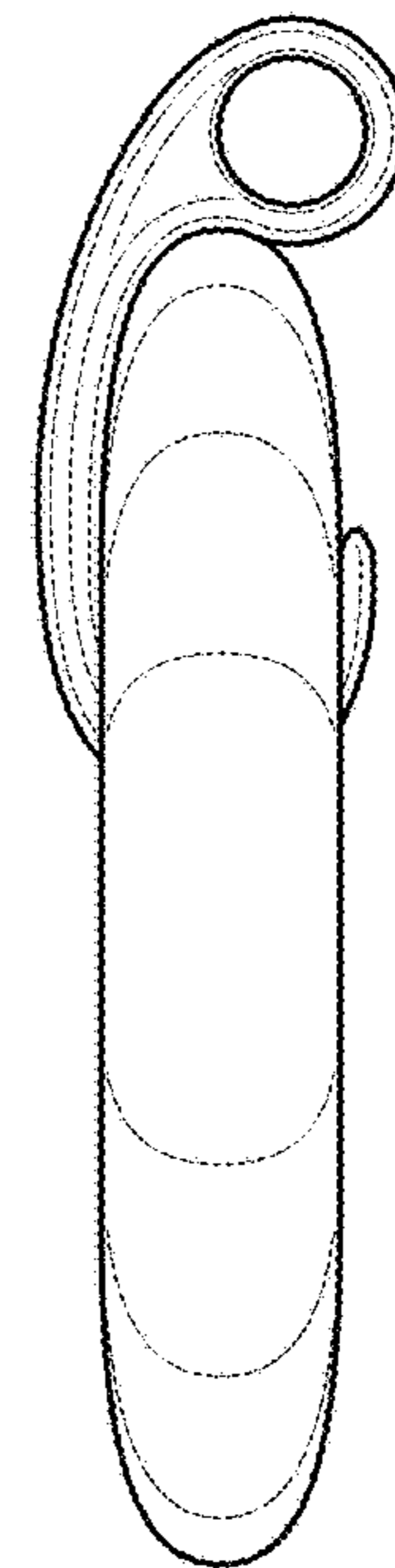
**1 Claim, 2 Drawing Sheets**



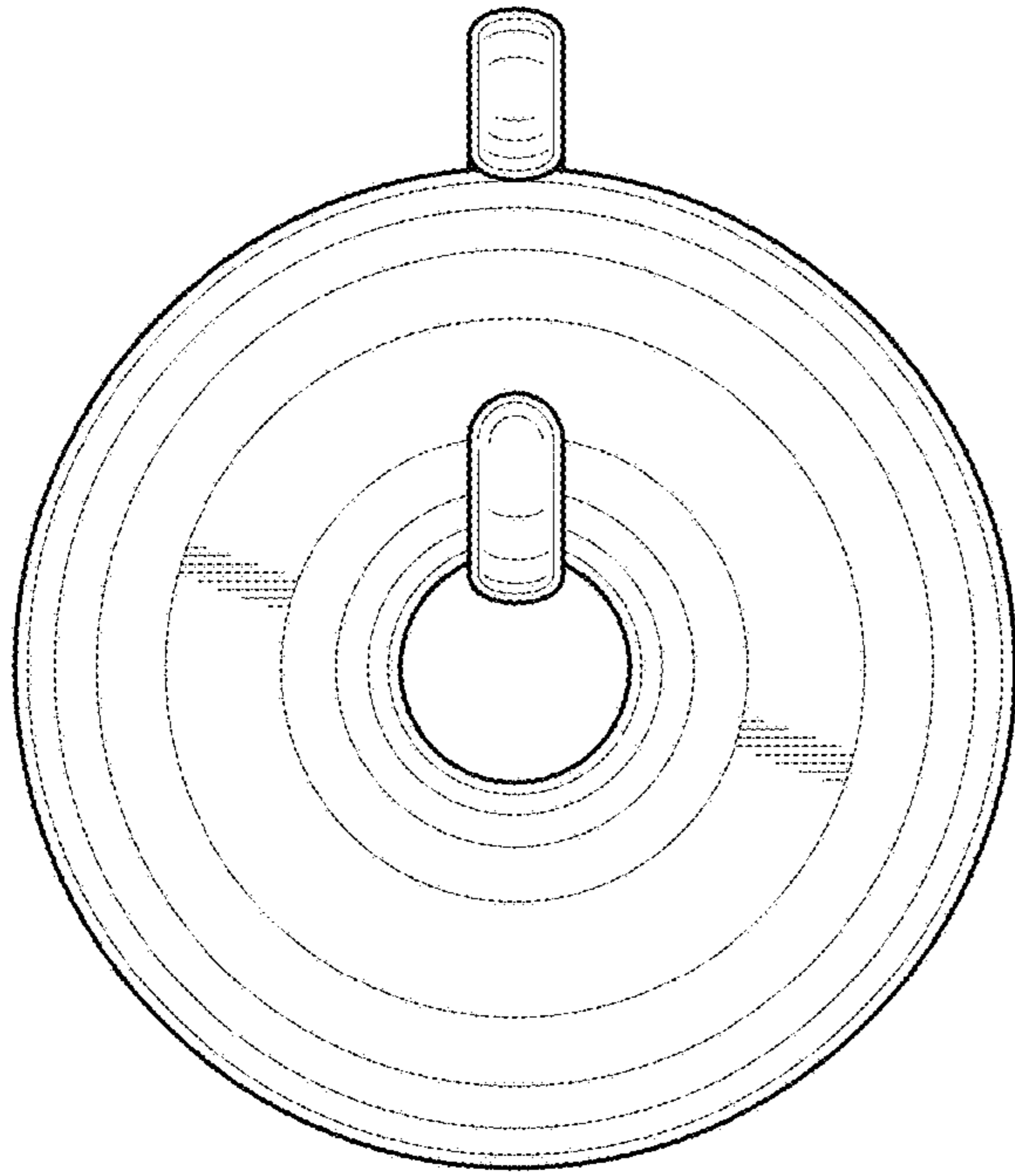
**FIG. 1**



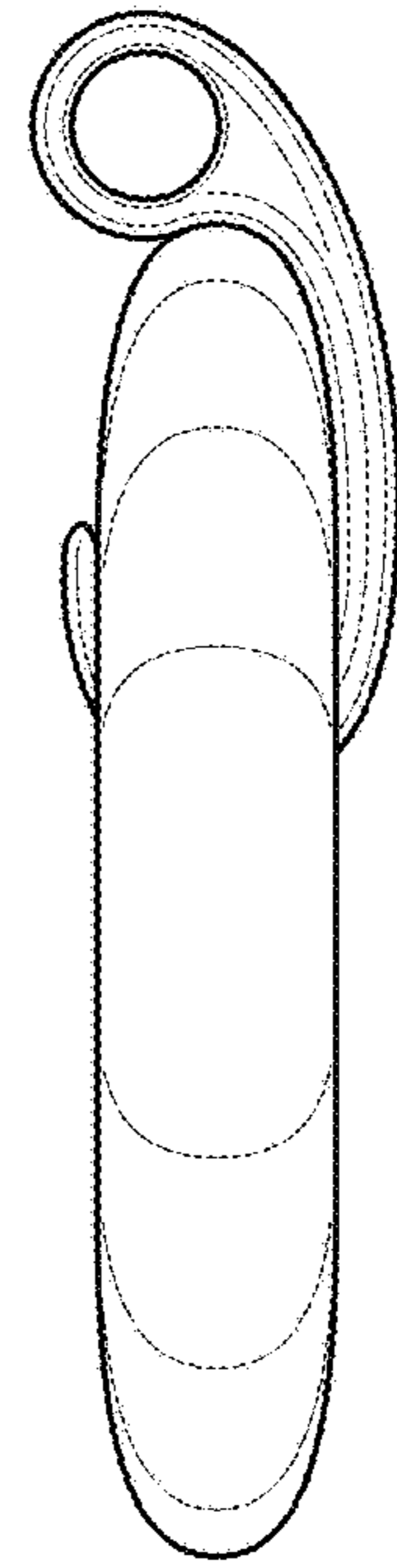
**FIG. 2**



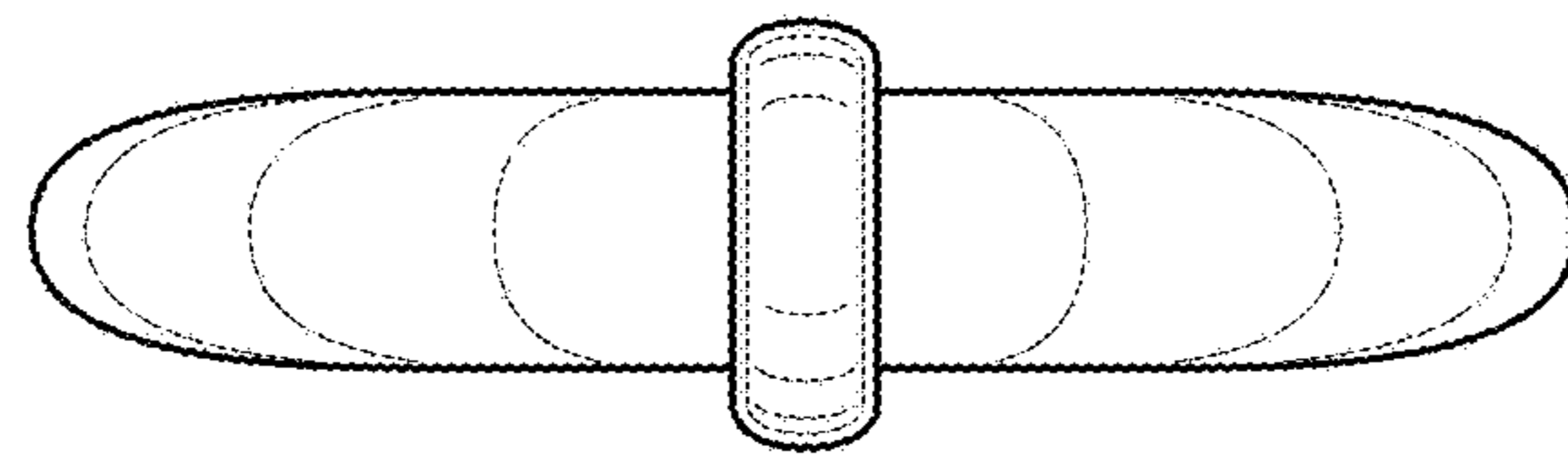
**FIG. 3**



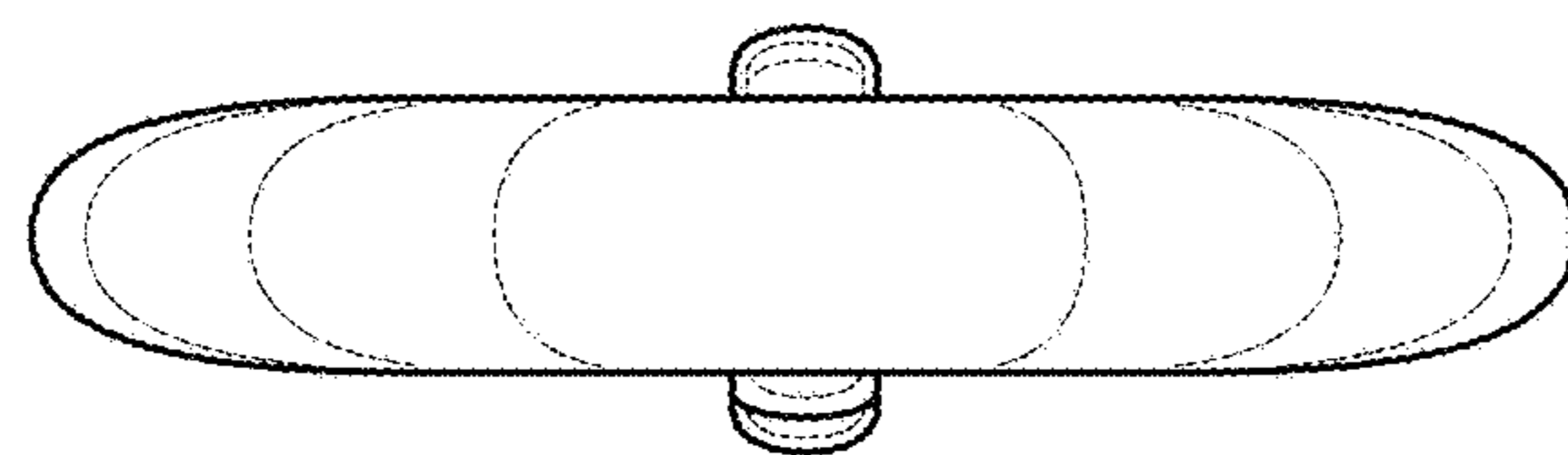
**FIG. 4**



**FIG. 5**



**FIG. 6**



**FIG. 7**