



US00D775979S

(12) **United States Design Patent**
Christianson et al.

(10) **Patent No.:** **US D775,979 S**

(45) **Date of Patent:** **** Jan. 10, 2017**

(54) **SENSOR DEVICE**

(71) Applicant: **Cinch Systems, Inc.**, St. Michael, MN (US)

(72) Inventors: **Joel Curtis Christianson**, Corcoran, MN (US); **William Williamson**, St. Michael, MN (US); **Michael E. Loukusa**, Buffalo, MN (US)

(73) Assignee: **Cinch Systems, Inc.**, St. Michael, MN (US)

(**) Term: **15 Years**

(21) Appl. No.: **29/529,282**

(22) Filed: **Jun. 5, 2015**

(51) **LOC (10) Cl.** **10-04**

(52) **U.S. Cl.**
USPC **D10/70; D10/106.6**

(58) **Field of Classification Search**
USPC D10/46, 70, 106.6
CPC ... G01P 13/00; G01P 13/0006; G01P 13/0013; G01P 13/002; G01P 13/0026; G01P 13/0033; G01P 13/004; G01P 13/0046; G01P 13/0053; G01P 13/006; G01P 13/0066; G01P 13/0073; G01P 13/008; G01P 13/0086; G01P 13/0093; G08B 21/00
See application file for complete search history.

(56) **References Cited**

U.S. PATENT DOCUMENTS

D308,347 S * 6/1990 Bryenton D10/106.6
D669,801 S * 10/2012 Vroonen D10/70

D680,014 S * 4/2013 Corso D10/106.6
D680,459 S * 4/2013 Corso D10/106.6
D693,711 S * 11/2013 Jacobs D10/70
D694,658 S * 12/2013 Avidor D10/70
D707,144 S * 6/2014 Jacobs D10/70
D708,971 S * 7/2014 Jacobs D10/70
D711,258 S * 8/2014 Jacobs D10/70
D713,277 S * 9/2014 Hasegawa D10/106.6
D761,138 S * 7/2016 Manabe D10/70

* cited by examiner

Primary Examiner — Antoine D Davis

(74) *Attorney, Agent, or Firm* — Schwegman Lundberg & Woessner, P.A.

(57) **CLAIM**

The ornamental design for a sensor device, as shown and described.

DESCRIPTION

FIG. 1 is a top plan view of a sensor device, showing our new design.

FIG. 2 is a bottom plan view of the sensor device.

FIG. 3 is a front elevation view of the sensor device.

FIG. 4 is a rear elevation view of the sensor device.

FIG. 5 is a left side elevation view of the sensor device.

FIG. 6 is a right side elevation view of the sensor device.

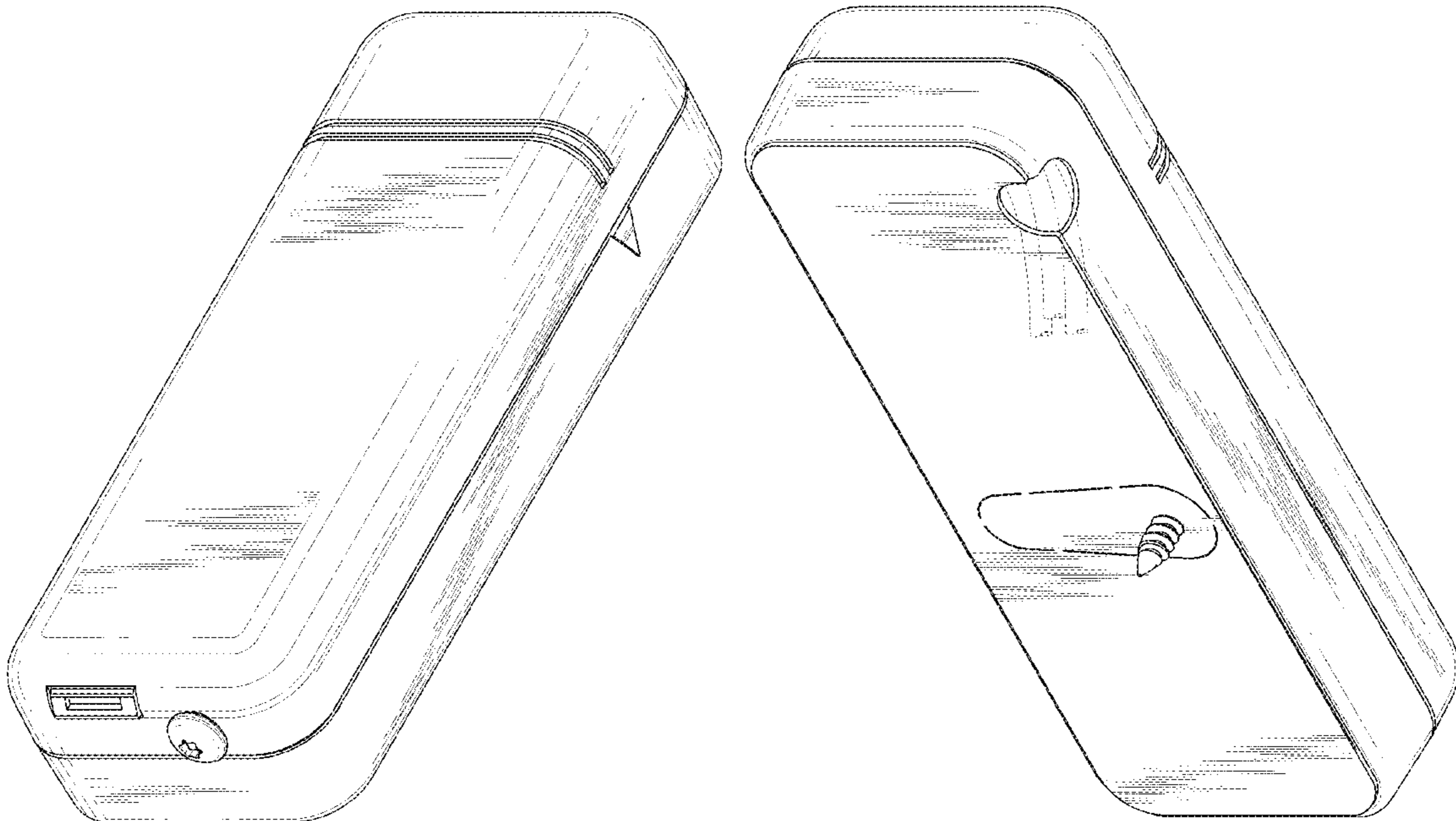
FIG. 7 is a top-left-rear isometric view of the sensor device; and,

FIG. 8 is a bottom-right-front isometric view of the sensor device.

The shade lines show contour and not surface ornamentation.

Subject matter shown in broken lines is environmental and forms no part of the claimed design.

1 Claim, 7 Drawing Sheets



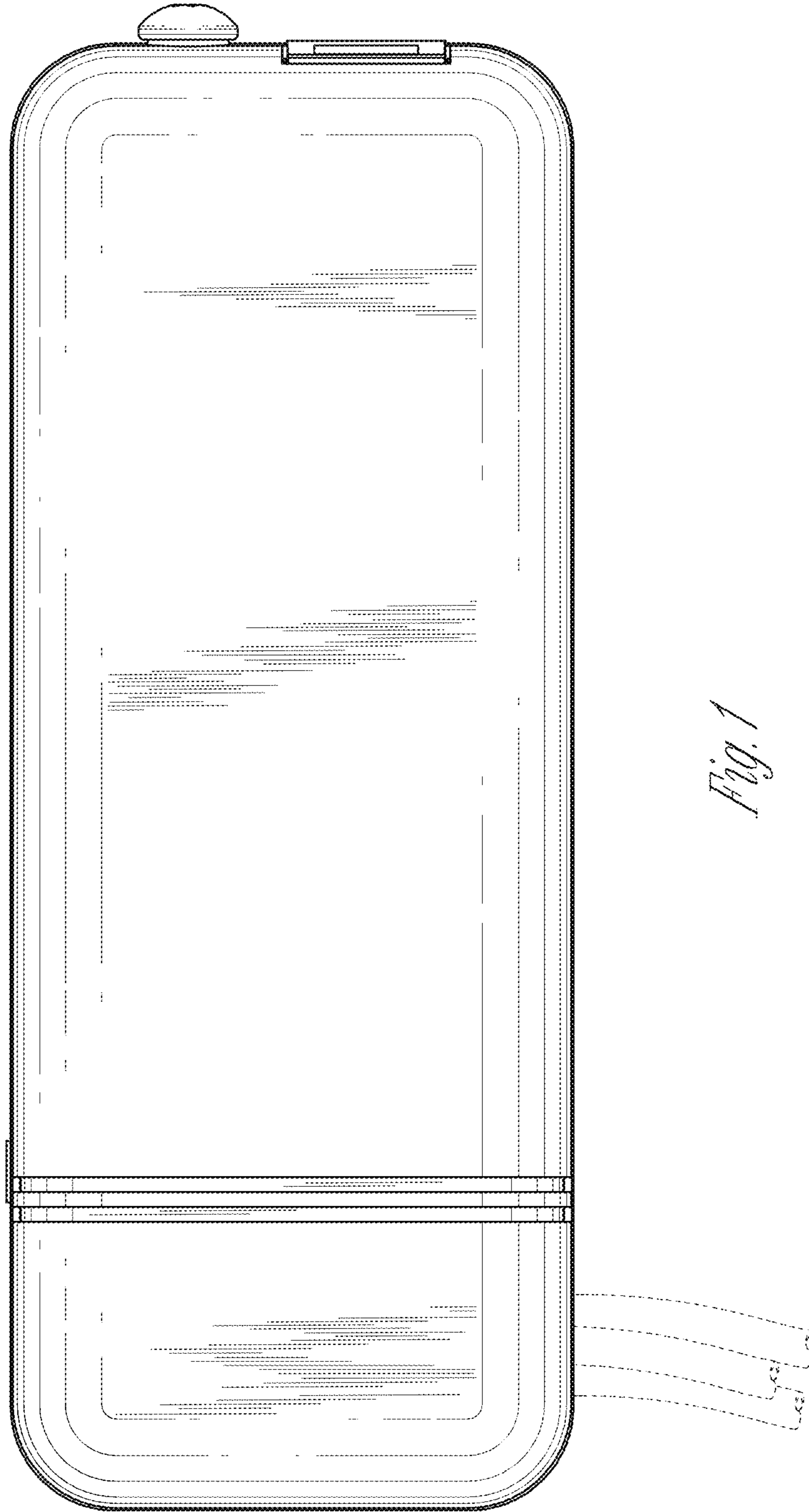


Fig. 1

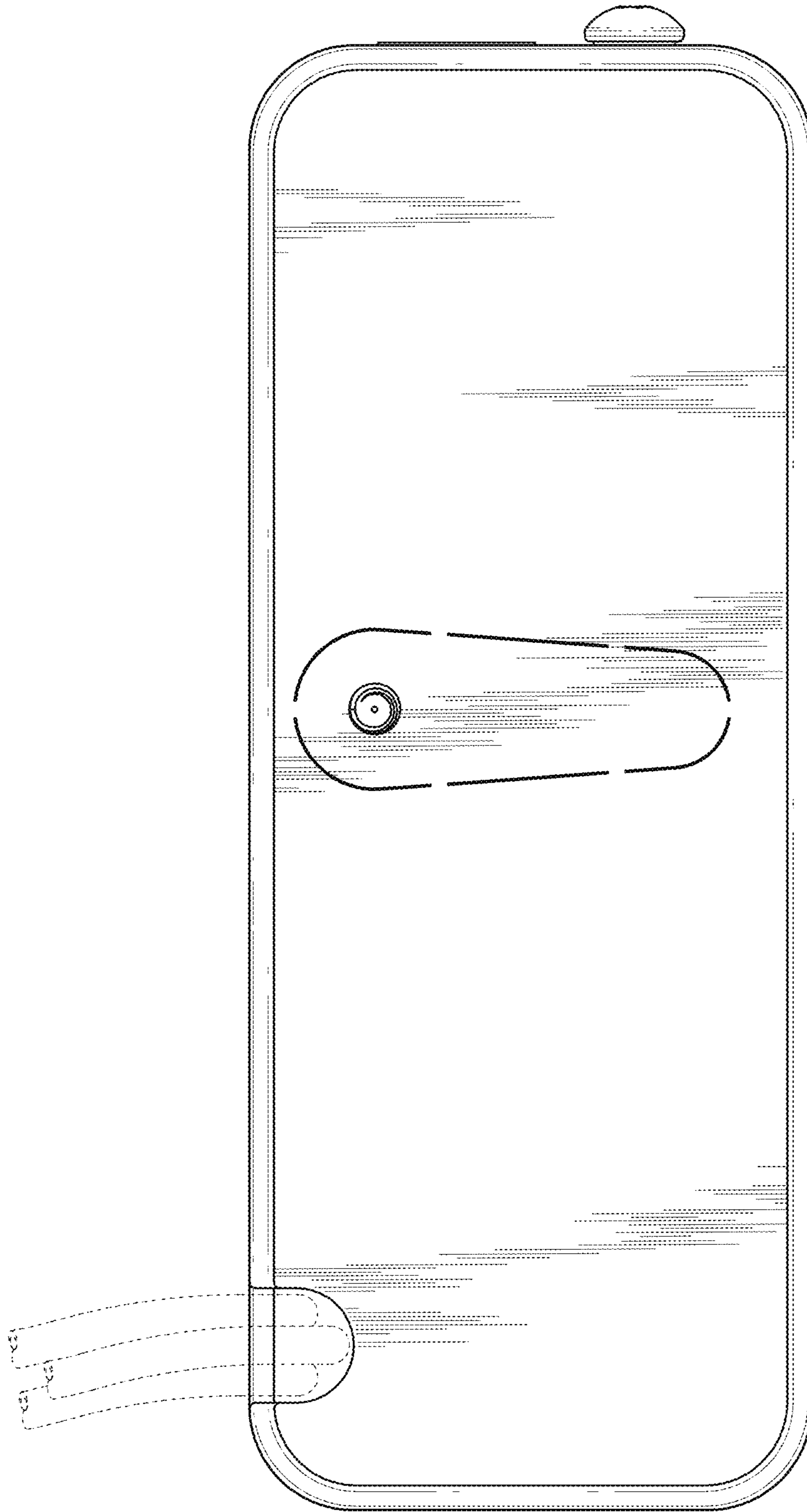


Fig. 2

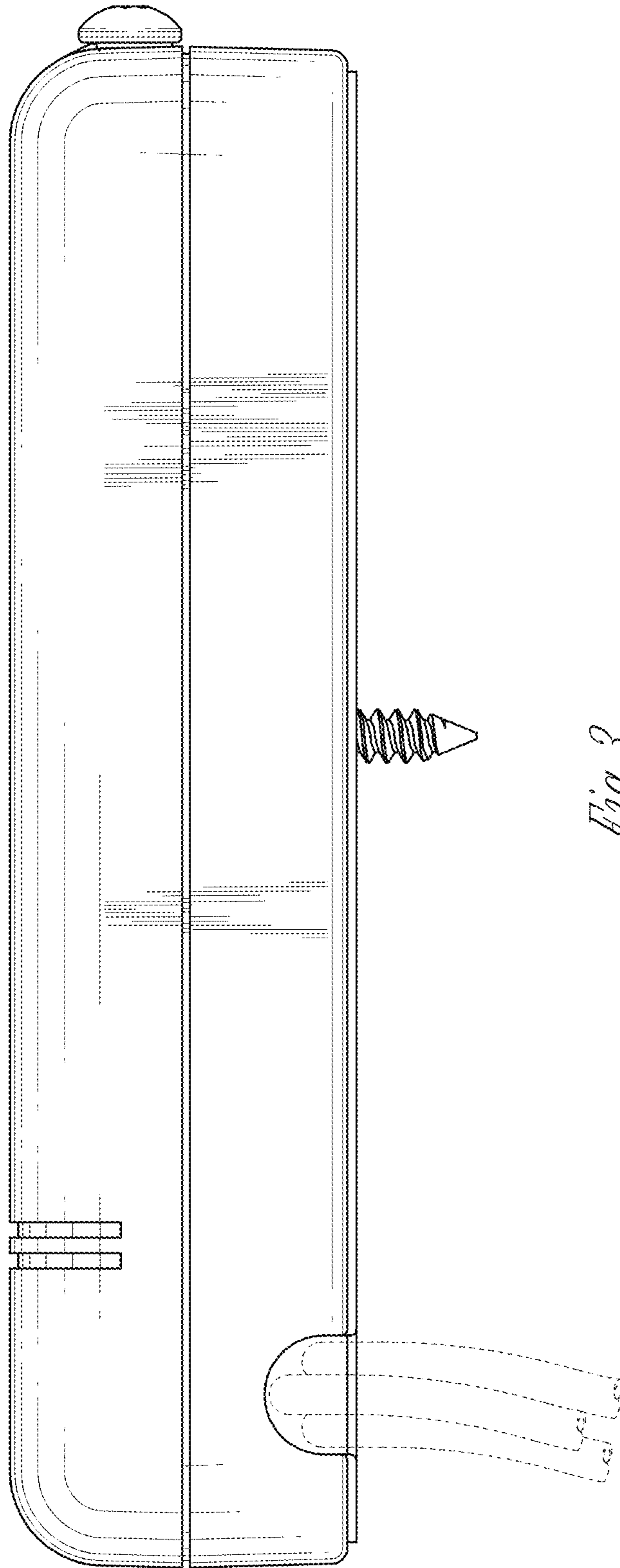


Fig. 3

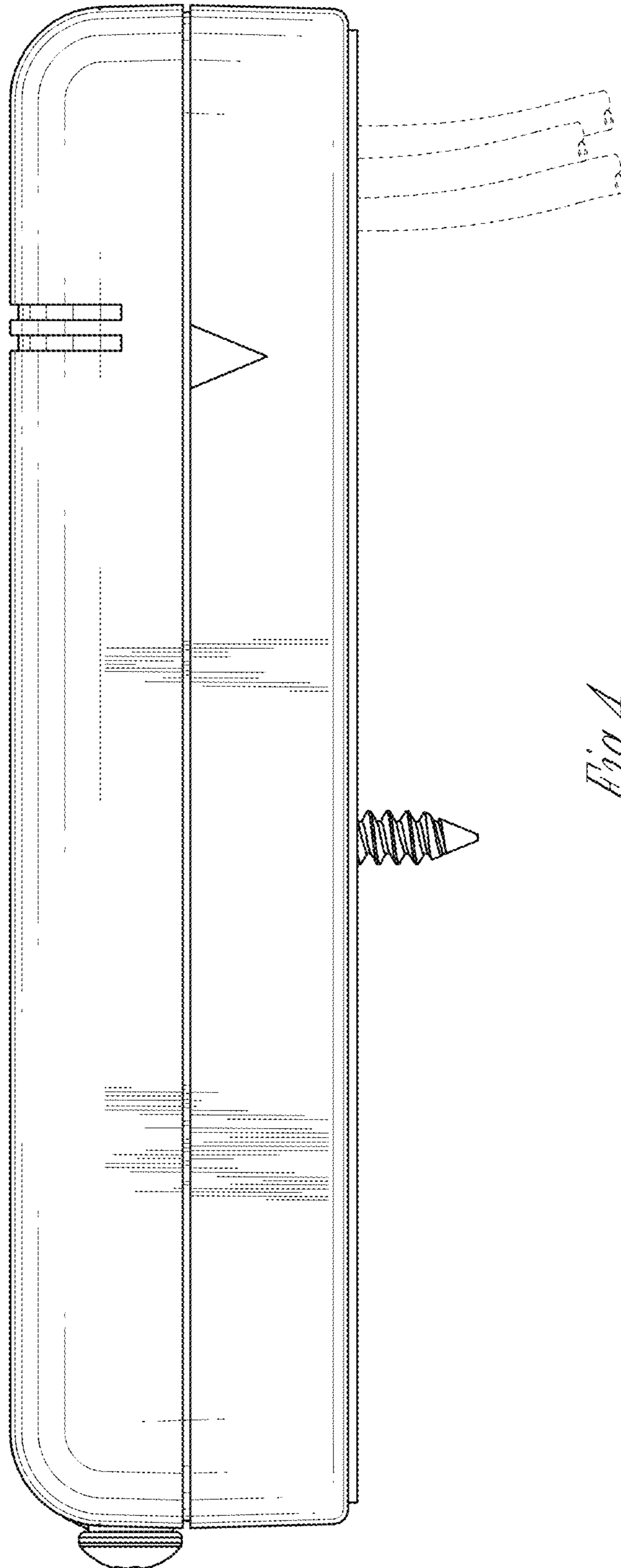


Fig. 4

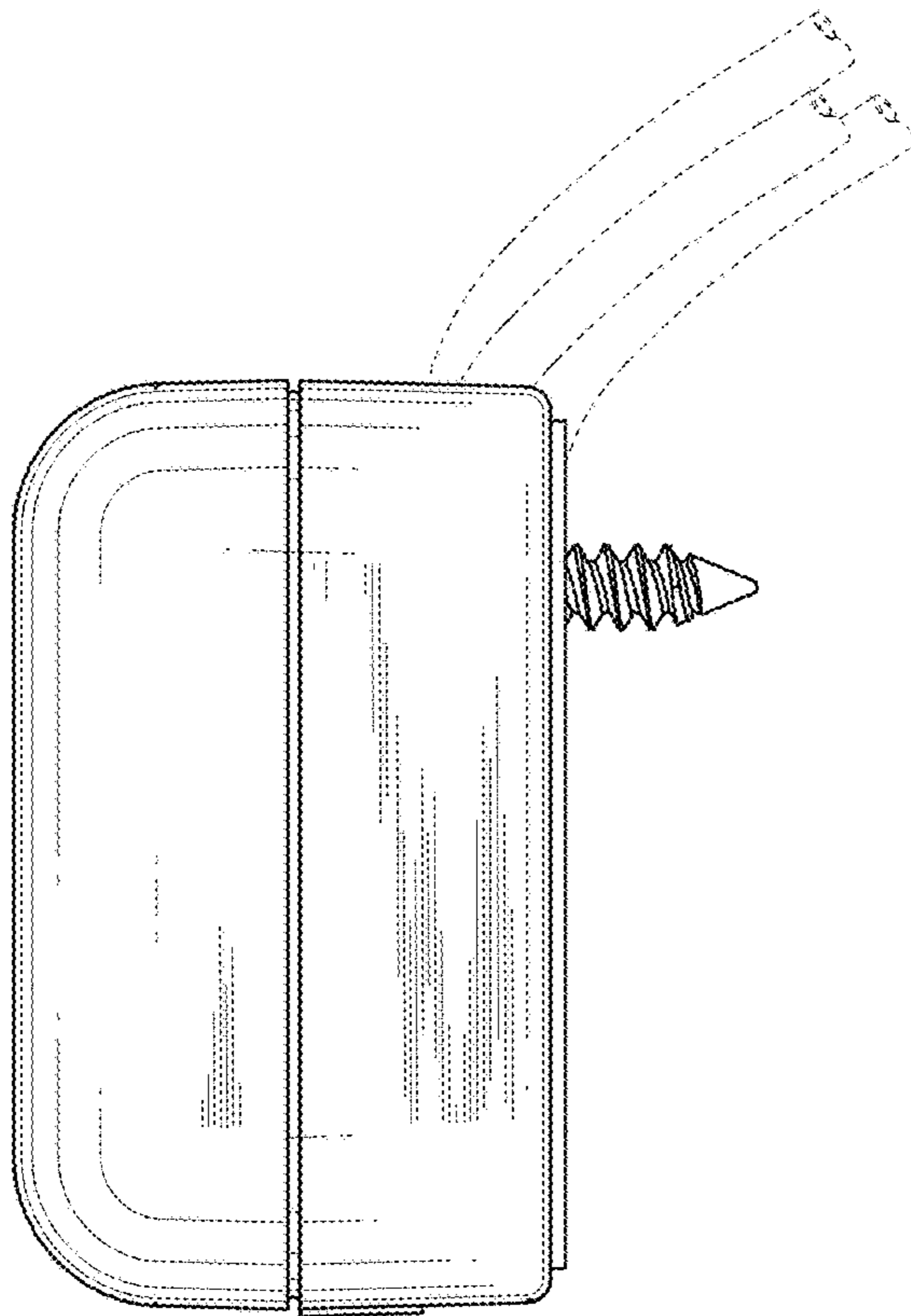


Fig. 6

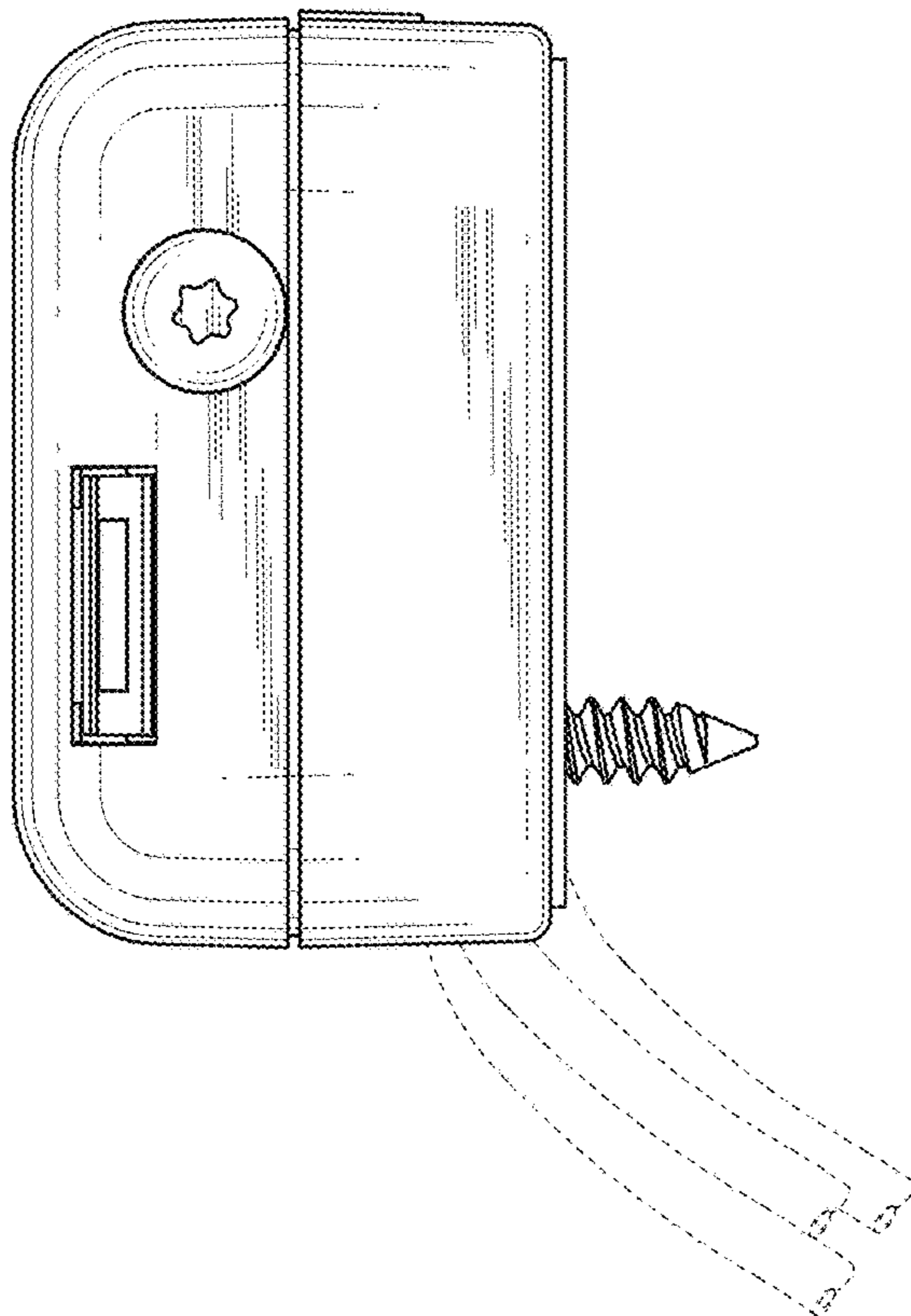


Fig. 5

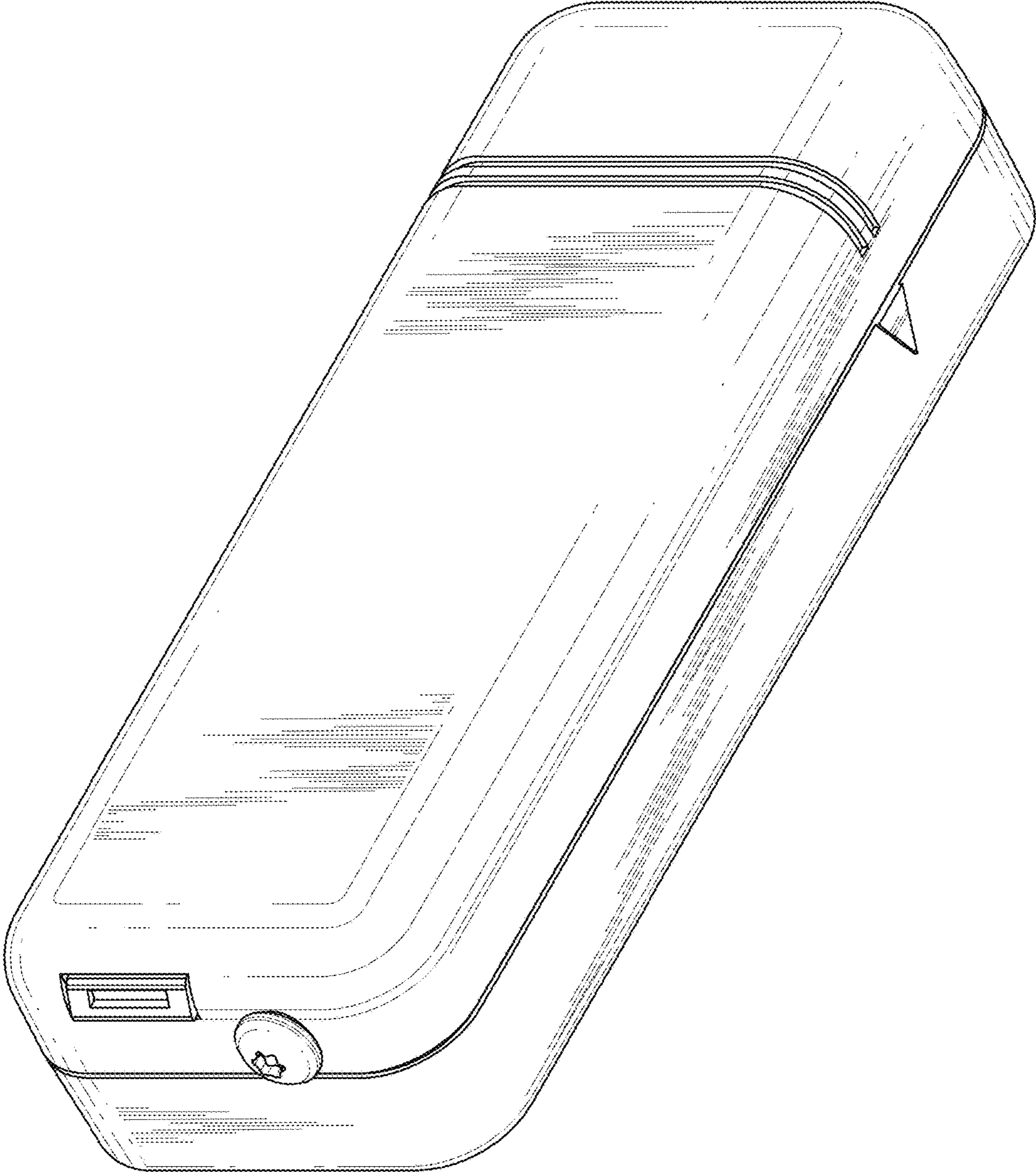


Fig. 7

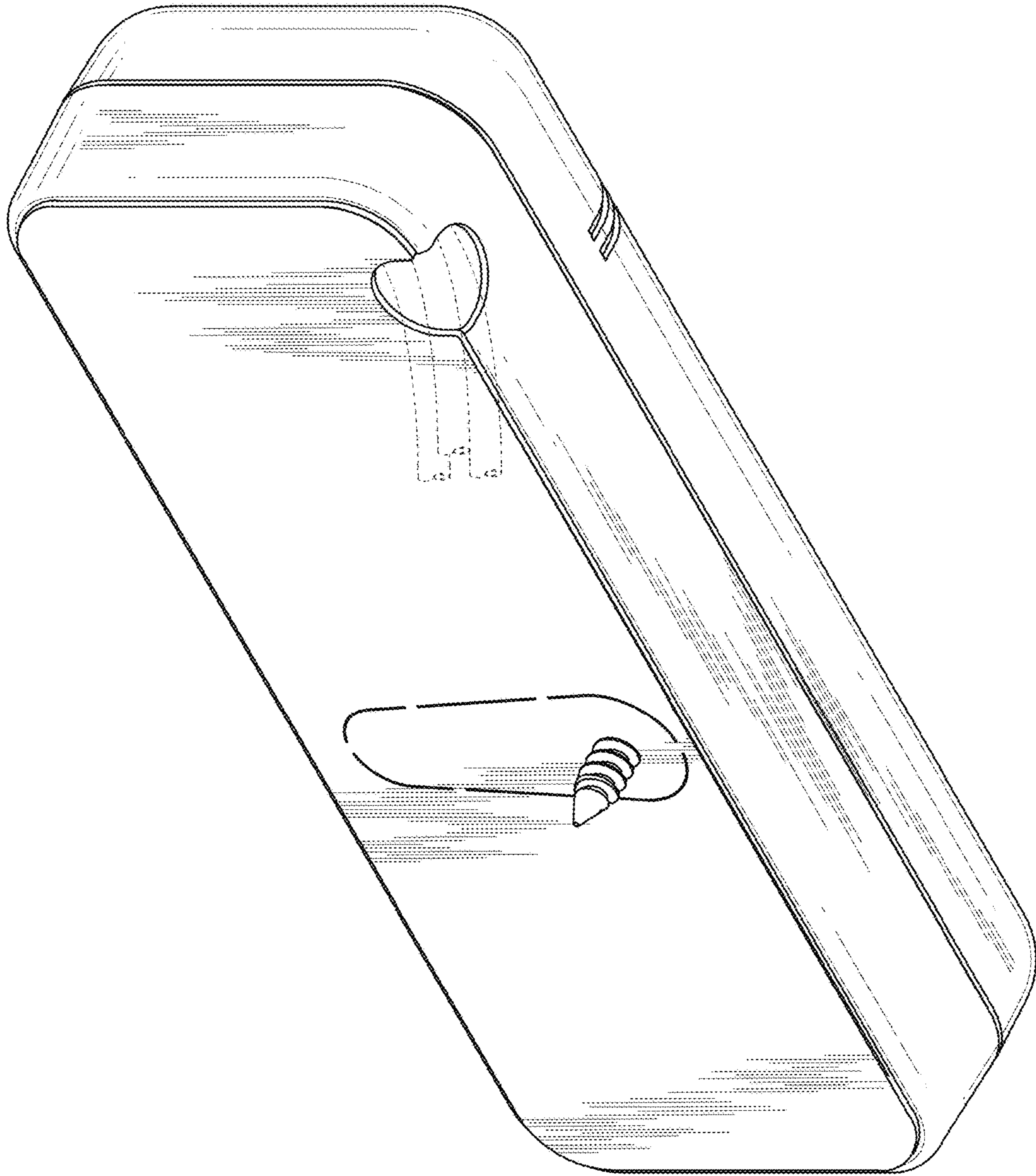


Fig. 8