



US00D775977S

(12) **United States Design Patent**
Wu et al.

(10) **Patent No.:** **US D775,977 S**
(45) **Date of Patent:** **** Jan. 10, 2017**

(54) **MOISTURE ANALYZER**
(71) Applicant: **OHAUS Instruments (Changzhou) Co., Ltd**, Changzhou, Jiangsu Province (CN)
(72) Inventors: **Jian Wu**, Shanghai (CN); **Fangyuan Zhao**, Shanghai (CN); **Huawei Zhang**, Shanghai (CN)
(73) Assignee: **OHAUS INSTRUMENTS (CHANGZHOU) CO., LTD**, Changzhou (CN)

D438,808 S * 3/2001 Dwertmann D10/81
6,247,246 B1 * 6/2001 Scalese G01N 22/04
219/678
6,320,170 B1 * 11/2001 Jennings G01N 5/045
219/679

* cited by examiner

Primary Examiner — Antoine D Davis

(74) *Attorney, Agent, or Firm* — Standley Law Group LLP

(**) Term: **15 Years**

(57) **CLAIM**

(21) Appl. No.: **29/540,200**

The ornamental design for a moisture analyzer, as shown and described.

(22) Filed: **Sep. 22, 2015**

(51) **LOC (10) Cl.** **10-04**

(52) **U.S. Cl.**
USPC **D10/56**

(58) **Field of Classification Search**
USPC D10/56
CPC ... G01N 27/048; G01R 27/121; G01R 27/223;
G01R 27/225

See application file for complete search history.

DESCRIPTION

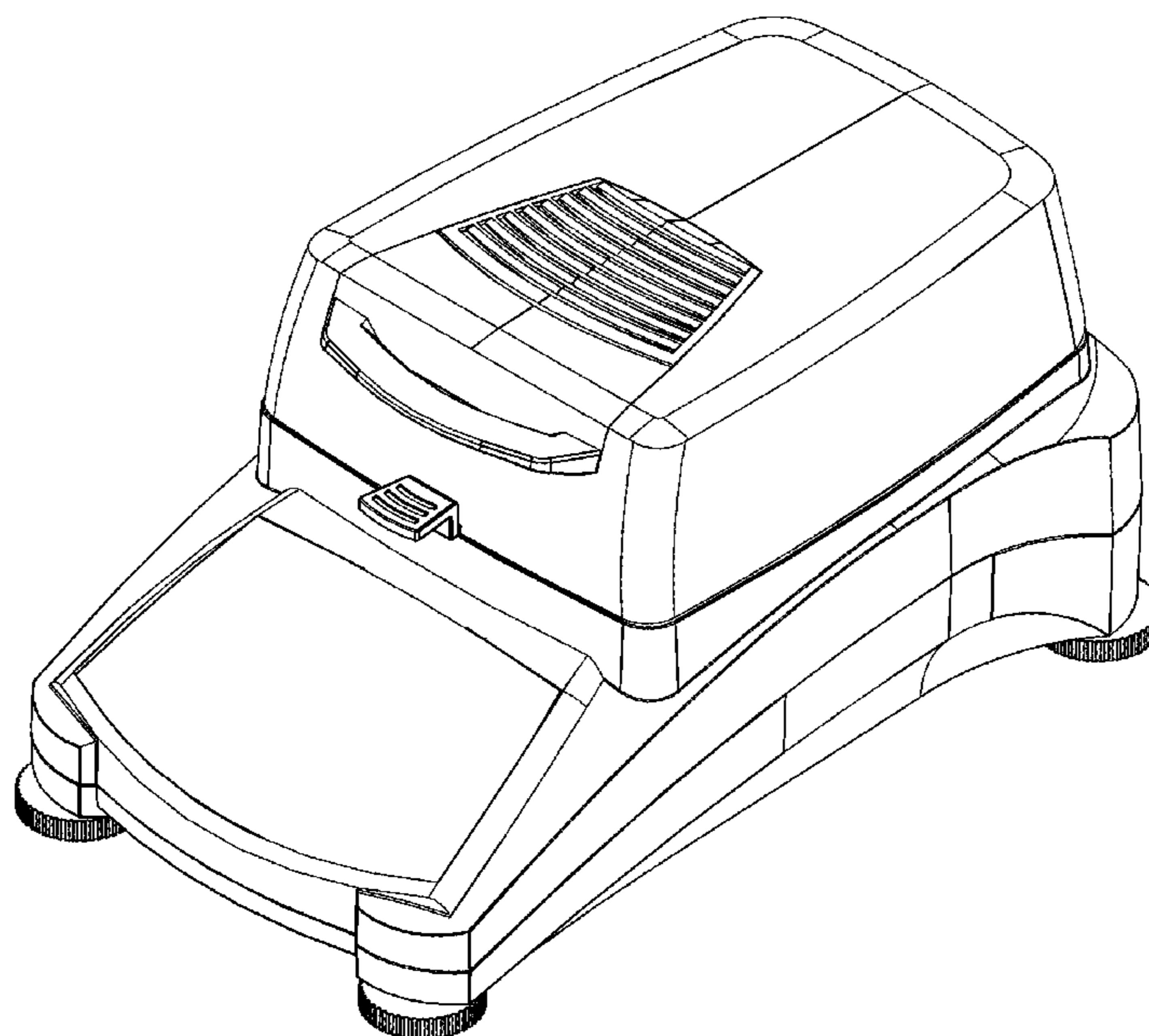
FIG. 1 is a front perspective view of the moisture analyzer; FIG. 2 is a left-side elevation view thereof; FIG. 3 is a top plan view thereof; FIG. 4 is a right-side elevation view thereof; FIG. 5 is a bottom plan view thereof; FIG. 6 is a front elevation view thereof; and, FIG. 7 is a rear elevation view thereof.

(56) **References Cited**

U.S. PATENT DOCUMENTS

D256,783 S * 9/1980 Moon D10/56
6,092,924 A * 7/2000 Scalese G01N 22/04
333/208

1 Claim, 7 Drawing Sheets



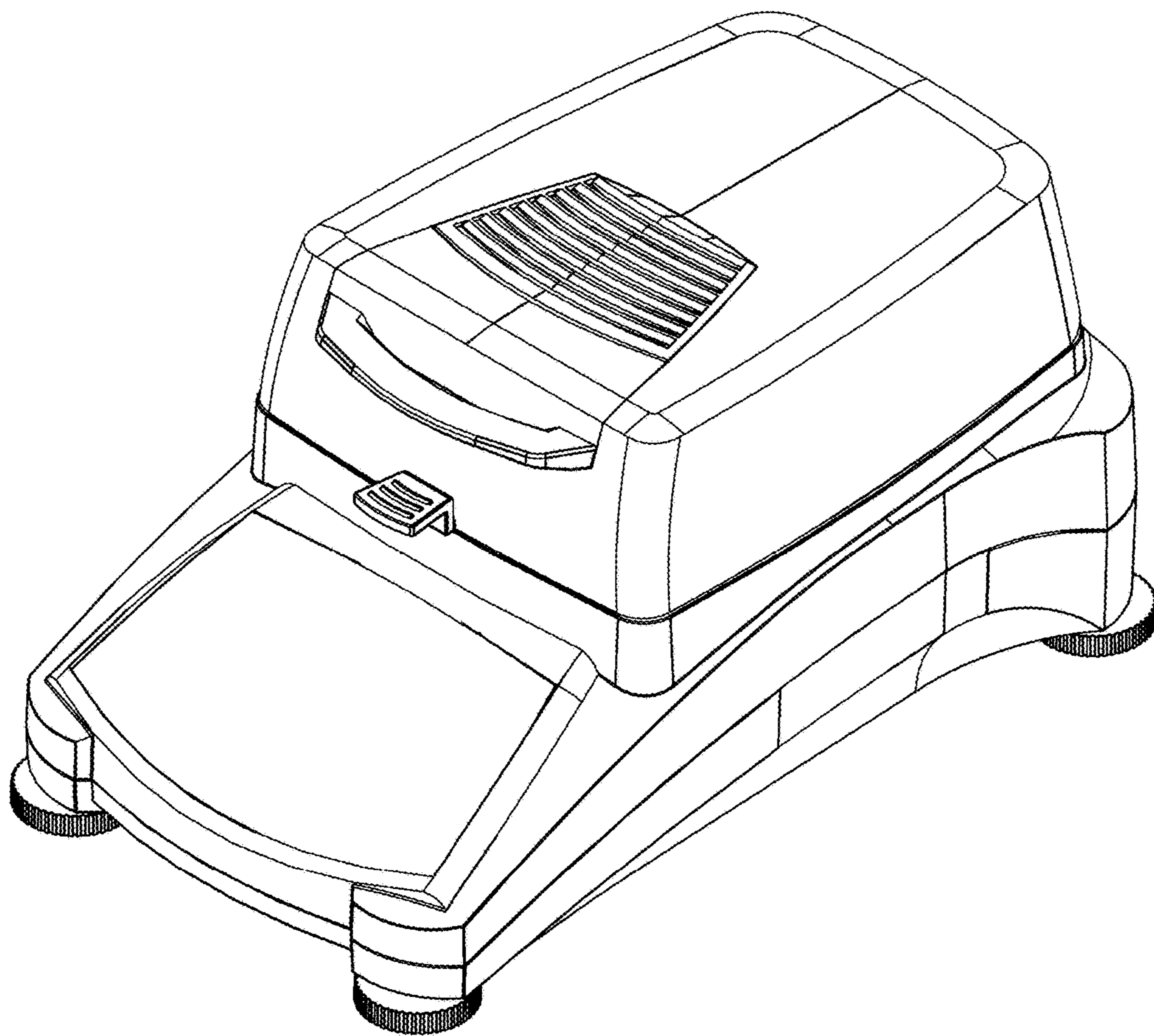


Fig. 1

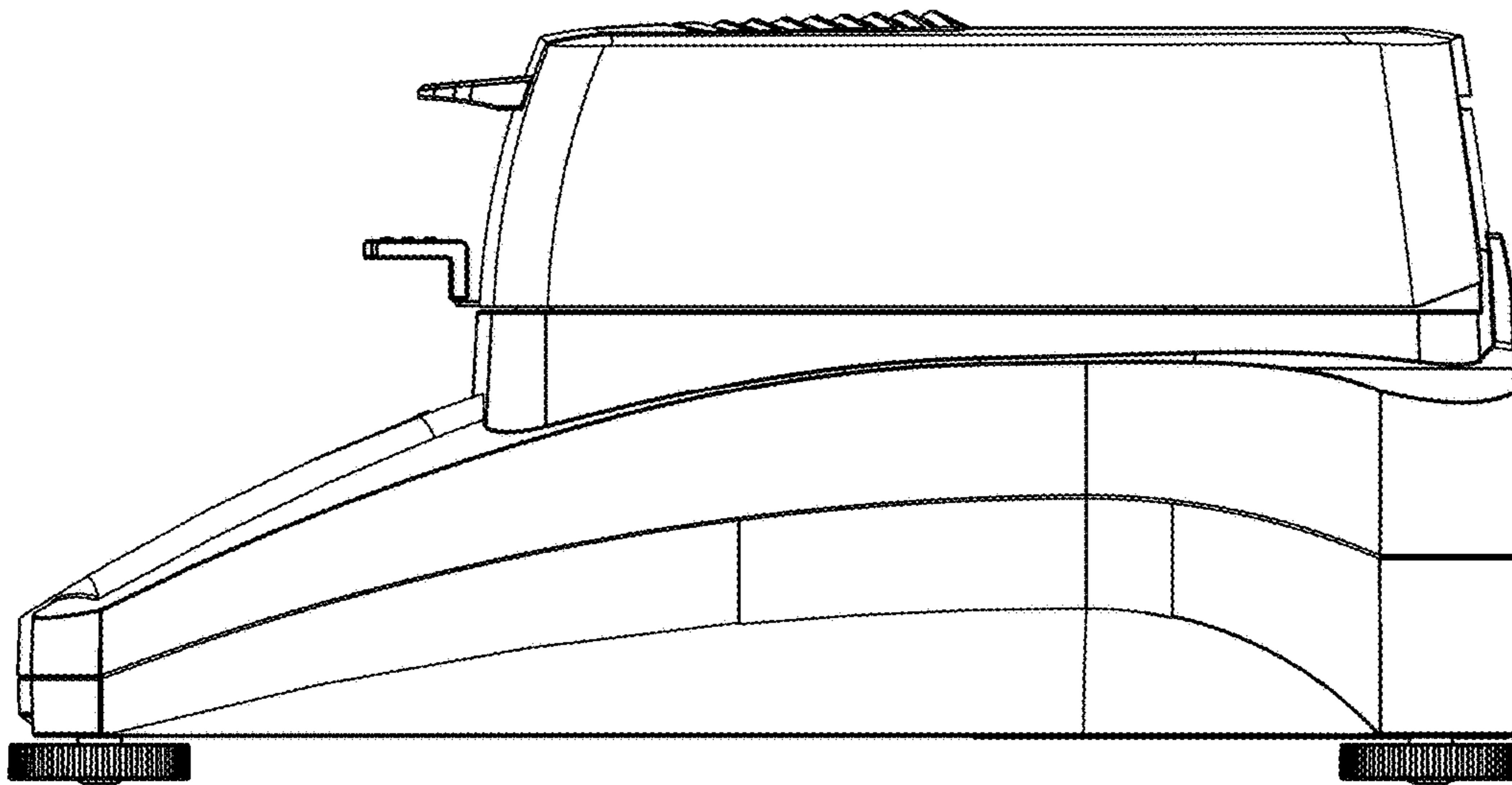


Fig. 2

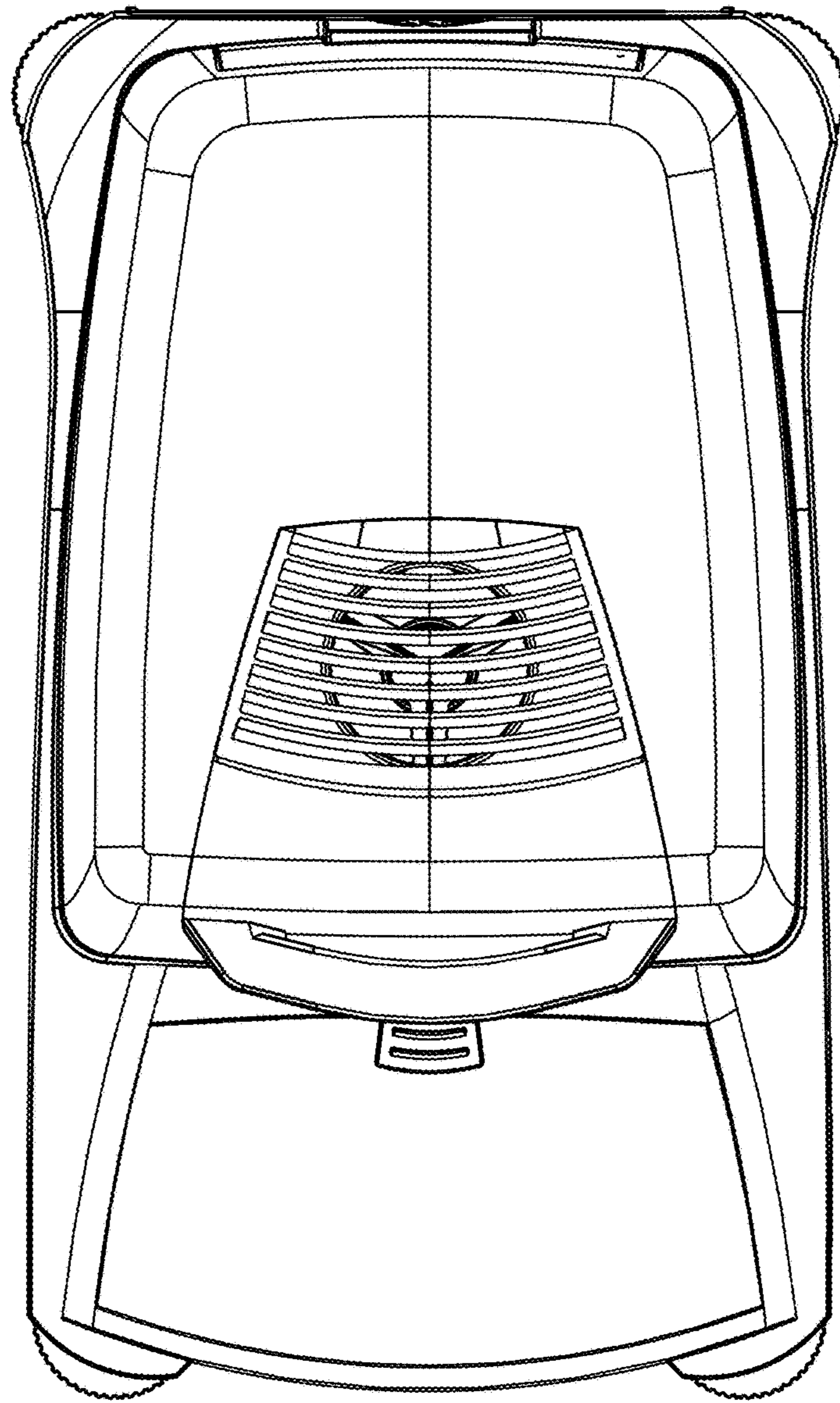


Fig. 3

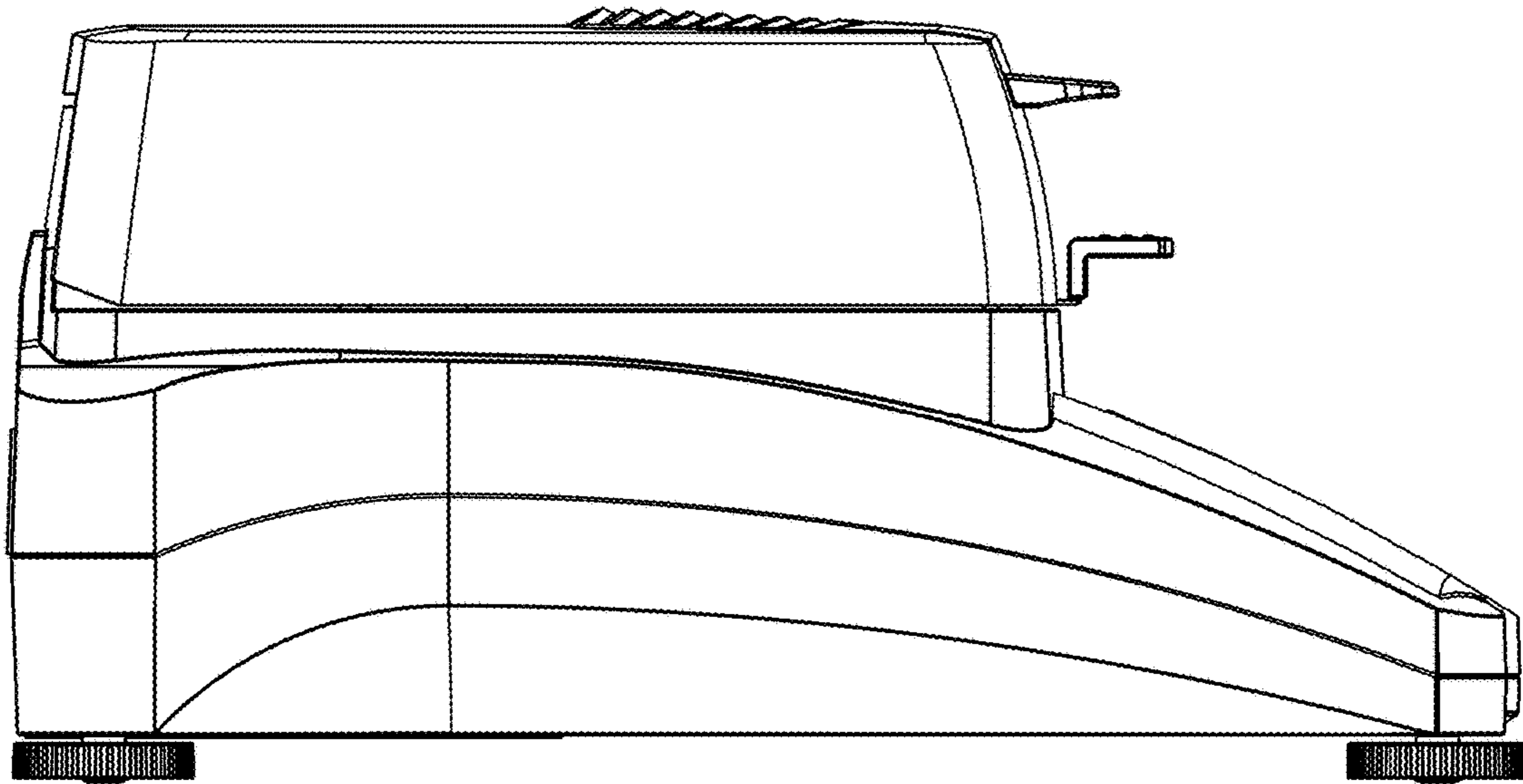


Fig. 4

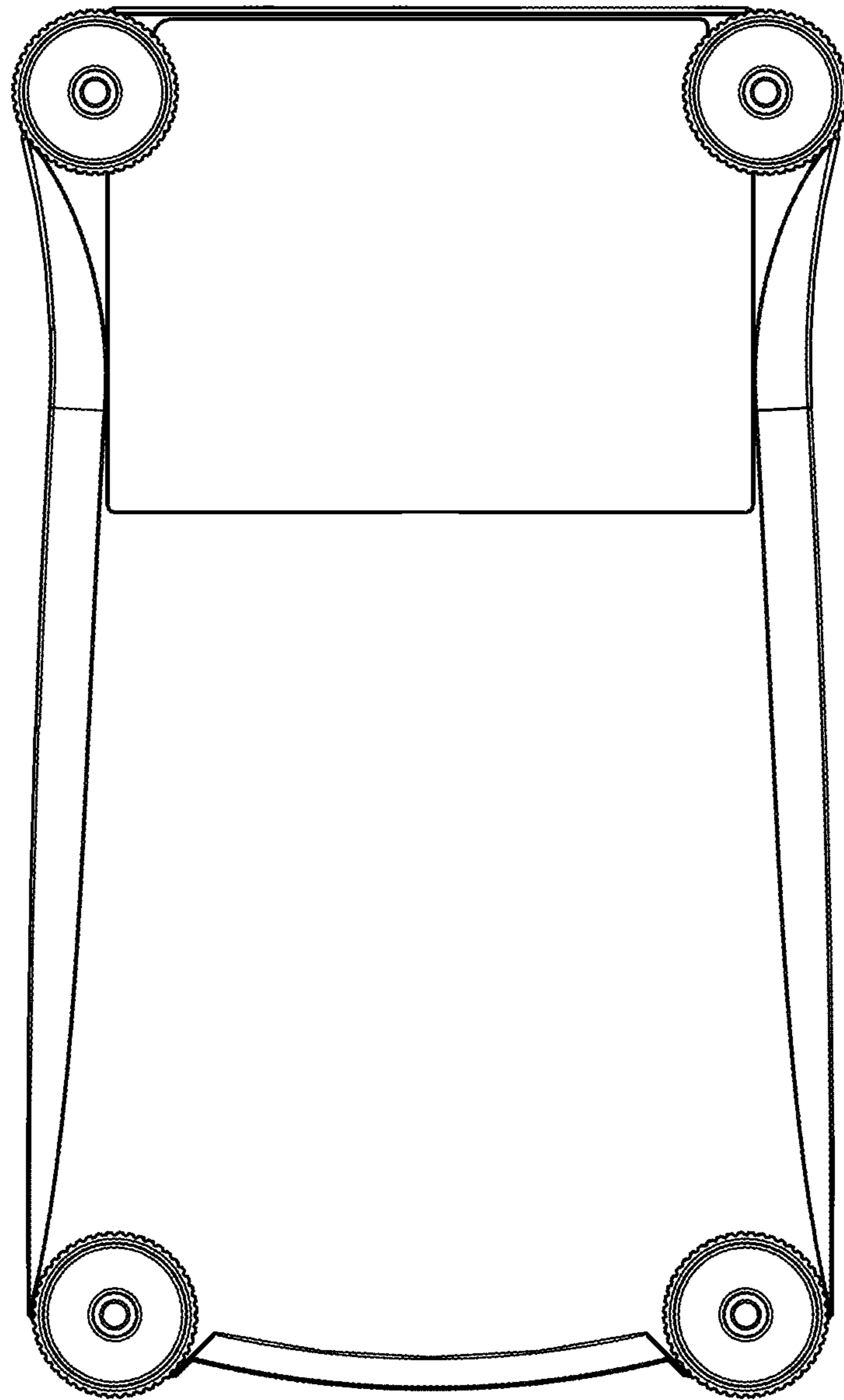


Fig. 5

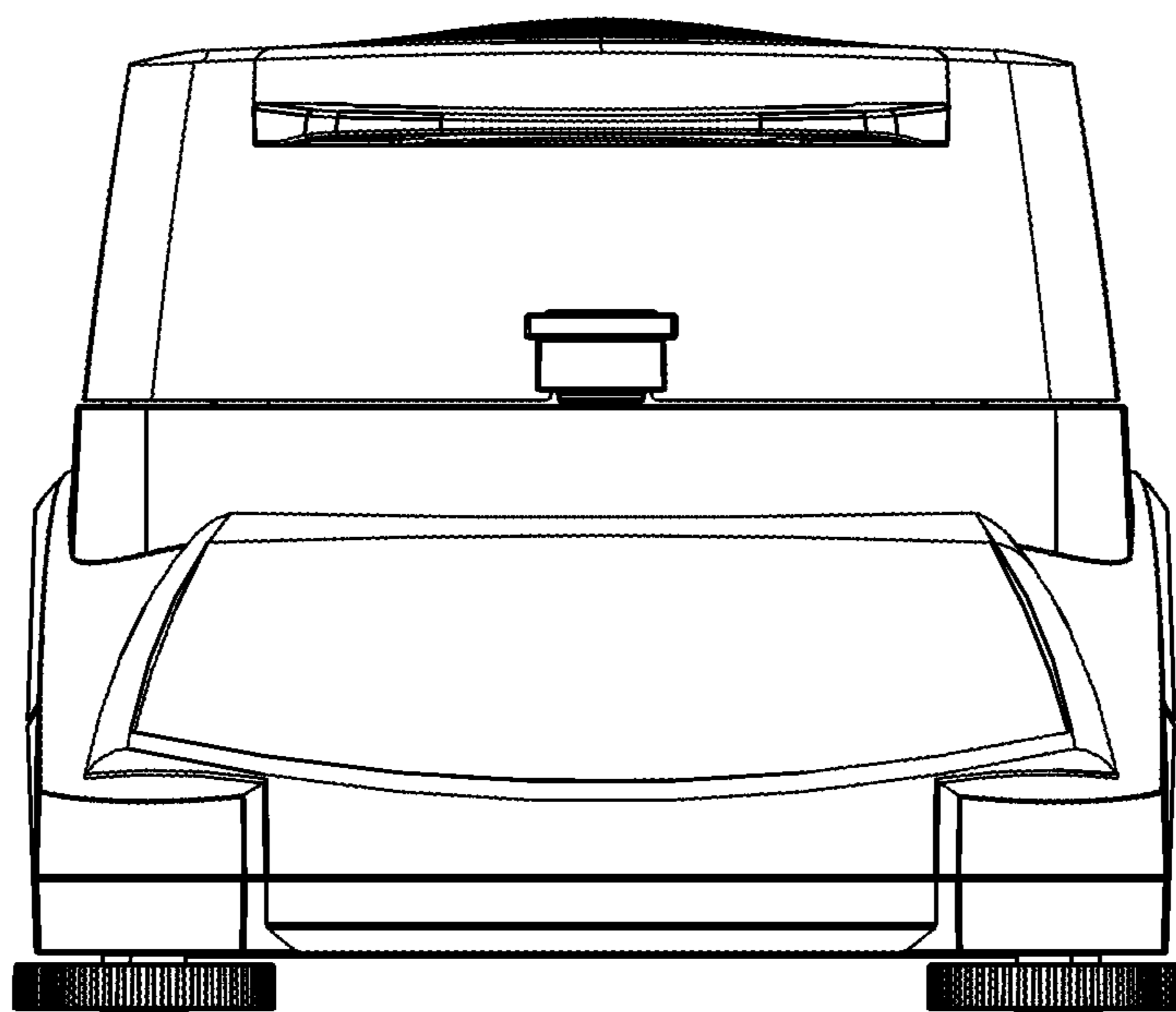


Fig. 6

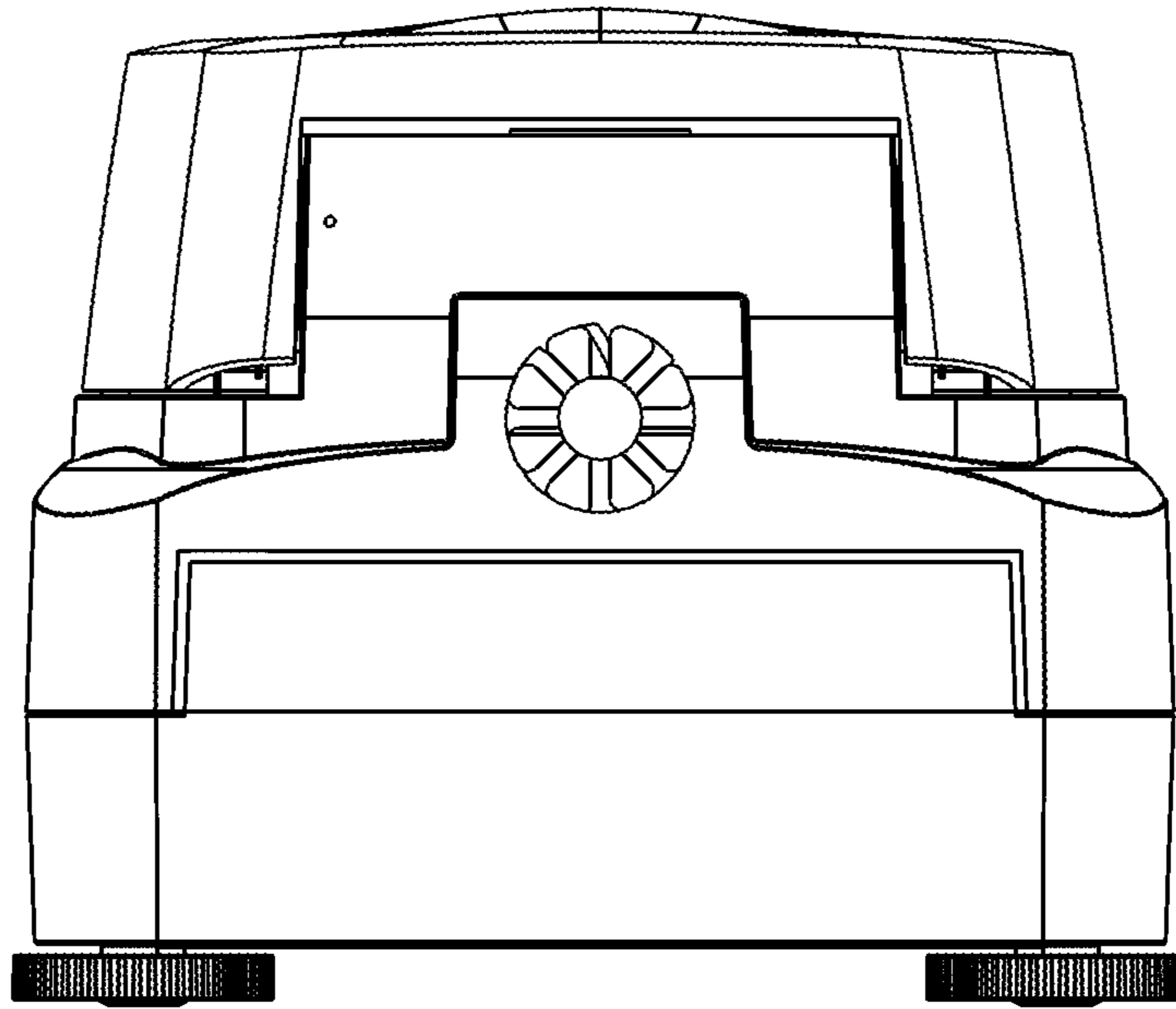


Fig. 7