



US00D775974S

(12) **United States Design Patent** (10) **Patent No.:** **US D775,974 S**
Benoit (45) **Date of Patent:** **** Jan. 10, 2017**

(54) **PUSHER AND MEASURING CUP**
(71) Applicant: **Whirlpool Corporation**, Benton Harbor, MI (US)
(72) Inventor: **Kaitlyn M. Benoit**, Saint Joseph, MI (US)
(73) Assignee: **Whirlpool Corporation**, Benton Harbor, MI (US)
(**) Term: **14 Years**
(21) Appl. No.: **29/512,568**
(22) Filed: **Dec. 19, 2014**
(51) **LOC (10) Cl.** **10-04**
(52) **U.S. Cl.**
USPC **D10/46.2**
(58) **Field of Classification Search**
USPC D10/46.2, 46; D7/589, 590, 602, 603, D7/612
CPC B65D 85/50; B65D 85/505; B65D 85/52; A47J 31/40
See application file for complete search history.

D650,663 S * 12/2011 Shiffer D9/425
D651,528 S * 1/2012 Robbins, III D10/46.2
D666,926 S * 9/2012 De Leo D10/46.2
D691,341 S * 10/2013 Barre D32/37
D748,991 S * 2/2016 Cerrato D9/737

* cited by examiner

Primary Examiner — George D Kirschbaum
Assistant Examiner — Clese Moore, Jr.

(57) **CLAIM**

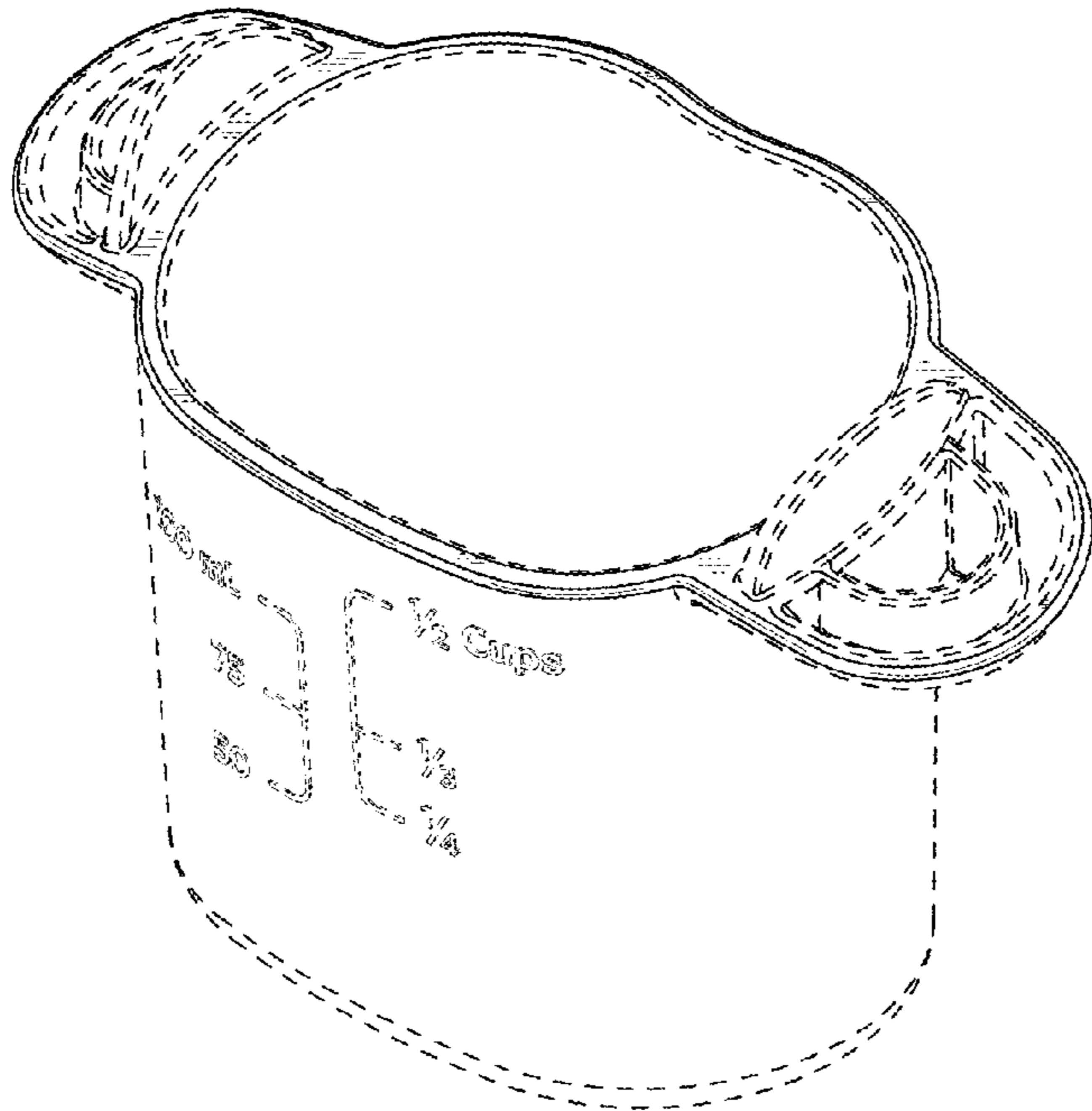
I claim the ornamental design for a pusher and measuring cup, as shown and described.

DESCRIPTION

FIG. 1 is a front perspective view of one embodiment of a pusher/measuring cup of the present disclosure;
FIG. 2 is a rear perspective view of the pusher/measuring cup of FIG. 1;
FIG. 3 is a front elevational view of the pusher/measuring cup of FIG. 1;
FIG. 4 is a rear elevational view of the pusher/measuring cup of FIG. 1;
FIG. 5 is a first side elevational view of the pusher/measuring cup of FIG. 1;
FIG. 6 is a second side elevational view of the pusher/measuring cup of FIG. 1;
FIG. 7 is a top plan view of the pusher/measuring cup of FIG. 1; and,
FIG. 8 is a bottom plan view of the pusher/measuring cup of FIG. 1.
The broken lines illustrated show portions of the measuring cup that form no part of the claimed design.

1 Claim, 4 Drawing Sheets

(56) **References Cited**
U.S. PATENT DOCUMENTS
D311,869 S * 11/1990 Carlson D7/603
D444,035 S * 6/2001 Austen-Meek D7/602
D544,378 S * 6/2007 Curtin D10/46.2
D548,115 S * 8/2007 Sawhney D10/46.2
D580,799 S * 11/2008 Curtin D10/46.2
D584,174 S * 1/2009 Jalet D10/46.2
D630,899 S * 1/2011 Samartgis D7/602
D634,165 S * 3/2011 Yang D7/603



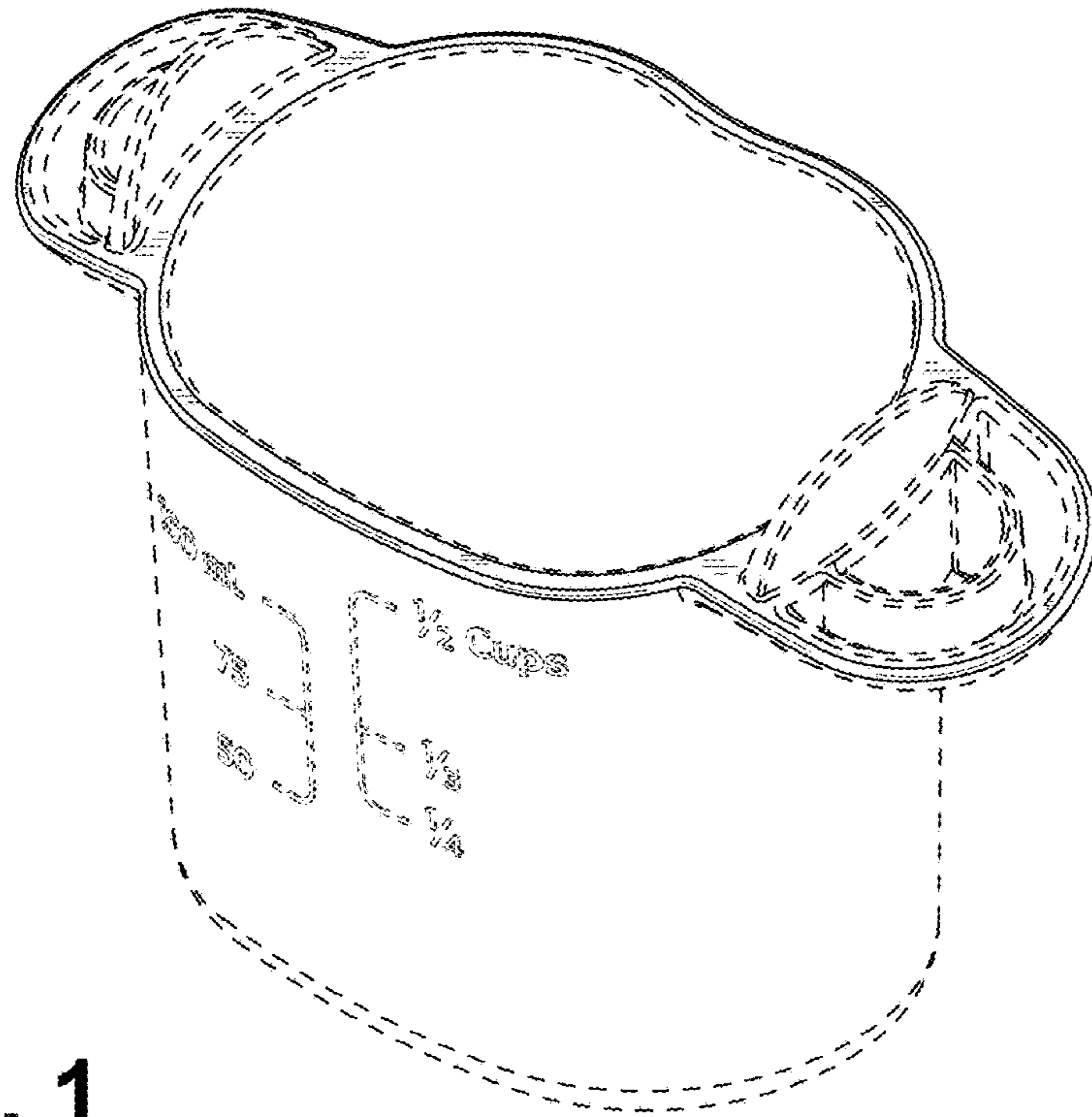


FIG. 1

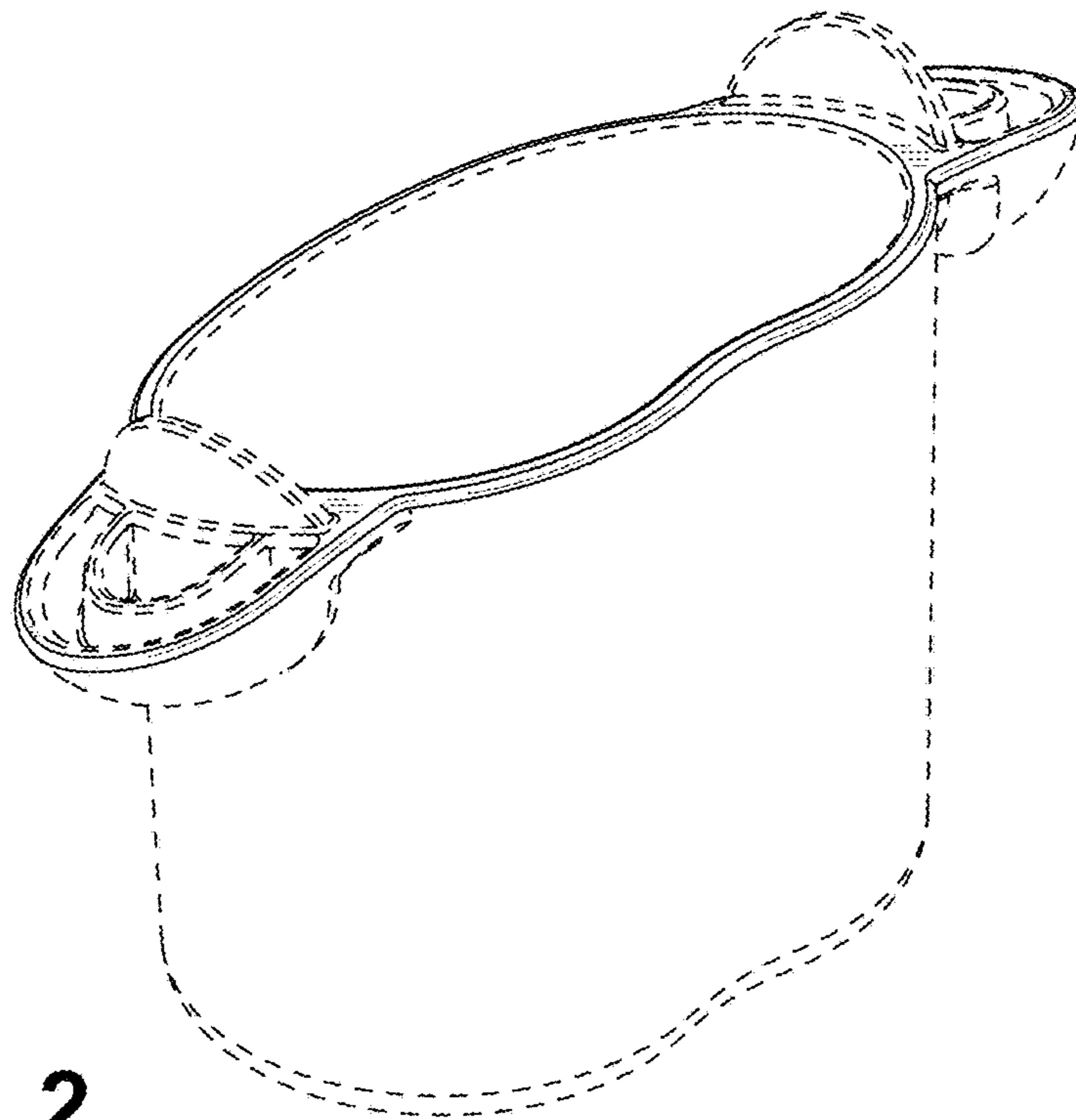


FIG. 2

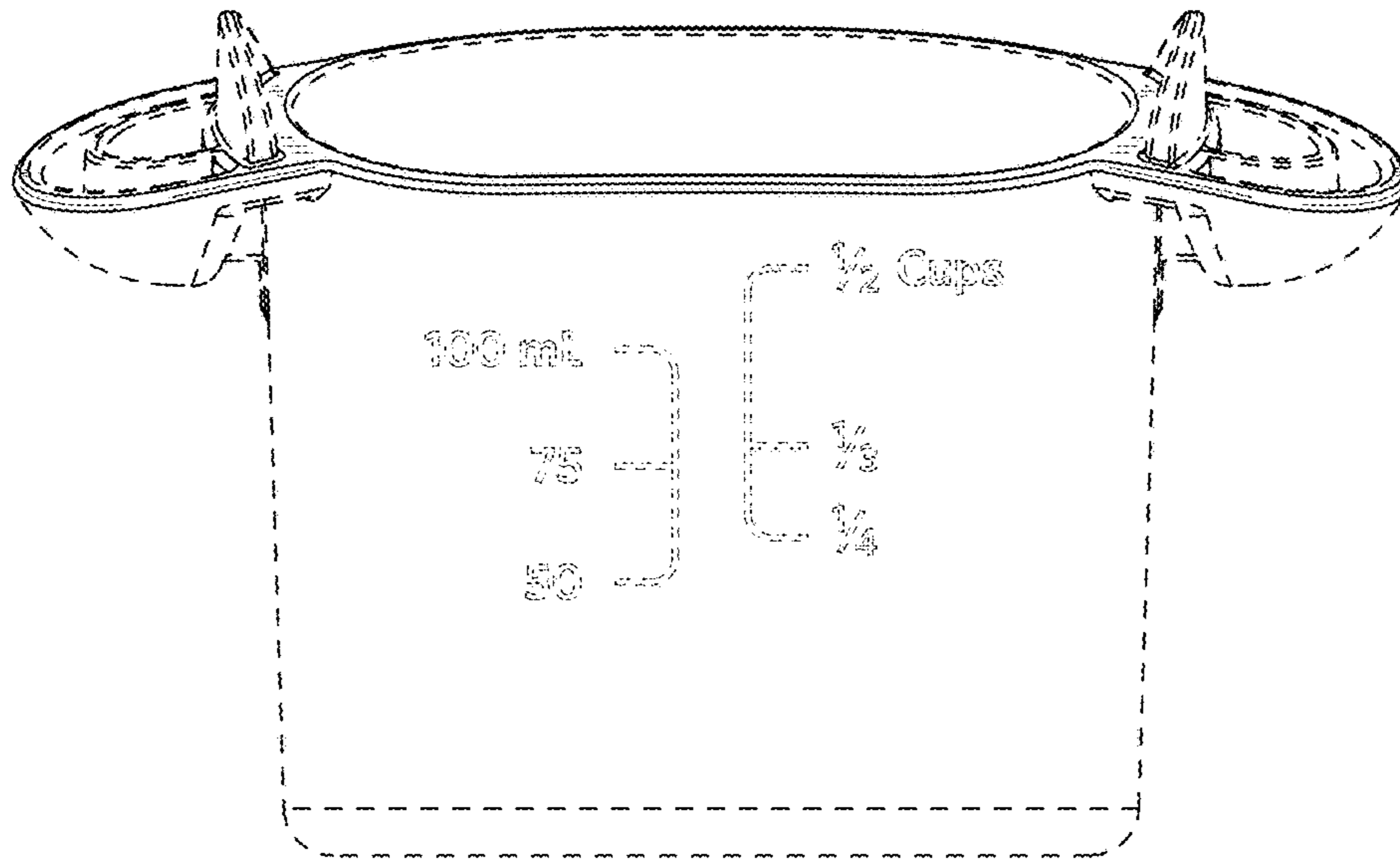


FIG. 3

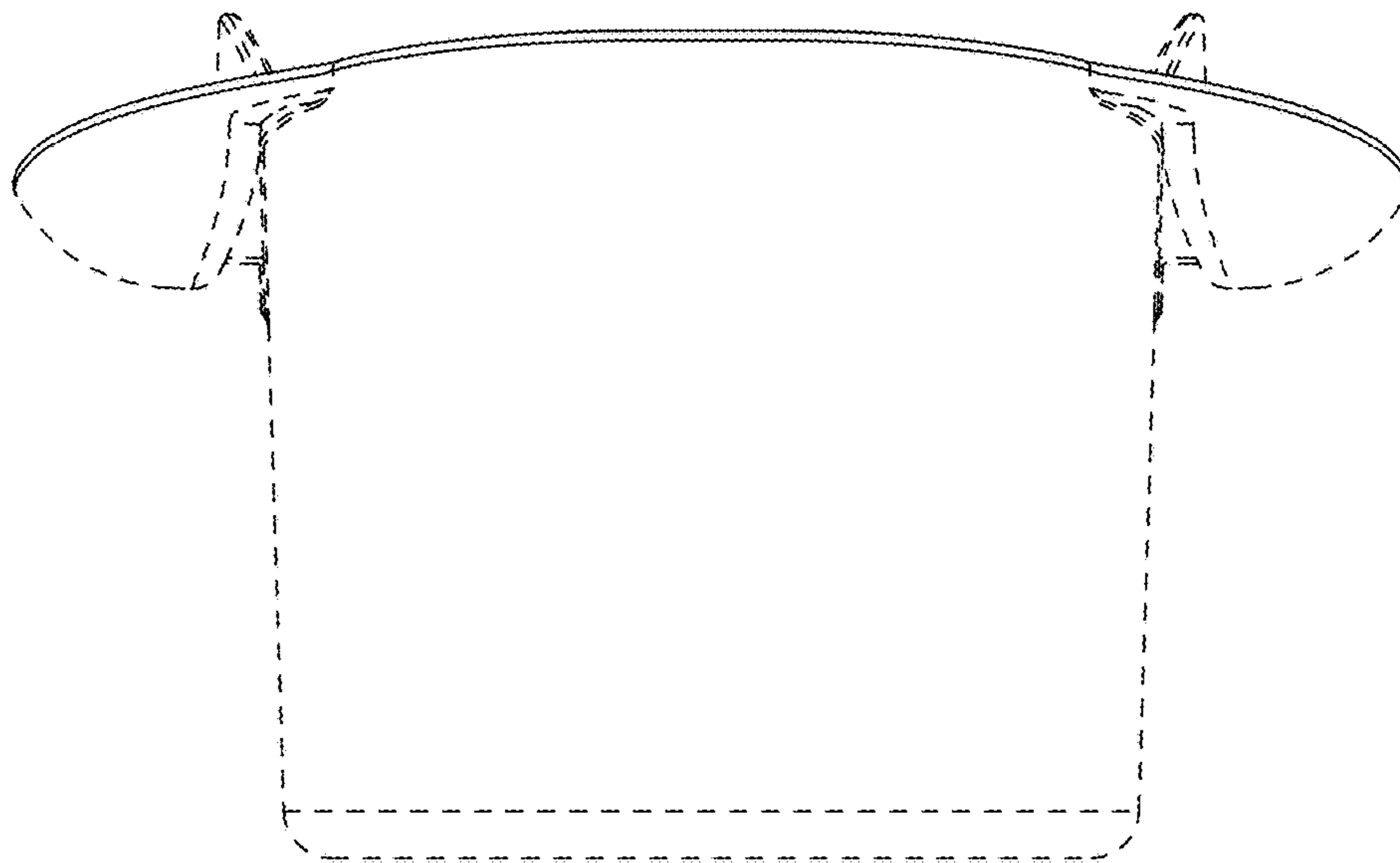


FIG. 4

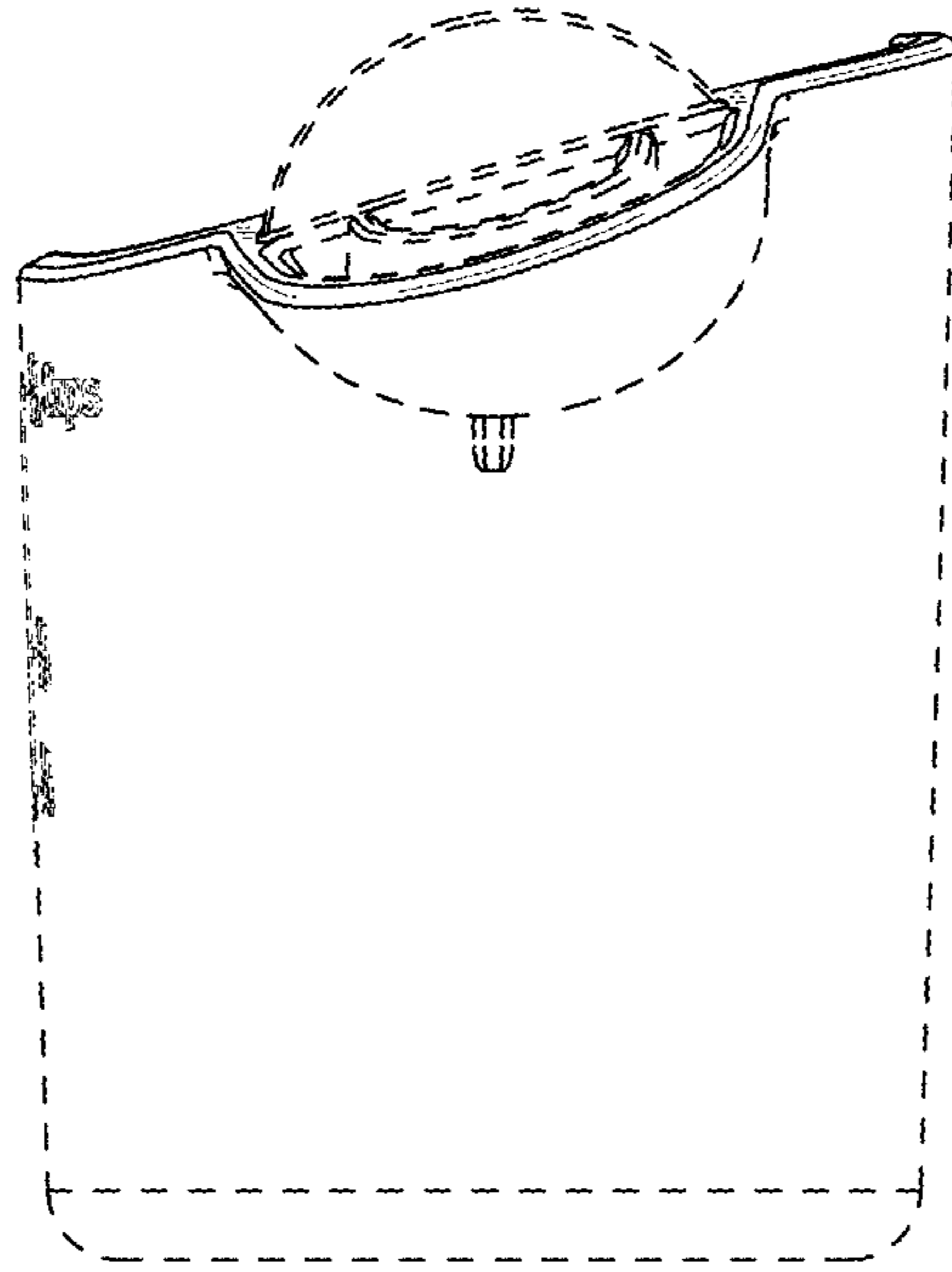


FIG. 5

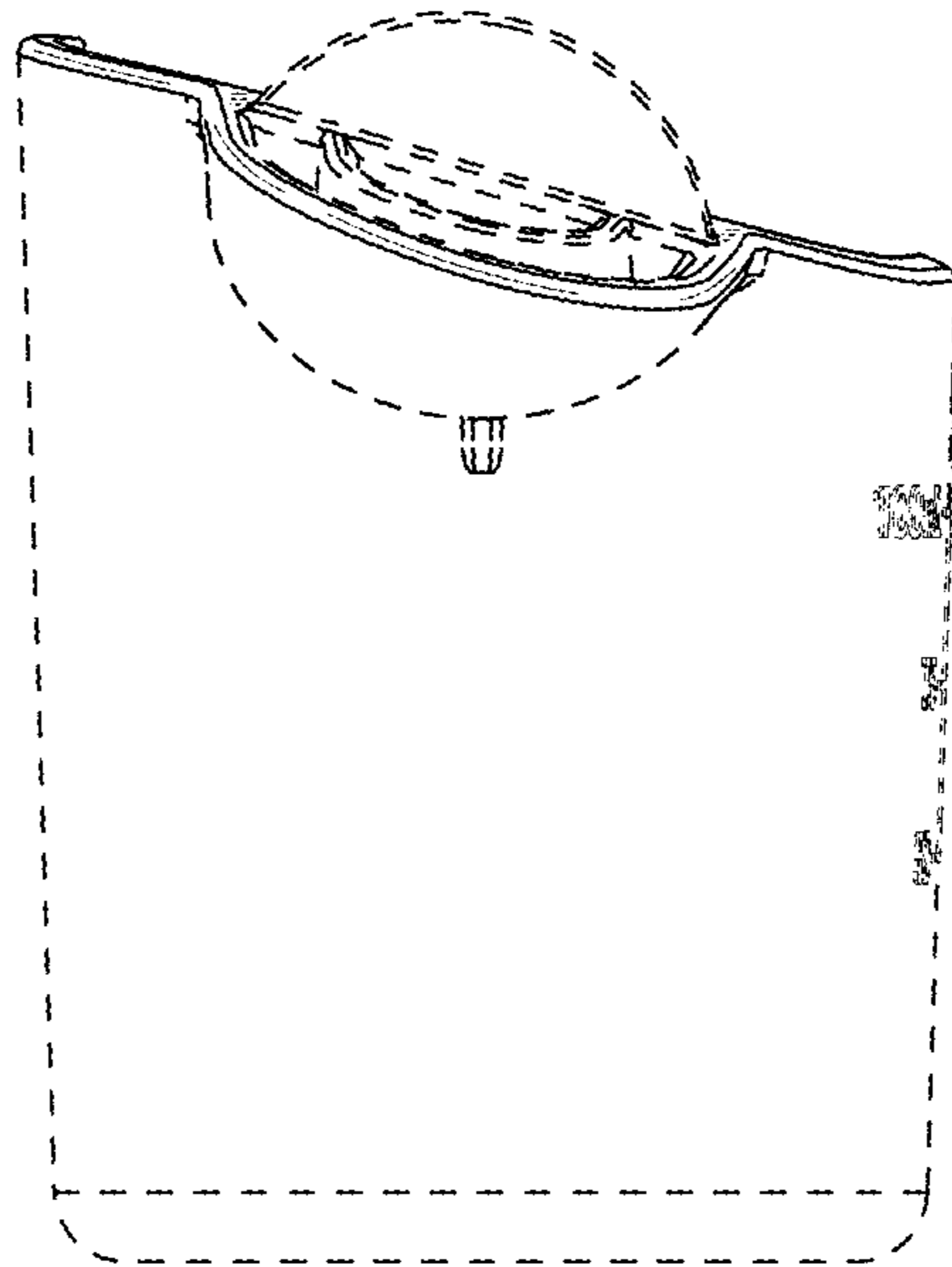


FIG. 6

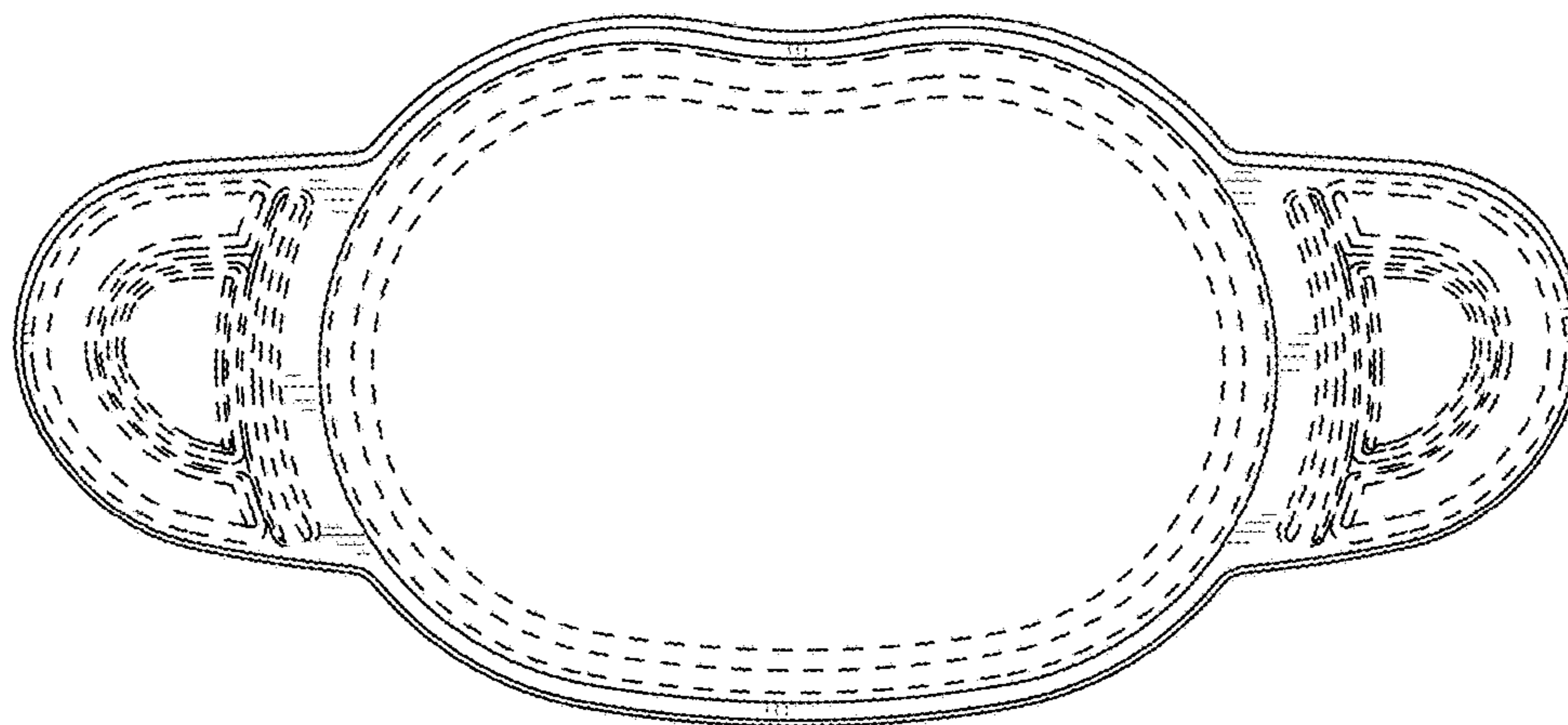


FIG. 7

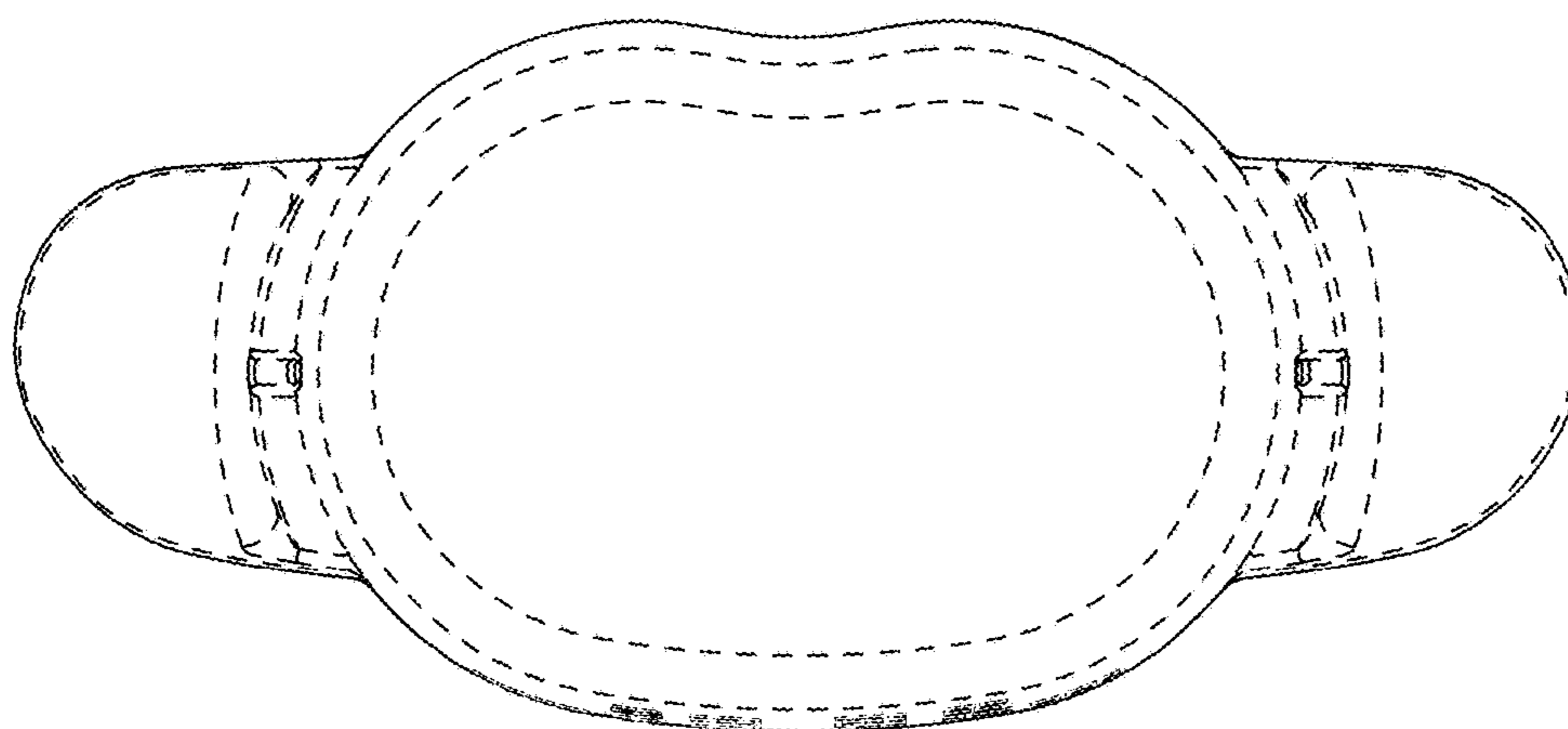


FIG. 8