



US00D775969S

(12) **United States Design Patent** (10) **Patent No.:** **US D775,969 S**
Wong (45) **Date of Patent:** **** Jan. 10, 2017**

(54) **WATCH**

(71) Applicant: **ENTROPY ATTITUDE (HONG KONG) LIMITED**, Kwai Chung, NT (HK)

(72) Inventor: **Wing Keung Wong**, Kwai Chung (HK)

(73) Assignee: **ENTROPY ATTITUDE (HONG KONG) LIMITED**, Kwai Chung, NT (HK)

(**) Term: **15 Years**

(21) Appl. No.: **29/538,020**

(22) Filed: **Aug. 31, 2015**

(51) **LOC (10) Cl.** **10-02**

(52) **U.S. Cl.**
USPC **D10/30**

(58) **Field of Classification Search**
 USPC D10/30-39, 1-29, 122-132; 368/10, 368/15-18, 21, 28, 37, 80, 223, 228, 232, 368/276, 277, 281, 282, 285, 294, 295, 368/308, 319
 CPC G04B 17/00; G04B 17/02; G04B 17/005; G04B 17/285; G04B 37/00; G04B 37/0008; G04B 37/0058; G04B 45/00; G04B 45/038; G04B 45/0069; G04B 45/0076; G04B 45/02; G04B 29/00

See application file for complete search history.

(56) **References Cited**

U.S. PATENT DOCUMENTS

D96,208 S *	7/1935	Sunshine	D10/30
D259,186 S *	5/1981	Perrin	D10/32
D295,841 S *	5/1988	Kano	D10/39
D573,041 S *	7/2008	Lulic	D10/39
D646,588 S *	10/2011	Lalo	D10/38
D706,650 S *	6/2014	Emch	D10/39
8,851,743 B1 *	10/2014	Lalo	G04B 3/043 368/315
D732,983 S *	6/2015	Nussbaumer	D10/37
D732,984 S *	6/2015	Nussbaumer	D10/38
D744,867 S *	12/2015	Goodman	D10/30

* cited by examiner

Primary Examiner — Susan Bennett Hattan

Assistant Examiner — Jennifer Wright

(74) *Attorney, Agent, or Firm* — Maier & Maier, PLLC

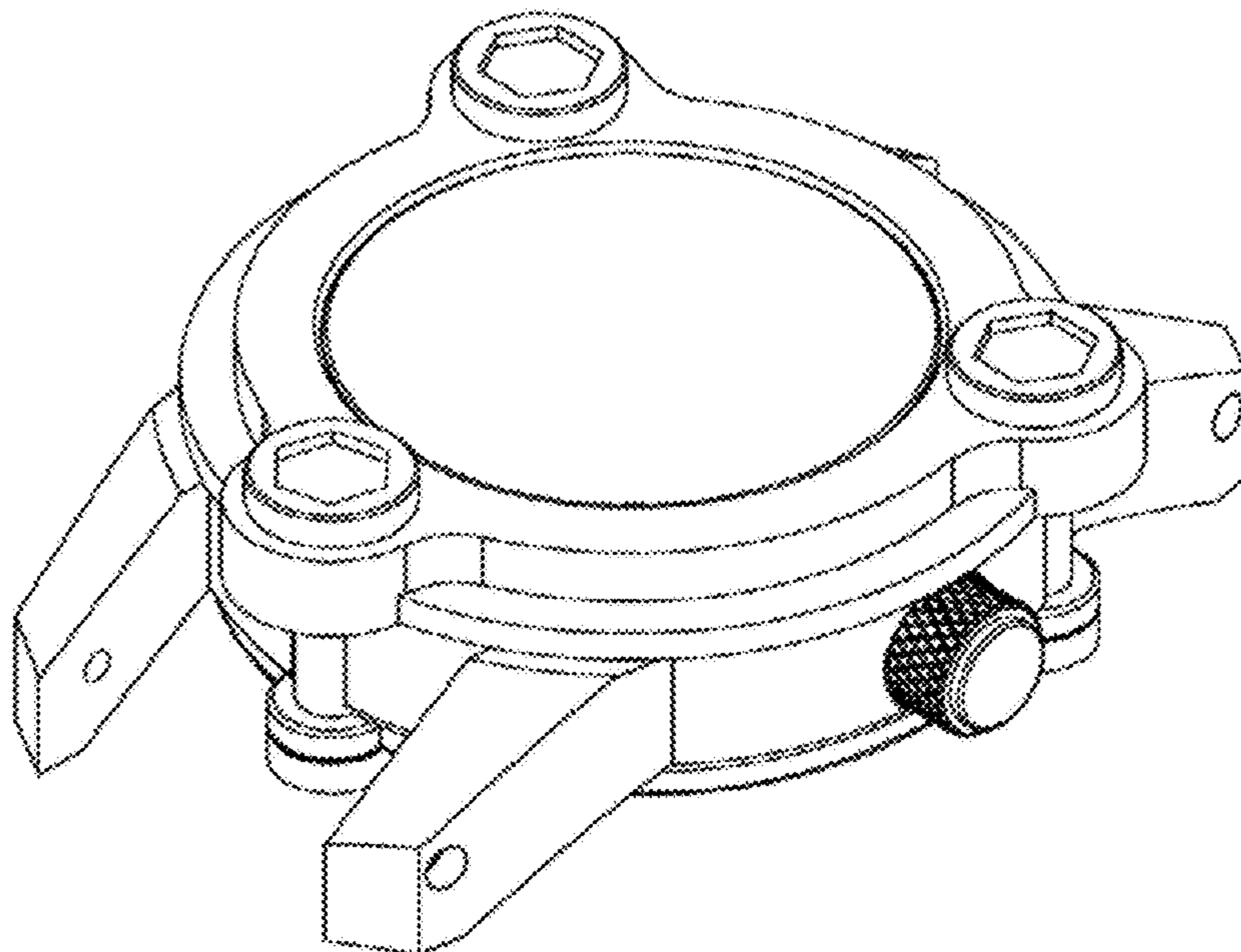
(57) **CLAIM**

The ornamental design for a watch, as shown and described.

DESCRIPTION

FIG. 1 is a top perspective view of a watch;
 FIG. 2 is a bottom perspective view thereof;
 FIG. 3 is a front elevation view thereof;
 FIG. 4 is a rear elevation view thereof;
 FIG. 5 is a left side elevation view thereof;
 FIG. 6 is a right side elevation view thereof;
 FIG. 7 is a top plan view thereof; and,
 FIG. 8 is a bottom plan view thereof.

1 Claim, 4 Drawing Sheets



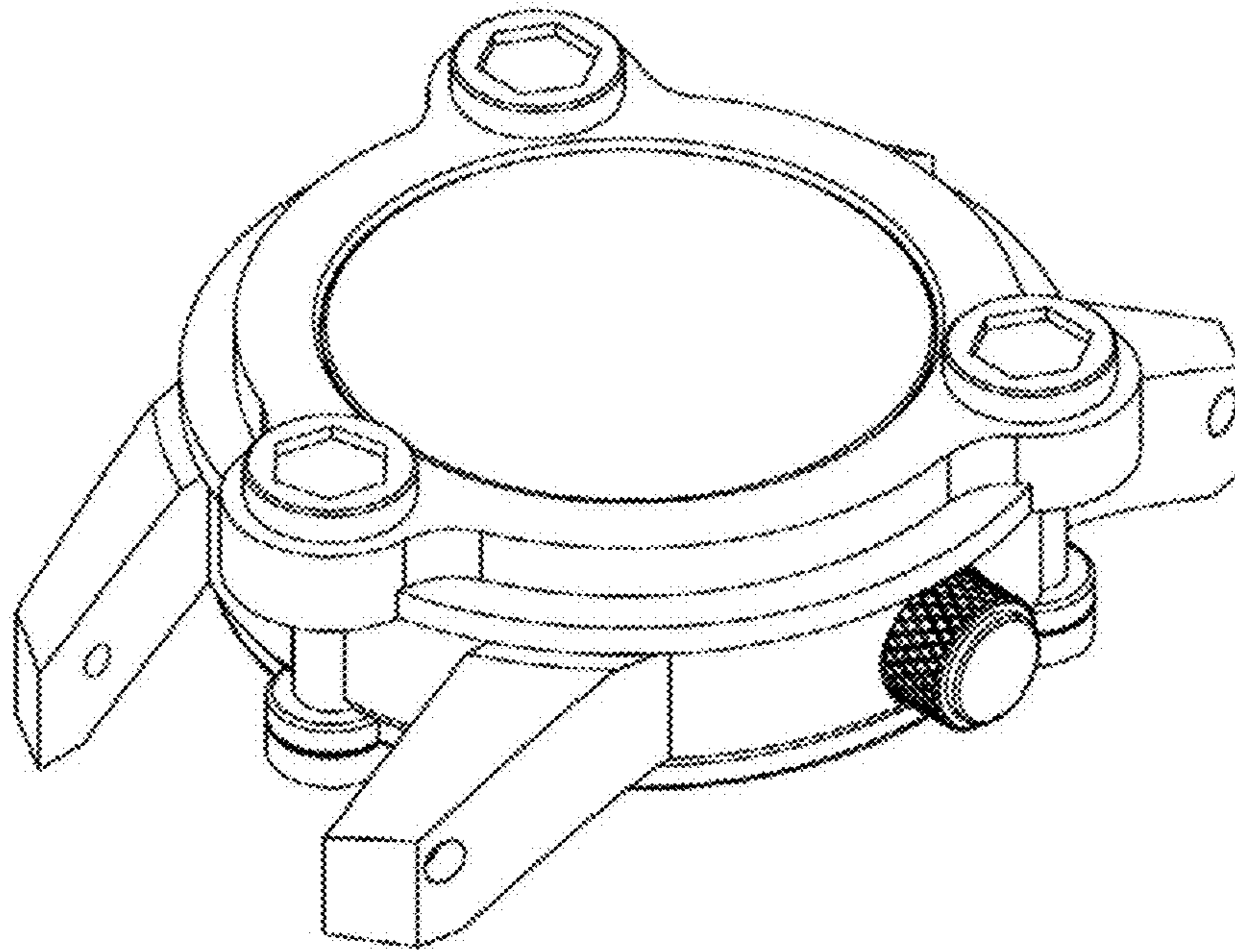


Fig. 1

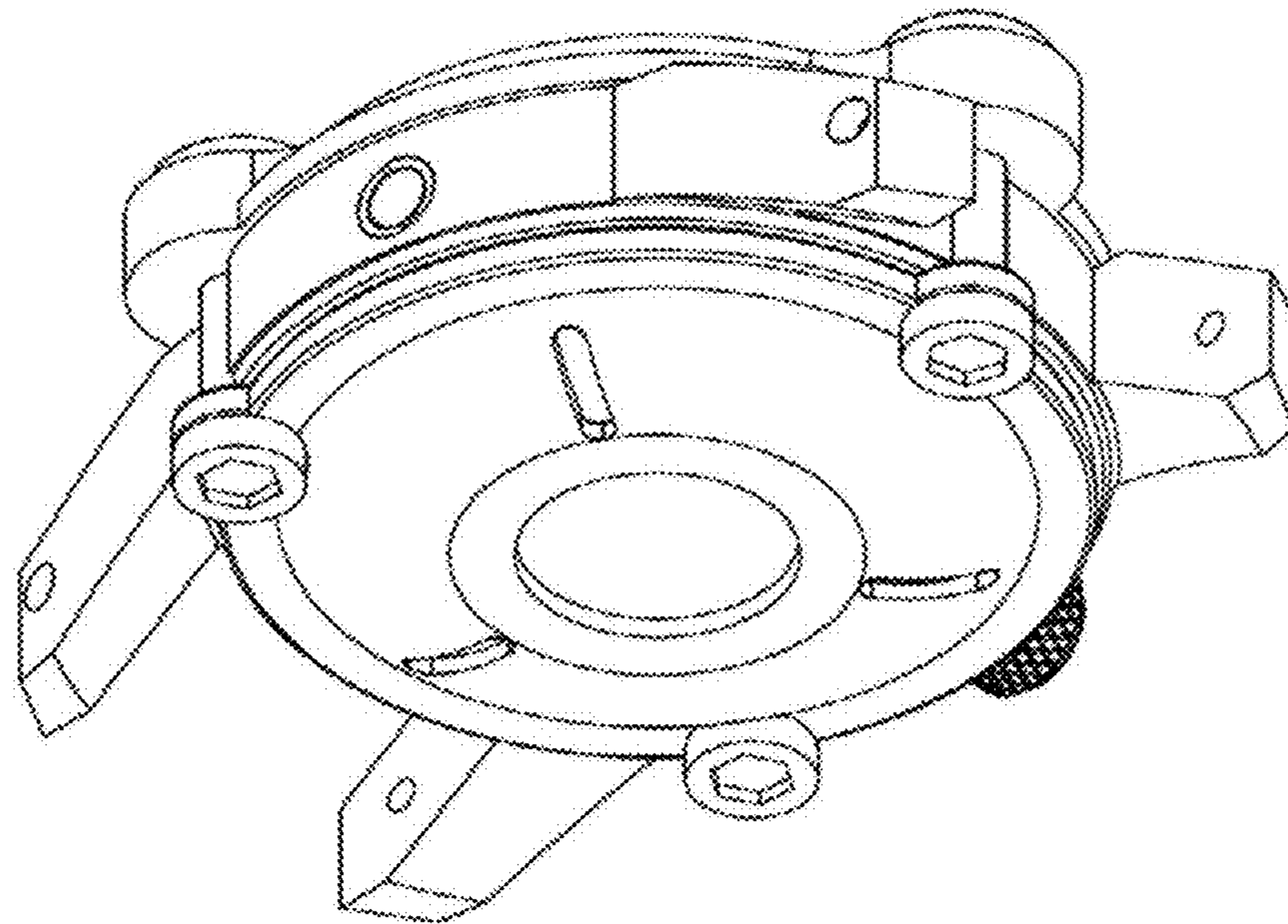


Fig. 2

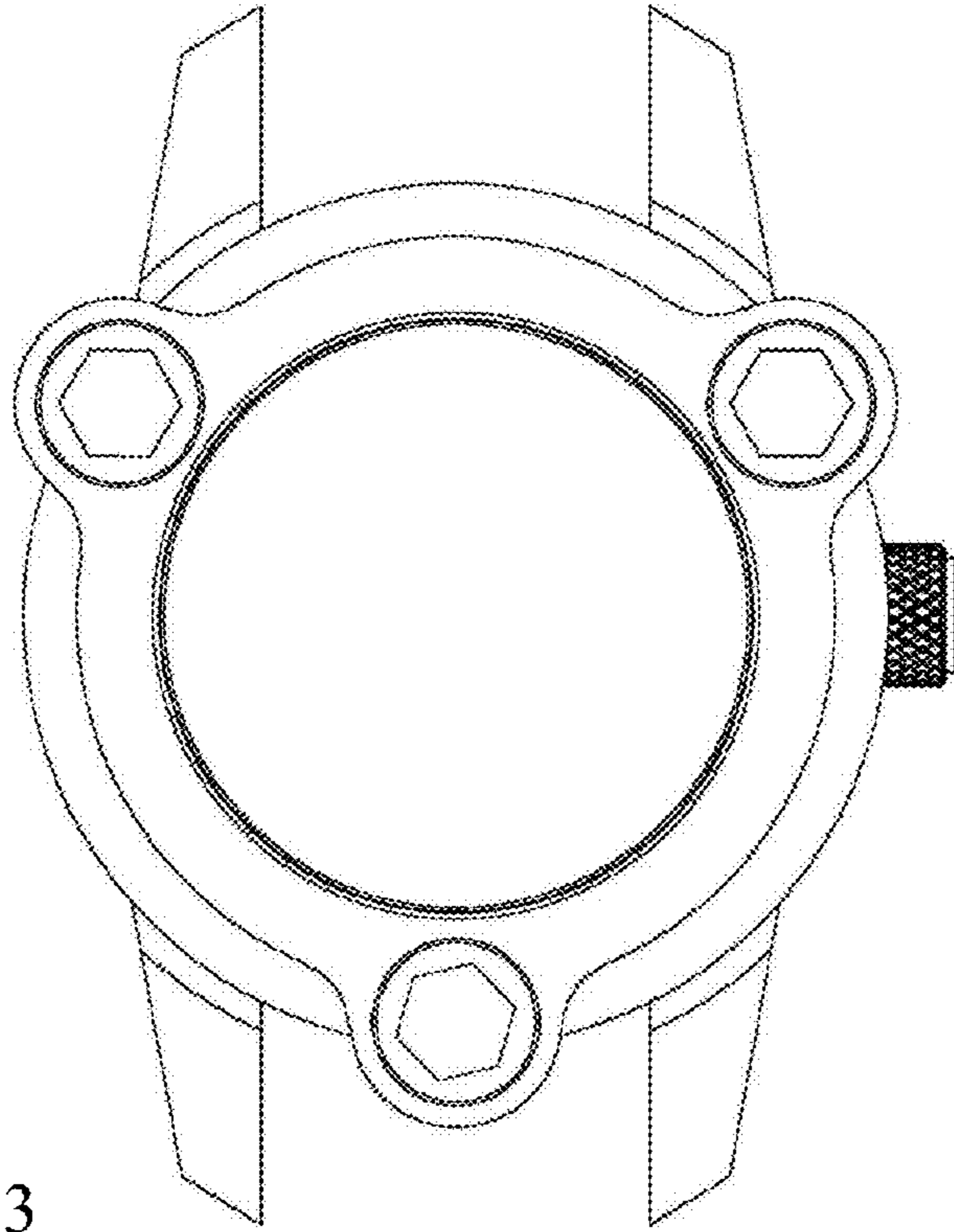


Fig. 3

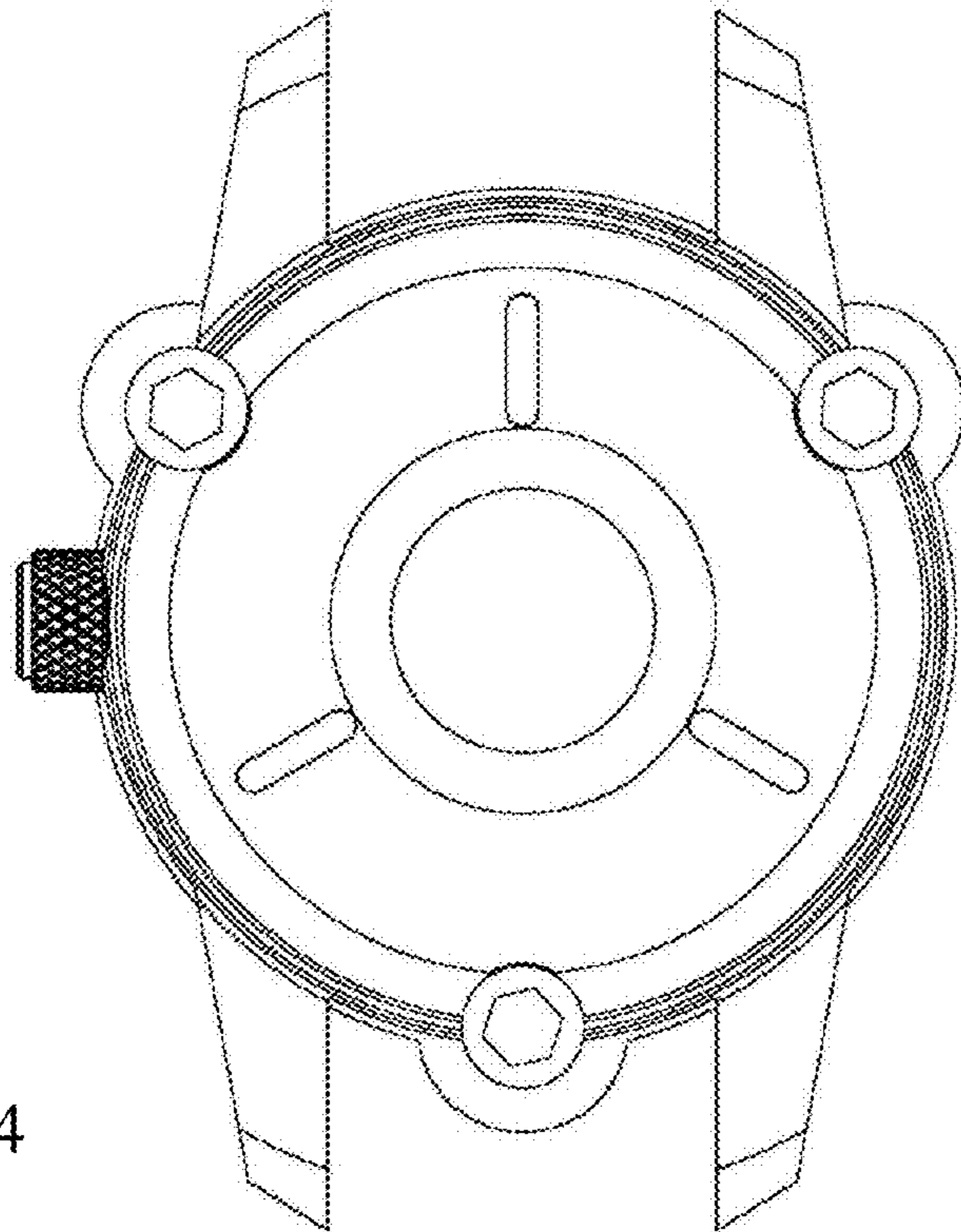


Fig. 4

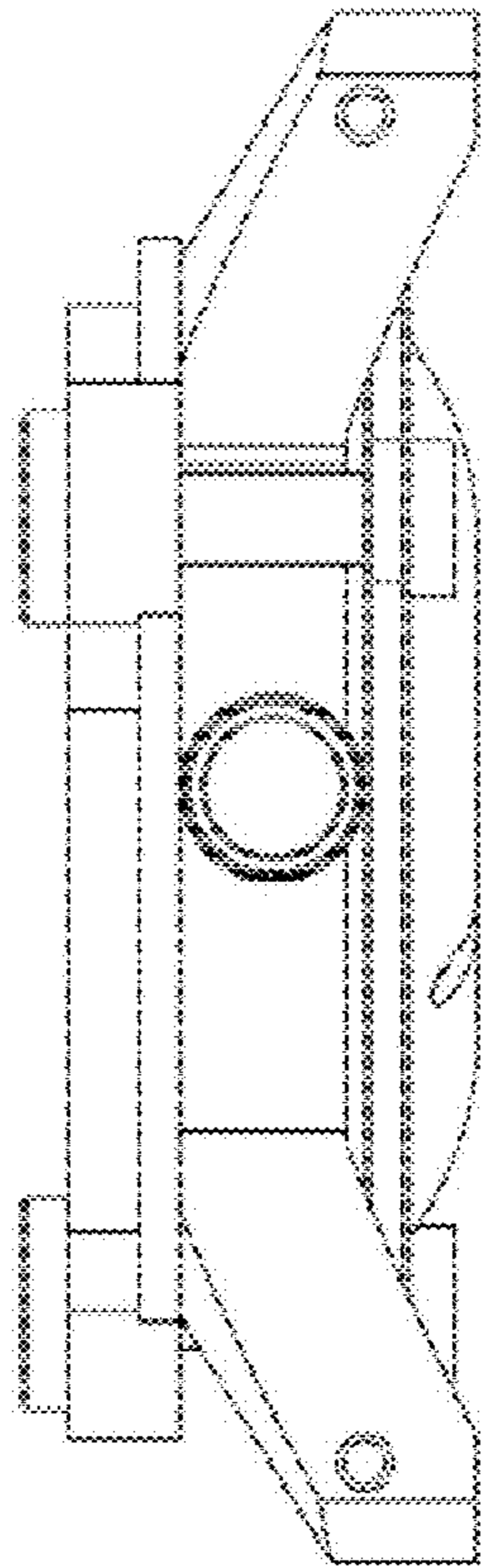


Fig. 5

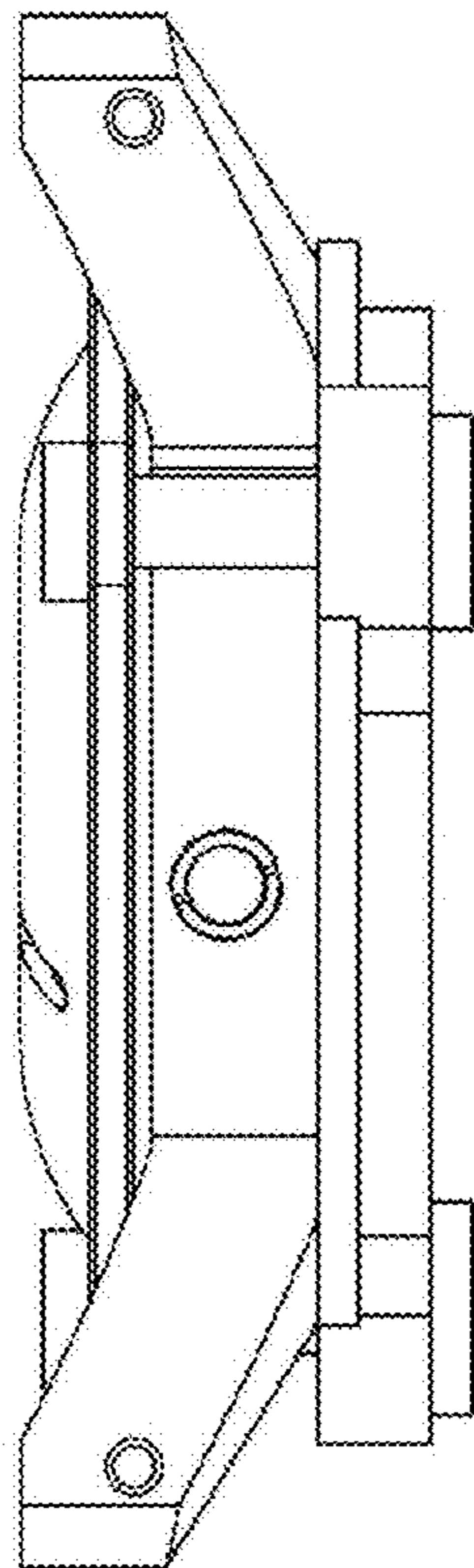


Fig. 6

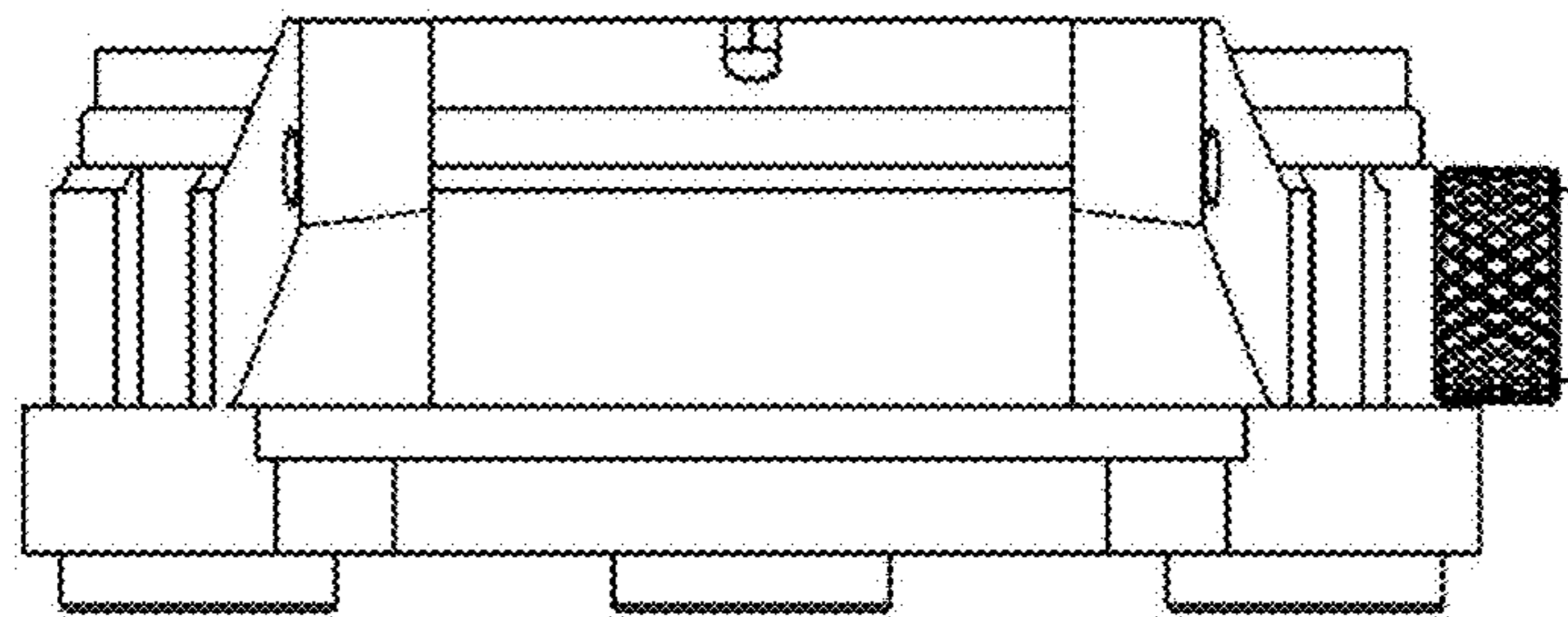


Fig. 7

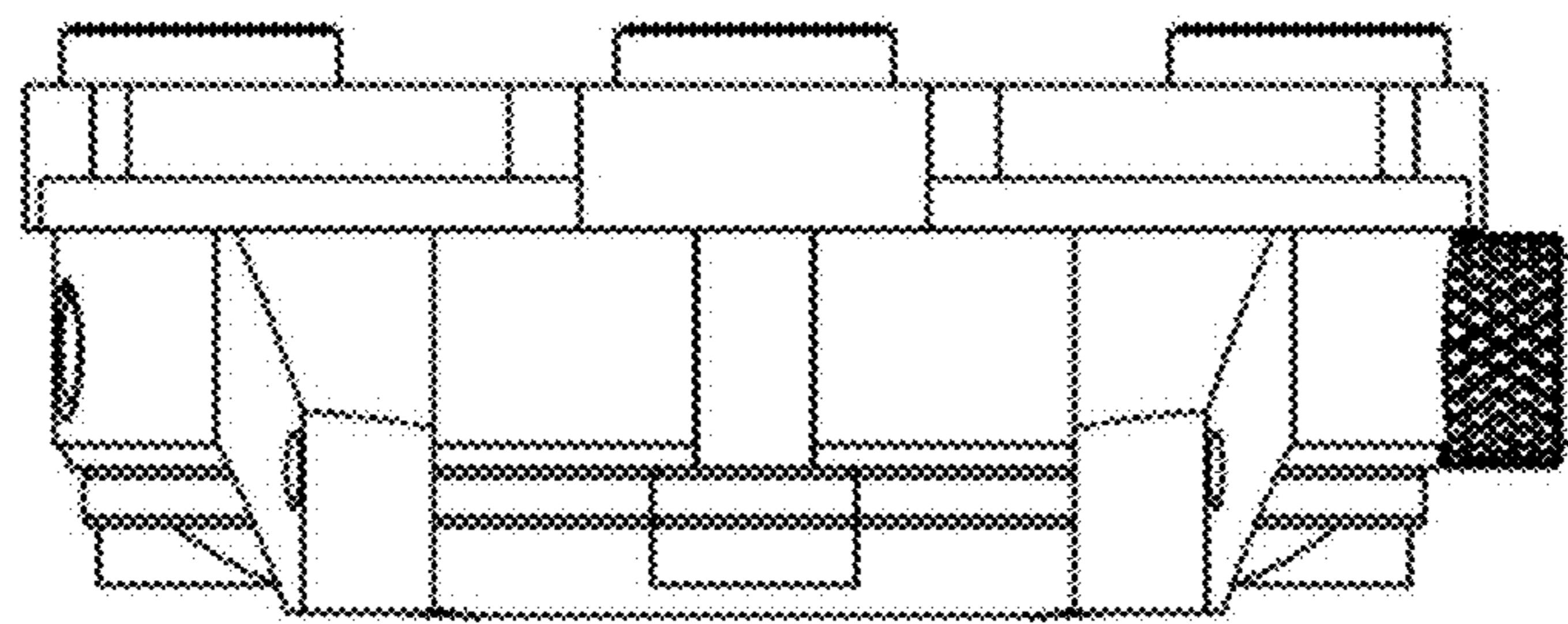


Fig. 8