



US00D775964S

(12) **United States Design Patent** (10) **Patent No.:** **US D775,964 S**  
**Mochizuki et al.** (45) **Date of Patent:** **\*\* Jan. 10, 2017**

(54) **PACKING BOX**

(71) Applicant: **HISAMITSU PHARMACEUTICAL CO., INC.**, Tosu-shi, Saga (JP)  
(72) Inventors: **Sayaka Mochizuki**, Tokyo (JP); **Shigeo Kusumi**, Tokyo (JP)  
(73) Assignee: **HISAMITSU PHARMACEUTICAL CO., INC.**, Tosu-Shi, Saga (JP)

(\*\*) Term: **15 Years**  
(21) Appl. No.: **29/530,495**  
(22) Filed: **Jun. 17, 2015**

(30) **Foreign Application Priority Data**

Apr. 22, 2015 (JP) ..... 2015-009105  
Apr. 22, 2015 (JP) ..... 2015-009106

(51) **LOC (10) Cl.** ..... **09-01**

(52) **U.S. Cl.**  
USPC ..... **D9/600; D9/432**

(58) **Field of Classification Search**  
USPC ..... D9/600, 614, 624–628, 653, 667,  
D9/414–434; 206/457, 459.5, 527;  
215/381–384, 400; 220/288

(Continued)

(56) **References Cited**

**U.S. PATENT DOCUMENTS**

D587,111 S 2/2009 Seol et al.  
D589,359 S 3/2009 Kusumi  
(Continued)

**FOREIGN PATENT DOCUMENTS**

EM 002601302-0001 12/2014  
EM 002601302-0002 12/2014  
(Continued)

**OTHER PUBLICATIONS**

Salonpas® Pain Relief Products—Salonpas® Pain Patches and Sprays, “Salonpas® Pain Relief Patch,” “Salonpas® Arthritis Pain Patch,” “Salonpas® Jet Spray,” “Salonpas® Gel Patch Hot,” “Salonpas® Deep Relieving Gel,” retrieved from <http://www.salonpas.us/pain-relief-products/> on Jan. 27, 2015.

(Continued)

*Primary Examiner* — Sandra Morris

(74) *Attorney, Agent, or Firm* — Leydig, Voit & Mayer

(57) **CLAIM**

The ornamental design for a packing box, as shown and described.

**DESCRIPTION**

The patent or application file contains at least one drawing executed in color. Copies of this patent or patent application publication with color drawing(s) will be provided by the Office upon request and payment of the necessary fee.

FIG. 1 is a front view of a packing box of the present invention.

FIG. 2 is a rear view of the packing box of FIG. 1.

FIG. 3 is a top plan view of the packing box of FIG. 1.

FIG. 4 is a bottom view of the packing box of FIG. 1.

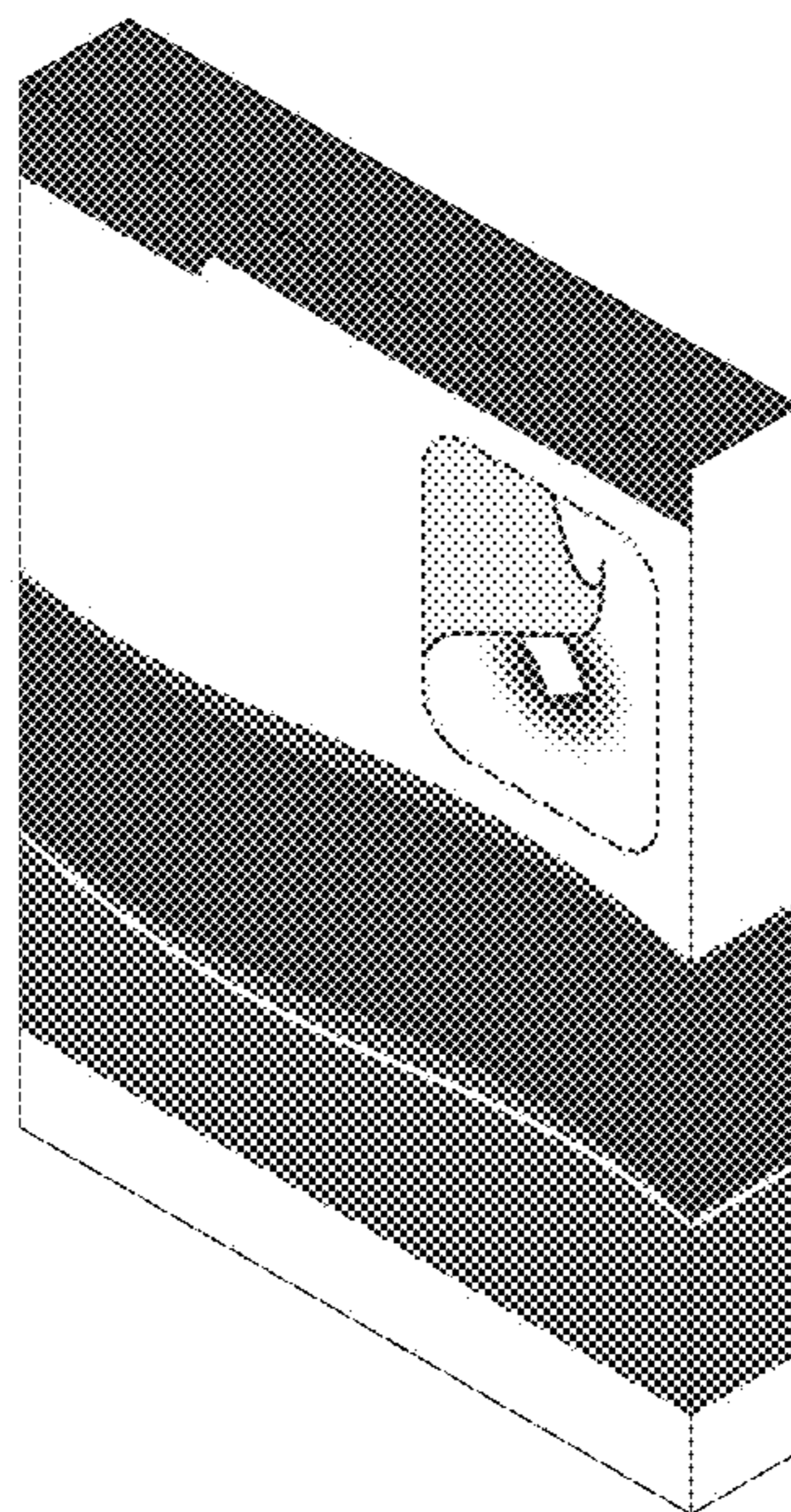
FIG. 5 is a right side view of the packing box of FIG. 1.

FIG. 6 is a left side view of the packing box of FIG. 1.

FIG. 7 is a front perspective view of the packing box of FIG. 1; and,

FIG. 8 is a rear perspective view of the packing box of FIG. 1.

**1 Claim, 8 Drawing Sheets**  
**(8 of 8 Drawing Sheet(s) Filed in Color)**



(58) **Field of Classification Search**  
 CPC ..... B65D 5/4258; B65D 81/60; B65D 81/365;  
 B65D 81/366; B65D 81/368; B65D  
 2203/00; B65D 2203/02  
 See application file for complete search history.

(56) **References Cited**

U.S. PATENT DOCUMENTS

D590,250 S *	4/2009	Seol .....	D9/432
D590,253 S *	4/2009	Seol .....	D9/432
D591,163 S	4/2009	Kusumi	
D603,701 S	11/2009	Seol et al.	
D621,700 S	8/2010	Kusumi et al.	
D621,701 S	8/2010	Kusumi et al.	
D628,063 S	11/2010	Kusumi et al.	
D634,623 S	3/2011	Kusumi et al.	
D650,273 S *	12/2011	Tekulve .....	D9/432
D651,916 S *	1/2012	Mochizuki .....	D9/624
D652,317 S *	1/2012	Mochizuki .....	D9/624
D655,155 S *	3/2012	Tekulve .....	D9/432
D655,156 S *	3/2012	Schrimpf .....	D9/432
D655,191 S	3/2012	Mochizuki et al.	
D655,192 S	3/2012	Mochizuki et al.	
D665,257 S	8/2012	Slayton et al.	
D692,771 S *	11/2013	Sakai .....	D9/432
D696,590 S *	12/2013	Larson .....	D9/432
D696,960 S *	1/2014	Larson .....	D9/432
D702,119 S	4/2014	Sakai et al.	
D718,125 S	11/2014	Chiang	

FOREIGN PATENT DOCUMENTS

IN	1644349 S	1/2008
JP	1102157 S	2/2001
JP	1349489 S	1/2009
JP	1349755 S	1/2009
JP	5393932	3/2011
JP	5393933	3/2011
JP	1418327 S	7/2011
JP	1418328 S	7/2011
JP	1418581 S	7/2011

JP	1418582 S	7/2011
JP	1418583 S	7/2011
JP	5416627	7/2011
JP	5416628	7/2011
JP	1421028 S	8/2011
JP	1421029 S	8/2011
JP	1421196 S	8/2011
JP	1421197 S	8/2011
JP	1421198 S	8/2011
JP	1421199 S	8/2011
JP	1421200 S	8/2011
JP	1421201 S	8/2011
JP	1421202 S	8/2011
JP	2012-43690	6/2012
JP	2012-43693	6/2012
JP	1444165 S	6/2012
JP	1444166 S	6/2012
JP	1444167 S	6/2012
JP	1444418 S	6/2012
JP	1445913 S	7/2012
JP	5499668	7/2012
JP	5499669	7/2012
JP	5505897	8/2012
JP	1487924 S	1/2014
JP	5643436	2/2014
JP	5643437	2/2014
JP	5643439	2/2014
JP	2015-7759	2/2015
JP	2015-7761	2/2015
JP	2015-7763	2/2015
TW	D565184	12/2003
TW	D101757	12/2004
TW	D112544	8/2006
TW	D143520 S1	11/2011
TW	D152443 S1	3/2013

OTHER PUBLICATIONS

Salonpas® Pain Relief Patch, “Salonpas Massage Foam” retrieved from <http://www.salonpas.us/?s=massarge+foam> on Jan. 28, 2015. United States Patent and Trademark Office, Notice of Allowance in U.S. Appl. No. 29/530,484, mailed Sep. 19, 2016.

\* cited by examiner



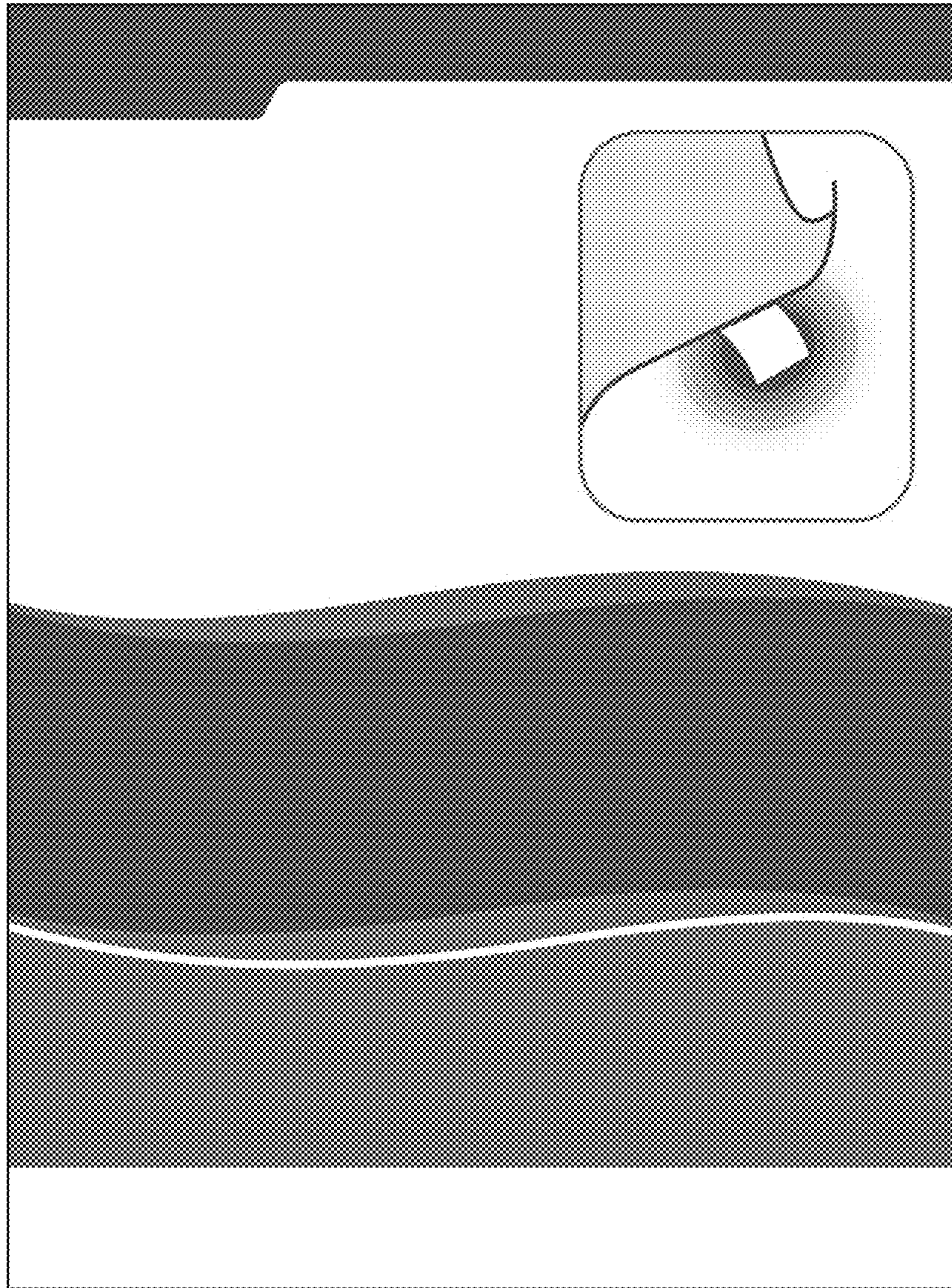


FIG. 1

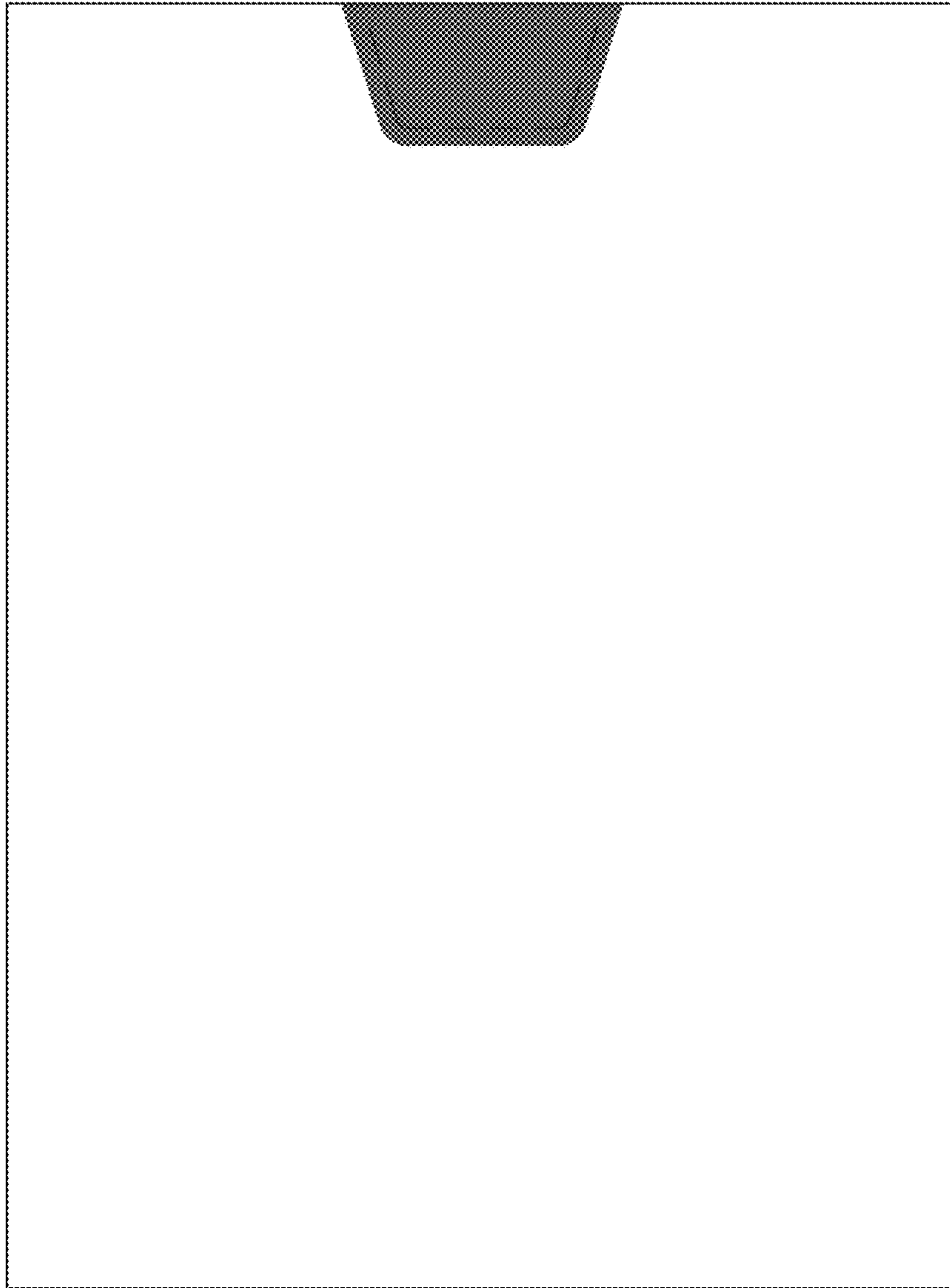


FIG. 2

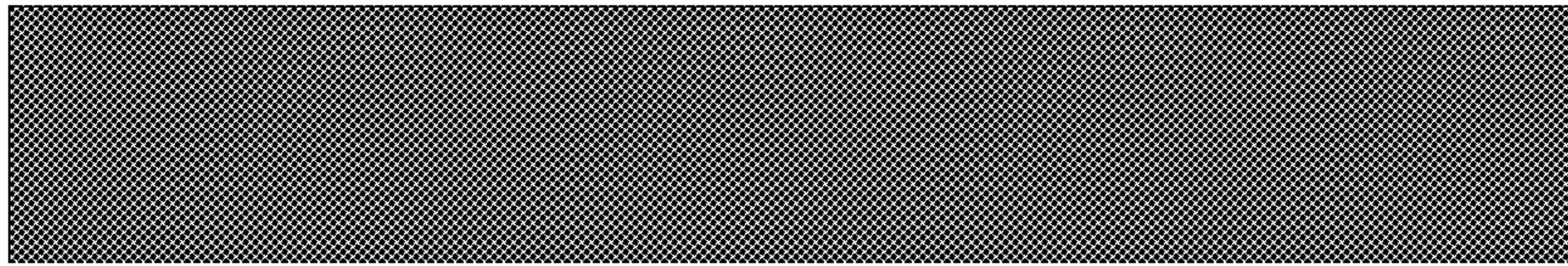


FIG.3

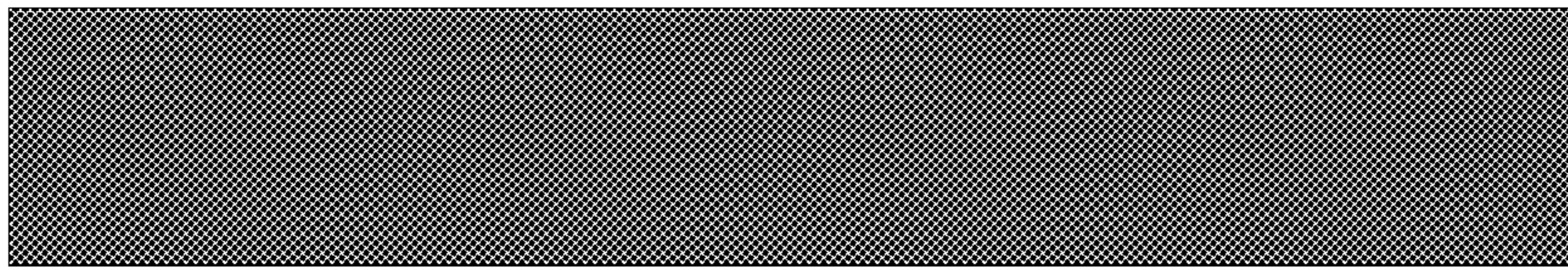


FIG.4



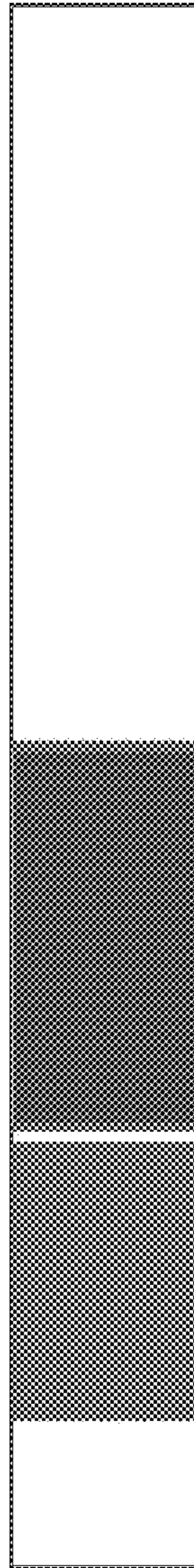


FIG.5

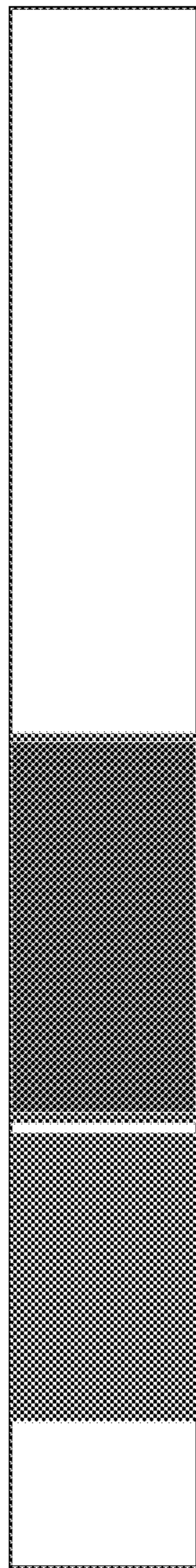


FIG.6



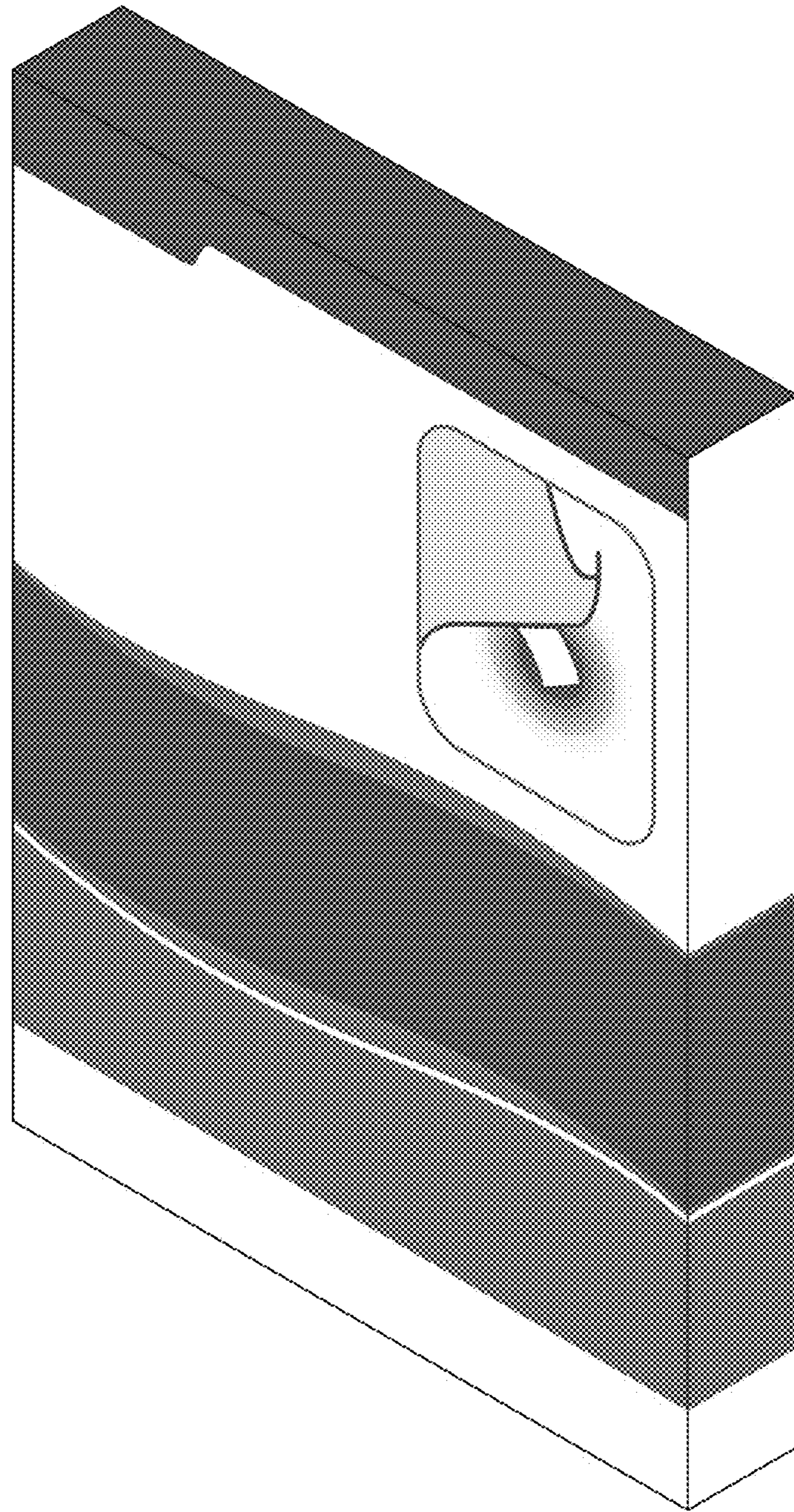


FIG.7

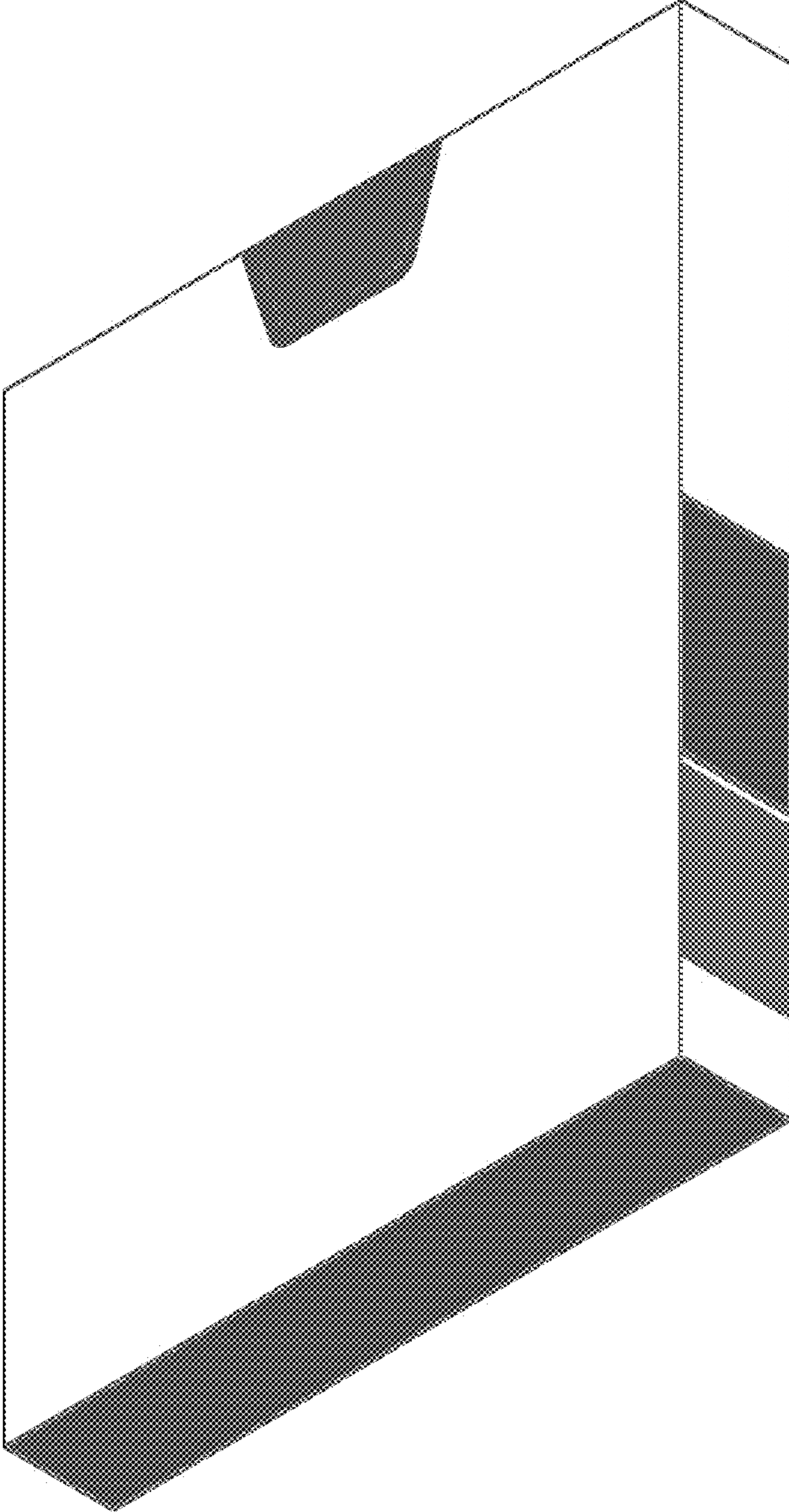


FIG.8