



US00D775961S

(12) **United States Design Patent**
Blachford et al.

(10) **Patent No.:** **US D775,961 S**

(45) **Date of Patent:** **** Jan. 10, 2017**

(54) **BOTTLE**

(71) Applicant: **Reckitt Benckiser (Brands) Limited**,
Slough (GB)

(72) Inventors: **Marcus James Blachford**, Warwick
(GB); **Peter Kay**, Warwick (GB)

(73) Assignee: **RECKITT BENCKISER (BRANDS)**
LIMITED, Slough (GB)

(**) Term: **15 Years**

(21) Appl. No.: **29/537,748**

(22) Filed: **Aug. 28, 2015**

(30) **Foreign Application Priority Data**

Mar. 6, 2015 (EM) 002647685-0001

(51) **LOC (10) Cl.** **09-01**

(52) **U.S. Cl.**
USPC **D9/523**; D9/522; D9/575

(58) **Field of Classification Search**
USPC D9/516, 520, 522, 523, 530, 544, 545,
D9/548, 549, 572, 575, 682, 694, 715,
D9/719, 779, 781; D3/202; D7/300, 598,
D7/619.1

CPC .. B65D 1/14; B65D 1/0223; B65D 2501/0081
See application file for complete search history.

(56) **References Cited**

U.S. PATENT DOCUMENTS

D101,590 S * 10/1936 Patterson D19/93
D102,401 S * 12/1936 Shulman D9/522
D103,287 S * 2/1937 Reynolds D9/522
D240,391 S * 7/1976 Koenigsberg D9/523
D273,563 S * 4/1984 Jeans D9/414
4,881,648 A * 11/1989 Hagerty B65D 1/0223
206/540
D415,687 S * 10/1999 Lai D9/522

D508,407 S * 8/2005 Busch D9/522
D536,981 S * 2/2007 Toth D9/522
D555,481 S * 11/2007 Tseng D9/523
D562,687 S * 2/2008 Kaufman D9/522
D564,884 S * 3/2008 Rittman D9/452
7,370,773 B2 * 5/2008 Toth B65D 50/04
215/201
D587,121 S * 2/2009 Mongeon D9/521
D597,407 S * 8/2009 Maddy D9/523
D601,035 S * 9/2009 Rangaswamy D9/694
D602,364 S * 10/2009 Mongeon D9/521
D603,265 S * 11/2009 Biesecker D9/522
D606,411 S * 12/2009 Mongeon D9/522
D614,494 S * 4/2010 Palmer D9/516
D628,481 S * 12/2010 Maddy D9/435
D682,110 S * 5/2013 Gonzalez D9/522
D732,962 S * 6/2015 Hawry D9/523

* cited by examiner

Primary Examiner — Ian Simmons

Assistant Examiner — Keith Frank

(74) *Attorney, Agent, or Firm* — Troutman Sanders LLP;
Ryan A. Schneider

(57) **CLAIM**

The ornamental design for a bottle, as shown and described.

DESCRIPTION

FIG. 1 is a perspective view of a bottle of the present invention;

FIG. 2 is a front view of the bottle of FIG. 1;

FIG. 3 is a back view of the bottle of FIG. 1;

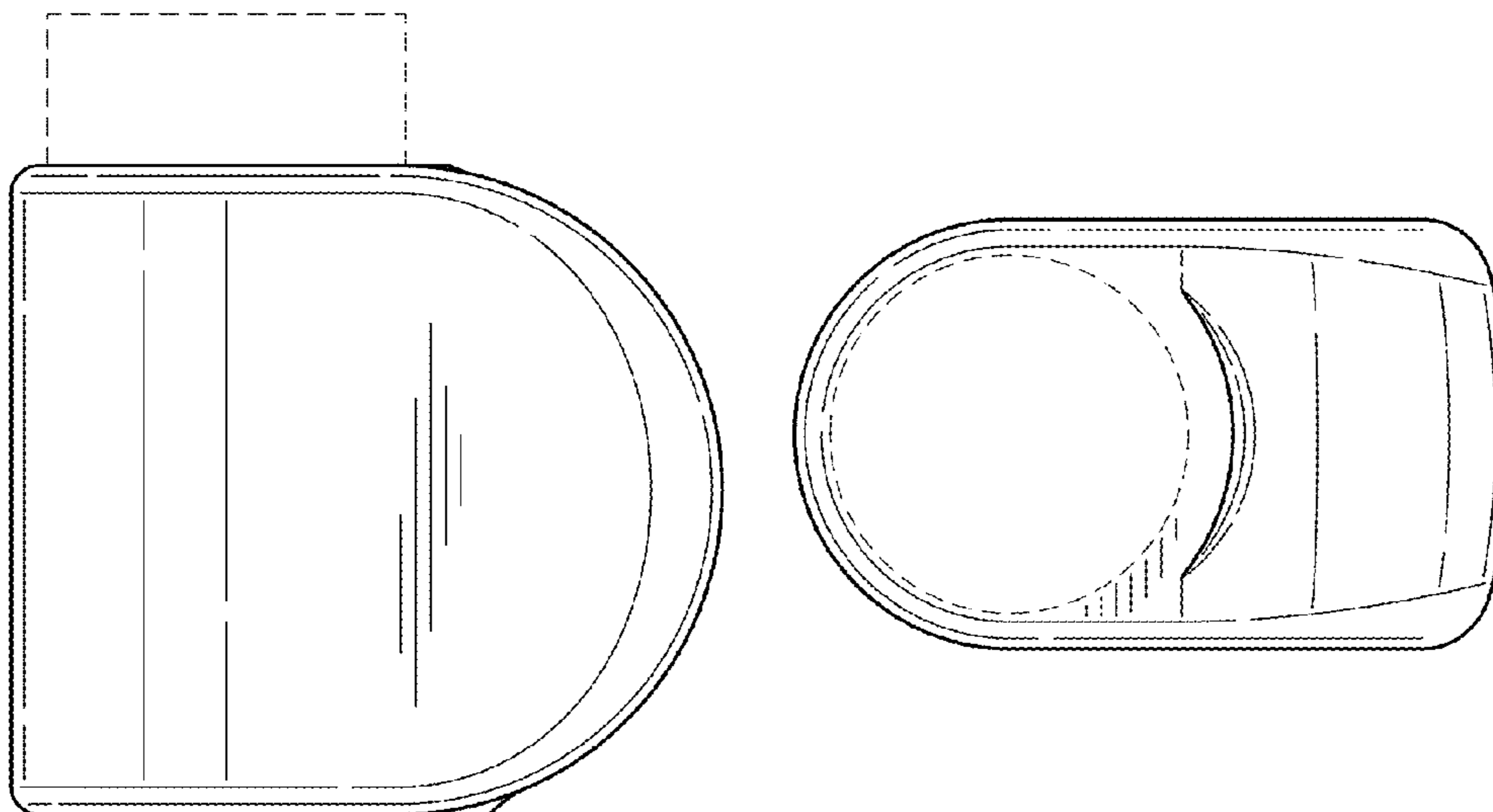
FIG. 4 is a side view of the bottle of FIG. 1;

FIG. 5 is the other side view of the bottle of FIG. 1; and,

FIG. 6 is a top view of the bottle of FIG. 1.

The broken lines are included for the purpose of illustrating a portion of the bottle that forms no part of the claimed design.

1 Claim, 2 Drawing Sheets



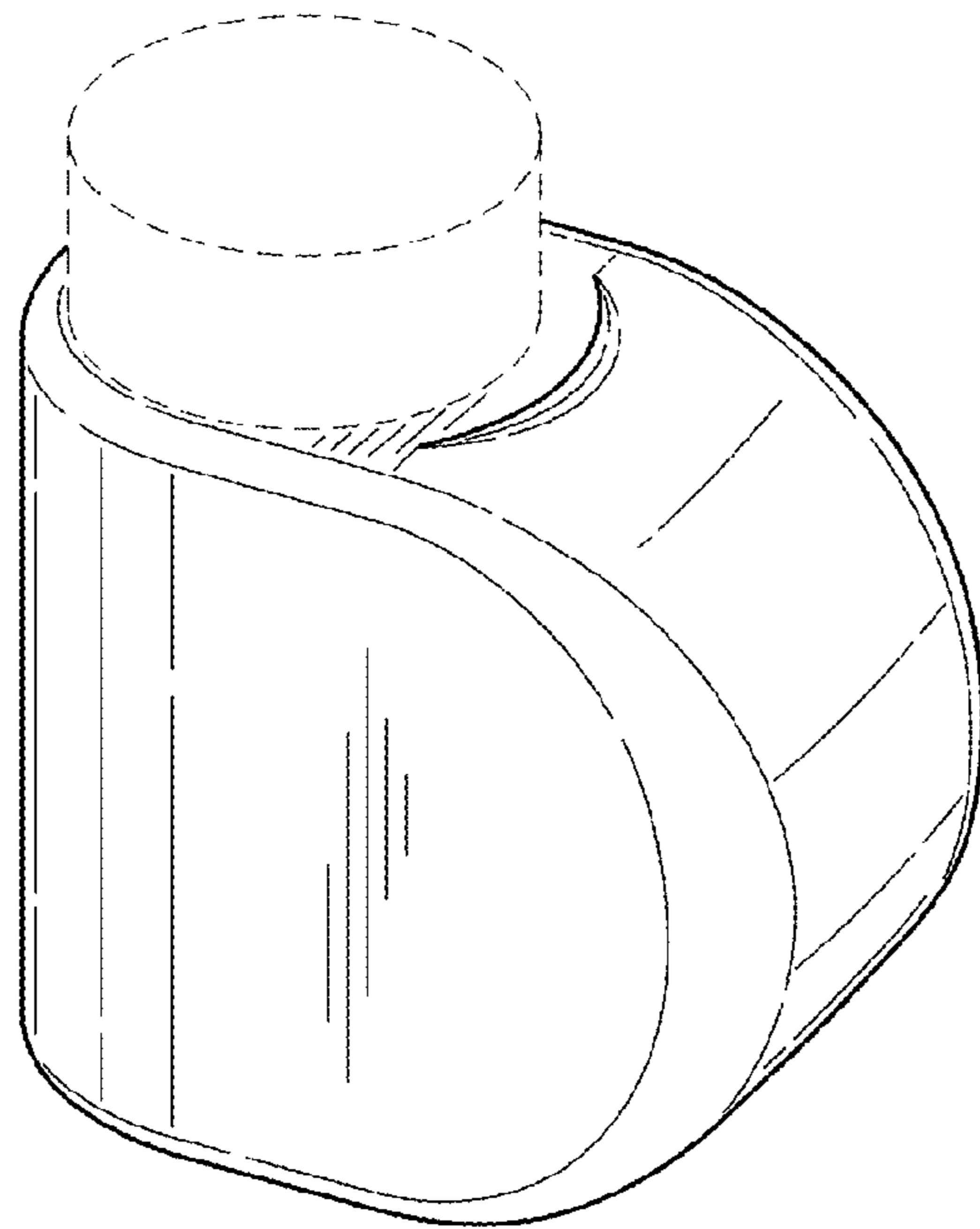


Fig. 1

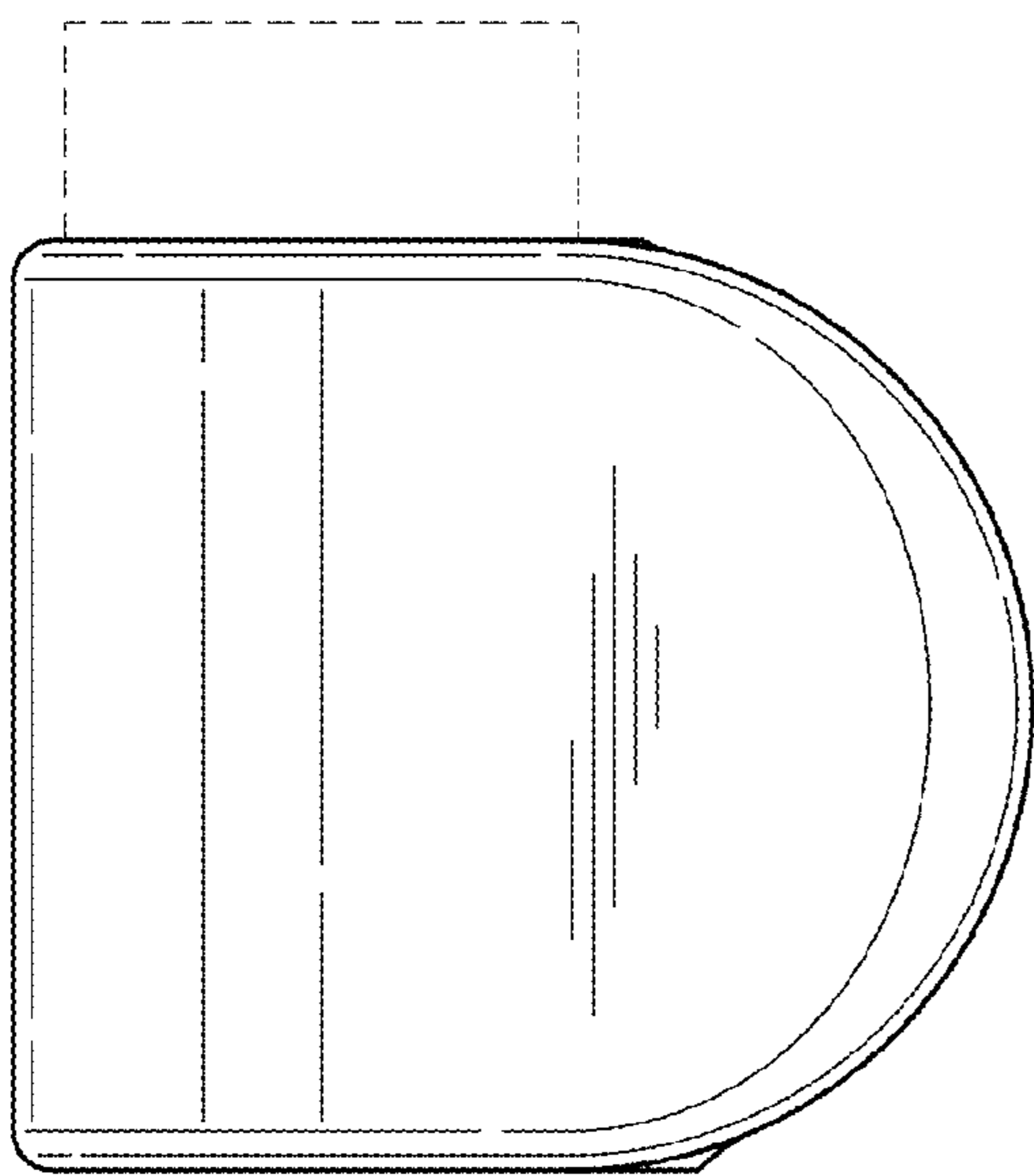


Fig. 2

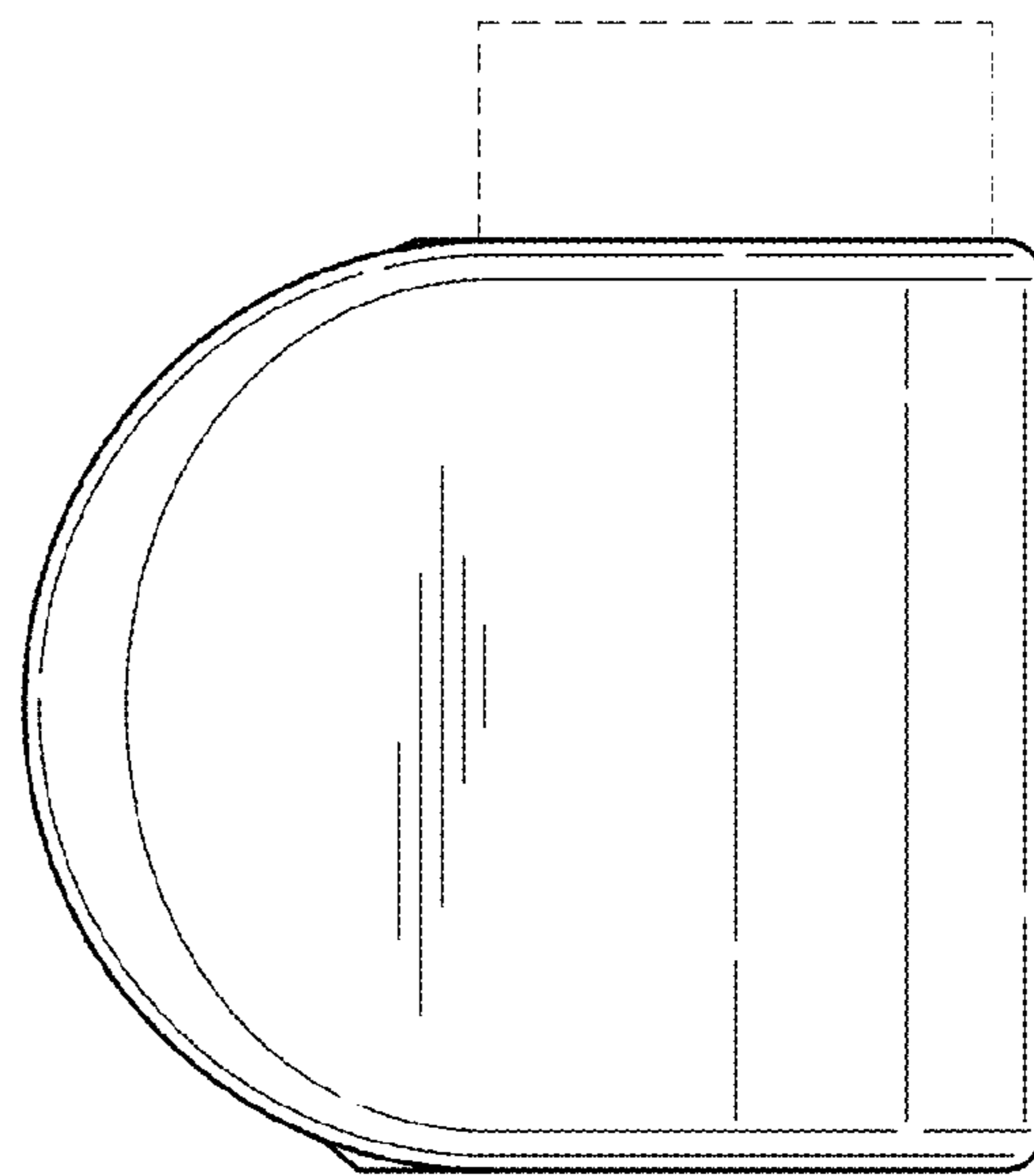


Fig. 3

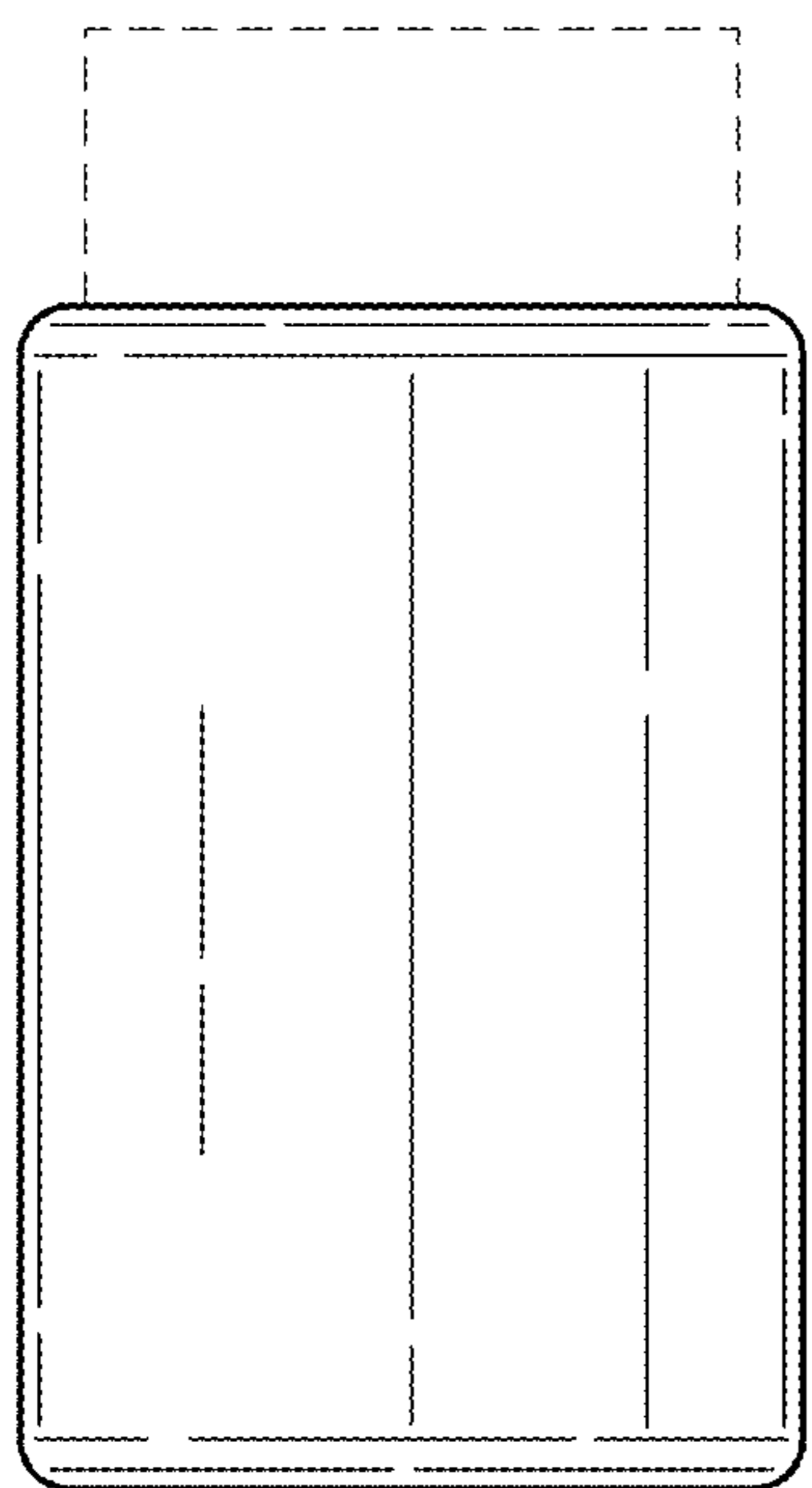


Fig. 4

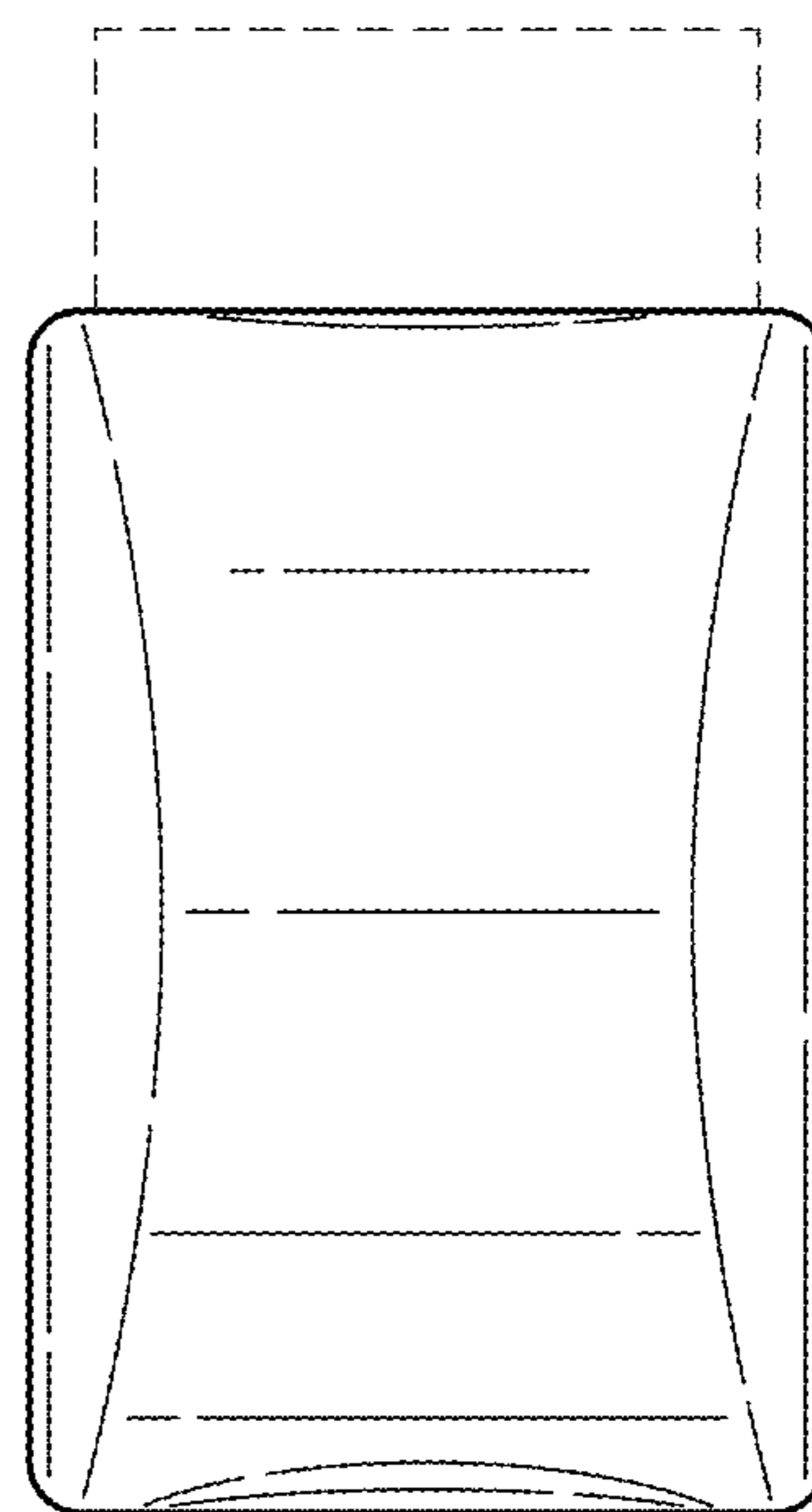


Fig. 5

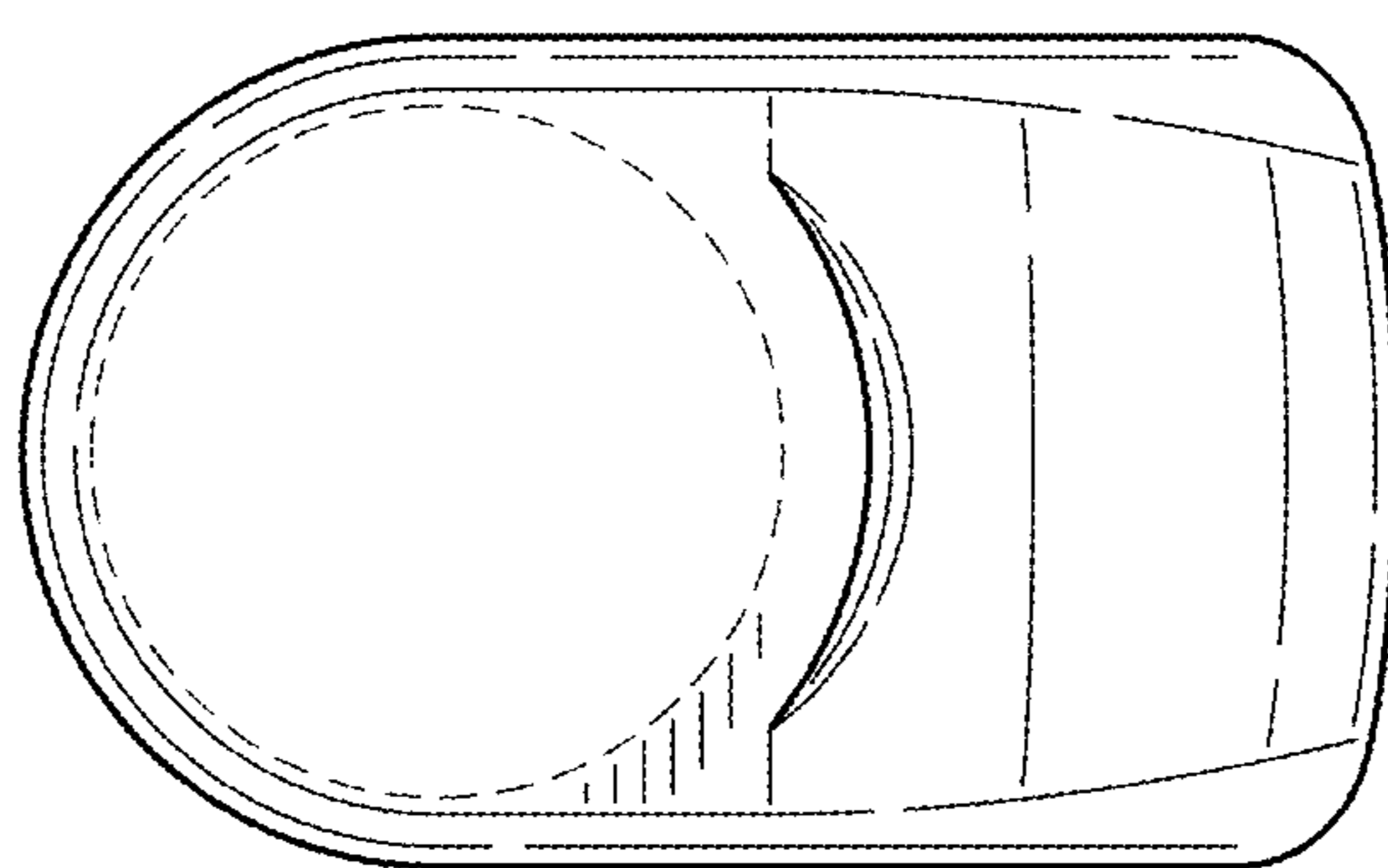


Fig. 6