



US00D775951S

(12) **United States Design Patent** (10) **Patent No.:** **US D775,951 S**
Wang (45) **Date of Patent:** **** Jan. 10, 2017**

(54) **LID OF LIQUID CONTAINER**
(71) Applicant: **Yeo Ming Wang**, Taipei (TW)
(72) Inventor: **Yeo Ming Wang**, Taipei (TW)
(**) Term: **14 Years**
(21) Appl. No.: **29/493,637**
(22) Filed: **Jun. 11, 2014**
(51) **LOC (10) Cl.** **09-07**
(52) **U.S. Cl.**
USPC **D9/451; D7/392.1**
(58) **Field of Classification Search**
USPC D7/391, 392, 392.1, 396.2, 397, 509,
D7/510, 511, 512, 514, 620; D9/435, 436,
D9/440, 441, 442, 447, 451, 503, 504,
D9/516, 527, 552, 643, 666, 761;
215/212, 224, 329, 386, 387, 388, 392,
215/396; 220/254.8, 700, 703, 705, 710.5,
220/711, 715
CPC A47G 19/2272
See application file for complete search history.

(56) **References Cited**
U.S. PATENT DOCUMENTS
D280,294 S * 8/1985 Resnick D9/441
D360,134 S * 7/1995 Snyder D9/438
D436,862 S * 1/2001 Witt D9/438
D474,967 S * 5/2003 Kaneko D9/438
D505,831 S * 6/2005 Liu D7/510

D555,477 S * 11/2007 Mayers D9/445
D609,964 S * 2/2010 Lane D7/392.1
D661,945 S * 6/2012 Eyal D7/392.1
D675,060 S 1/2013 Lane
D708,521 S * 7/2014 Buschmann D9/449
D723,873 S * 3/2015 Hojo D7/511
D725,968 S * 4/2015 George D7/511
D736,633 S * 8/2015 Bisbikis D9/449

* cited by examiner

Primary Examiner — Robert M Spear
Assistant Examiner — Kendra L Hamilton
(74) *Attorney, Agent, or Firm* — Muncy, Geissler, Olds & Lowe, P.C.

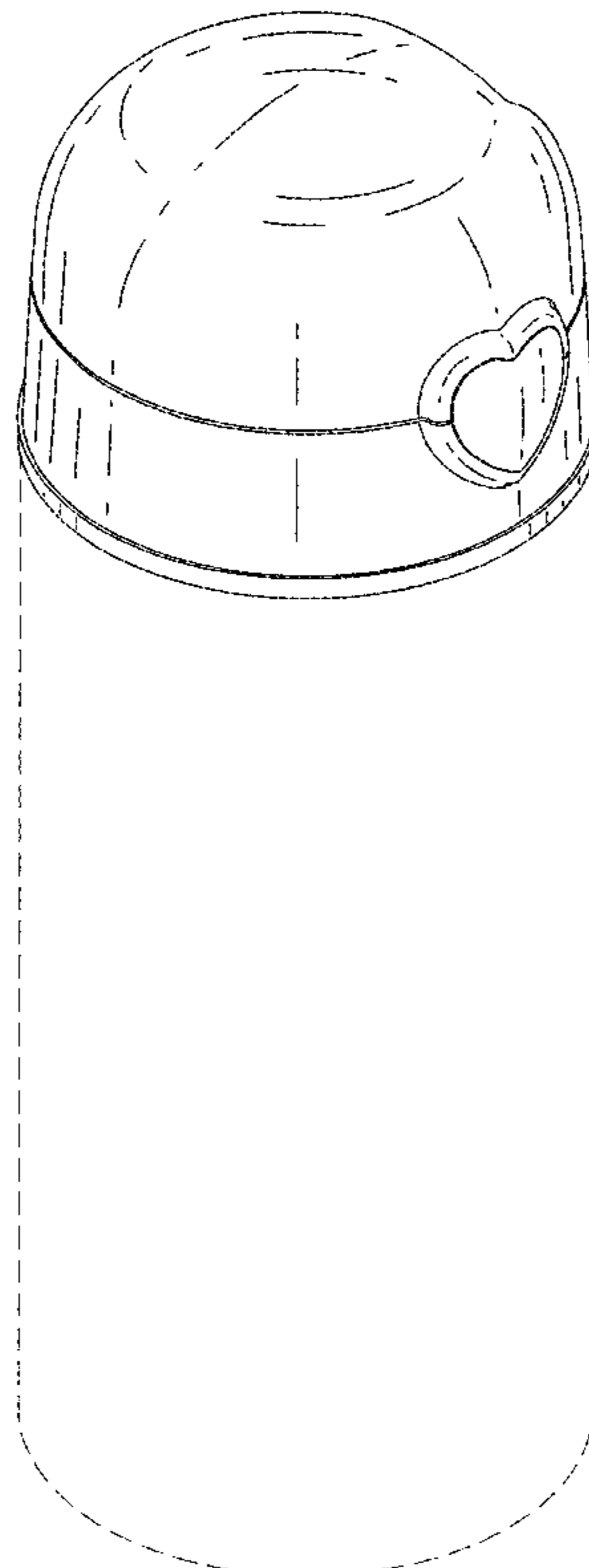
(57) **CLAIM**

The ornamental design for a lid of liquid container, as shown and described.

DESCRIPTION

FIG. 1 is a perspective view of a lid of liquid container showing my new design;
FIG. 2 is a front elevation view thereof;
FIG. 3 is a rear elevation view thereof;
FIG. 4 is a left side elevation view thereof;
FIG. 5 is a right side elevation view thereof;
FIG. 6 is a top plan view thereof; and,
FIG. 7 is a bottom plan view thereof.
The broken lines in the drawings represent unclaimed environmental subject matter and form no part of the claim.

1 Claim, 7 Drawing Sheets



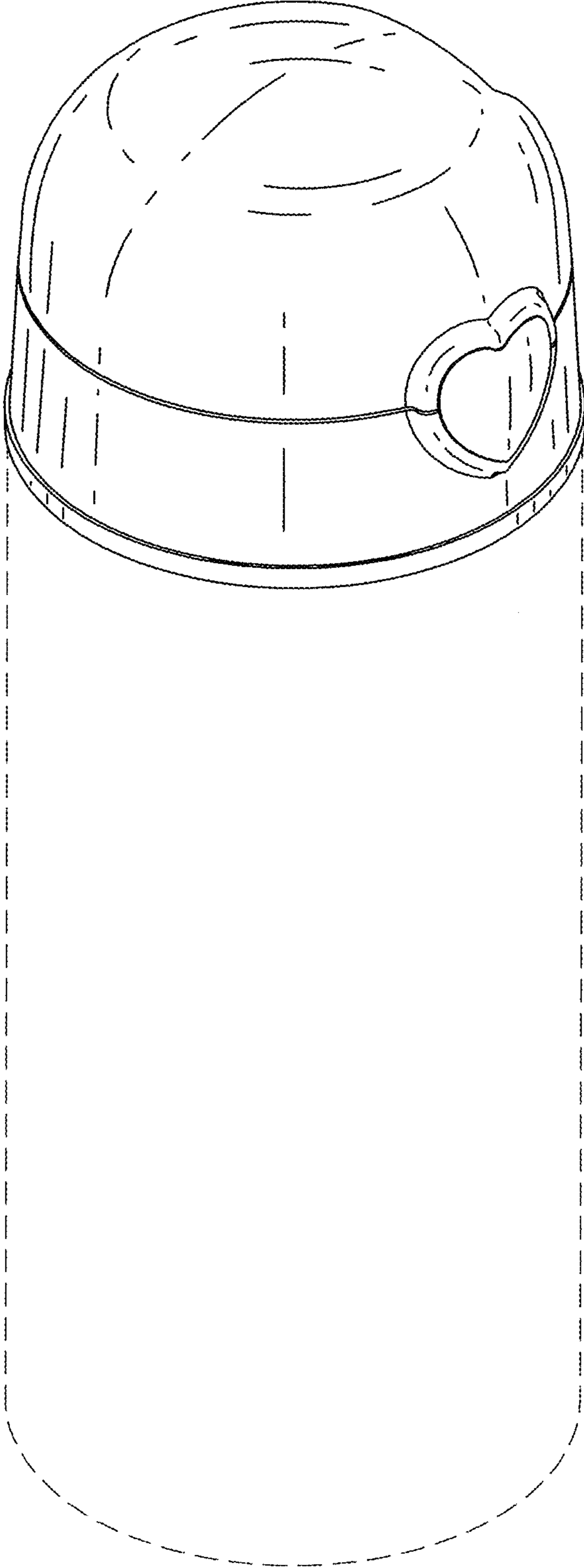


FIG. 1

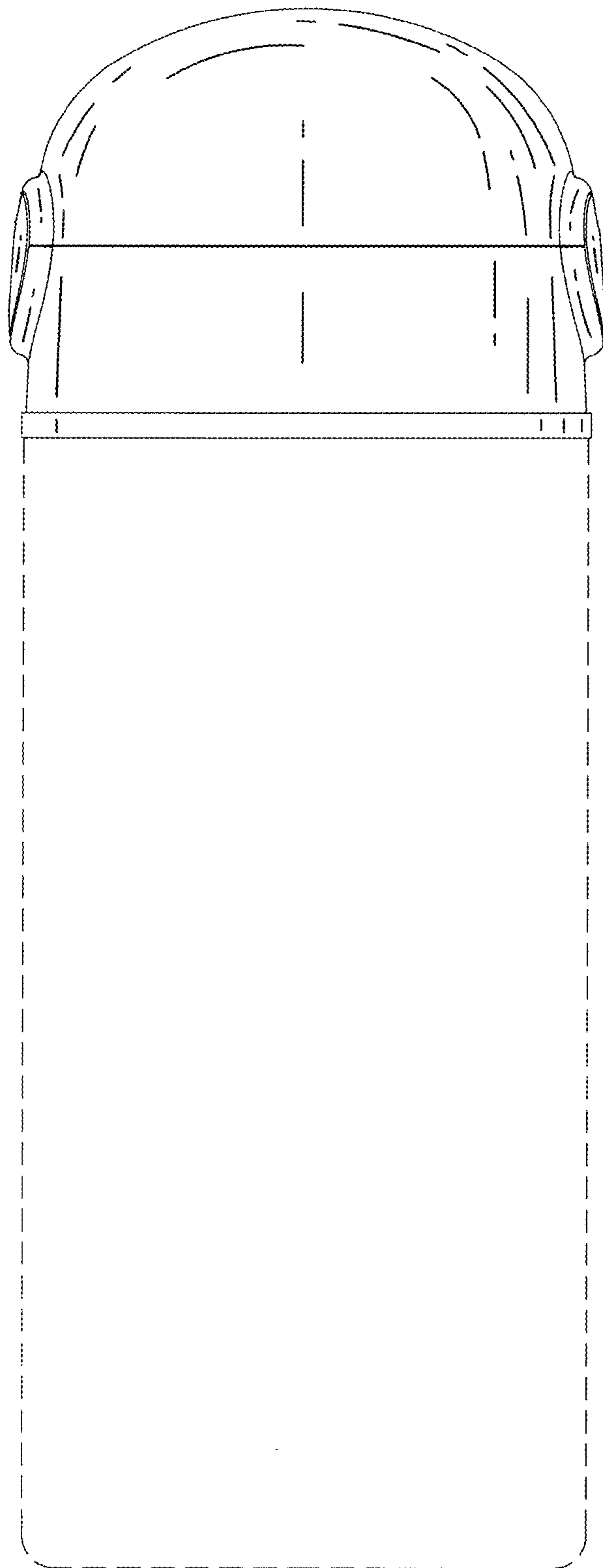


FIG. 2

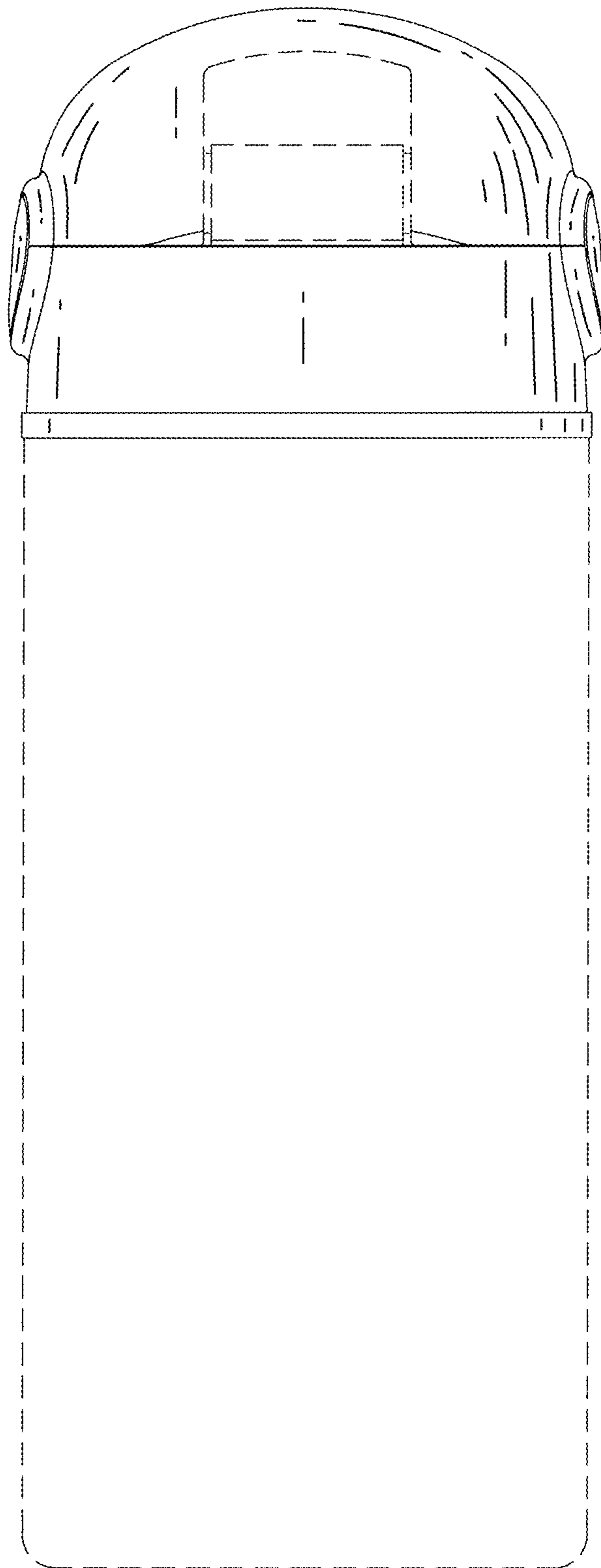


FIG. 3

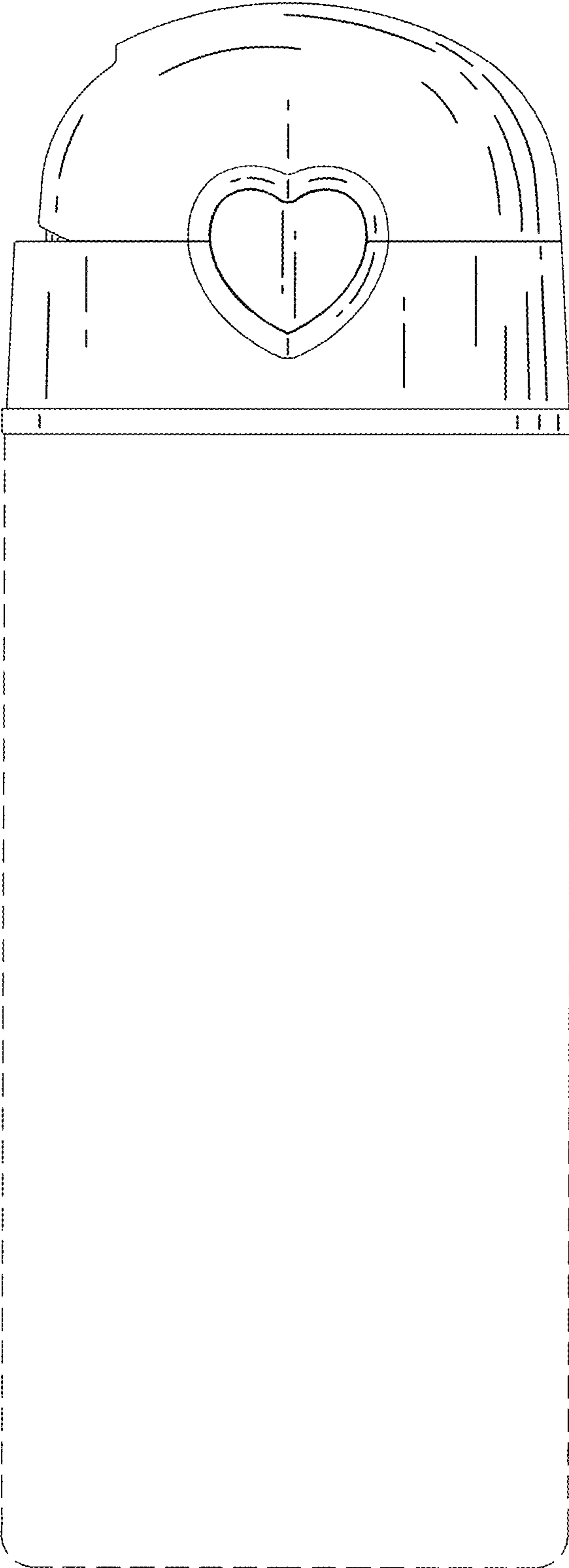


FIG. 4

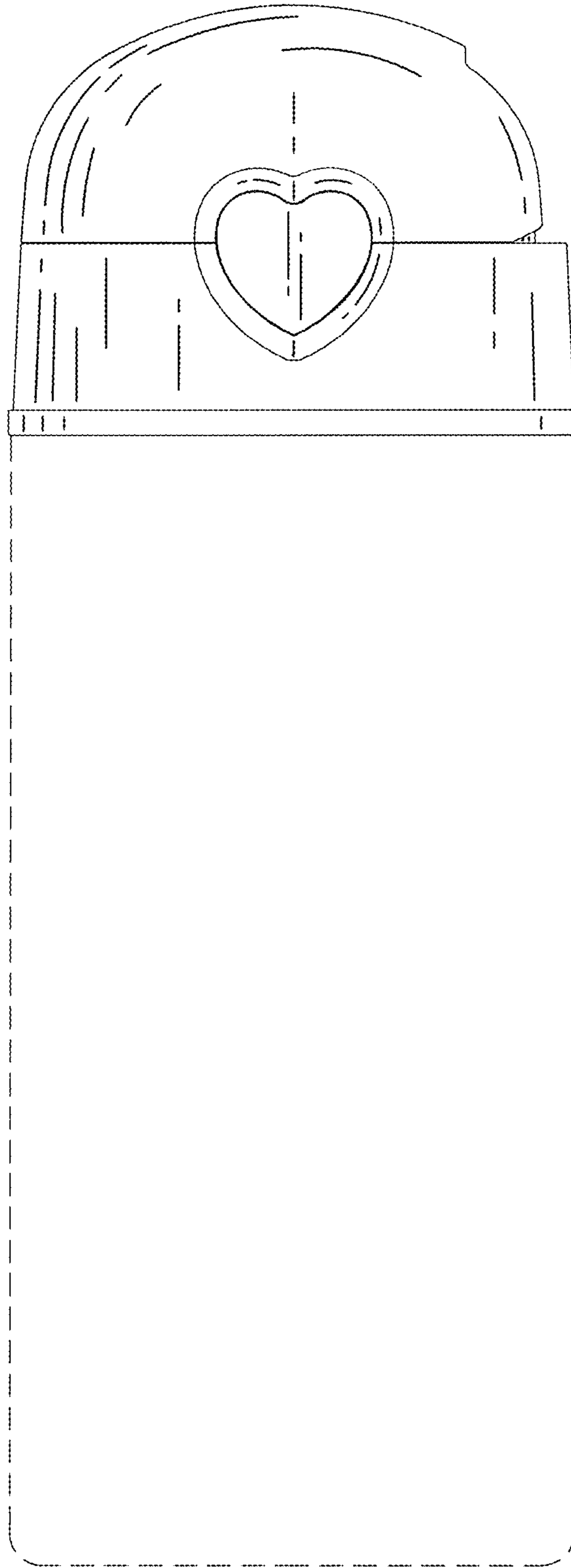


FIG. 5

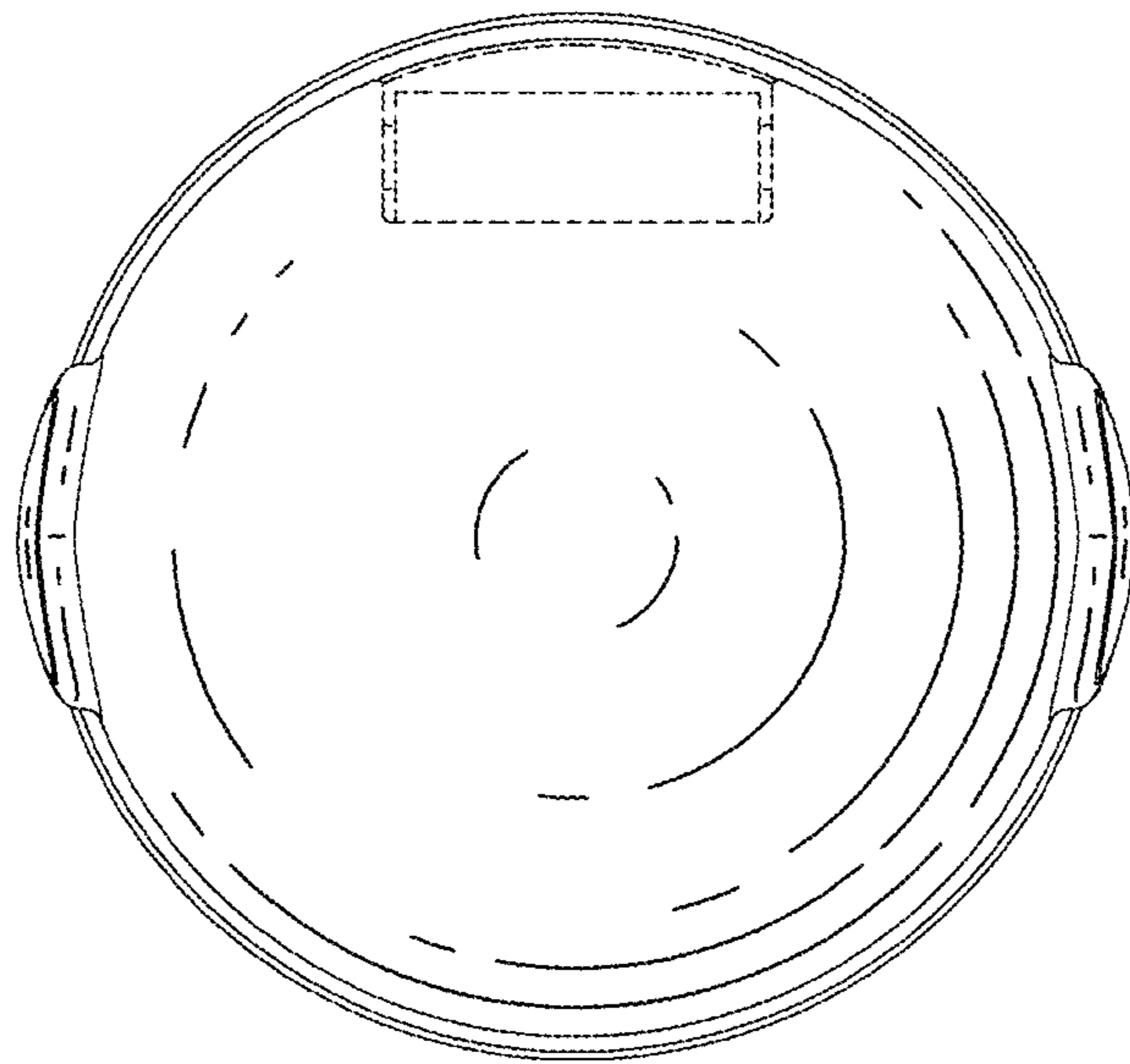


FIG. 6

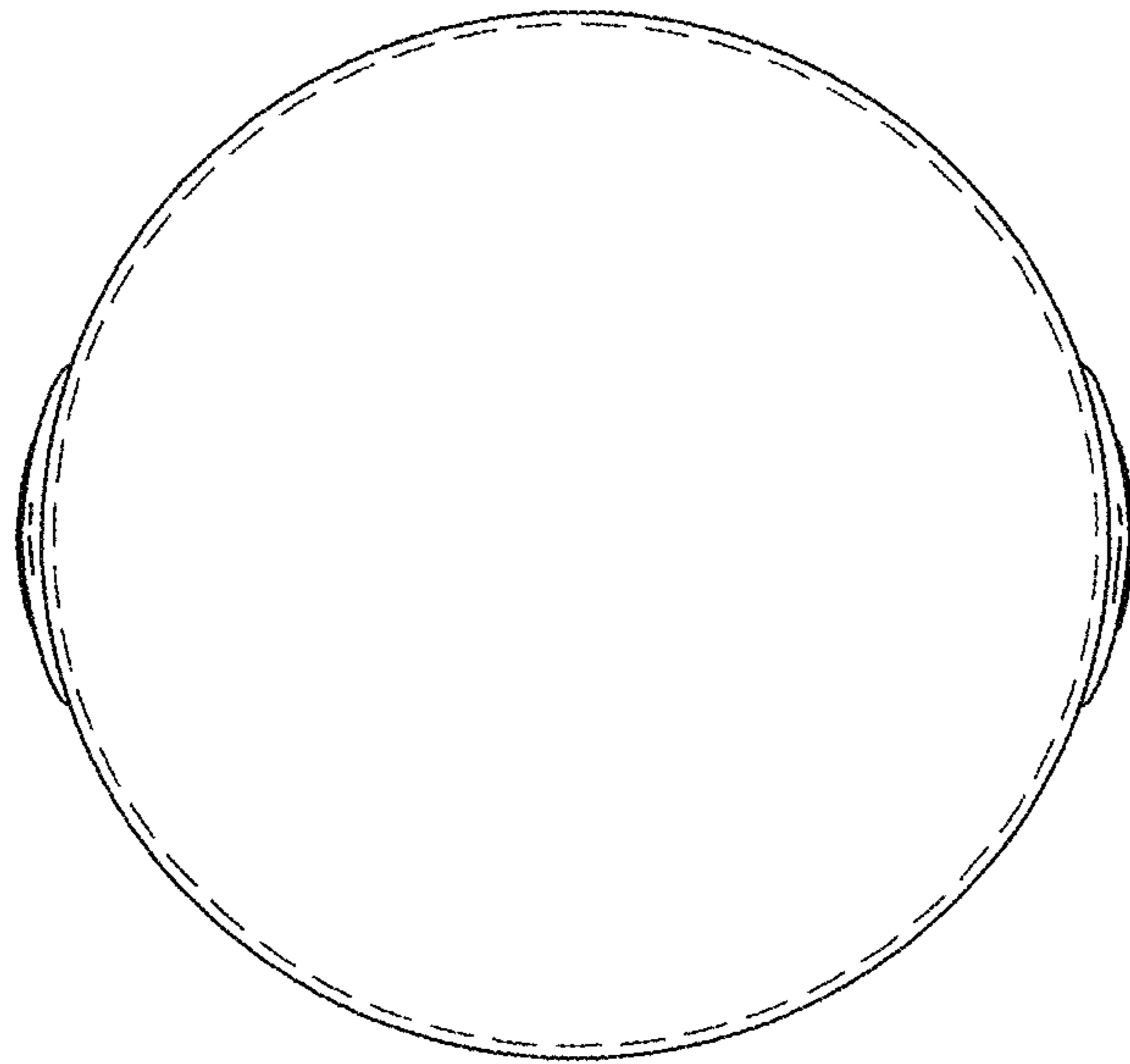


FIG. 7