



US00D775950S

(12) **United States Design Patent**  
**Rognard**

(10) **Patent No.:** **US D775,950 S**  
(45) **Date of Patent:** **\*\* Jan. 10, 2017**

(54) **CLOSING MEANS FOR PACKAGING**

(71) Applicant: **Obrist Closures Switzerland GmbH**,  
Reinach (CH)

(72) Inventor: **Jean-Yves Rognard**, Marcy-sur-Anse  
(FR)

(73) Assignee: **Obrist Closures Switzerland GmbH**,  
Reinach (CH)

(\*\*) Term: **14 Years**

(21) Appl. No.: **29/498,801**

(22) Filed: **Aug. 7, 2014**

(30) **Foreign Application Priority Data**

Feb. 10, 2014 (EM) ..... 1403406-0001  
Feb. 10, 2014 (EM) ..... 1403406-0002

(51) **LOC (10) Cl.** ..... **09-07**

(52) **U.S. Cl.**  
USPC ..... **D9/449; D9/434; D9/435; D9/452;**  
**D9/453**

(58) **Field of Classification Search**

USPC ..... D3/202, 273, 275, 294; D9/434, 435,  
D9/438, 439, 440, 443, 446, 447, 448,  
D9/449, 450, 452, 453, 454, 502, 503,  
D9/504, 529; D19/70, 71, 93, 163, 194;  
D26/36, 123, 124; 206/216, 538, 539,  
206/546; 215/12.1, 42, 200, 217, 225,  
215/226, 228, 230, 233, 235, 236, 237,  
215/238, 249, 251, 253, 254, 305, 306,  
215/321, 382; 220/254.2, 254.3, 254.5,  
220/254.7, 254.9, 260, 264, 266, 285,  
220/368, 521, 711, 714, 811, 812, 835,  
220/837; 222/212, 254.5, 375, 484, 492,  
222/494, 472, 480, 521, 544, 556, 810,  
222/813, 835, 837  
CPC ..... A62C 31/02; B65D 1/02; B65D 1/0233;  
B65D 1/08; B65D 1/10; B65D  
23/00; B65D 23/08; B65D 23/10; B65D  
25/00; B65D 25/40; B65D 25/42; B65D

25/46; B65D 25/48; B65D 25/77; B65D  
39/00; B65D 39/0047; B65D 41/00; B65D  
43/00; B65D 43/02; B05B 17/00; B05B  
15/002; A45D

(Continued)

(56) **References Cited**

U.S. PATENT DOCUMENTS

D265,060 S \* 6/1982 Blank ..... D9/446  
4,699,283 A 10/1987 Dubach  
4,911,337 A 3/1990 Rosenthal

(Continued)

FOREIGN PATENT DOCUMENTS

CN 303149776 \* 4/2015  
EP 1582475 A1 10/2005

(Continued)

OTHER PUBLICATIONS

Intellectual Property Office of Great Britain, Search Report Issued  
in Application No. GB1302287.6, Jul. 8, 2013, 1 page.

(Continued)

*Primary Examiner* — Sheryl Lane

*Assistant Examiner* — Catherine Posthauer

(74) *Attorney, Agent, or Firm* — Alleman Hall McCoy  
Russell & Tuttle LLP

(57) **CLAIM**

The ornamental design for closing means for packaging, as  
shown and described.

**DESCRIPTION**

FIG. 1 is a front-left perspective view of a closing means for  
packaging in a closed position.

FIG. 2 is a rear-left perspective view thereof;

FIG. 3 is a rear view thereof;

FIG. 4 is a left side view thereof;

FIG. 5 is a front view thereof;

FIG. 6 is a plan thereof;

(Continued)

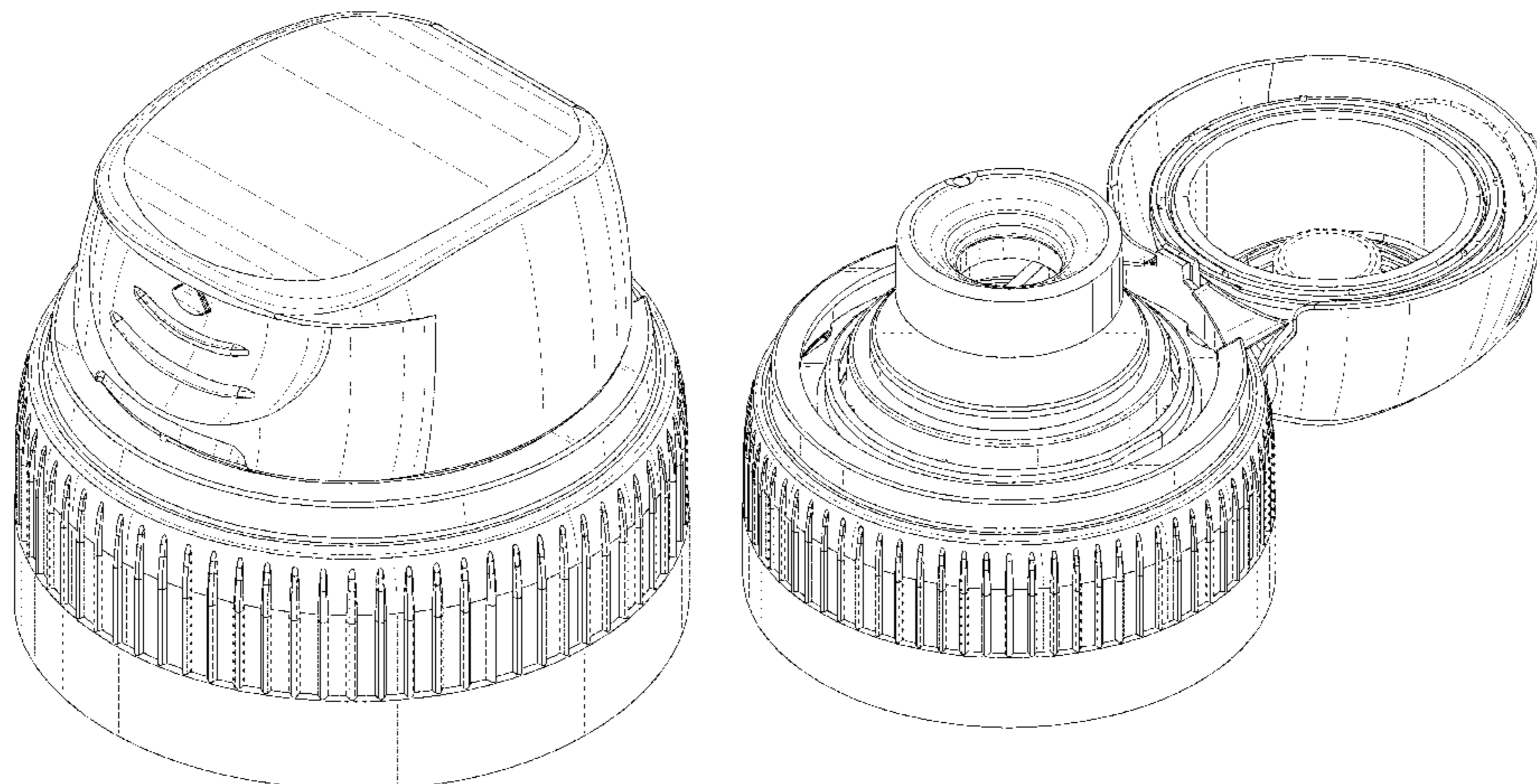


FIG. 7 is a front-left perspective view of the design of FIG. 1 in an open position; and, FIG. 8 is a plan view thereof. The broken lines represent portions of the closing means for a package and form no part of the claimed design. Right side and bottom views are not shown as they do not show any additional claimed features.

**1 Claim, 8 Drawing Sheets**

(58) **Field of Classification Search**

CPC ..... 34/00;A45D 34/042; A45D 2040/0006; A45D 2040/093

See application file for complete search history.

(56) **References Cited**

U.S. PATENT DOCUMENTS

D320,746 S \* 10/1991 Bolen, Jr. .... D9/434  
 5,335,802 A \* 8/1994 Brach et al.  
 5,927,535 A \* 7/1999 Goth ..... B65D 47/0847  
 220/254.3  
 5,927,566 A \* 7/1999 Mueller ..... B29C 45/1676  
 222/490  
 6,283,317 B1 \* 9/2001 Benoit-gonin .... B65D 47/0838  
 215/235  
 6,474,491 B1 \* 11/2002 Benoit-Gonin .... B65D 41/3428  
 215/252  
 D541,154 S \* 4/2007 Moribata ..... D9/449  
 D585,741 S \* 2/2009 Wilson ..... D9/449  
 D592,057 S \* 5/2009 Guerin ..... D9/449  
 7,611,025 B2 \* 11/2009 Nusbaum ..... B65D 47/0838  
 215/235  
 D614,488 S \* 4/2010 Kallenbach ..... D9/449  
 D629,685 S \* 12/2010 Brannon ..... D9/446  
 D636,672 S \* 4/2011 Lohrman ..... D9/438  
 D640,134 S \* 6/2011 Rognard ..... D9/447  
 D672,651 S \* 12/2012 Gregory ..... D9/443  
 D673,041 S \* 12/2012 Antier ..... D9/443  
 D673,042 S \* 12/2012 Antier ..... D9/443  
 D673,043 S \* 12/2012 Antier ..... D9/443  
 D686,075 S \* 7/2013 Guerin et al.  
 D711,230 S \* 8/2014 den Boer ..... D9/449  
 8,794,460 B2 \* 8/2014 Druitt ..... B65D 47/0809  
 215/235  
 D713,724 S \* 9/2014 den Boer ..... D9/449

2005/0087550 A1 4/2005 Skillin  
 2006/0016776 A1 1/2006 Barre et al.  
 2007/0102390 A1 \* 5/2007 Hoepner ..... B65D 47/0885  
 215/235  
 2008/0011703 A1 1/2008 Schmeisser et al.  
 2008/0169261 A1 \* 7/2008 Druitt ..... B65D 47/0809  
 215/237  
 2010/0005641 A1 \* 1/2010 Druitt ..... B65D 47/0809  
 29/426.4  
 2010/0065589 A1 3/2010 Skillin  
 2010/0102022 A1 4/2010 Kuwahara et al.  
 2011/0000137 A1 \* 1/2011 Druitt ..... B65D 47/0809  
 49/399  
 2011/0290755 A1 \* 12/2011 Taber ..... B65D 41/00  
 215/329  
 2015/0246753 A1 \* 9/2015 Iskarous ..... G01N 35/04  
 215/355

FOREIGN PATENT DOCUMENTS

FR 2842176 A1 1/2004  
 GB 1521290 A 8/1978  
 GB 2442227 A 4/2008  
 GB 2445149 A 7/2008  
 JP 2006206062 A 8/2006  
 JP 2006232359 A 9/2006  
 JP 2012046209 A 3/2012  
 WO 0041943 A1 7/2000  
 WO 2008089785 A1 7/2008  
 WO 2009022892 A1 2/2009  
 WO 2014122314 A2 8/2014  
 WO 2014122485 A2 8/2014

OTHER PUBLICATIONS

Intellectual Property Office of Great Britain, Search Report Issued in Application No. GB1308042.9, Aug. 22, 2013, 4 pages.  
 Intellectual Property Office of Great Britain, Search Report Issued in Application No. GB1307201.4, Oct. 11, 2013, 5 pages.  
 Intellectual Property Office of Great Britain, Search Report Issued in Application No. GB1317407.3, Feb. 13, 2014, 4 pages.  
 ISA European Patent Office, International Search Report Issued in Application No. PCT/GB2014/050387, Oct. 17, 2014, WIPO, 8 pages.  
 ISA European Patent Office, International Search Report Issued in Application No. PCT/EP2014/052569, Oct. 17, 2014, WIPO, 8 pages.

\* cited by examiner



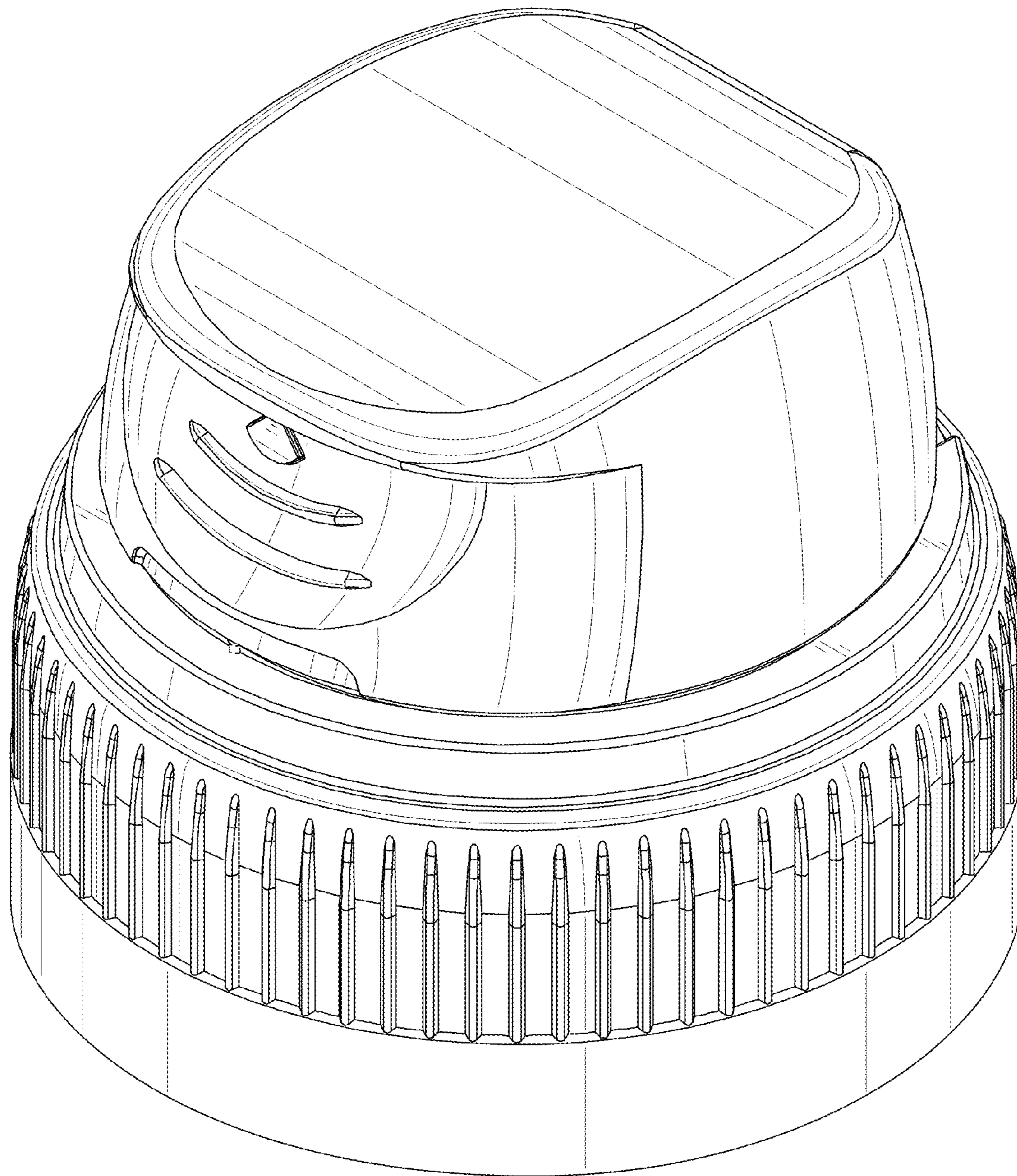


FIG. 1

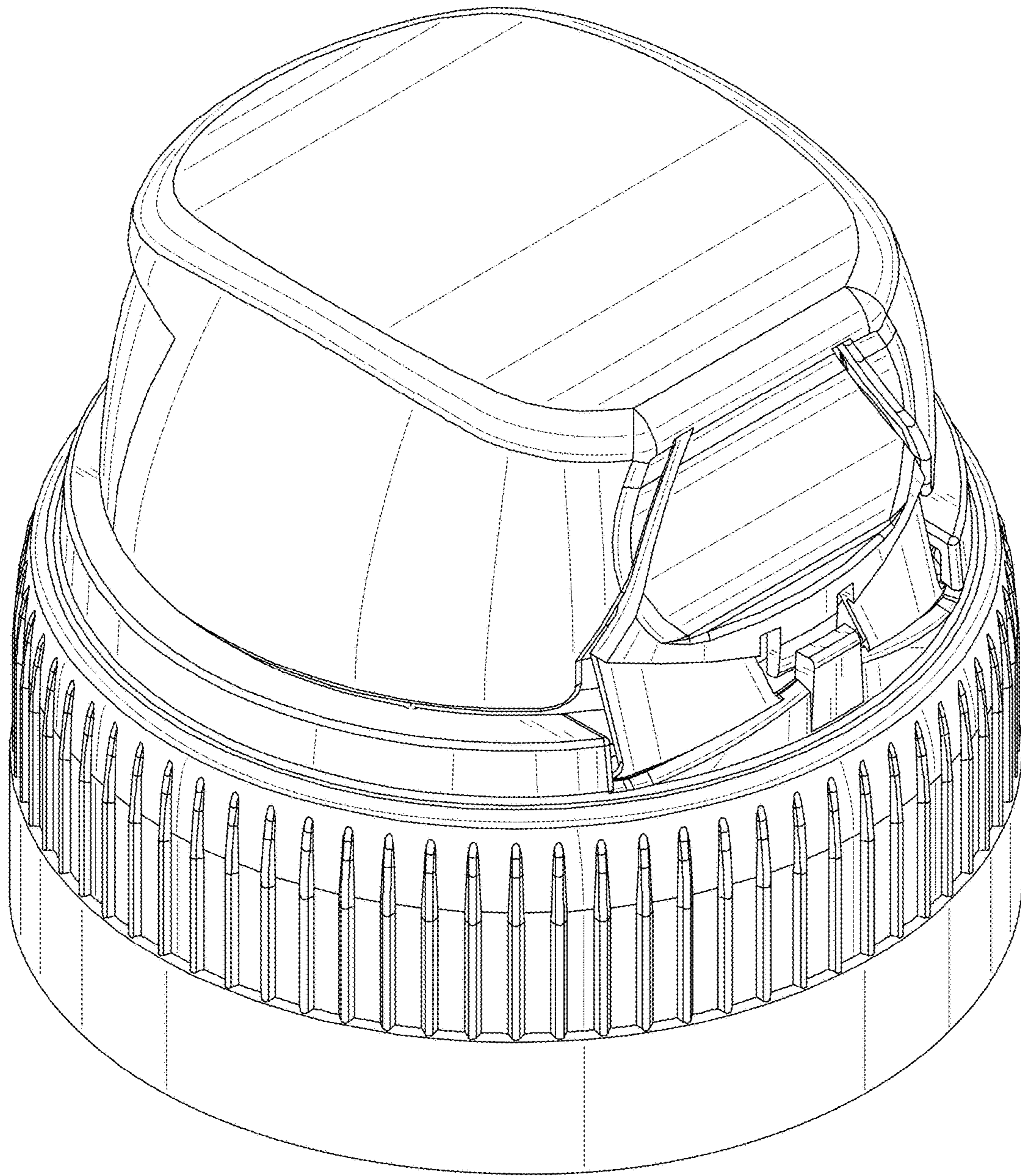


FIG. 2



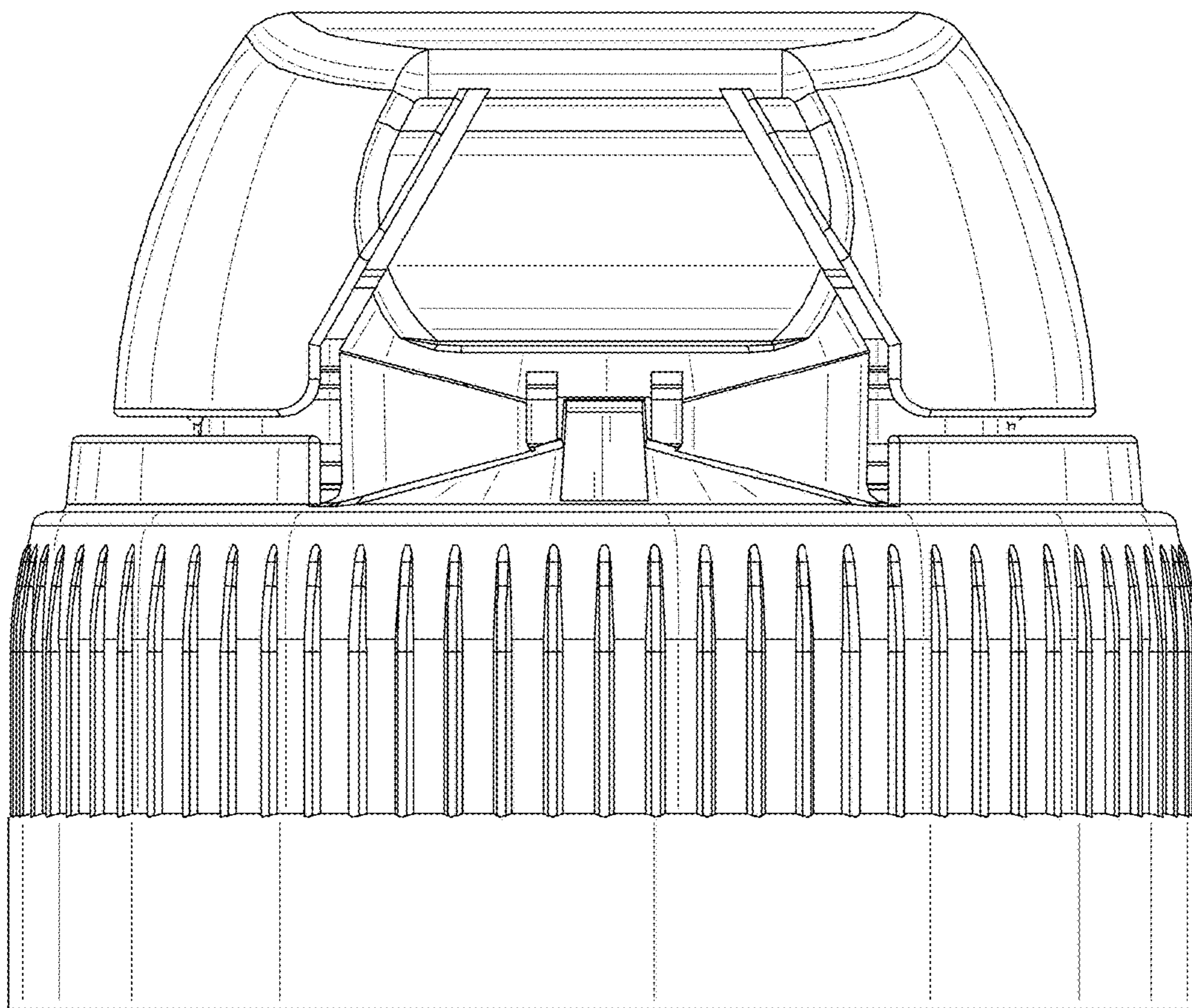


FIG. 3

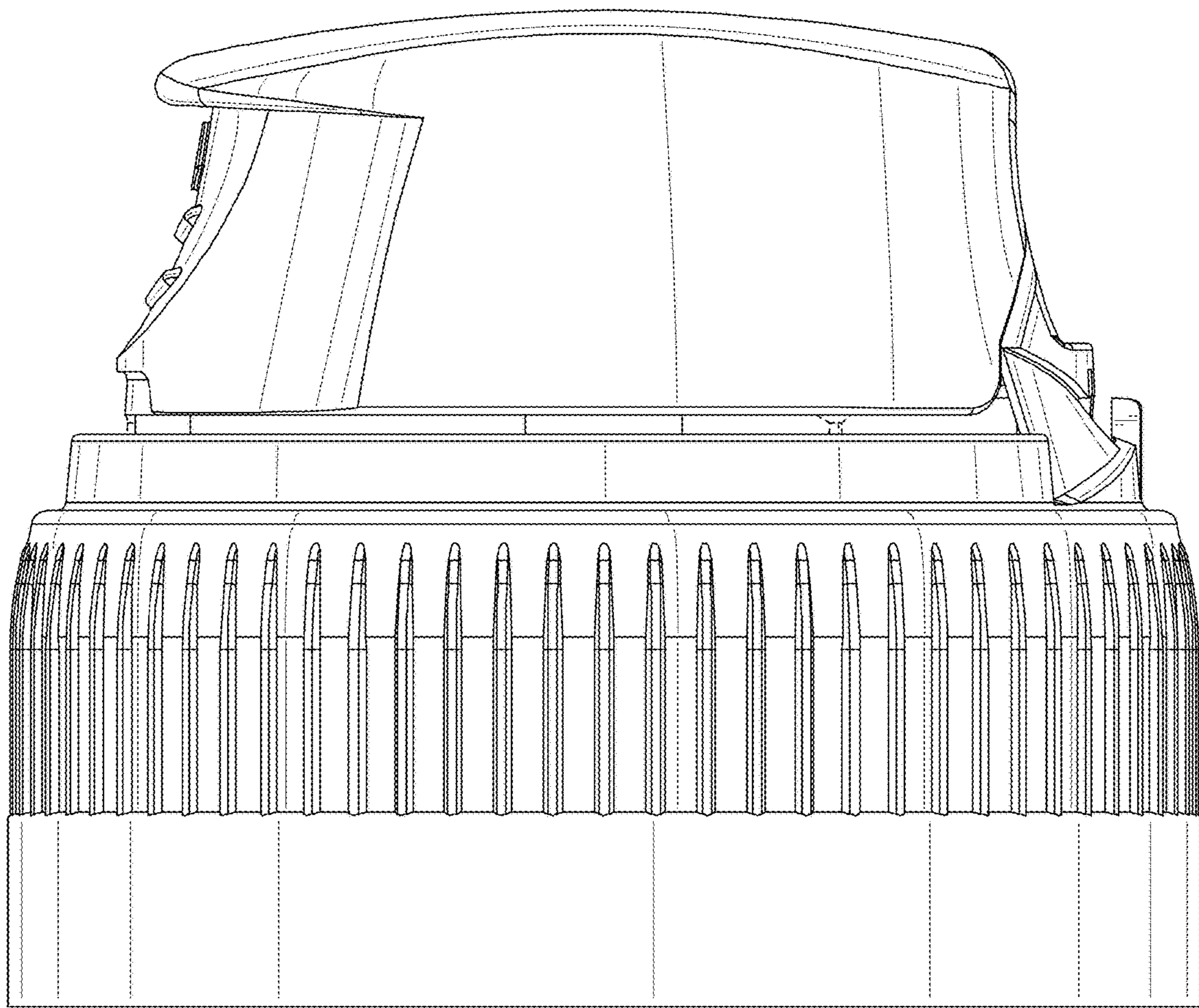


FIG. 4

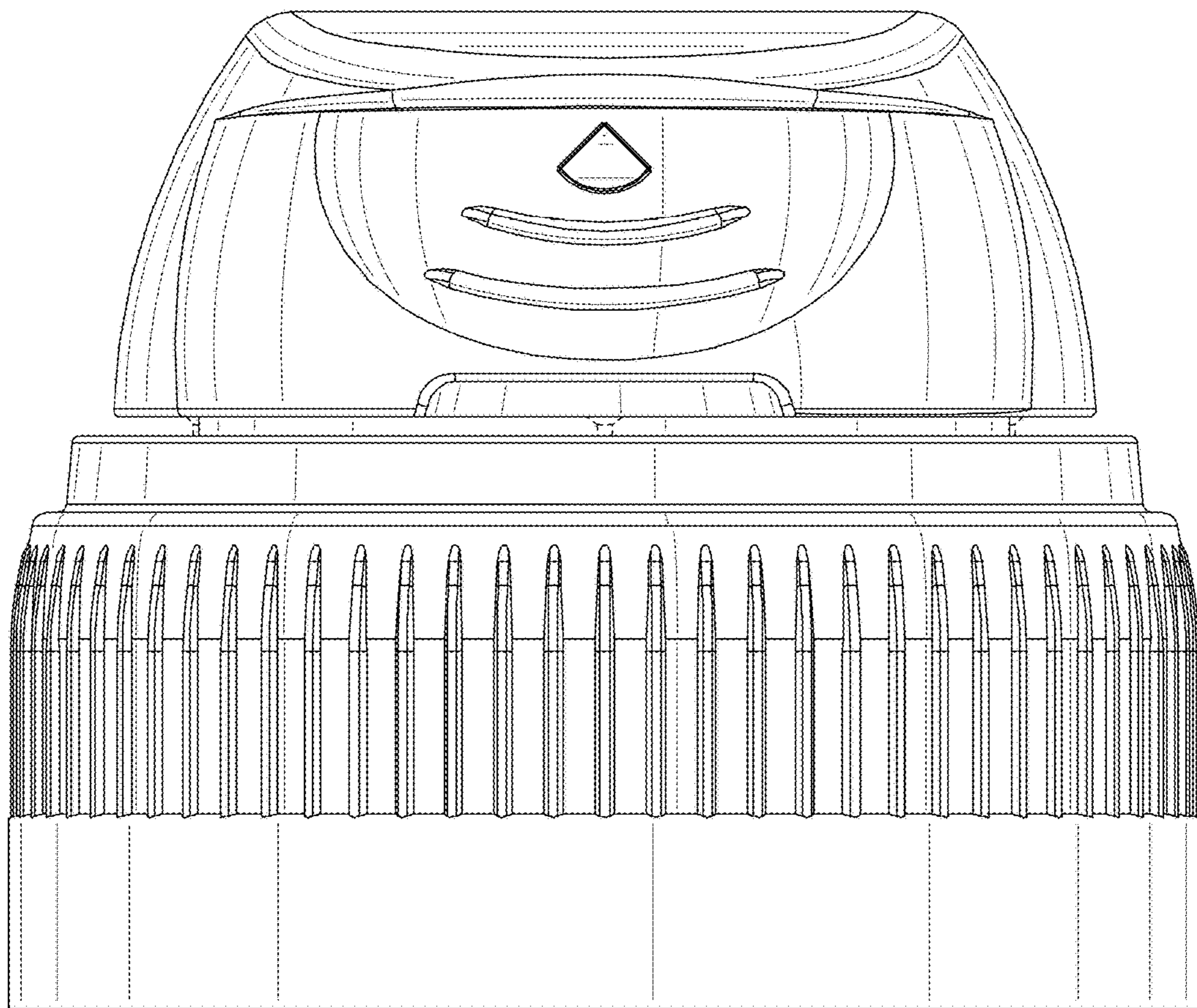


FIG. 5



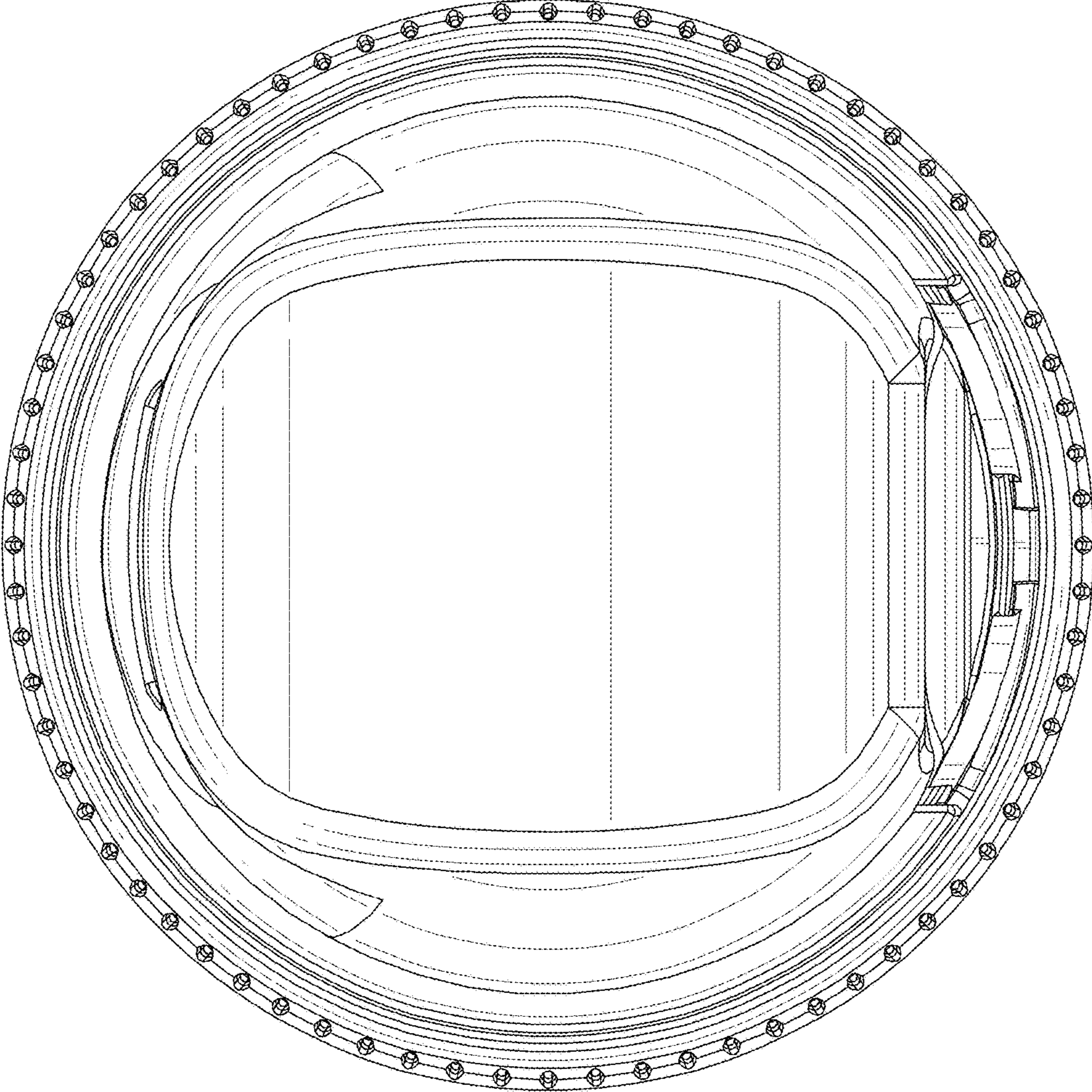


FIG. 6



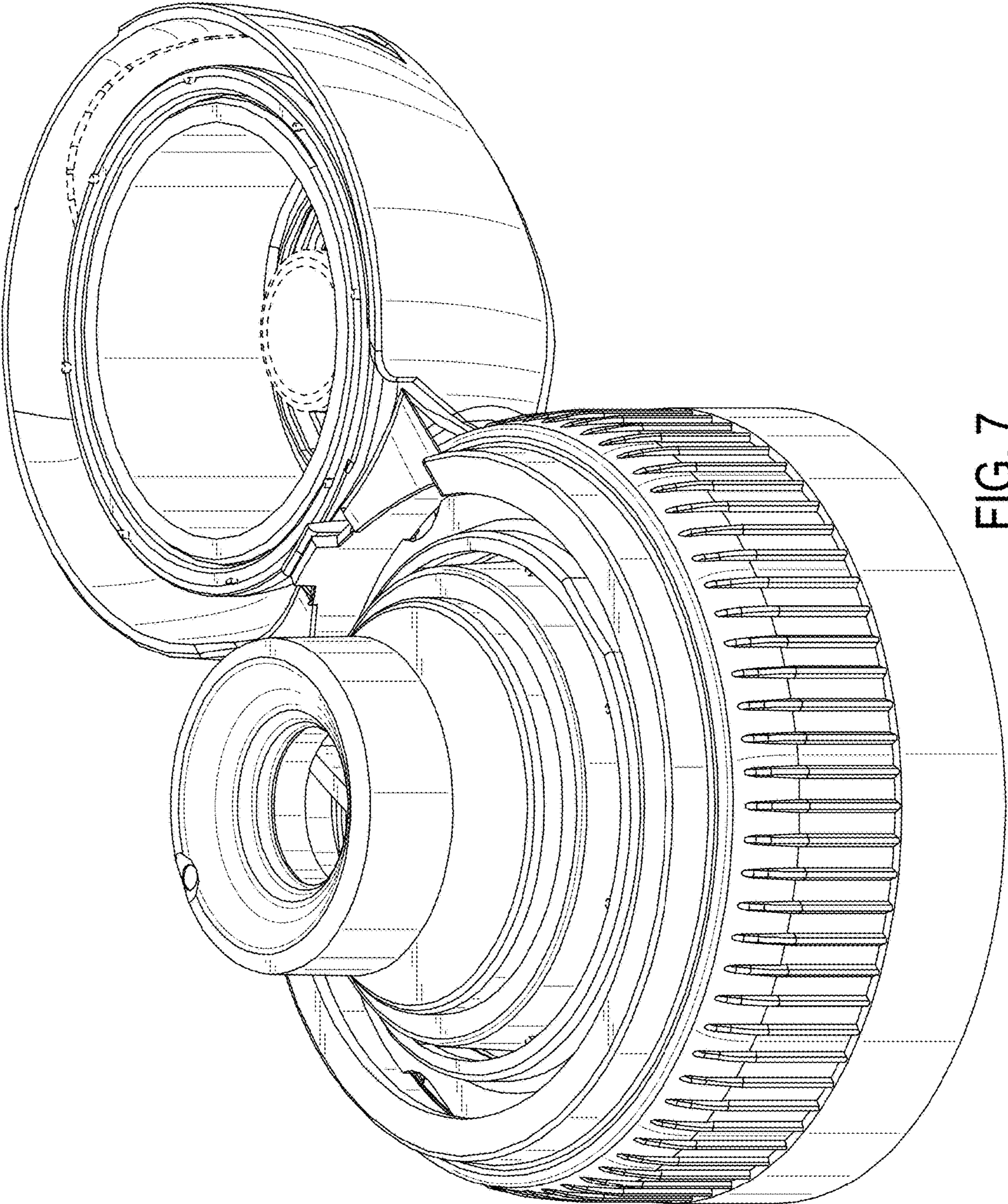


FIG. 7



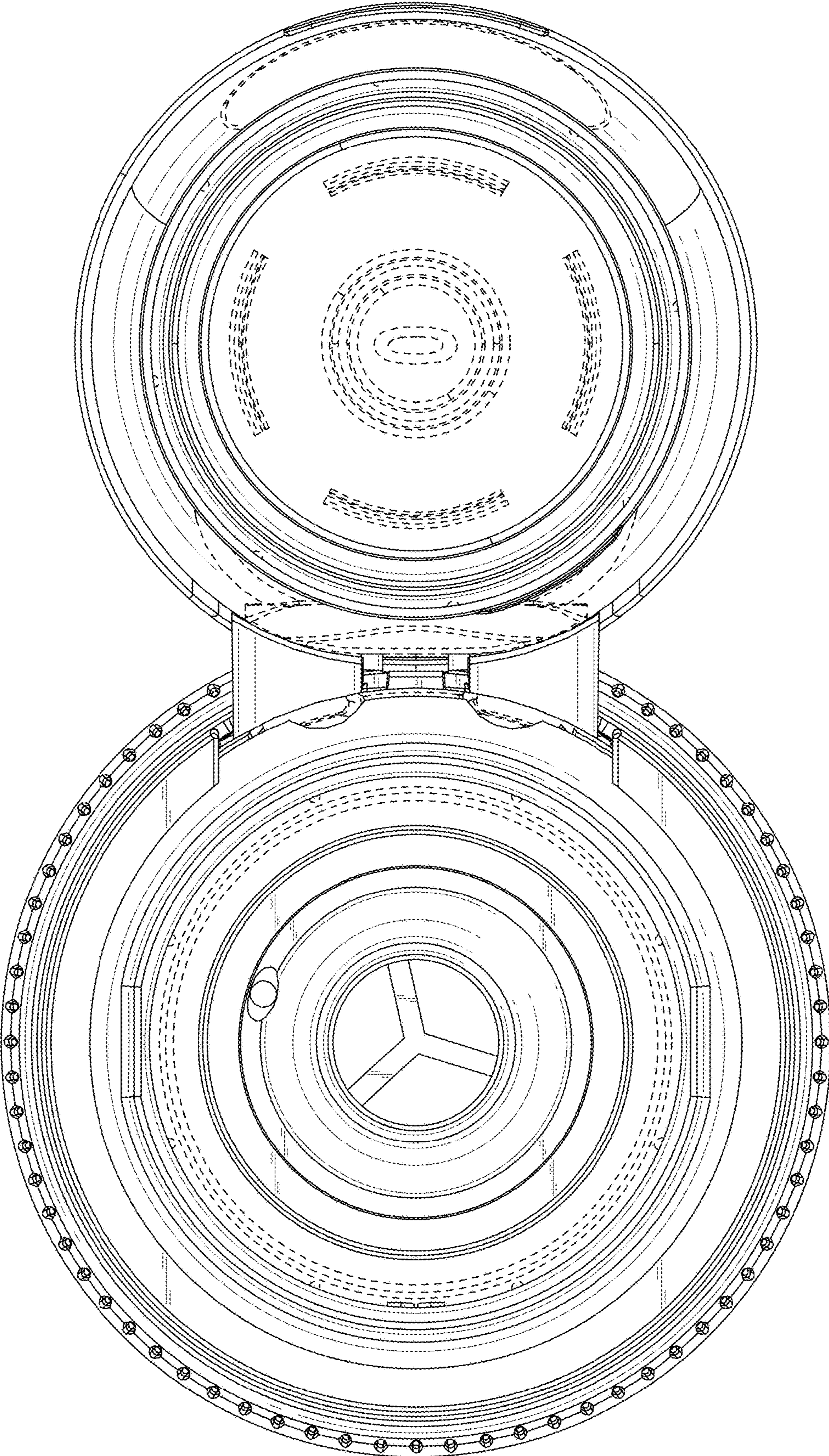


FIG. 8