



US00D775949S

(12) **United States Design Patent** (10) **Patent No.:** **US D775,949 S**  
**Andrew et al.** (45) **Date of Patent:** **\*\* Jan. 10, 2017**

(54) **CAP** 5,277,324 A 1/1994 Cash  
5,330,081 A \* 7/1994 Davenport ..... G01F 11/286  
222/207

(71) Applicant: **The J.M. Smucker Company**, Orrville, OH (US) 5,361,918 A 11/1994 Mason  
5,411,155 A 5/1995 Gordon et al.  
D410,389 S 6/1999 Niedospial, Jr.  
D450,387 S 11/2001 Gaona  
D455,654 S 4/2002 Gobe  
D477,225 S 7/2003 Pinnavaia  
6,708,735 B1 3/2004 Kenihan  
D513,986 S 1/2006 Healy et al.  
7,217,434 B1 5/2007 Loh et al.  
D552,992 S 10/2007 Spencer  
D553,983 S 10/2007 Bunce et al.  
7,523,823 B1 \* 4/2009 Bednar ..... B65D 81/3238  
206/221

(72) Inventors: **Mark Christopher Andrew**, Orrville, OH (US); **Krysti Lynn Scheider**, Sylvan Lake, MI (US); **Craig M. Saunders**, Rocky River, OH (US); **John Evan Spirk**, Gates Mills, OH (US)

(73) Assignee: **The J.M. Smucker Company**, Orrville, OH (US)

(\*\*) Term: **14 Years**  
D604,158 S 11/2009 Chodosh  
7,658,294 B2 2/2010 Housley et al.  
D615,399 S \* 5/2010 Bran ..... D9/436

(21) Appl. No.: **29/490,607**

(22) Filed: **May 12, 2014**

(51) **LOC (10) Cl.** ..... **09-01**

(52) **U.S. Cl.**  
USPC ..... **D9/445**

(58) **Field of Classification Search**  
USPC ..... D9/434, 435, 436, 440, 444, 445, 447,  
D9/448, 449, 452, 454, 499; D7/392,  
D7/392.1, 396.2  
CPC ..... B65D 21/0219; B65D 2543/00046  
See application file for complete search history.

(56) **References Cited**

U.S. PATENT DOCUMENTS

D182,235 S 3/1958 Jaffe  
3,241,724 A \* 3/1966 Lerner ..... A47G 21/187  
222/146.1  
3,581,953 A \* 6/1971 Donoghue ..... B65D 35/40  
222/207  
D224,203 S \* 7/1972 Donoghue ..... D9/503  
D281,581 S 12/1985 MacEwen  
5,180,079 A 1/1993 Jeng  
D336,046 S \* 6/1993 Donoghue ..... D9/547

(Continued)

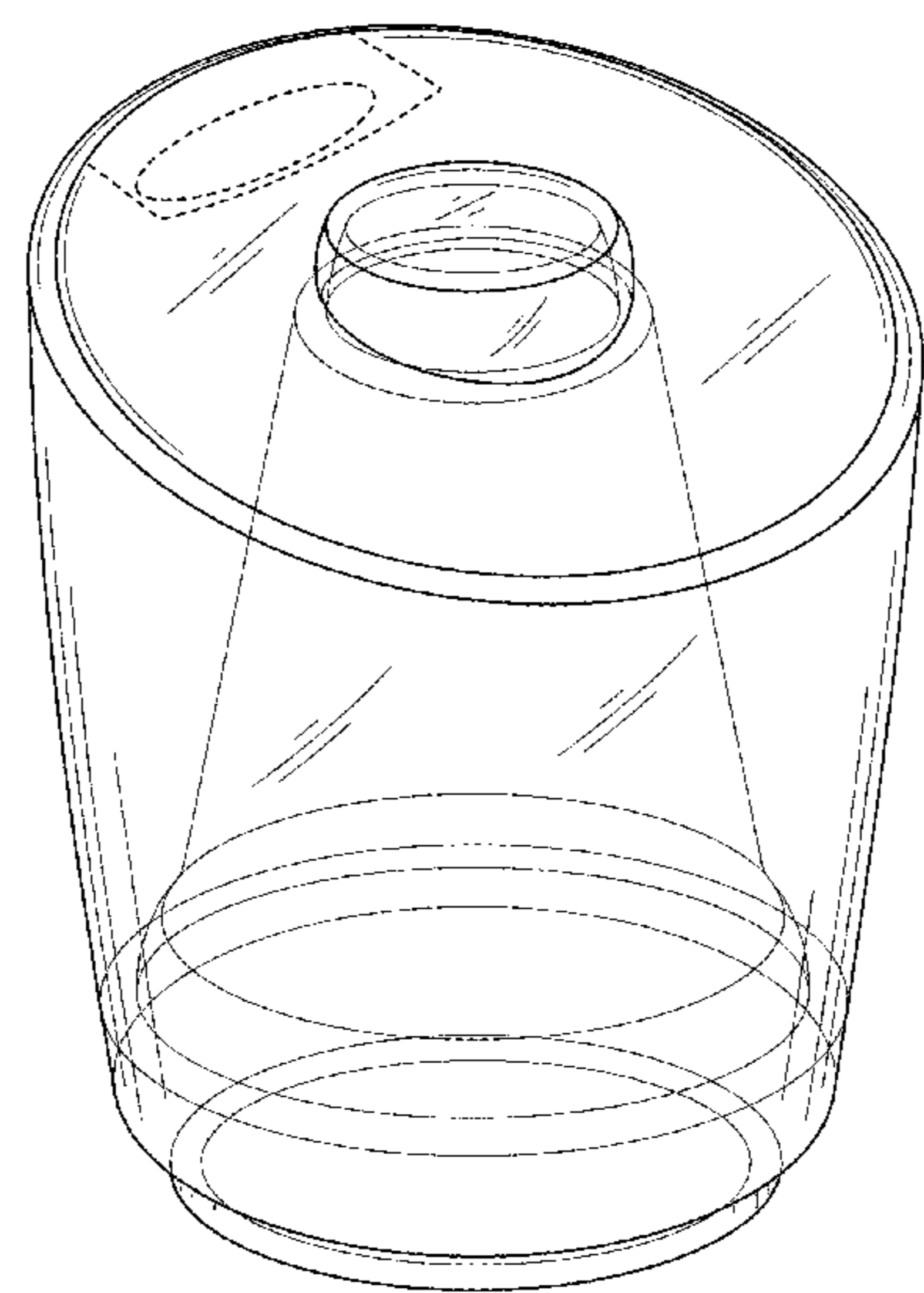
*Primary Examiner* — Robert M Spear  
(74) *Attorney, Agent, or Firm* — Michael A. Olshavsky

(57) **CLAIM**  
We claim the ornamental design for a cap, as shown and described.

**DESCRIPTION**

FIG. 1 is a front perspective view of a cap, showing our new design;  
FIG. 2 is a front elevational view thereof;  
FIG. 3 is a rear elevational view thereof;  
FIG. 4 is a left side elevational view thereof;  
FIG. 5 is a right side elevational view thereof;  
FIG. 6 is a bottom plan view thereof; and,  
FIG. 7 is a top plan view thereof.  
In the drawings, the broken lines immediately adjacent the shaded areas represent the bounds of the claimed design, while all other broken lines are directed to environment; the broken lines form no part of the claimed design.

**1 Claim, 7 Drawing Sheets**



(56)

**References Cited**

U.S. PATENT DOCUMENTS

7,717,304	B2	5/2010	Patey et al.	
D642,921	S	8/2011	Endert	
D661,202	S	6/2012	McCoy et al.	
D663,630	S	7/2012	White et al.	
D665,267	S	8/2012	Dittmer et al.	
D668,153	S	10/2012	Mavin et al.	
D669,354	S	10/2012	Davis et al.	
D681,835	S *	5/2013	Stephan .....	D24/197
2004/0154937	A1 *	8/2004	Cho .....	B65D 51/2864 206/219
2005/0045642	A1	3/2005	Vance	
2005/0118309	A1	6/2005	Beckman	
2005/0123657	A1	6/2005	Beckman	
2005/0208186	A1	9/2005	Kirkland	
2008/0164253	A1	7/2008	Truong	
2008/0254178	A1	10/2008	Allen et al.	
2009/0302070	A1	12/2009	Patey et al.	

\* cited by examiner

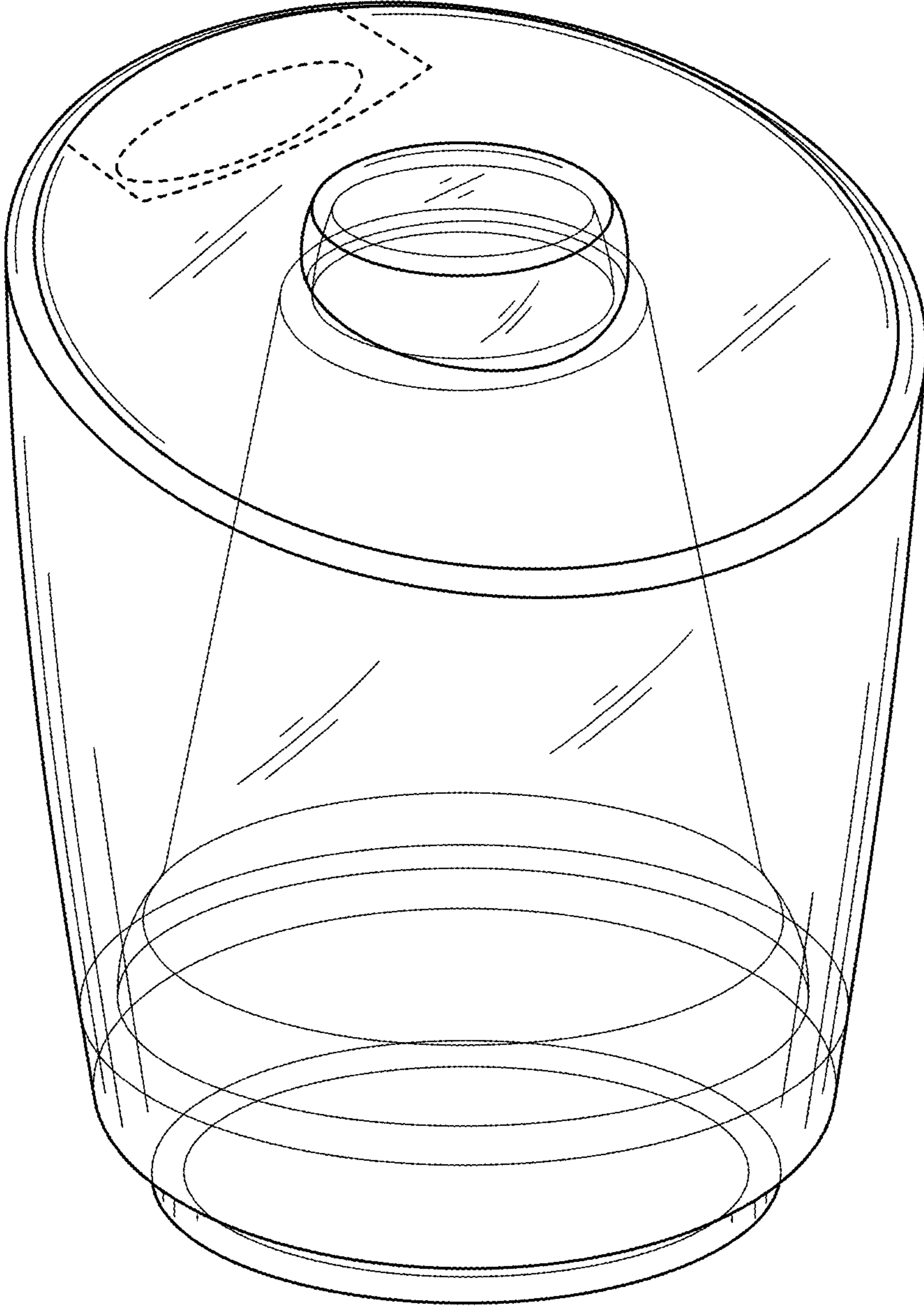


FIG. 1

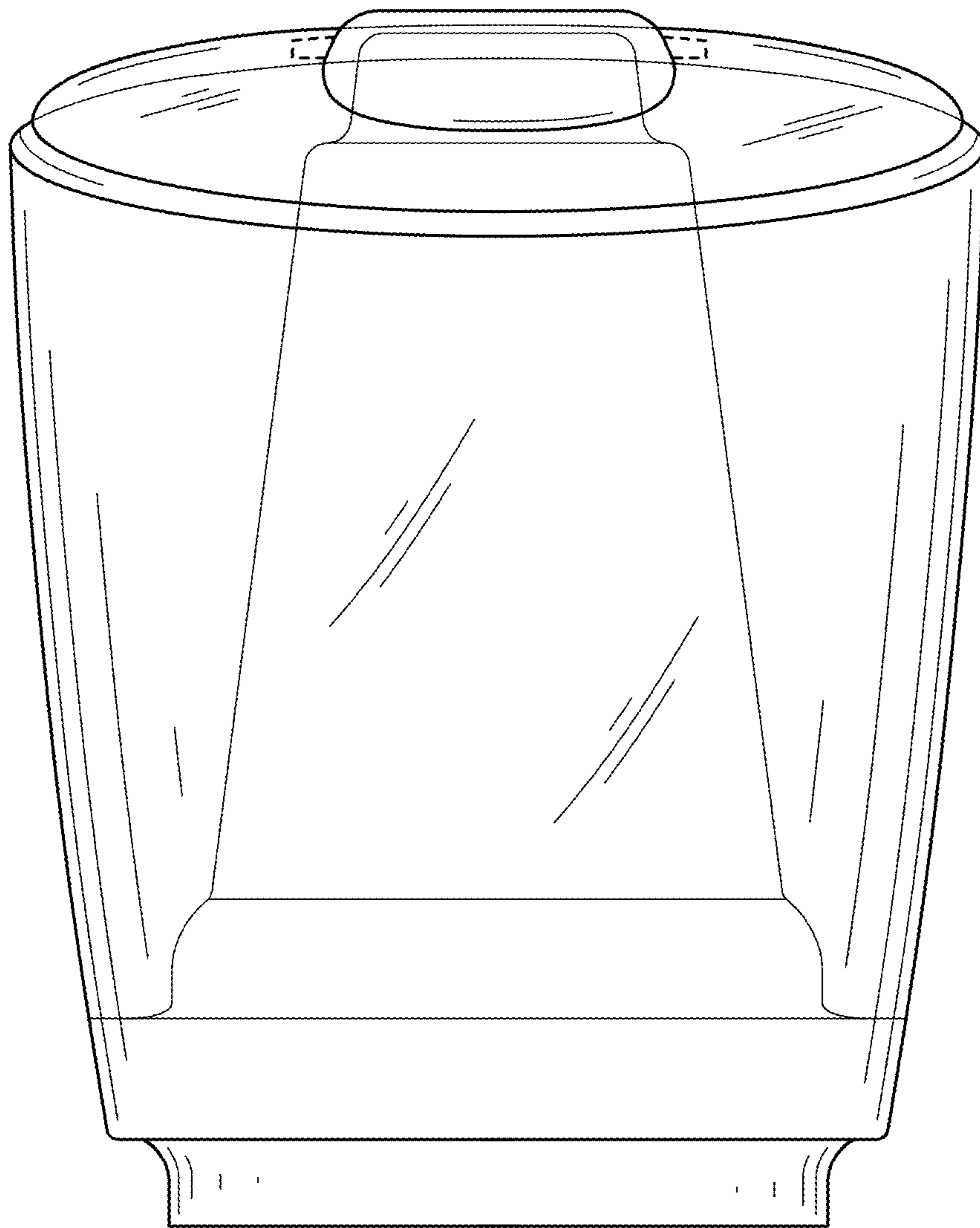


FIG. 2

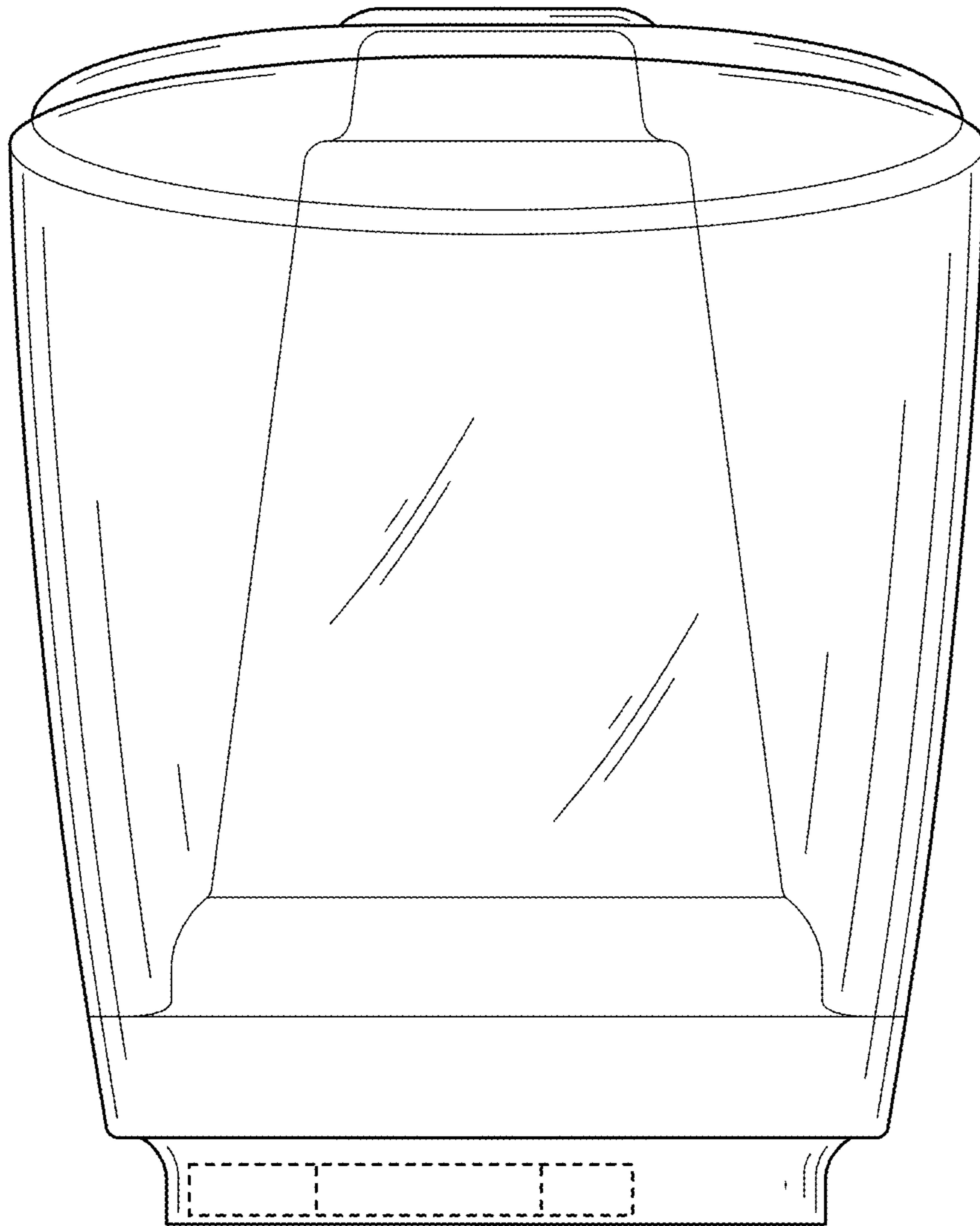


FIG. 3

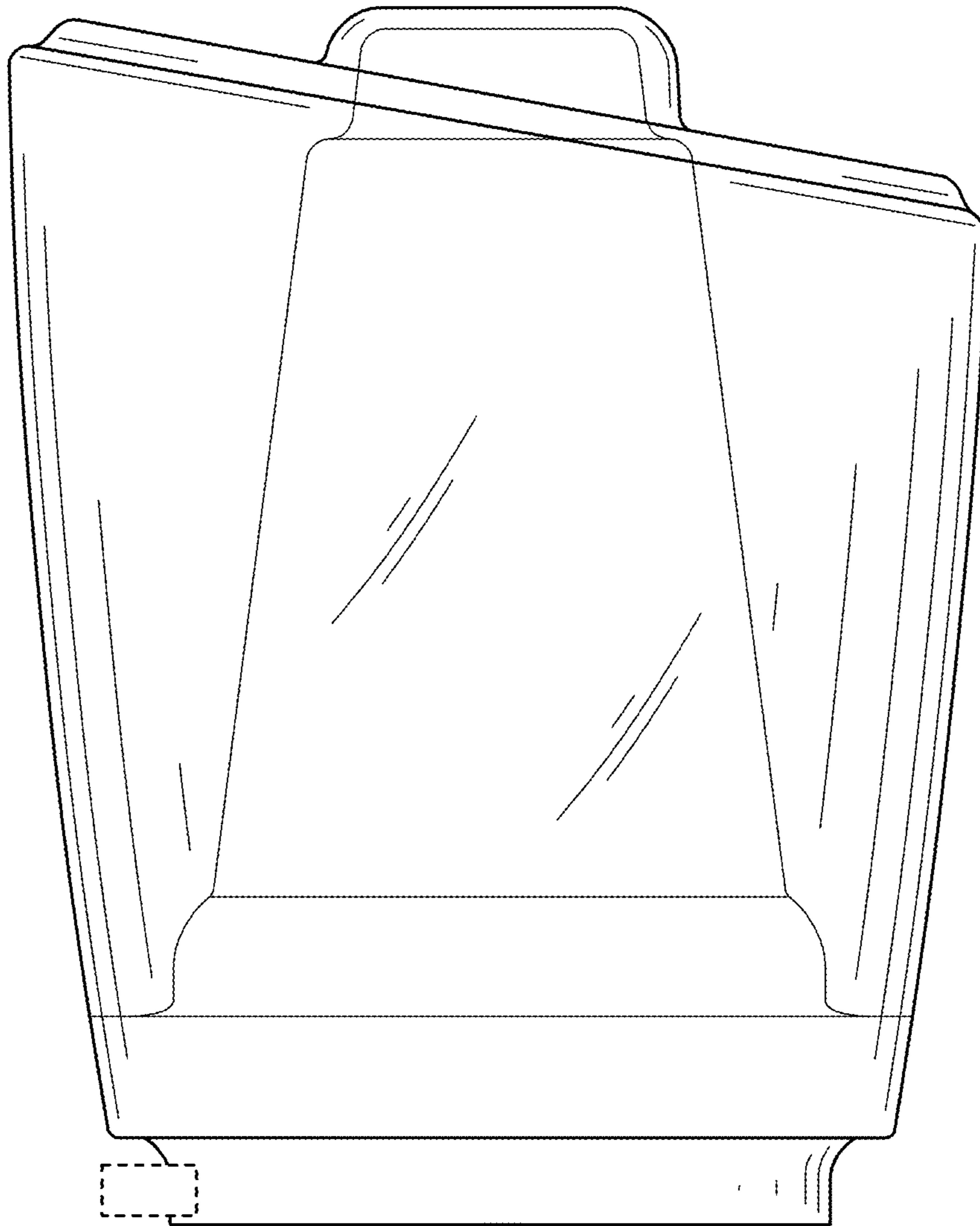


FIG. 4

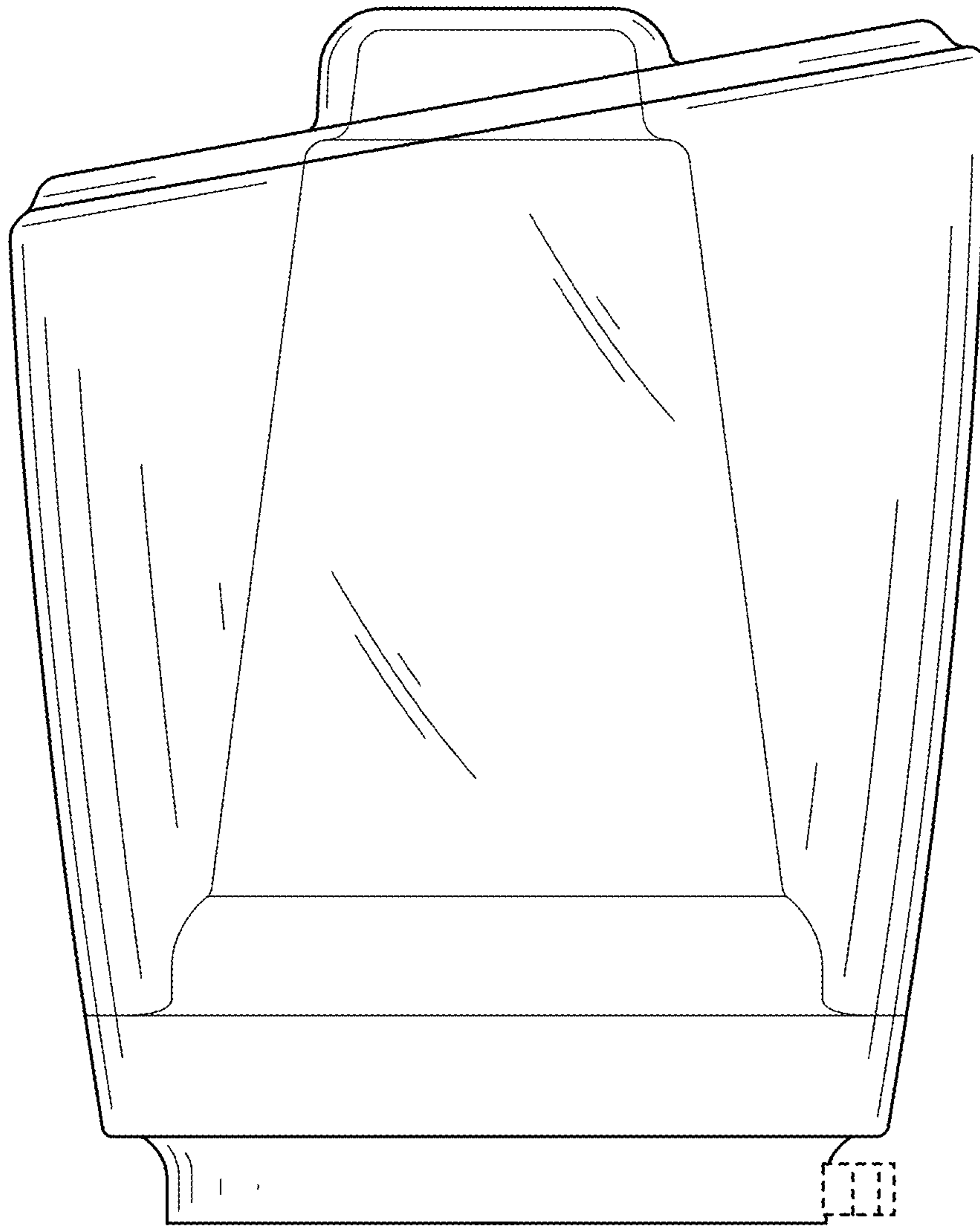


FIG. 5

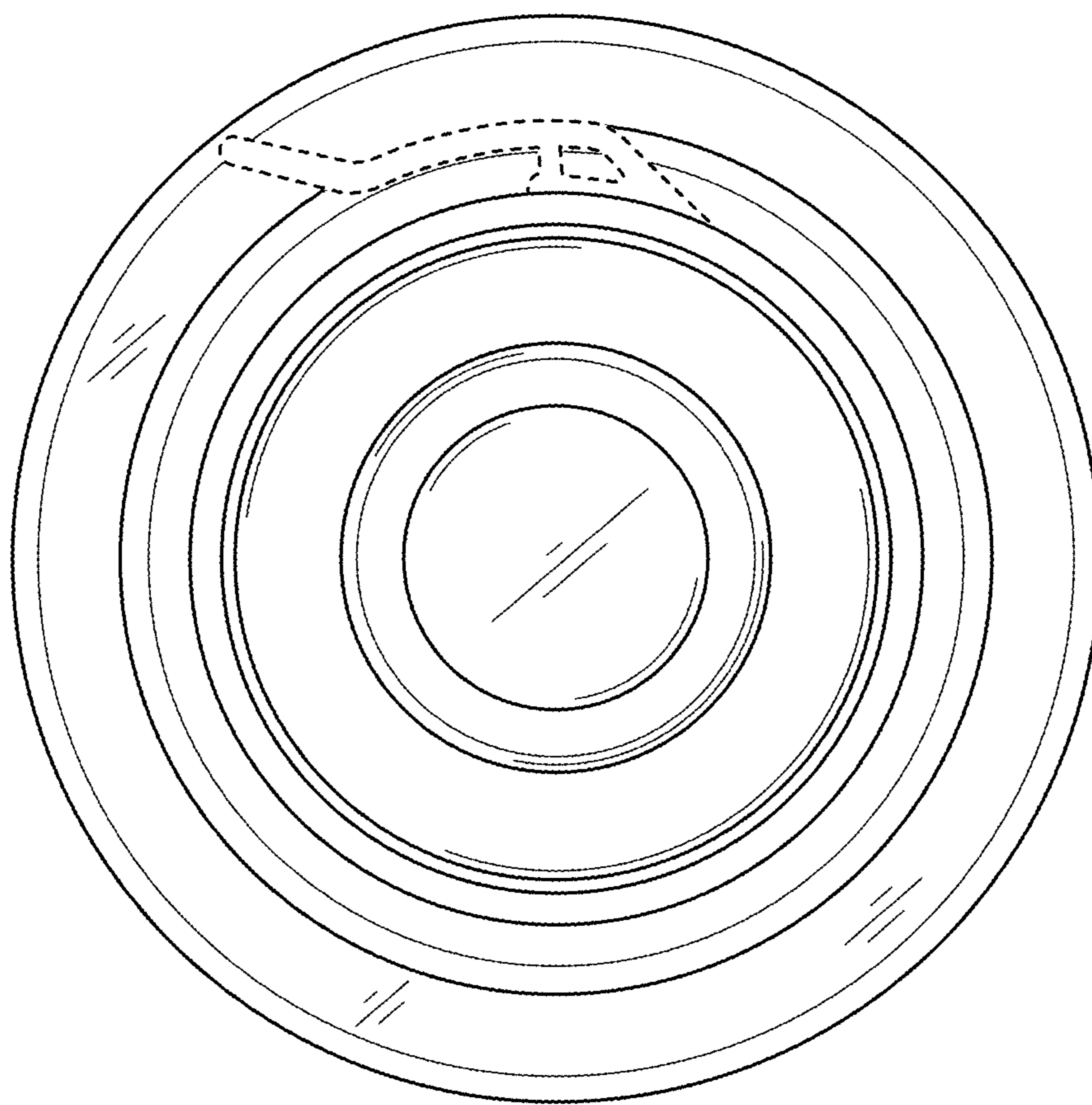


FIG. 6



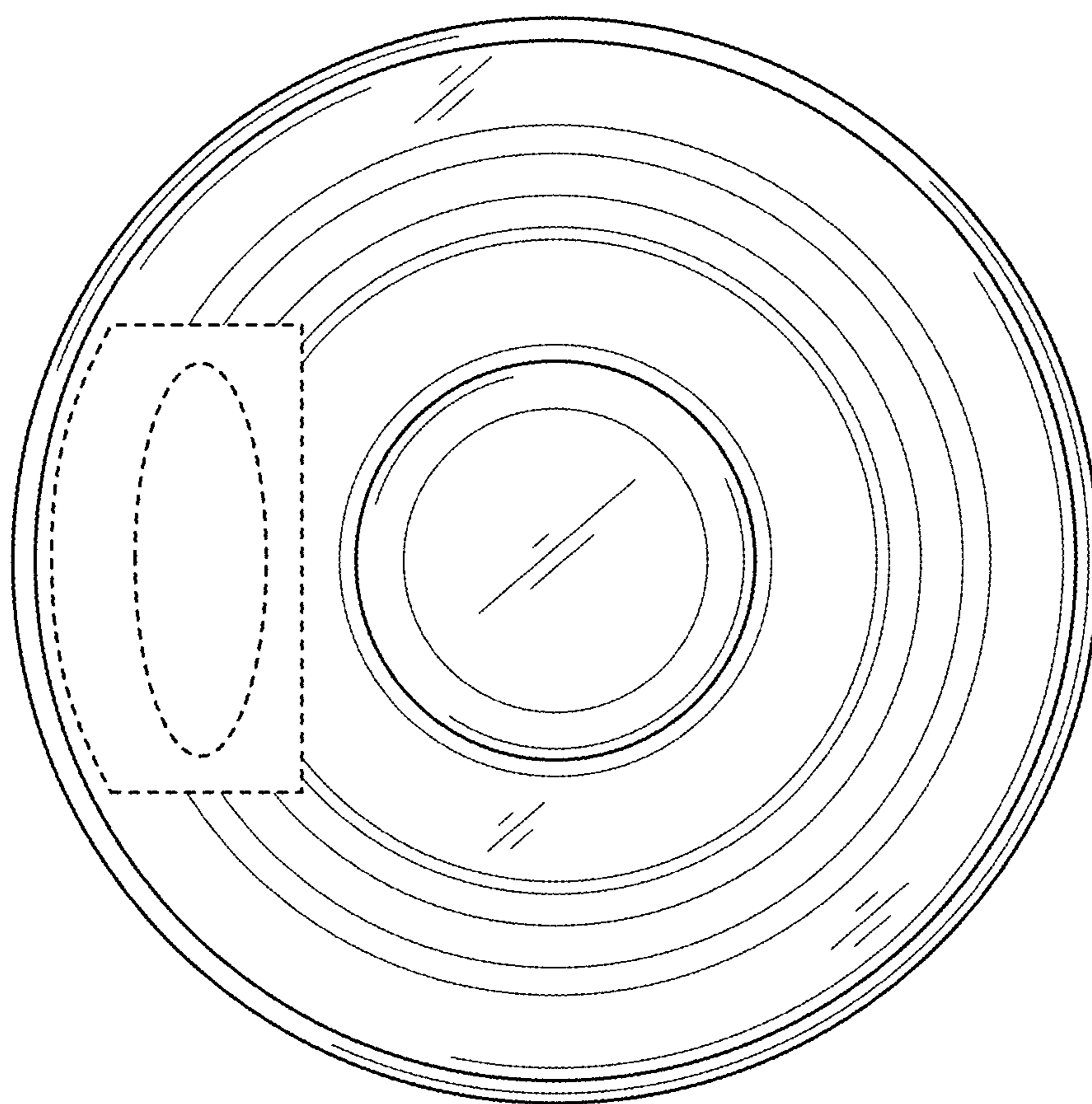


FIG. 7