



US00D775947S

(12) **United States Design Patent**  
**Epstein et al.**

(10) **Patent No.:** **US D775,947 S**

(45) **Date of Patent:** **\*\* Jan. 10, 2017**

(54) **PAPER FOOD TRAY**  
(71) Applicant: **Perk-Up, Inc.**, White Plains, NY (US)  
(72) Inventors: **Paul Epstein**, Larchmont, NY (US);  
**John Daines**, Stanley, NY (US)  
(73) Assignee: **Perk-Up, Inc.**, White Plains, NY (US)  
(\*\*) Term: **14 Years**  
(21) Appl. No.: **29/525,674**

D283,491 S \* 4/1986 Edwards ..... D9/433  
5,253,801 A 10/1993 Bernstein  
6,505,769 B2 \* 1/2003 Stone ..... B65D 5/2047  
229/125.35  
D603,255 S \* 11/2009 King ..... D9/433  
D603,256 S \* 11/2009 King ..... D9/433  
D622,589 S \* 8/2010 Elias ..... D9/431  
D677,154 S \* 3/2013 Miller ..... D9/424  
D678,052 S \* 3/2013 Bakker ..... D9/433  
D684,858 S \* 6/2013 Sill ..... D9/421  
D718,981 S \* 12/2014 Katterheinrich ..... D7/550.1  
D743,211 S \* 11/2015 Choi ..... D7/554.3  
2004/0182916 A1 \* 9/2004 Roseth ..... B65D 5/2047  
229/155

(22) Filed: **May 1, 2015**  
(51) **LOC (10) Cl.** ..... **09-03**  
(52) **U.S. Cl.**  
USPC ..... **D9/433**  
(58) **Field of Classification Search**  
USPC ..... D9/430, 414, 432, 524, 516, 433, 431;  
D7/543, 545, 602, 552.2, 538, 550.1;  
229/112, 100  
CPC ..... B65D 1/00; B65D 5/4291; B65D 5/38;  
B65D 1/225; B65D 5/002; B65D 5/603;  
A47F 5/11  
See application file for complete search history.

(56) **References Cited**

**U.S. PATENT DOCUMENTS**

D4,899 S \* 5/1871 Paynr ..... D9/431  
D66,931 S \* 3/1925 Farrell ..... D7/550.1  
1,892,756 A \* 1/1933 Van Horne ..... B65D 5/603  
206/515  
D108,605 S \* 2/1938 Nagle ..... D9/433  
D108,606 S \* 2/1938 Nagle ..... 229/162.7  
4,056,221 A \* 11/1977 Piltz ..... B31B 7/00  
229/164.1  
D251,227 S \* 3/1979 Mathison ..... D7/550.1  
4,295,839 A \* 10/1981 Baker ..... B31B 1/46  
493/143  
4,304,352 A 12/1981 Humphries

**OTHER PUBLICATIONS**

Eco-Box Flyer, Kari-Out Co. (dated Nov. 12, 2012).

\* cited by examiner

*Primary Examiner* — Cynthia Underwood  
(74) *Attorney, Agent, or Firm* — Pabst Patent Group LLP

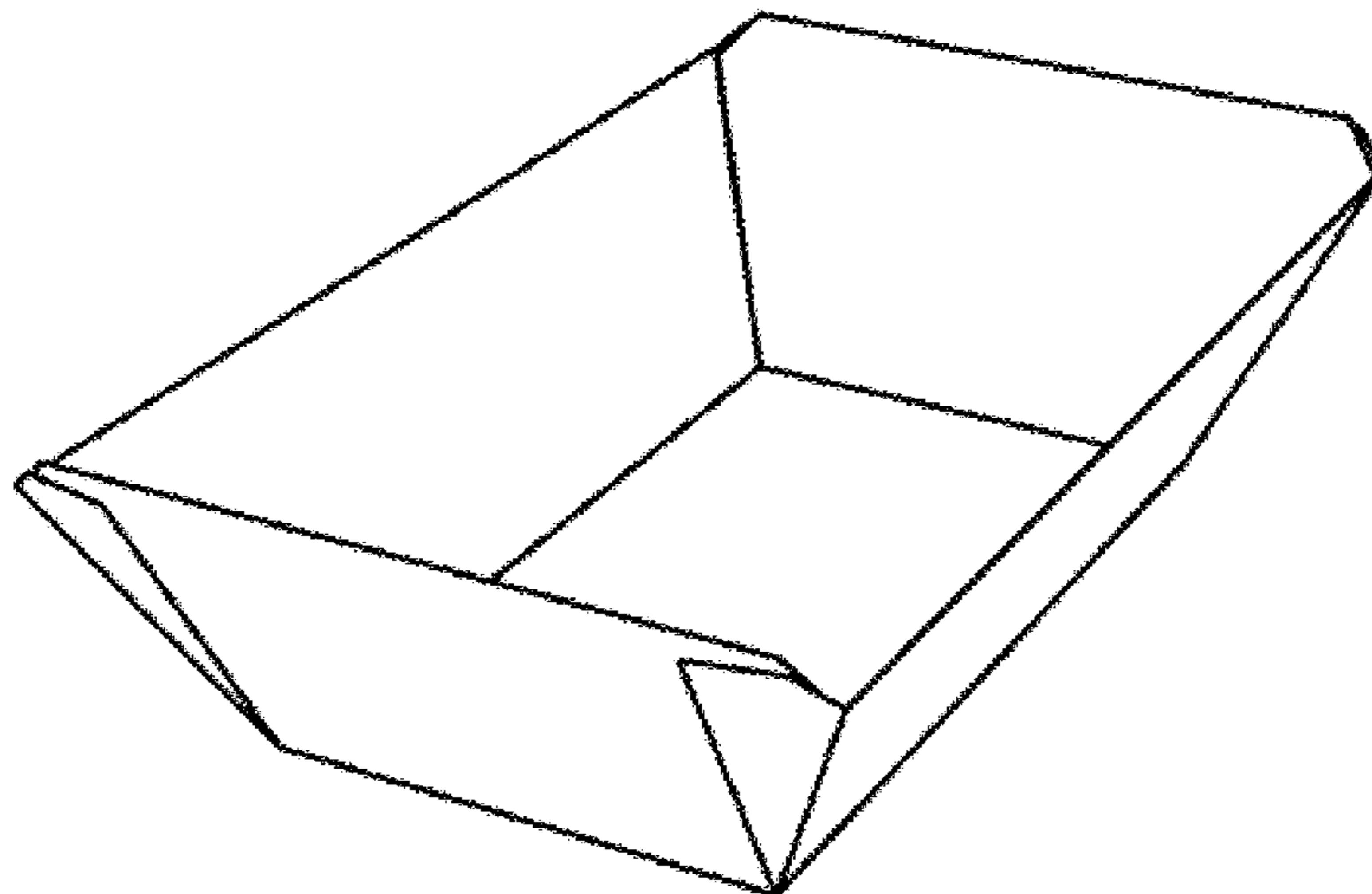
(57) **CLAIM**

We claim the ornamental design for a paper food tray, as shown and described.

**DESCRIPTION**

FIG. 1 is a top, right, front isometric view of the paper food tray showing our new design;  
FIG. 2 is a right, front, side isometric view;  
FIG. 3 is a bottom view;  
FIG. 4 is a front view of a short side of the tray, the rear view being a mirror image thereof; and,  
FIG. 5 is a right side view of a long side of the tray, the opposite side being a mirror image thereof.

**1 Claim, 2 Drawing Sheets**



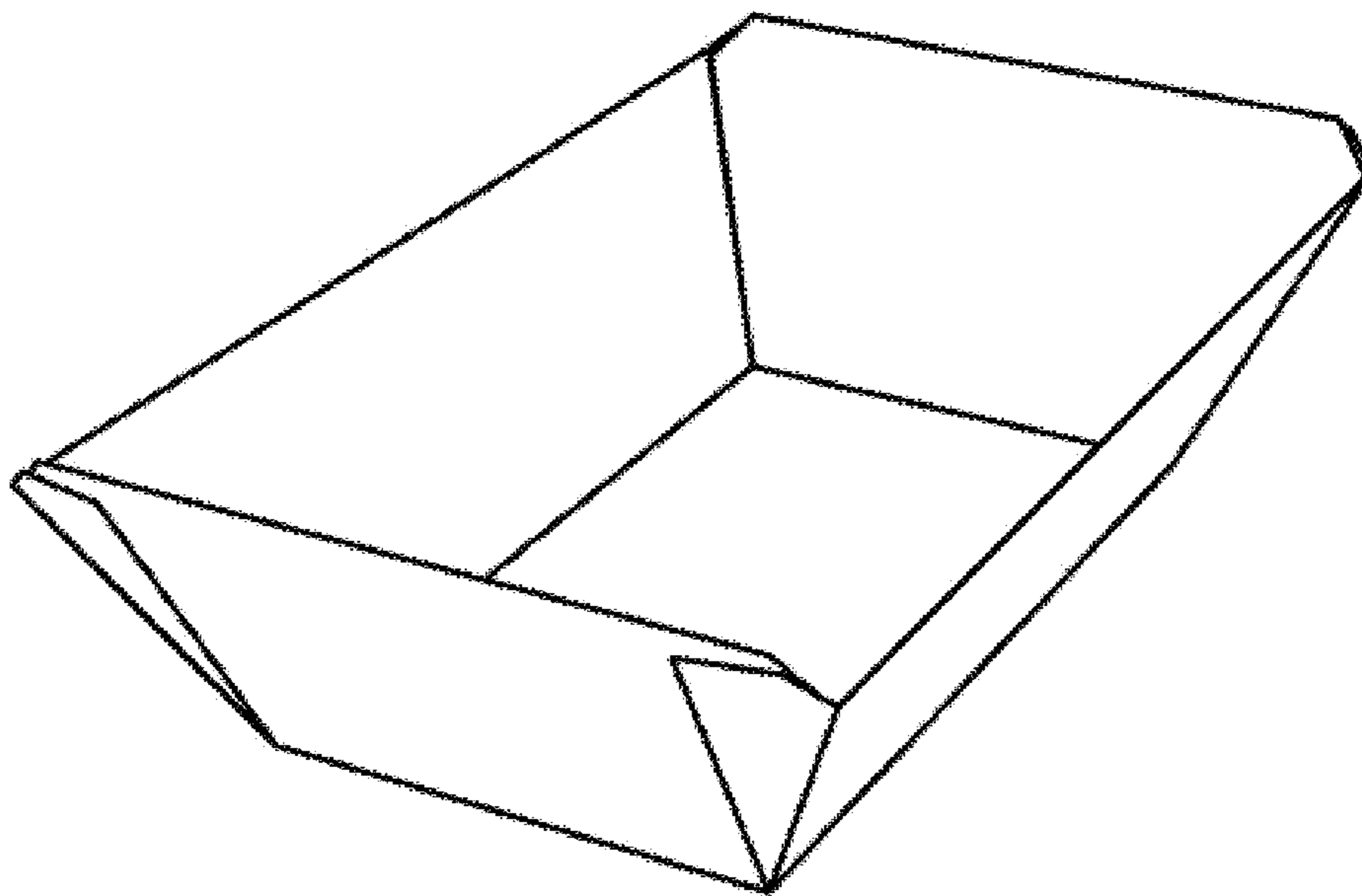


FIG. 1

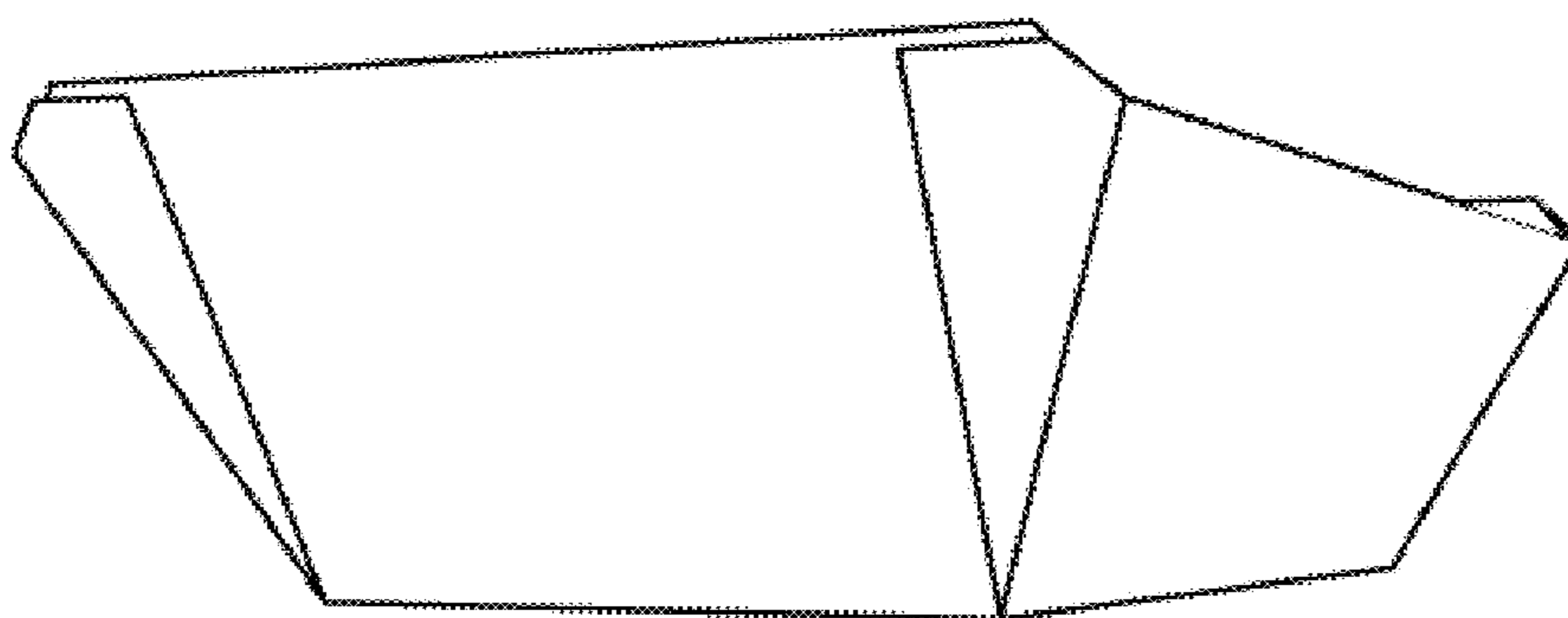


FIG. 2

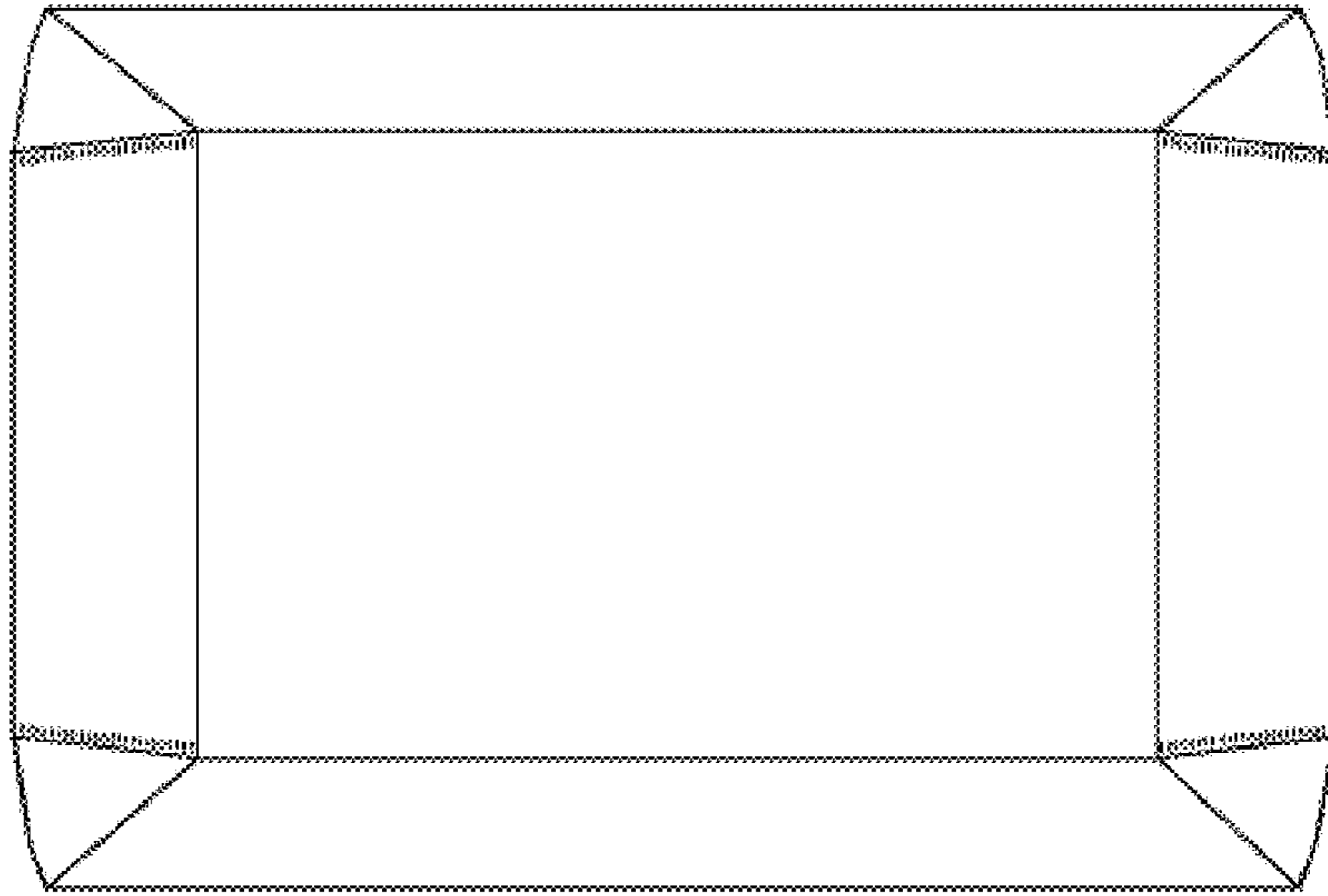


FIG. 3

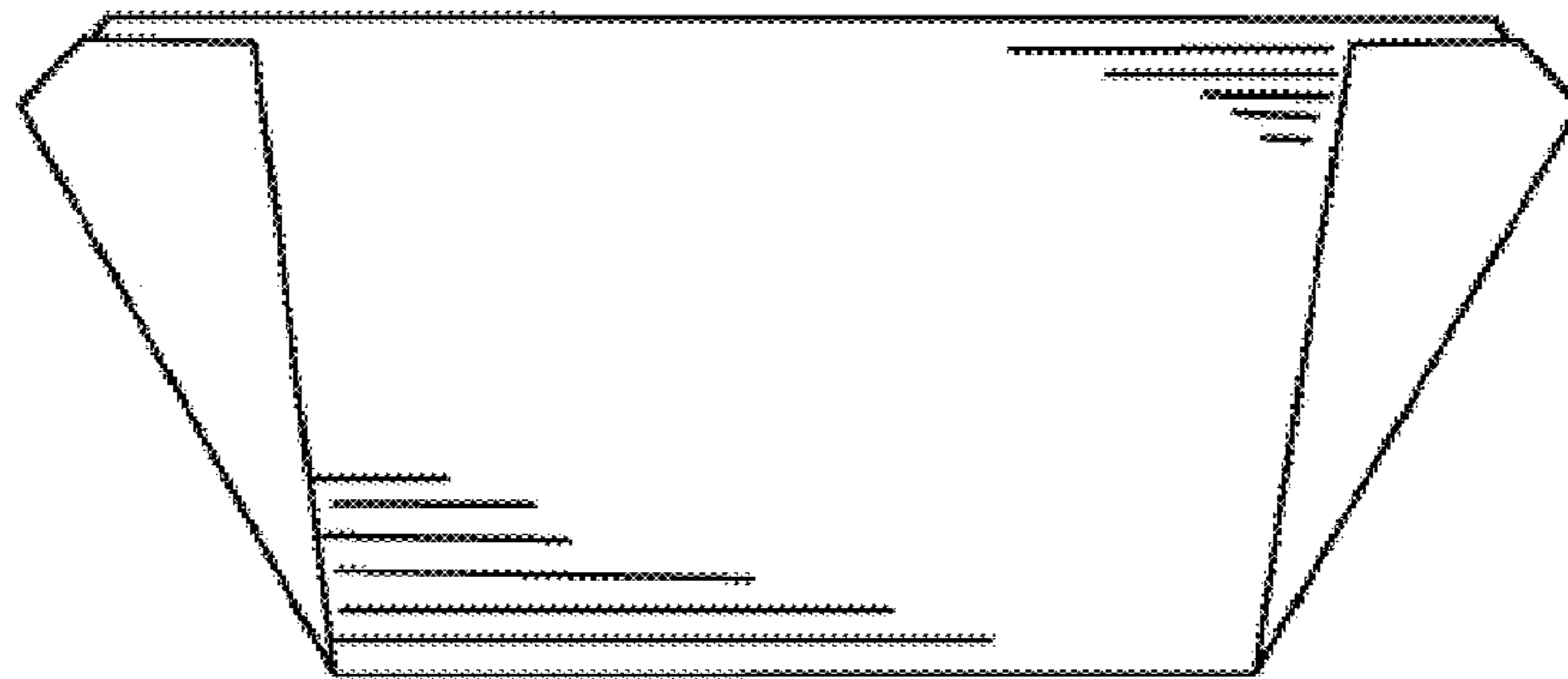


FIG. 4

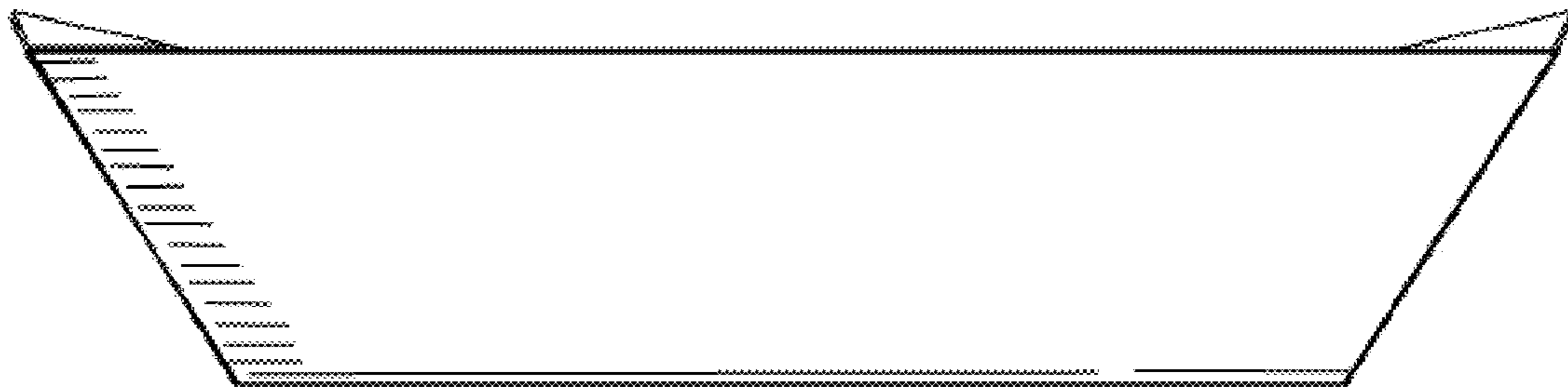


FIG. 5