



US00D775946S

(12) **United States Design Patent**
Ghini et al.

(10) **Patent No.:** **US D775,946 S**
(45) **Date of Patent:** **** Jan. 10, 2017**

(54) **PACKAGE FOR FOOD PRODUCTS**

(71) Applicant: **G.D S.p.A.**, Bologna (IT)

(72) Inventors: **Marco Ghini**, Monte San Pietro (IT);
Luca Paradiso, Corciano (IT); **Andrea Biondi**, Bologna (IT)

(73) Assignee: **G.D. S.P.A.**, Bologna (IT)

(**) Term: **15 Years**

(21) Appl. No.: **29/540,909**

(22) Filed: **Sep. 29, 2015**

(30) **Foreign Application Priority Data**

Mar. 30, 2015 (IT) BO2015O0013

(51) **LOC (10) Cl.** **09-03**

(52) **U.S. Cl.**
USPC **D9/430**

(58) **Field of Classification Search**
USPC .. D9/430, 414, 432, 524, 516, 433; D7/543,
D7/545, 602
CPC B65D 1/00; B65D 5/4291; B65D 5/38;
A47F 5/11
See application file for complete search history.

(56) **References Cited**

U.S. PATENT DOCUMENTS

D394,385 S * 5/1998 Laughlin D9/431
6,422,032 B1 * 7/2002 Greene F25D 3/08
62/457.2
D502,871 S * 3/2005 Ghini D9/430
D503,616 S * 4/2005 Ghini D9/430
D521,373 S * 5/2006 Stanton D9/430
D521,376 S * 5/2006 Mosto D9/430
D562,129 S * 2/2008 Kortsmid D9/430

D563,155 S * 3/2008 Wyllie D7/387
D616,300 S * 5/2010 Shaikh D9/430
D682,684 S * 5/2013 Walter D9/434
D691,471 S * 10/2013 Walter D9/434
D699,105 S * 2/2014 Franic D9/431
D715,640 S * 10/2014 Okezawa D9/430
D740,656 S * 10/2015 Stewart D9/432
D753,993 S * 4/2016 Simmons D9/430
D754,479 S * 4/2016 Tae D7/509
2005/0103043 A1 * 5/2005 McCrory F25D 3/08
62/457.2

* cited by examiner

Primary Examiner — Cynthia Underwood

(74) *Attorney, Agent, or Firm* — Shuttleworth & Ingersoll, PLC; Timothy J. Klima

(57) **CLAIM**

The ornamental design for package for food products, as shown and described.

DESCRIPTION

FIG. 1 is a perspective view of a first embodiment of a package for food products, showing our new design;
FIG. 2 is a front view thereof;
FIG. 3 is a rear view thereof;
FIG. 4 is a right side view thereof;
FIG. 5 is a left side view thereof;
FIG. 6 is a bottom view thereof;
FIG. 7 is a top view thereof;
FIG. 8 is a perspective view of a second embodiment of a package for food products, according the invention;
FIG. 9 is a front view thereof;
FIG. 10 is a rear view thereof;
FIG. 11 is a right side view thereof;
FIG. 12 is a left side view thereof;
FIG. 13 is a bottom view thereof; and,
FIG. 14 is a top view thereof.

1 Claim, 14 Drawing Sheets

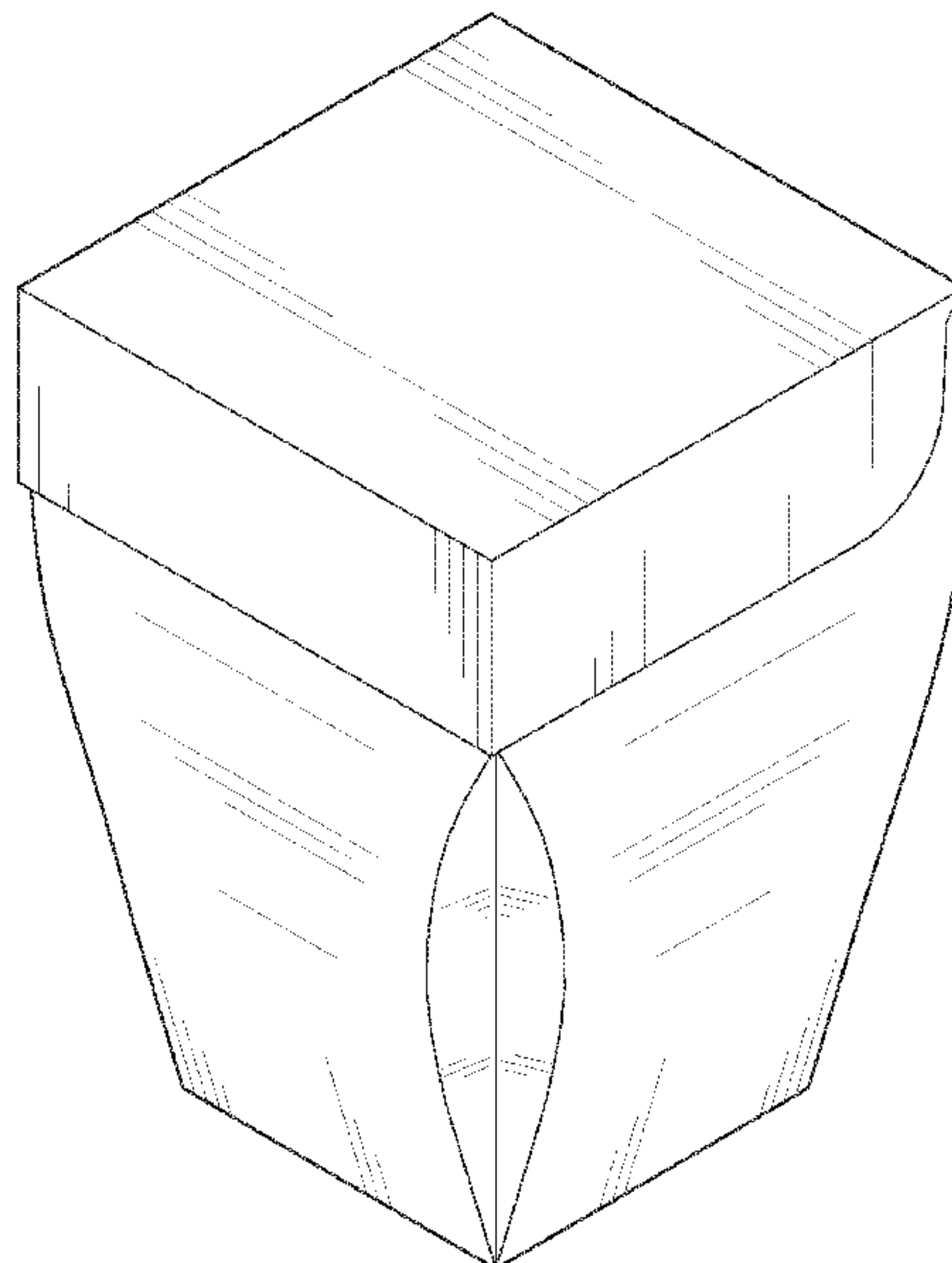


FIG. 1

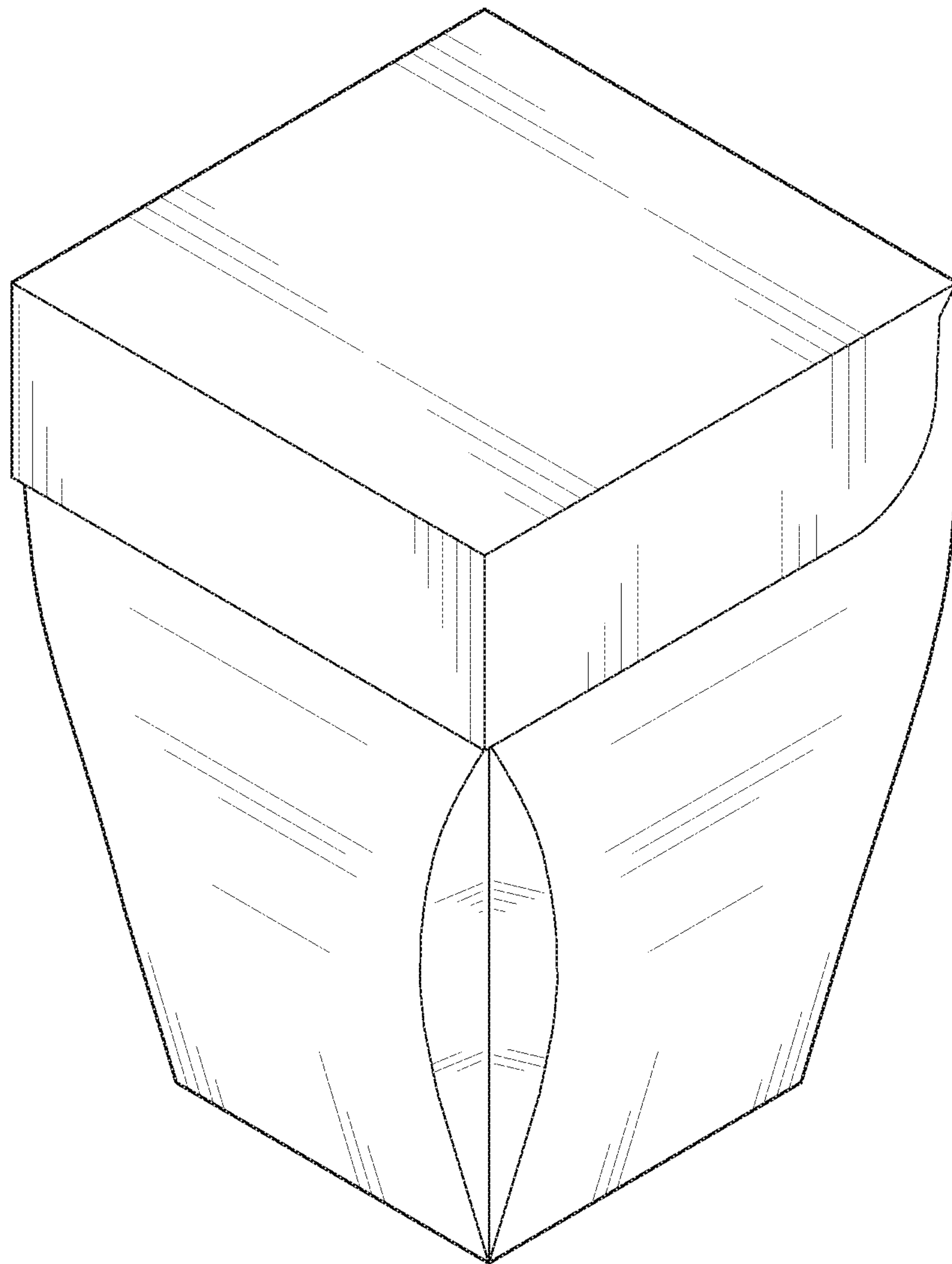


FIG. 2

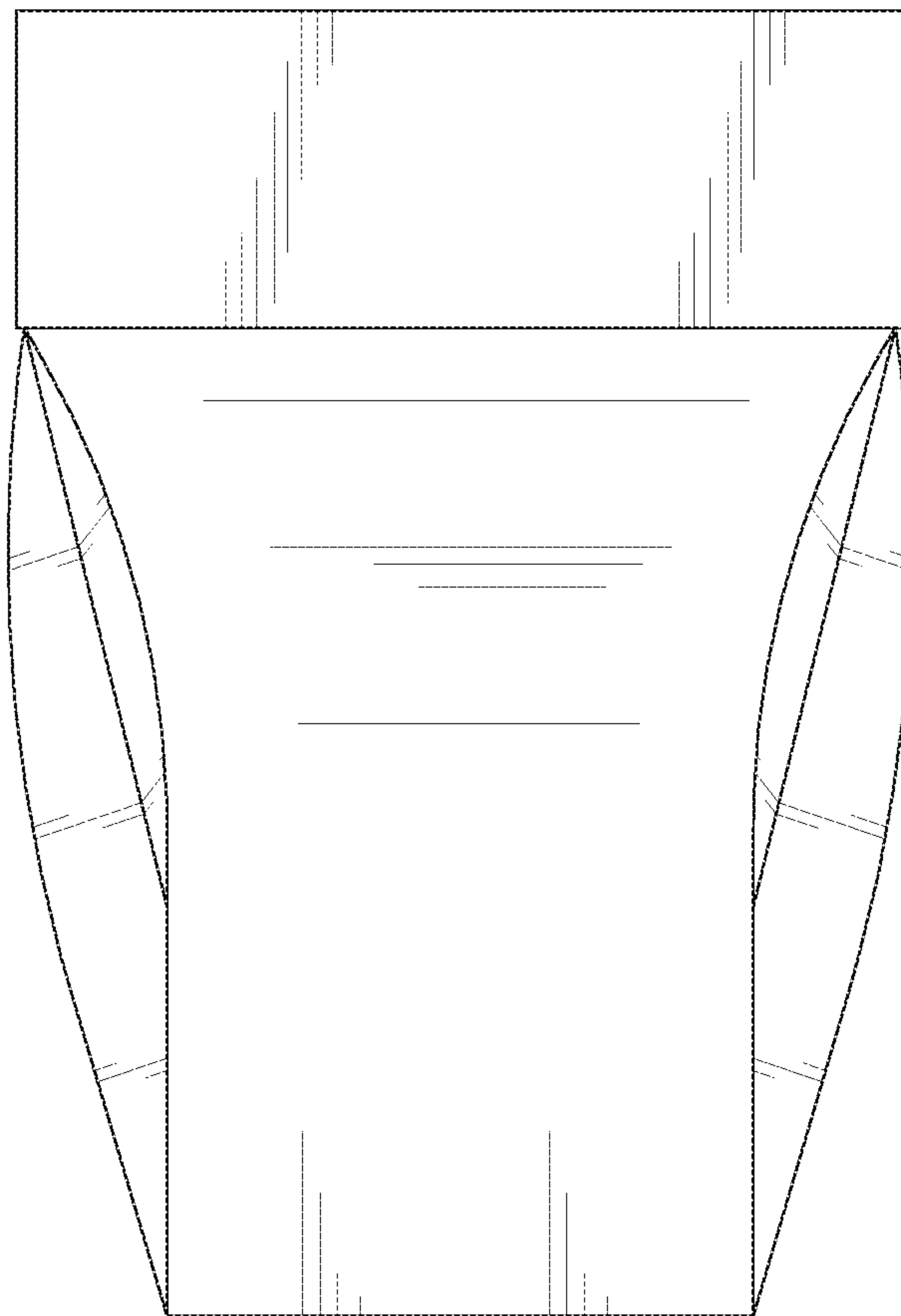


FIG. 3

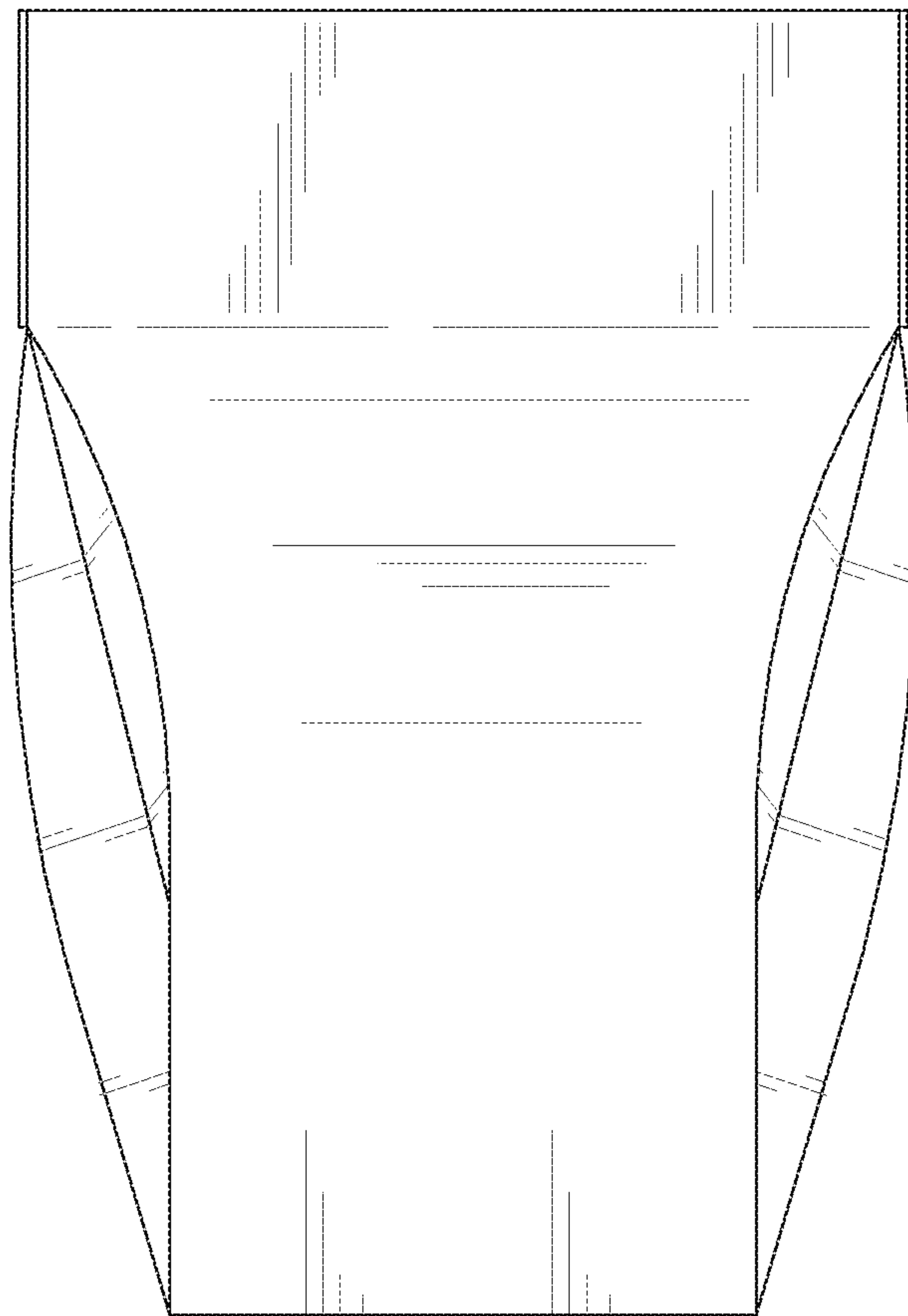


FIG. 4

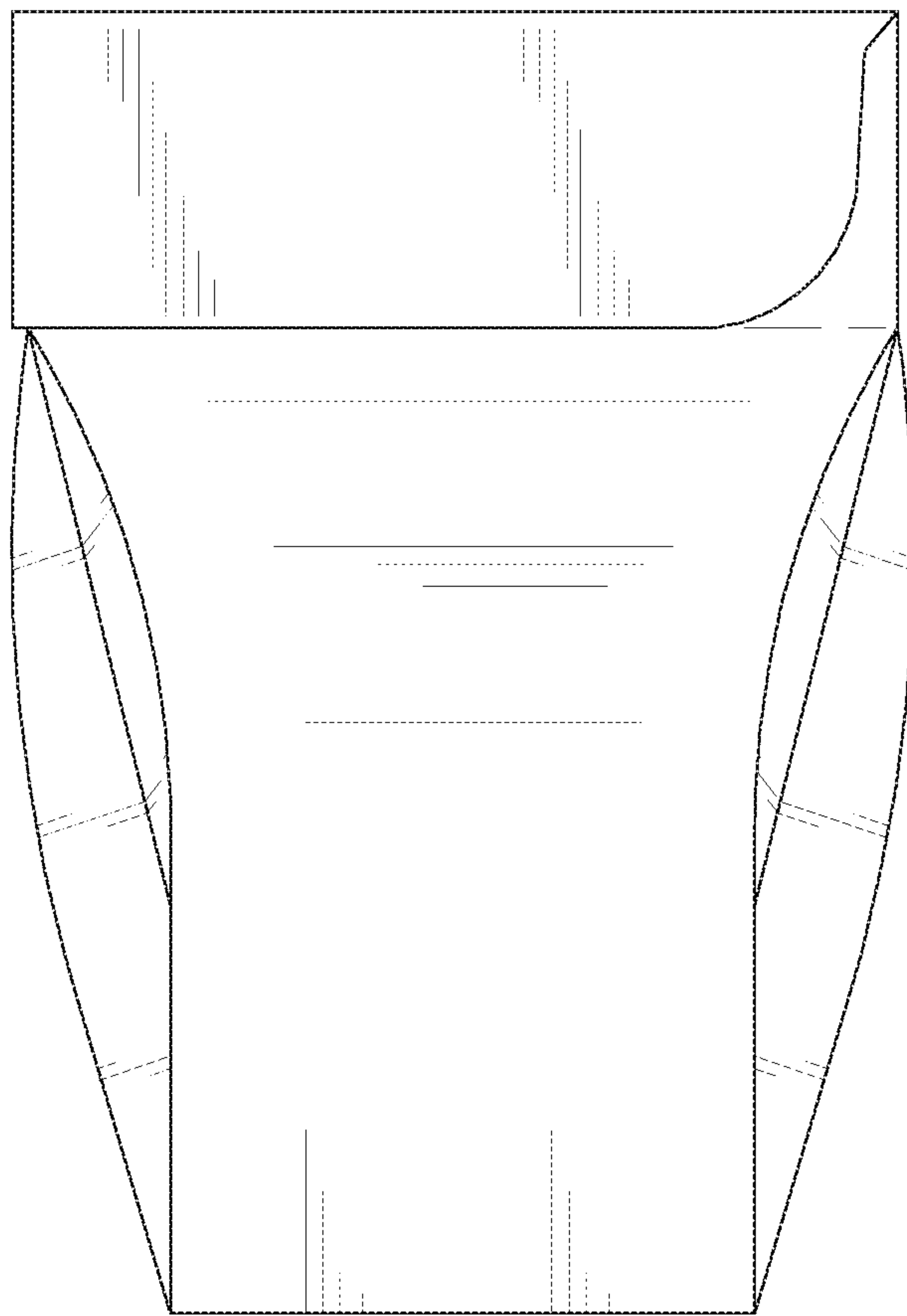


FIG. 5

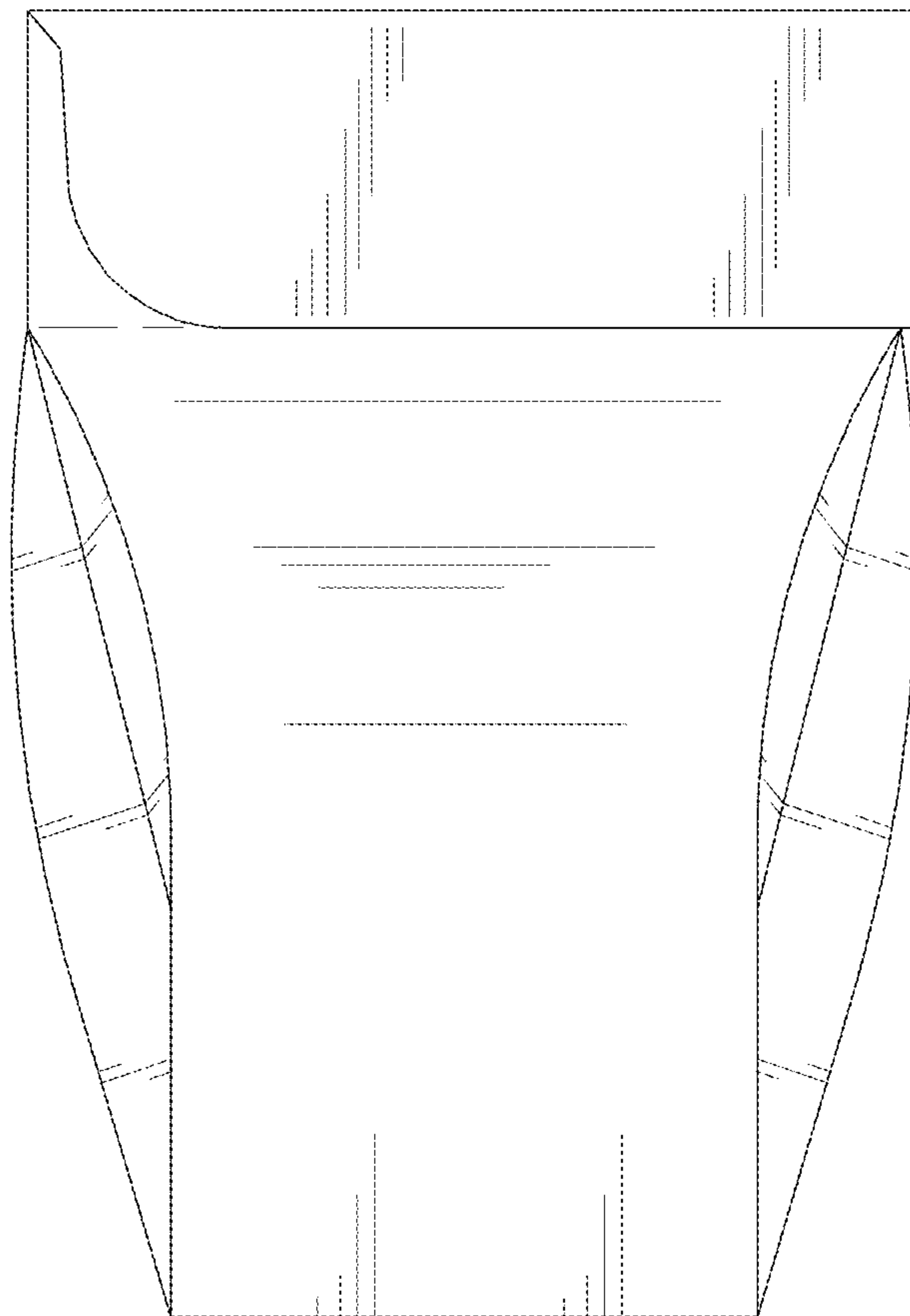


FIG. 6

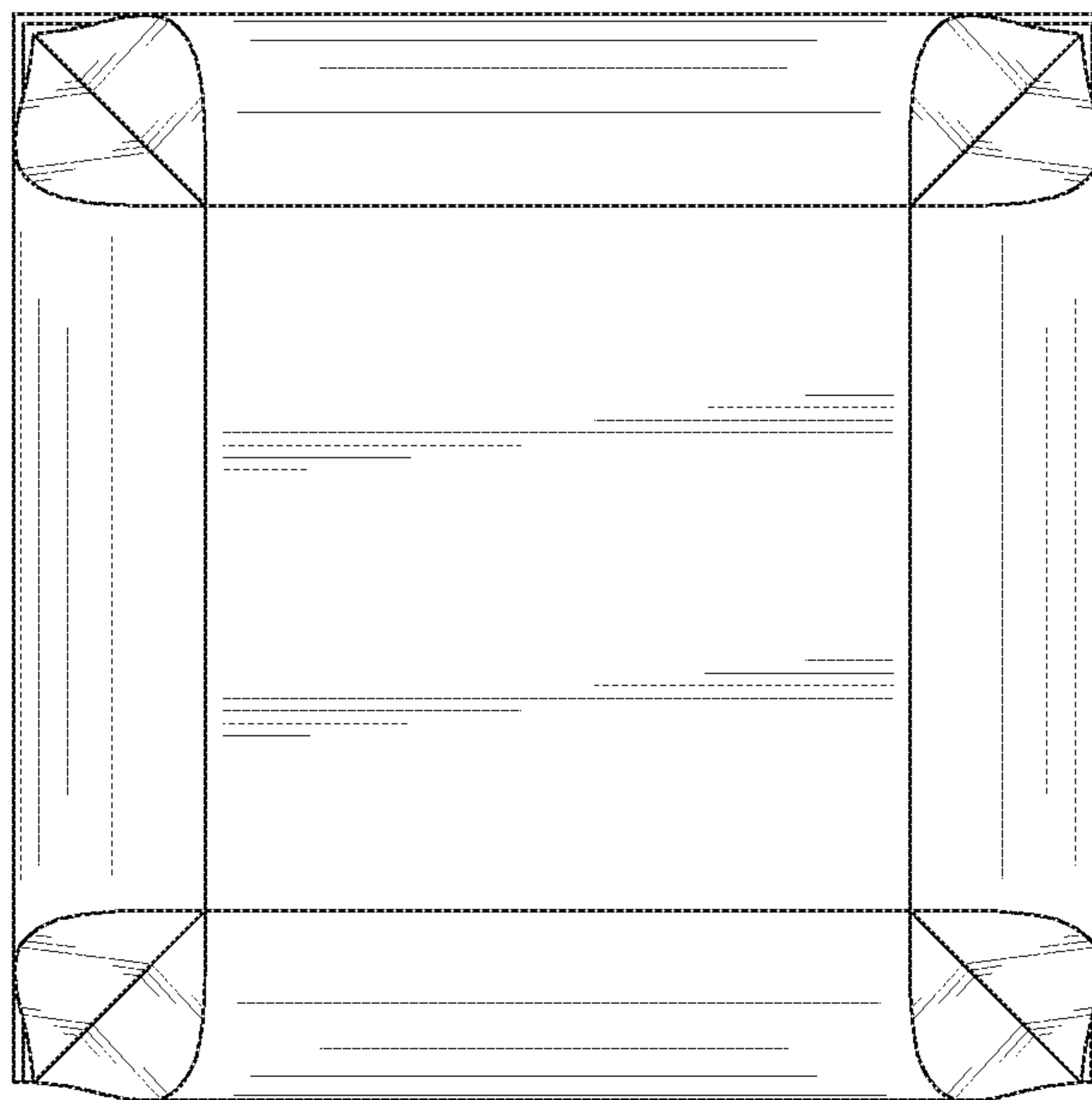


FIG. 7

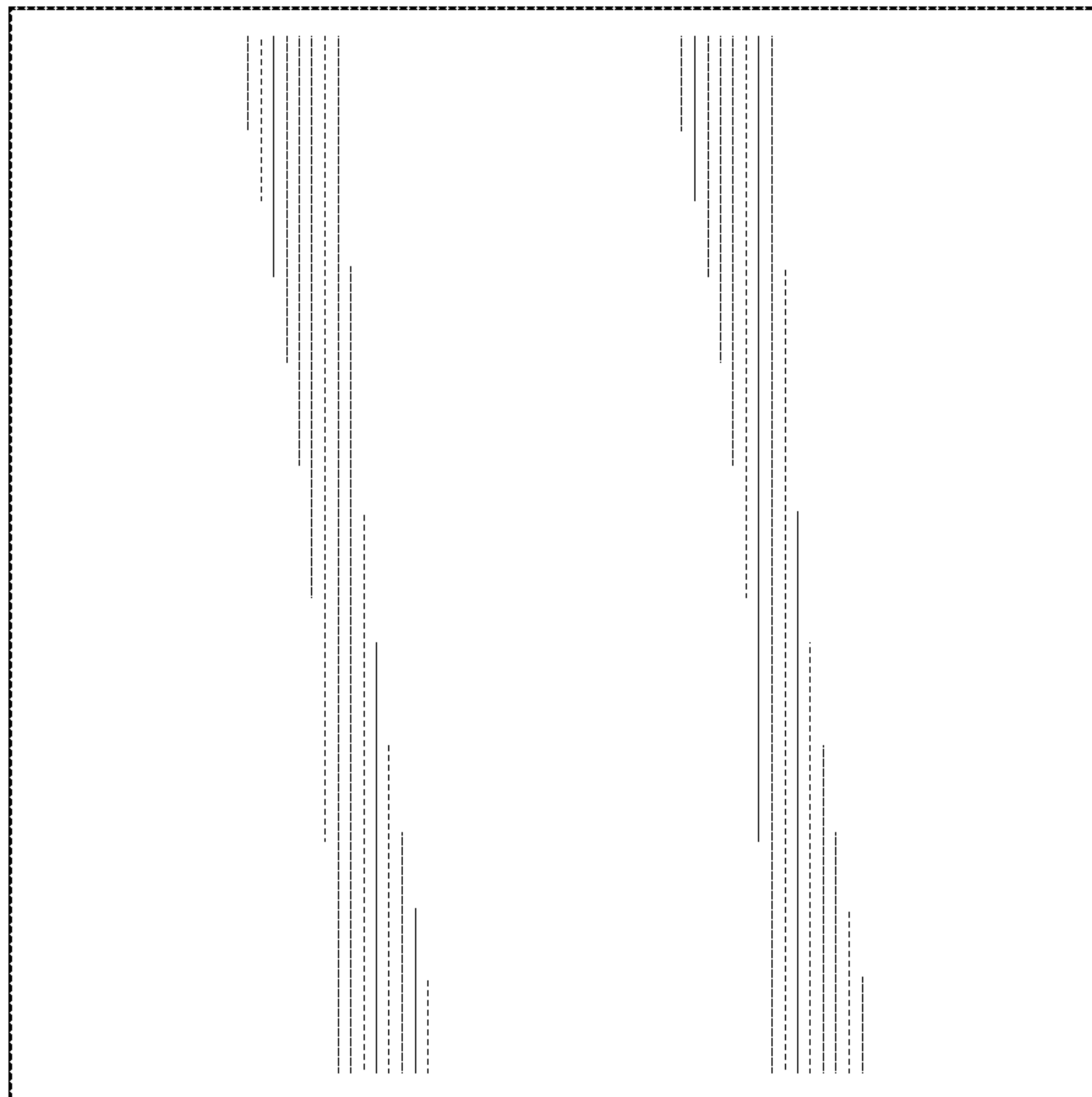


FIG. 8

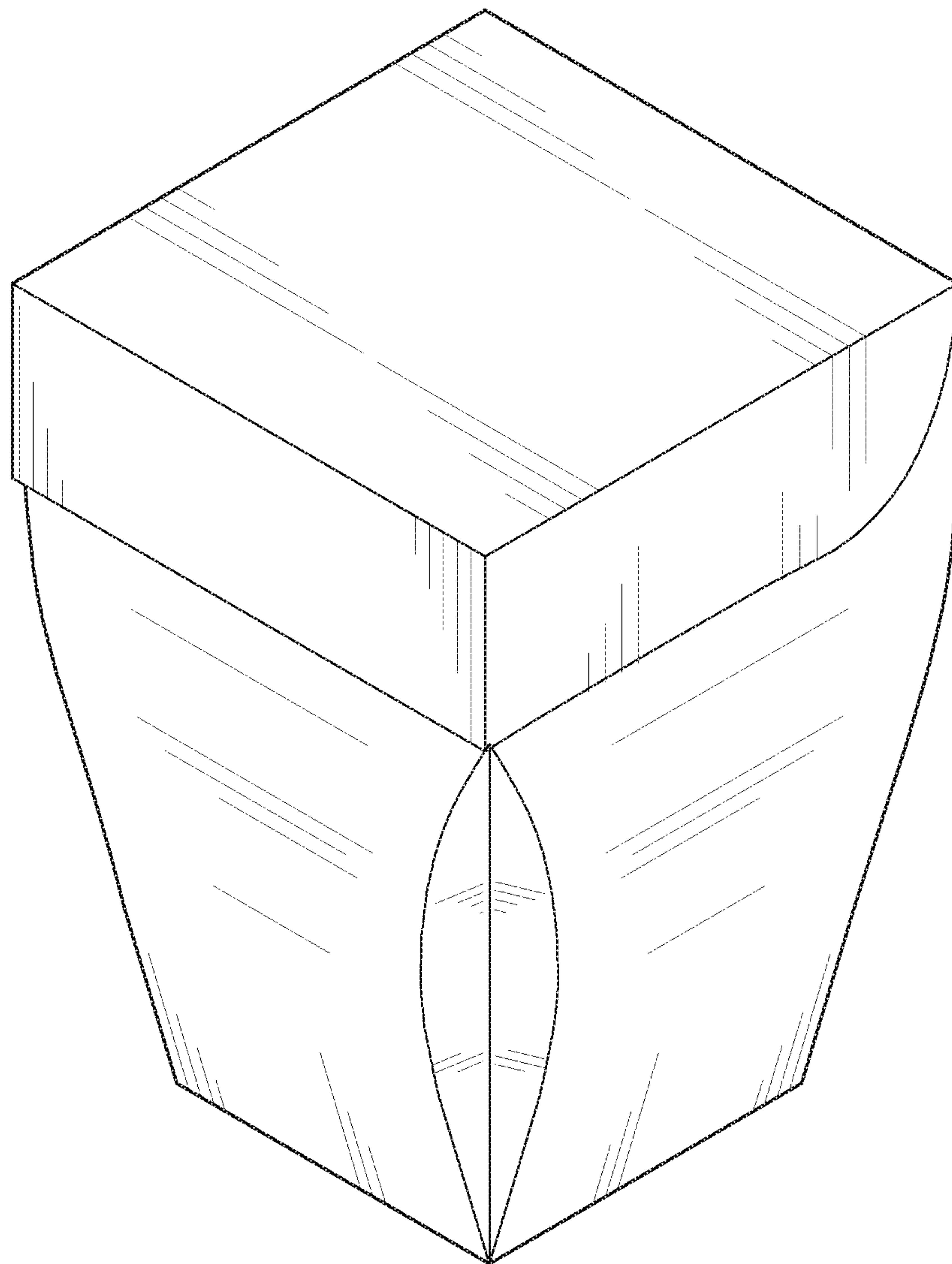


FIG. 9

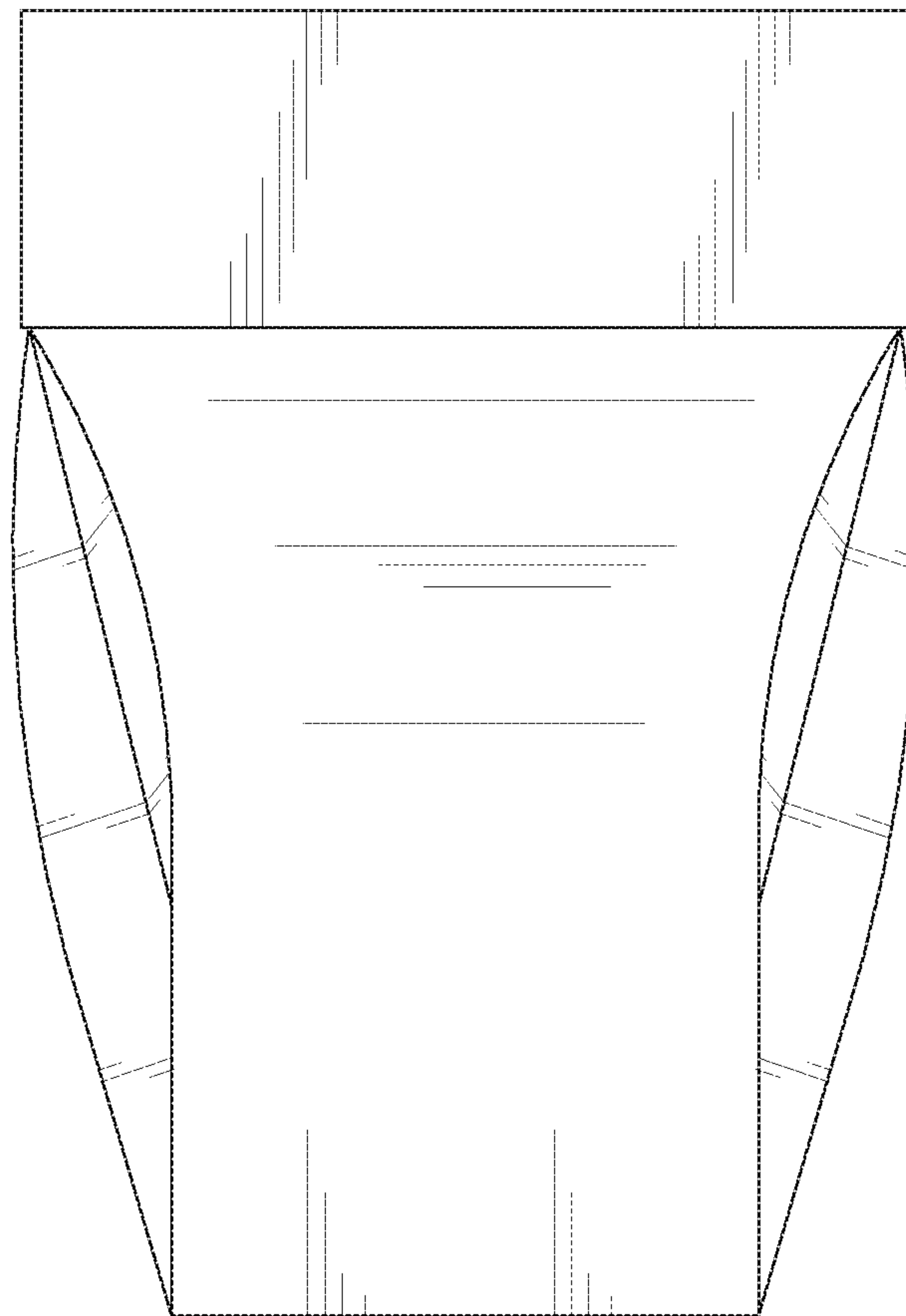


FIG. 10

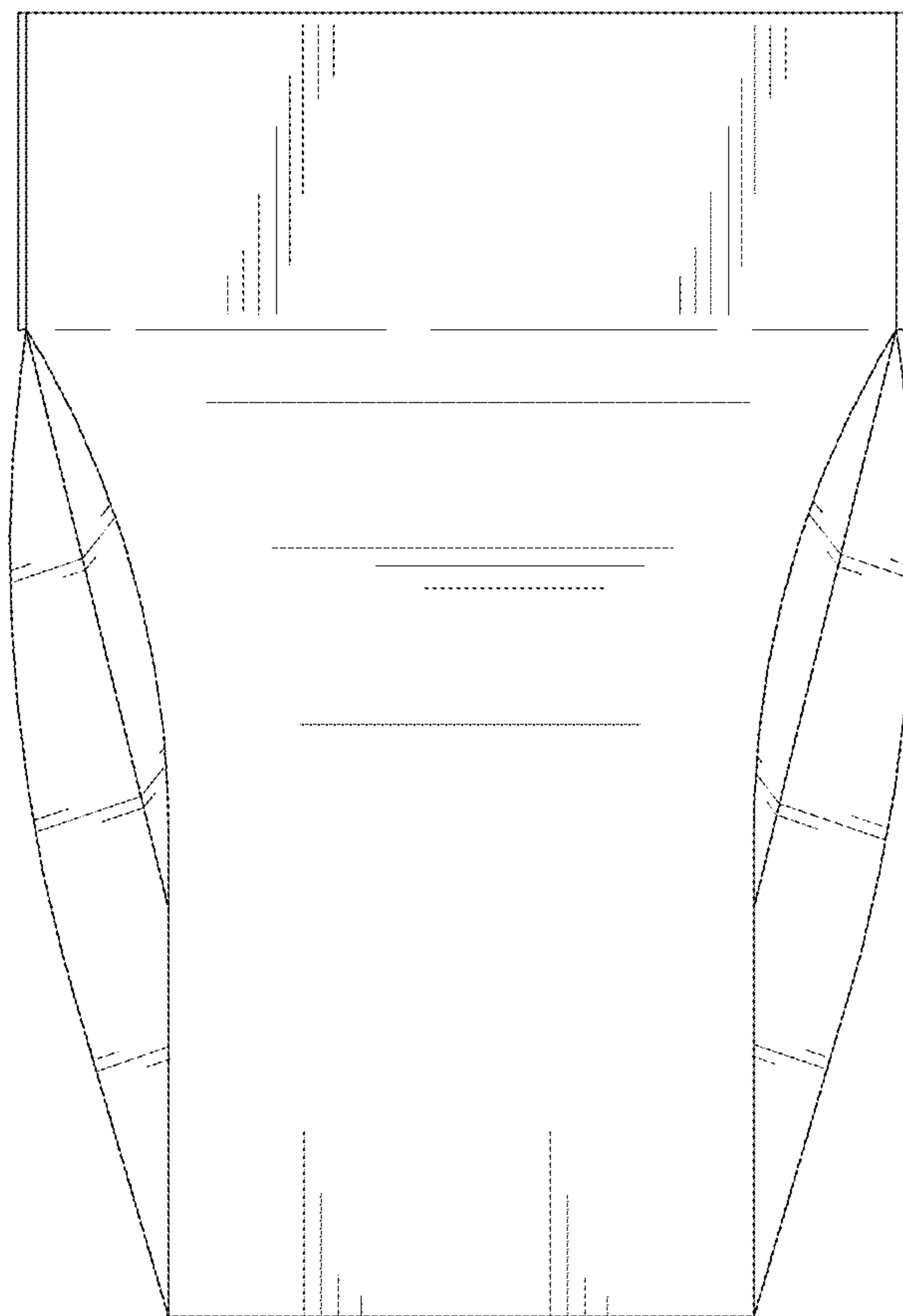


FIG. 11

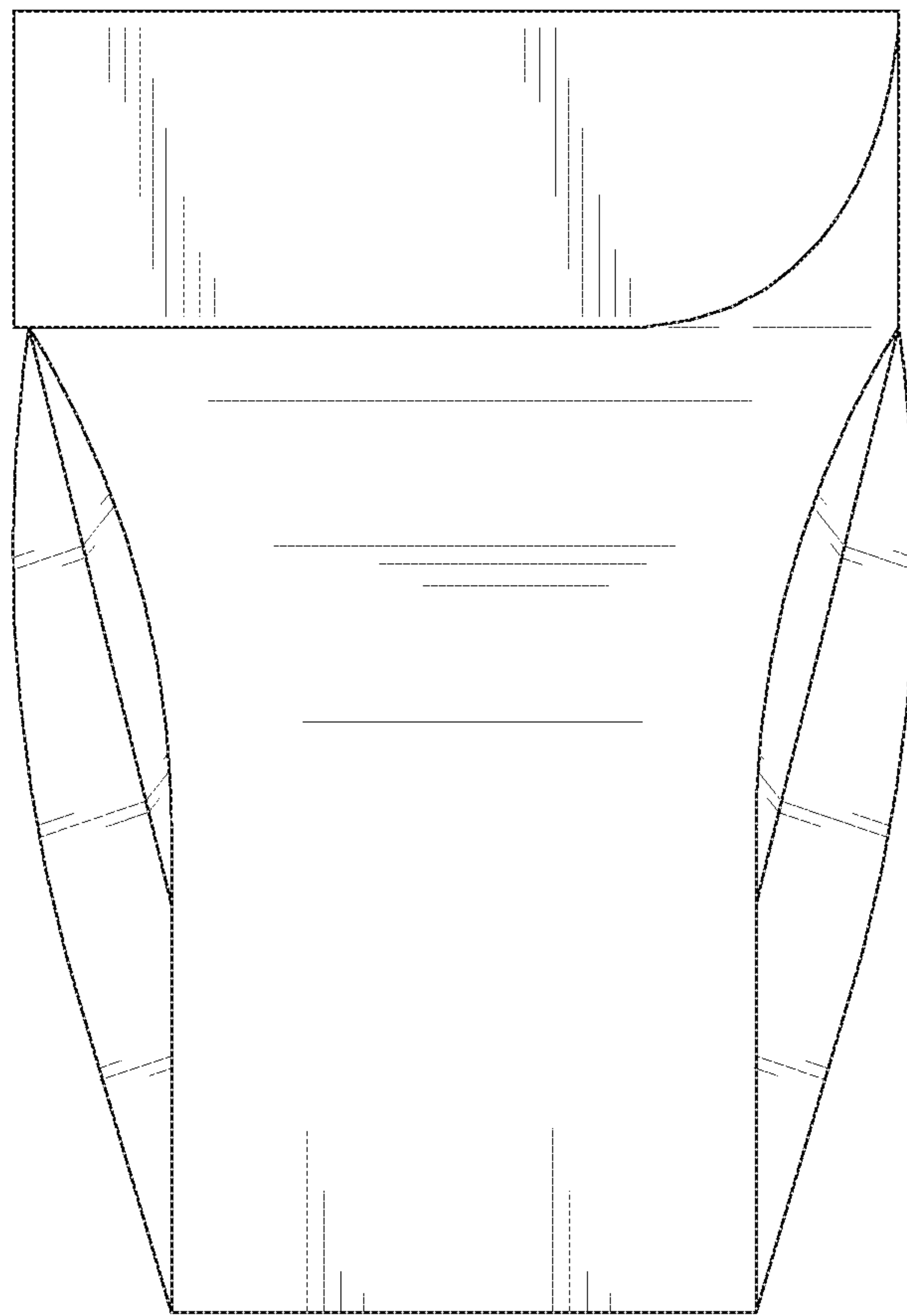


FIG. 12

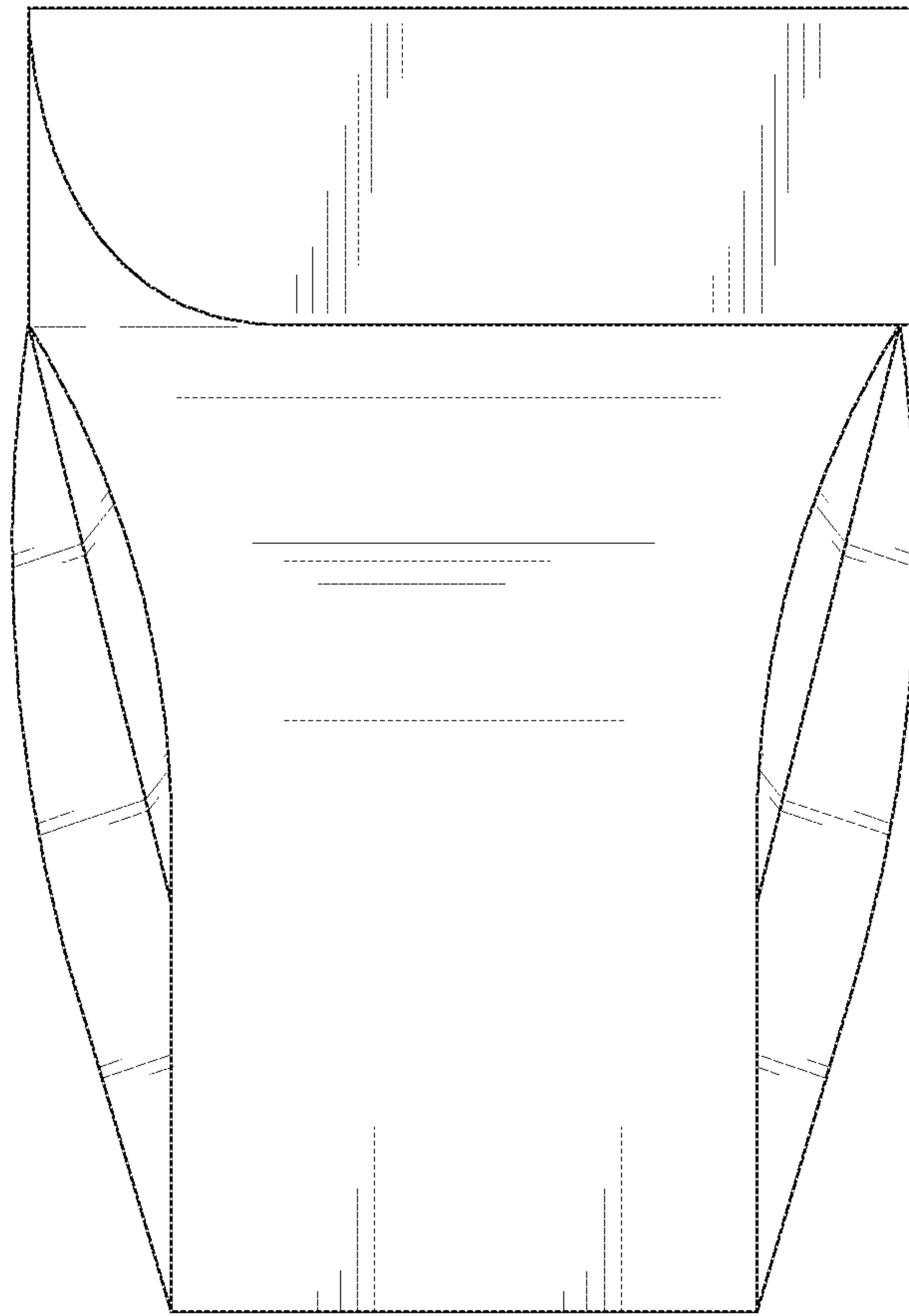


FIG. 13

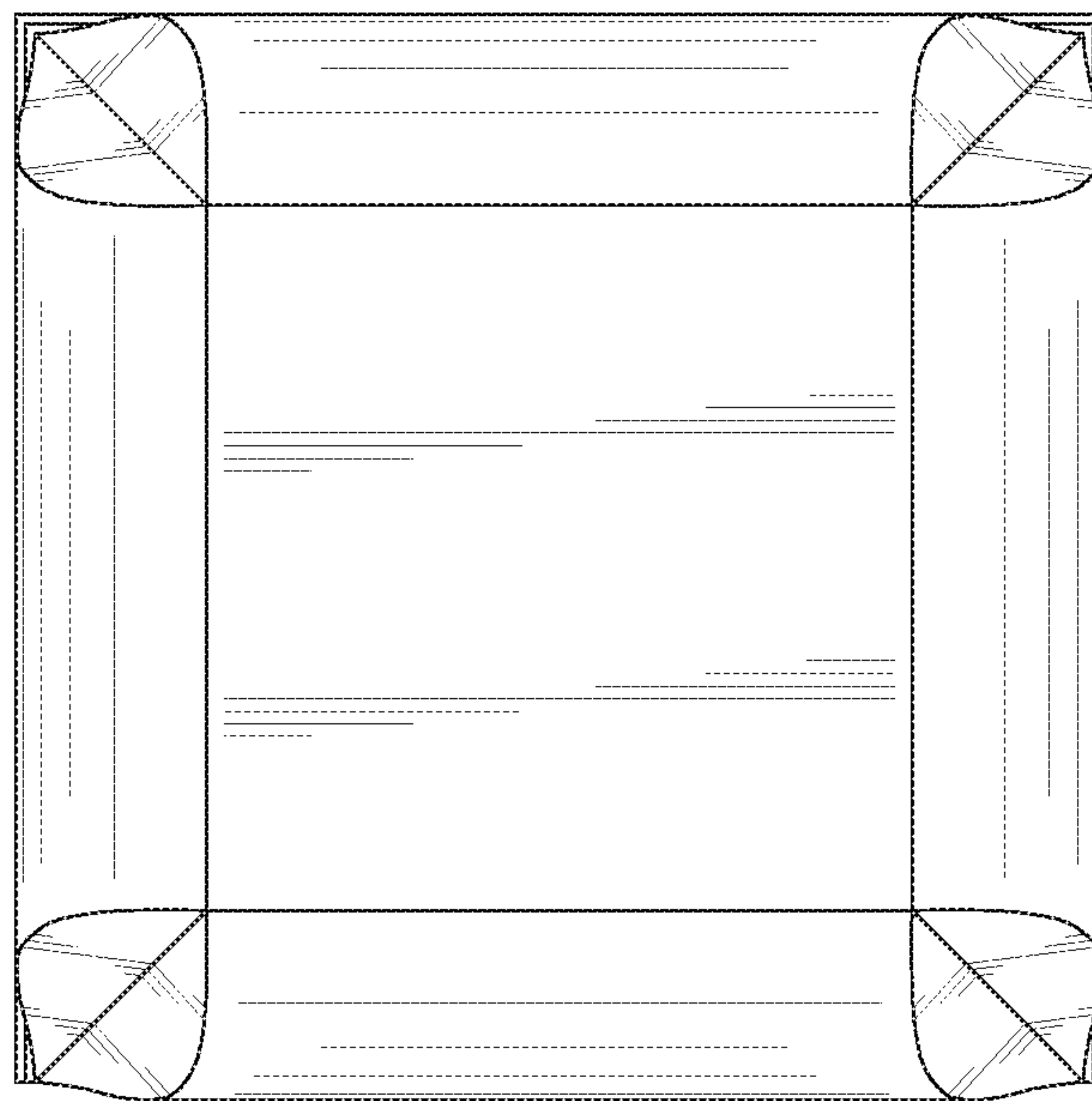


FIG. 14

