



US00D775945S

(12) **United States Design Patent** (10) **Patent No.:** **US D775,945 S**
DiChiara et al. (45) **Date of Patent:** **** Jan. 10, 2017**

(54) **PACKAGE**
(71) Applicant: **GlaxoSmithKline, LLC**, Philadelphia, PA (US)
(72) Inventors: **Leonard Joseph DiChiara**, Chatham, NJ (US); **David Michael Lutness**, Hillsborough, NJ (US); **Jeffrey Scott Brunner**, Parsippany, NJ (US); **Peter Kay**, Harlow (GB); **James Andrew Holt**, Worthing (GB)
(73) Assignee: **GlaxoSmithKline, LLC**, Wilmington, DE (US)

D329,600 S * 9/1992 LaJoie D9/418
D331,012 S * 11/1992 Karita et al. D9/415
D378,570 S * 3/1997 MacEachern D9/415
D408,279 S * 4/1999 Fracassi et al. D9/415
D408,280 S * 4/1999 Manley et al. D9/415
D416,483 S * 11/1999 Manley et al. D9/415
D437,216 S * 2/2001 Saputo et al. D9/415
D449,780 S * 10/2001 Corella D9/415
D451,382 S * 12/2001 Adkins D9/415
D454,782 S * 3/2002 Kropf et al. D9/414
D504,811 S * 5/2005 Haingaertner D9/415
D541,646 S * 5/2007 Hayes et al. D9/415
D556,565 S * 12/2007 Nazari D9/418
D584,606 S * 1/2009 Wintmolders et al. D9/415
D596,023 S * 7/2009 Moskowitz D9/418
D623,935 S * 9/2010 Kim et al. D9/415

(Continued)

(**) Term: **14 Years**

Primary Examiner — Karen S Acker
Assistant Examiner — Wendy Arminio

(21) Appl. No.: **29/472,343**

(74) *Attorney, Agent, or Firm* — Joshua C. Sanders; Theodore R. Furman

(22) Filed: **Nov. 12, 2013**

(51) **LOC (10) Cl.** **09-03**

(52) **U.S. Cl.**
USPC **D9/425**

(57) **CLAIM**

We claim the ornamental design for a package, as shown and described.

(58) **Field of Classification Search**
USPC D9/414, 415, 416, 419, 420, 421, 424, D9/425, 428, 429, 454; D7/619.1, 629, D7/672; 229/406; 220/656–659, 669–675, 220/912, 4.21–4.27; 206/503, 521.1, 553, 206/557, 541, 564, 775, 776, 217; D3/294
CPC A47J 36/06; A47J 47/14; B65D 1/165; B65D 15/08; B65D 21/083; B65D 21/0234; B65D 43/162; B65D 71/50; B65D 77/24; B65D 81/3869; B65D 2543/00046; B65D 2543/00055; B65D 2543/00083; B65D 2543/00092; B65D 2543/00296
See application file for complete search history.

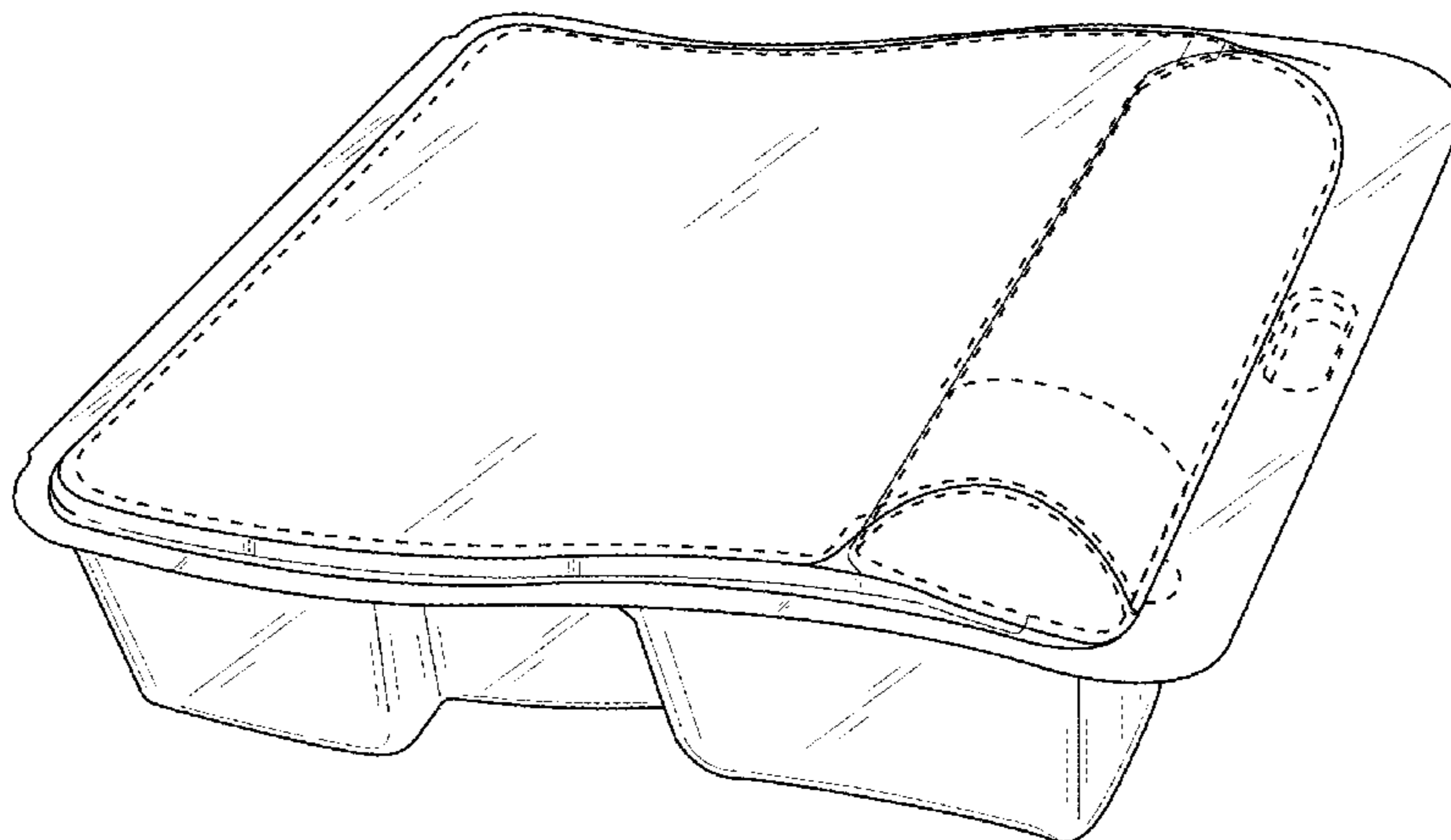
DESCRIPTION

FIG. 1 is a front perspective view of a package;
FIG. 2 is a rear perspective view thereof;
FIG. 3 is a front view thereof;
FIG. 4 is a rear view thereof;
FIG. 5 is a top view thereof;
FIG. 6 is a bottom view thereof;
FIG. 7 is a right side view thereof; and,
FIG. 8 is a left side view thereof.
The broken lines shown in the drawings depict portions of the package that form no part of the claimed design. The broken lines on the front face of the package visible in FIGS. 1, 3 and 4 illustrate an opaque label on the inside of the article and form no part of the claimed design.

(56) **References Cited**
U.S. PATENT DOCUMENTS

D247,222 S * 2/1978 Paone et al. D9/415
D250,092 S * 10/1978 Schoenfield et al. D9/414

1 Claim, 6 Drawing Sheets



(56)

References Cited

U.S. PATENT DOCUMENTS

D653,533 S * 2/2012 Brachman et al. D9/415
D691,880 S * 10/2013 Larson et al. D9/424
D703,551 S * 4/2014 Kirchmayr et al. D9/732
D708,056 S * 7/2014 Larson et al. D9/424
2005/0092644 A1* 5/2005 Cafferata et al. 206/471

* cited by examiner

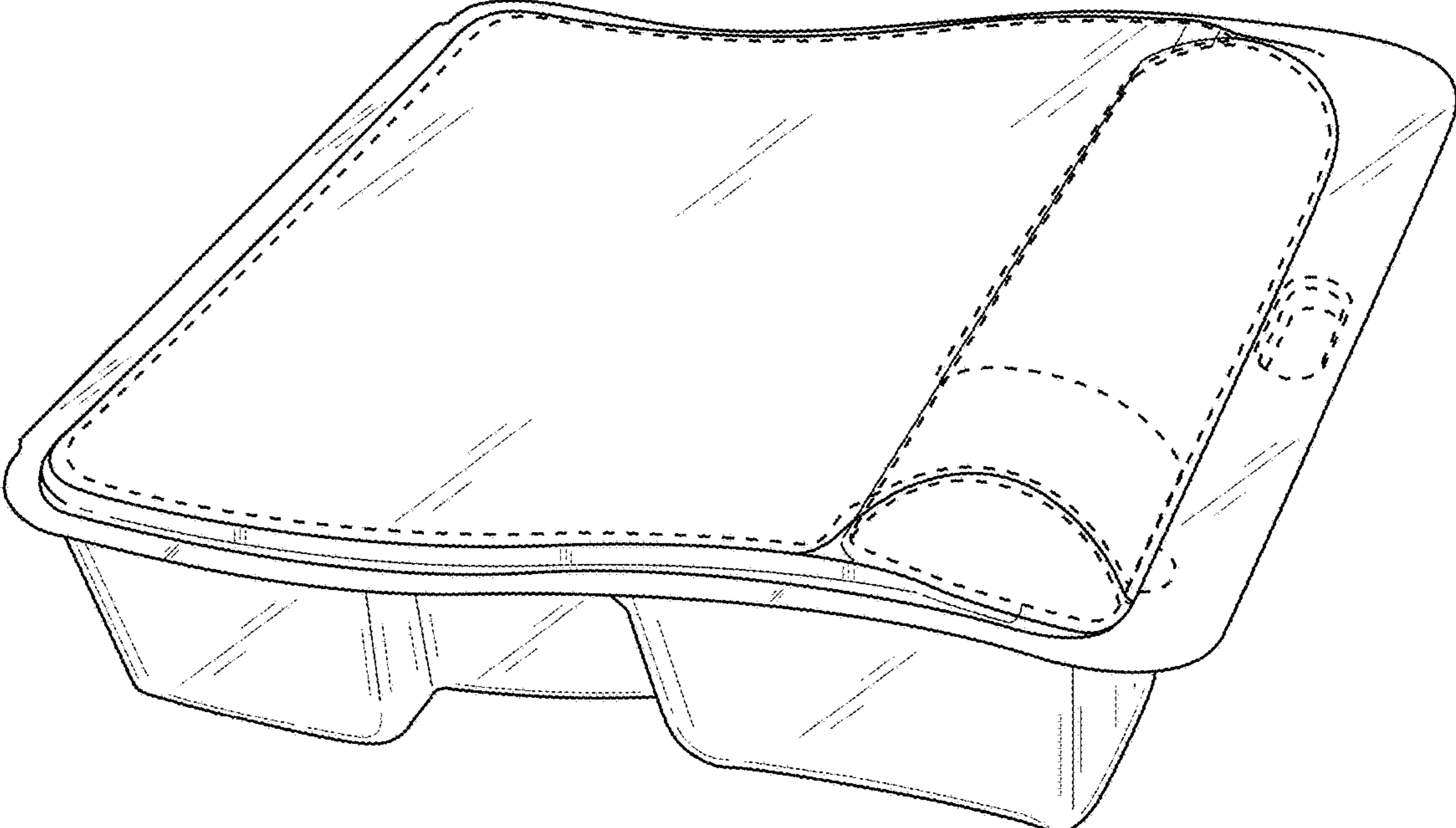


FIG. 1

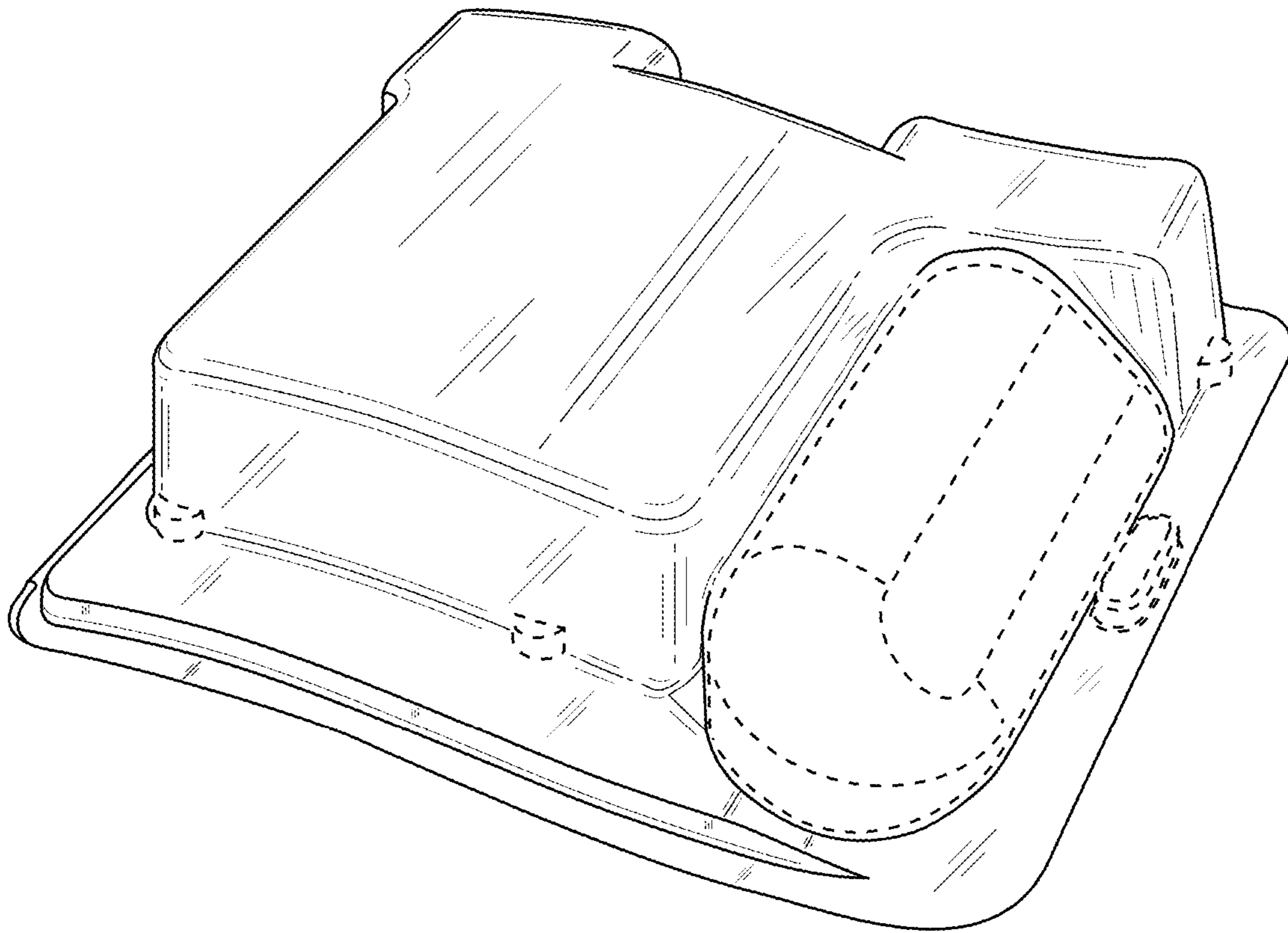


FIG. 2

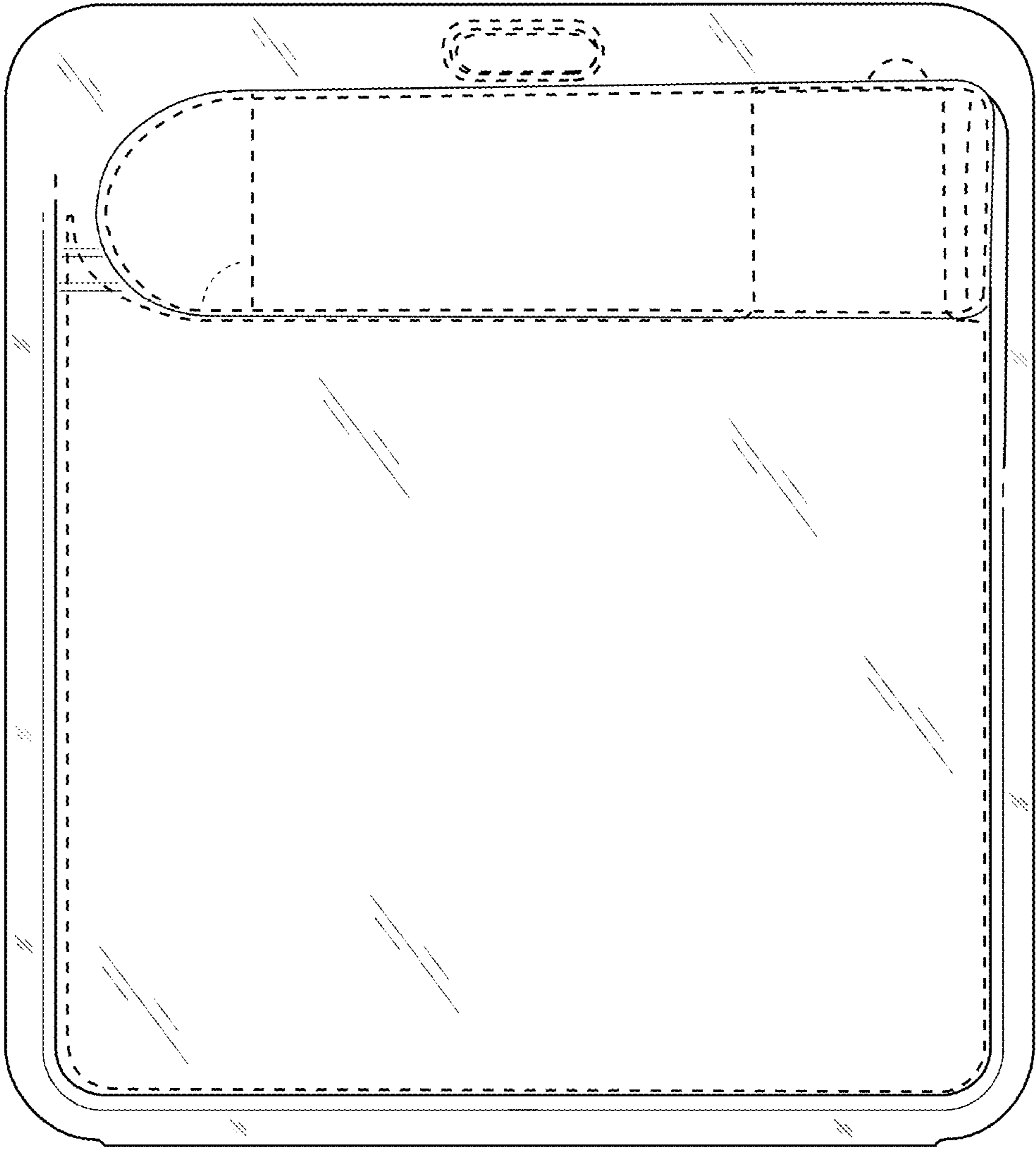


FIG. 3

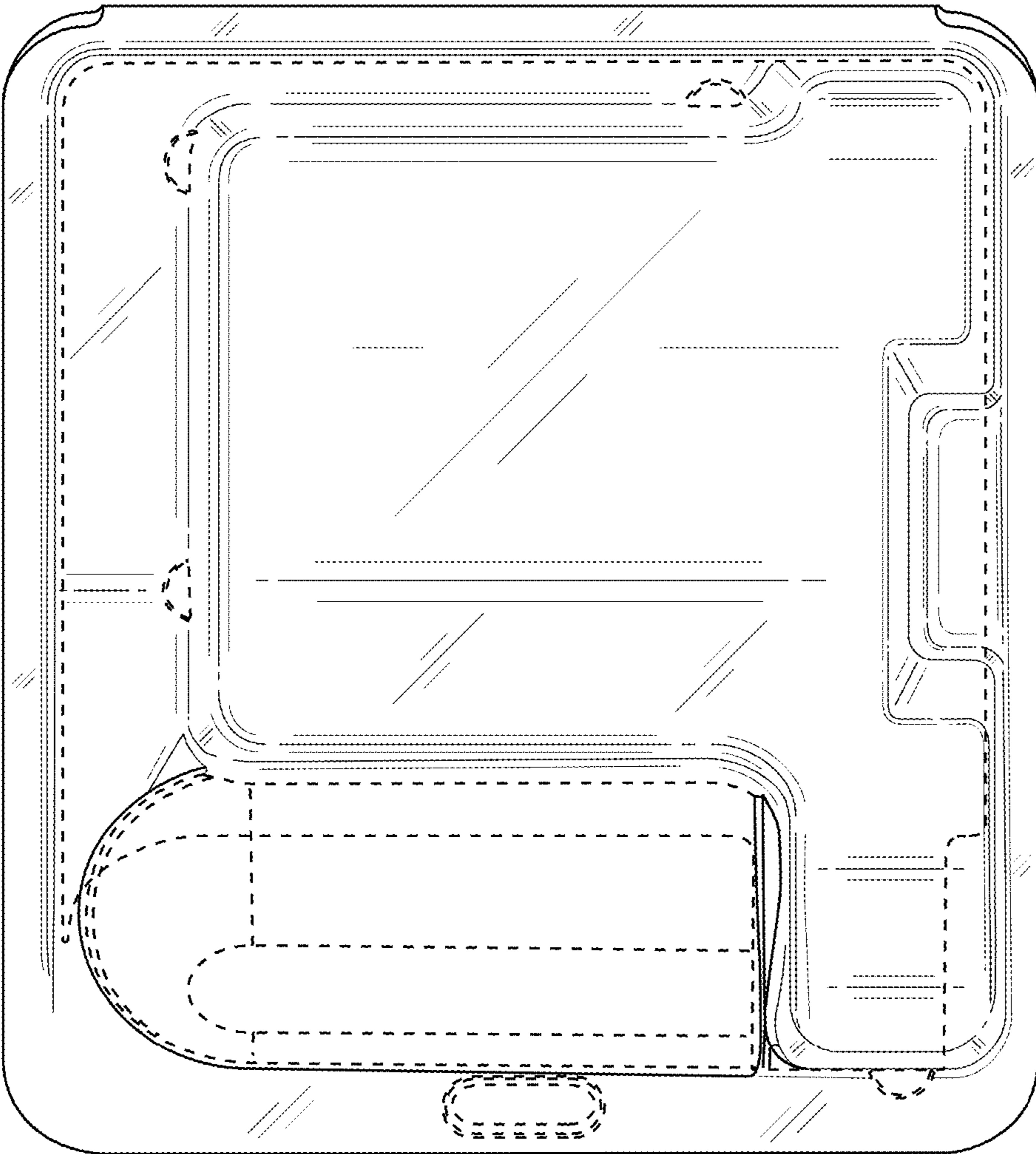


FIG. 4

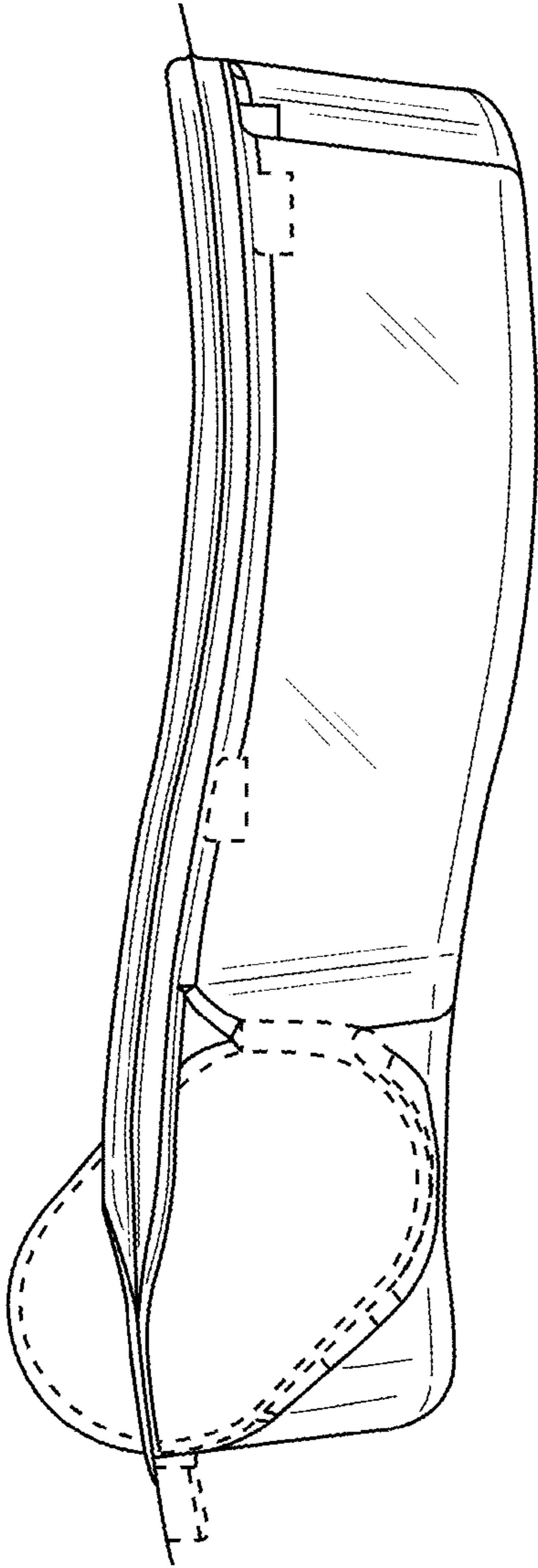


FIG. 5

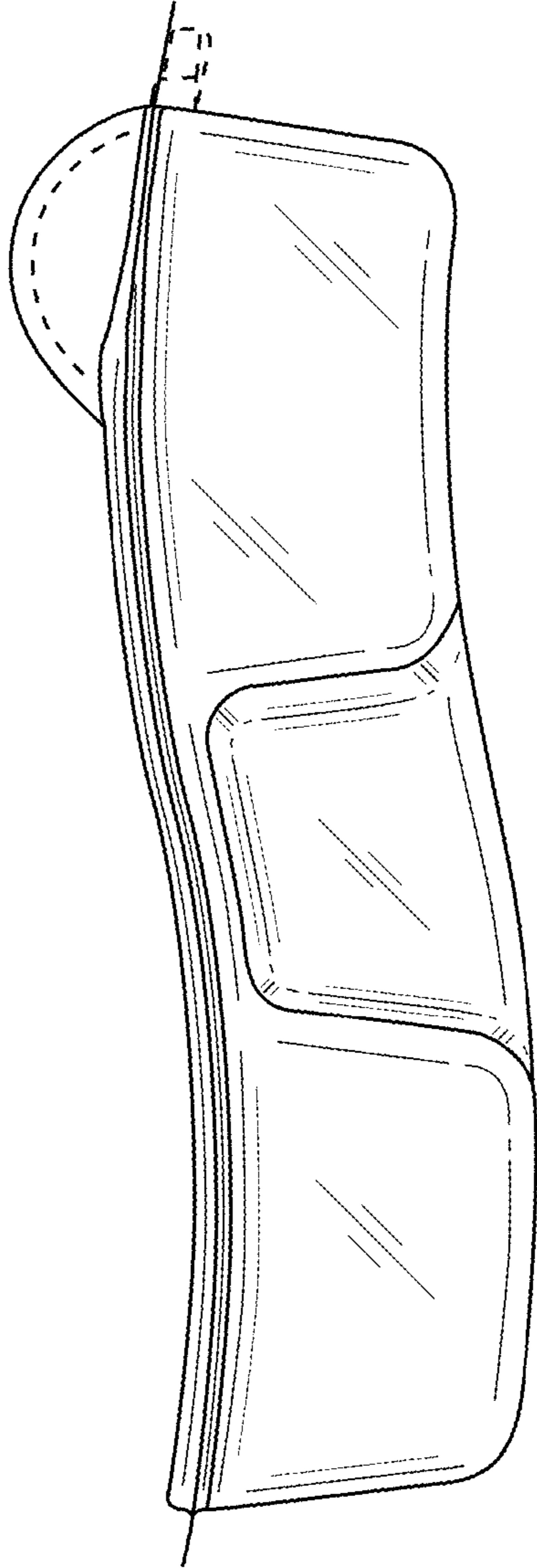


FIG. 6

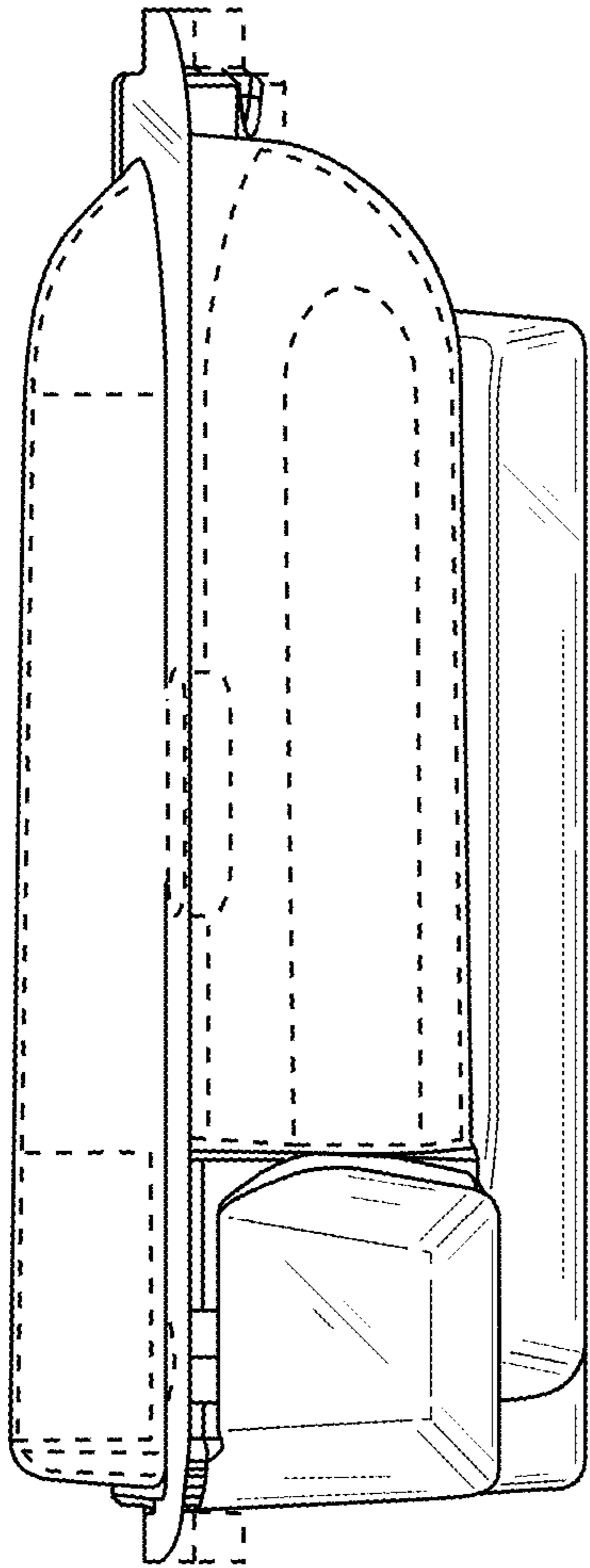


FIG. 7

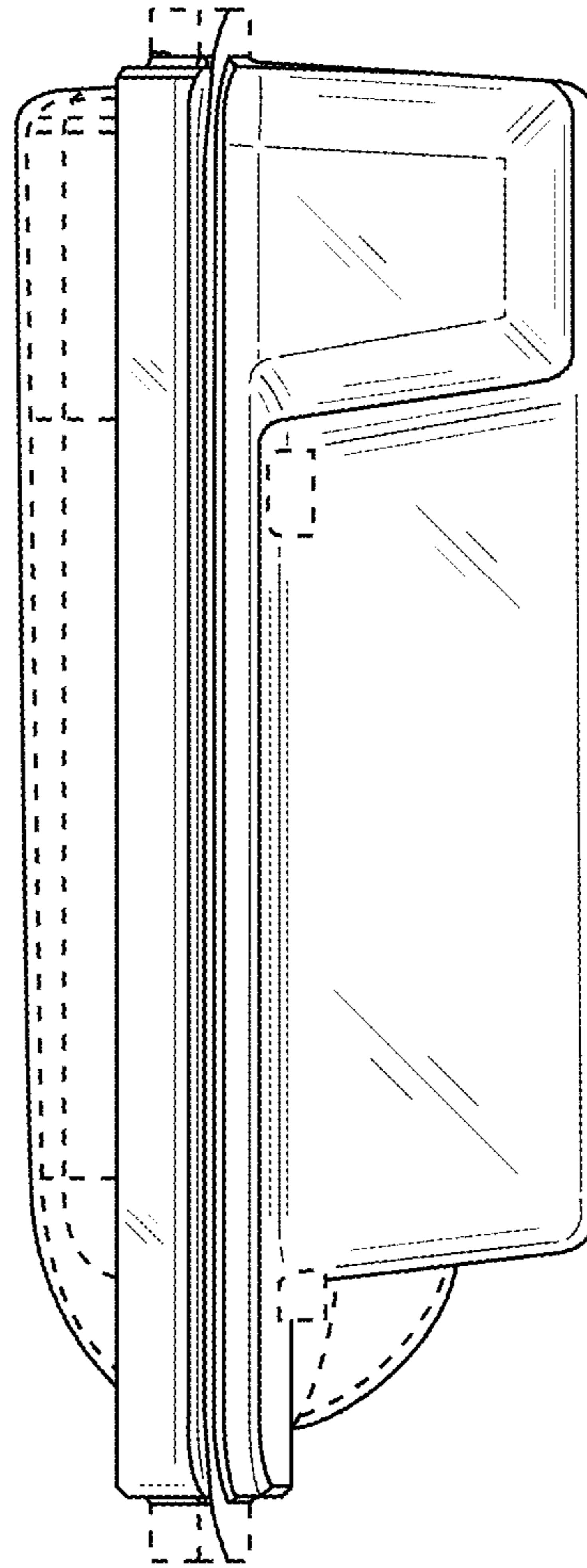


FIG. 8