



US00D775944S

(12) **United States Design Patent** (10) **Patent No.:** **US D775,944 S**  
**Marchitto et al.** (45) **Date of Patent:** **\*\* Jan. 10, 2017**

(54) **PACKET FOR TOBACCO PRODUCTS**

FOREIGN PATENT DOCUMENTS

(71) Applicant: **G.D S.p.A.**, Bologna (IT)  
(72) Inventors: **Giuseppe Marchitto**, Lugo di Romagna (IT); **Lorena D'Alfonso**, Lettomanoppello (IT); **Stefano Negrini**, Calderara di Reno (IT)

DE 102008061661 6/2010  
IT BO98A000008 1/1998  
WO 0144077 6/2001

(73) Assignee: **G.D S.P.A.**, Bologna (IT)

(\*\*) Term: **14 Years**

(21) Appl. No.: **29/511,696**

(22) Filed: **Dec. 12, 2014**

**Related U.S. Application Data**

(63) Continuation of application No. 14/384,573, filed as application No. PCT/IB2013/055063 on Jun. 20, 2013.

(30) **Foreign Application Priority Data**

Jun. 20, 2012 (IT) ..... BO2012A0341

(51) **LOC (10) Cl.** ..... **09-03**

(52) **U.S. Cl.**  
USPC ..... **D9/414**

(58) **Field of Classification Search**  
USPC D9/414-418, 430, 432, 423, 420; D27/189;  
D7/629; D3/274; 206/256

(Continued)

(56) **References Cited**

**U.S. PATENT DOCUMENTS**

5,277,304 A \* 1/1994 Brizzi ..... B65D 85/1045  
206/256  
5,277,315 A \* 1/1994 Plein ..... A24F 15/18  
206/256

(Continued)

OTHER PUBLICATIONS

International Search Report dated Jan. 31, 2014 from counterpart application No. PCT/IB2013/055063.

*Primary Examiner* — Rhea Shields

(74) *Attorney, Agent, or Firm* — Shuttleworth & Ingersoll, PLC; Timothy J. Klima

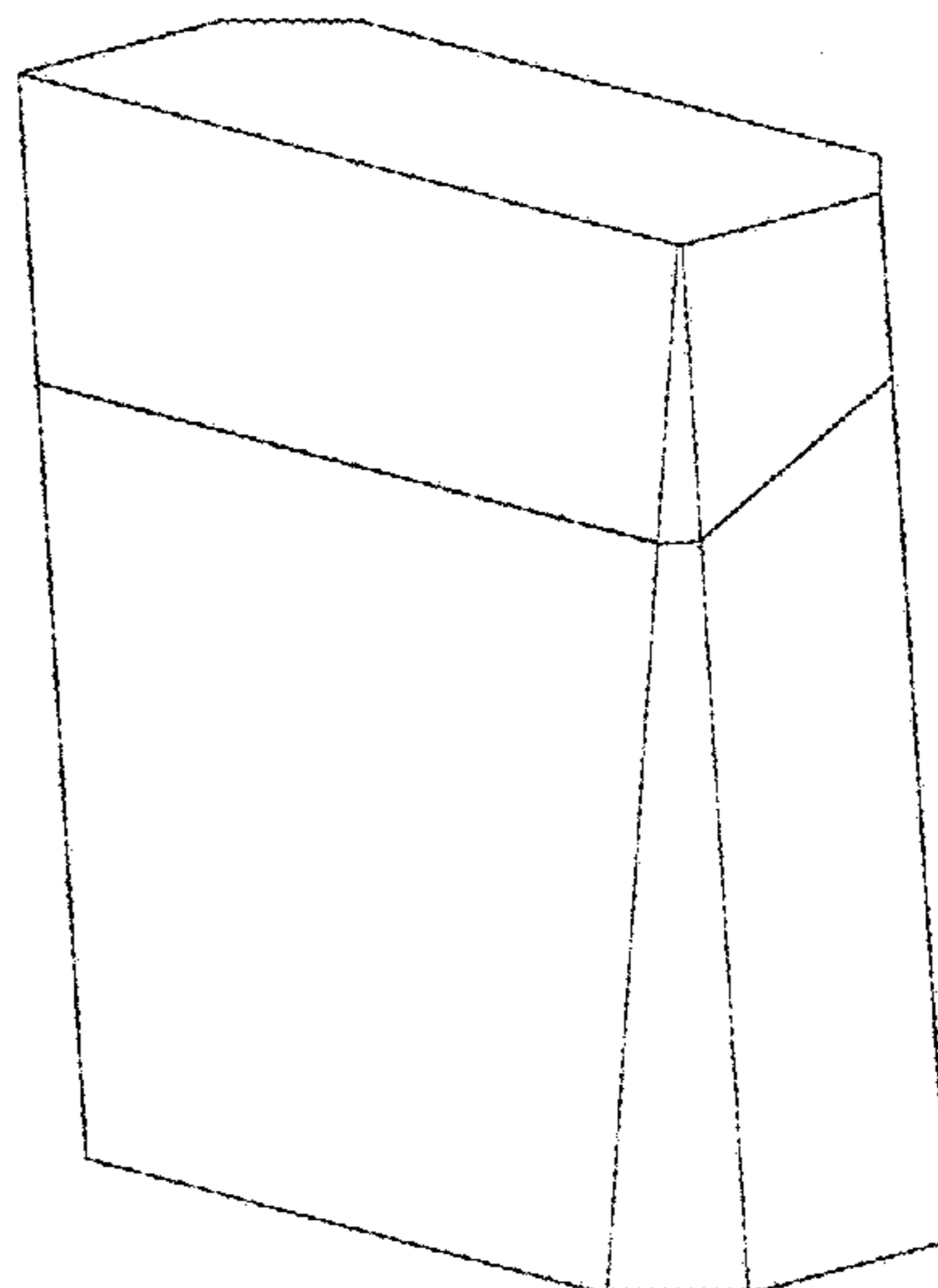
(57) **CLAIM**

The ornamental design for a packet for tobacco products, as shown and described.

**DESCRIPTION**

FIG. 1 is a front perspective view of a first embodiment of a packet for tobacco products, showing our new design; FIG. 2 is a rear perspective view thereof; FIG. 3 is a front view thereof; FIG. 4 is a right side view; FIG. 5 is a left view thereof; FIG. 6 is a top view thereof; FIG. 7 is a bottom view thereof; FIG. 8 is a rear view thereof; FIG. 9 is a front perspective view of a second embodiment of a packet for tobacco products, according to the invention; FIG. 10 is a rear perspective view thereof; FIG. 11 is a front view thereof; FIG. 12 is a right side view thereof; FIG. 13 is a left view thereof; FIG. 14 is a top view thereof; FIG. 15 is a bottom view thereof; and, FIG. 16 is a rear view thereof.

**1 Claim, 4 Drawing Sheets**



(58) **Field of Classification Search**

CPC ..... B65D 85/1045; A24F 15/18  
See application file for complete search history.

(56) **References Cited**

U.S. PATENT DOCUMENTS

D392,802 S \* 3/1998 Malmborg ..... D3/274  
6,079,556 A \* 6/2000 Draghetti et al.  
D503,616 S \* 4/2005 Ghini ..... D9/430  
D531,498 S \* 11/2006 Fluegel ..... D9/432  
D538,156 S \* 3/2007 Ayats ..... D9/423  
D545,188 S \* 6/2007 Billig ..... D9/432  
D549,096 S \* 8/2007 Ayats ..... D9/423  
D700,994 S \* 3/2014 Alarcon ..... D27/189  
D718,493 S \* 11/2014 Stern ..... D27/189  
D723,736 S \* 3/2015 Liu ..... D27/189  
D732,952 S \* 6/2015 Ghini ..... D9/423  
D748,466 S \* 2/2016 Martin ..... D9/420  
D751,756 S \* 3/2016 Hearn ..... D27/189  
D751,757 S \* 3/2016 Stern ..... D27/189  
D752,282 S \* 3/2016 Doster ..... D27/189  
D752,283 S \* 3/2016 Doster ..... D27/189  
D752,286 S \* 3/2016 Doster ..... D27/189  
D752,808 S \* 3/2016 Hearn ..... D27/189  
D753,960 S \* 4/2016 Hart ..... D7/629

\* cited by examiner

FIG.1

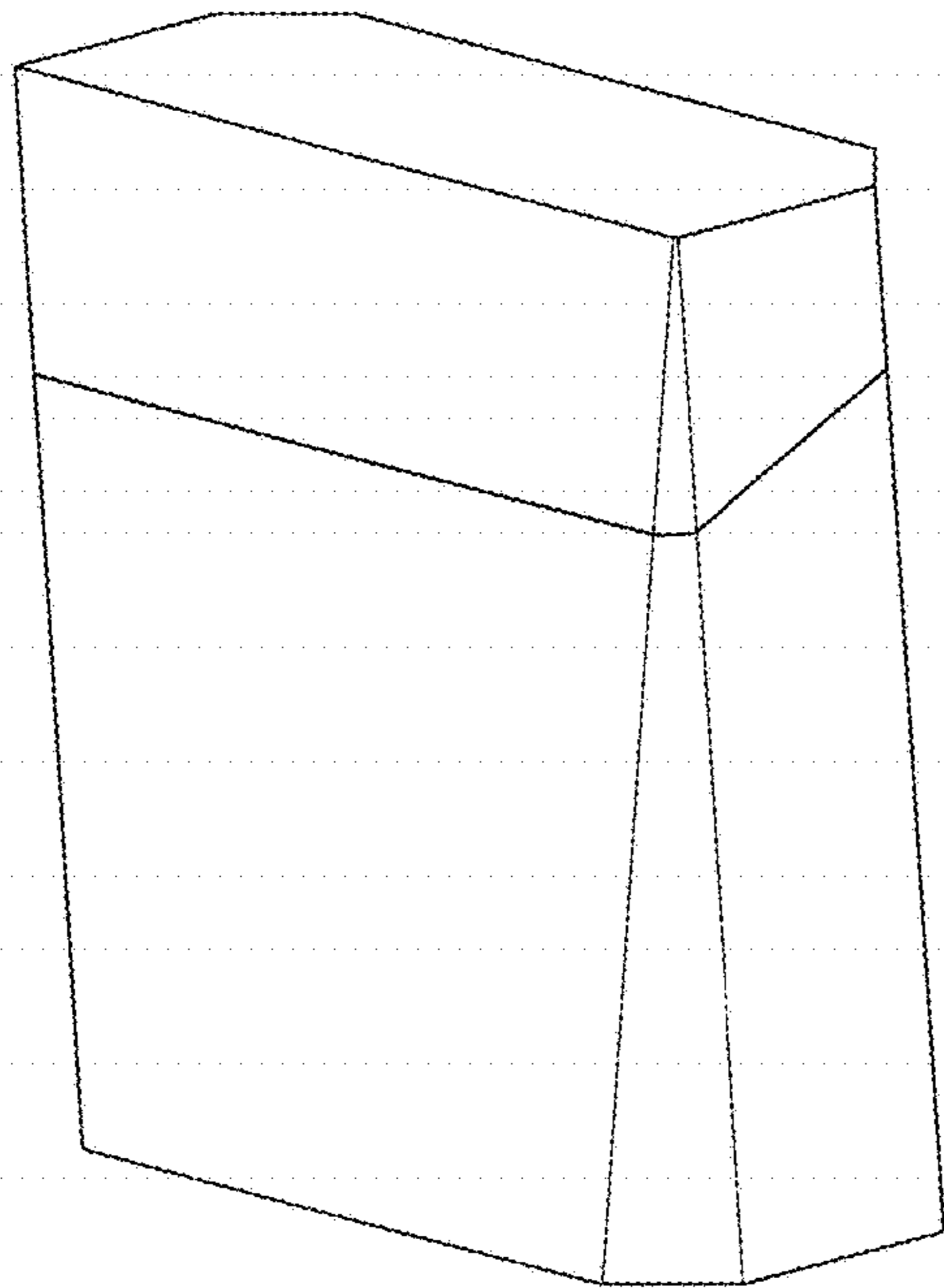


FIG.2

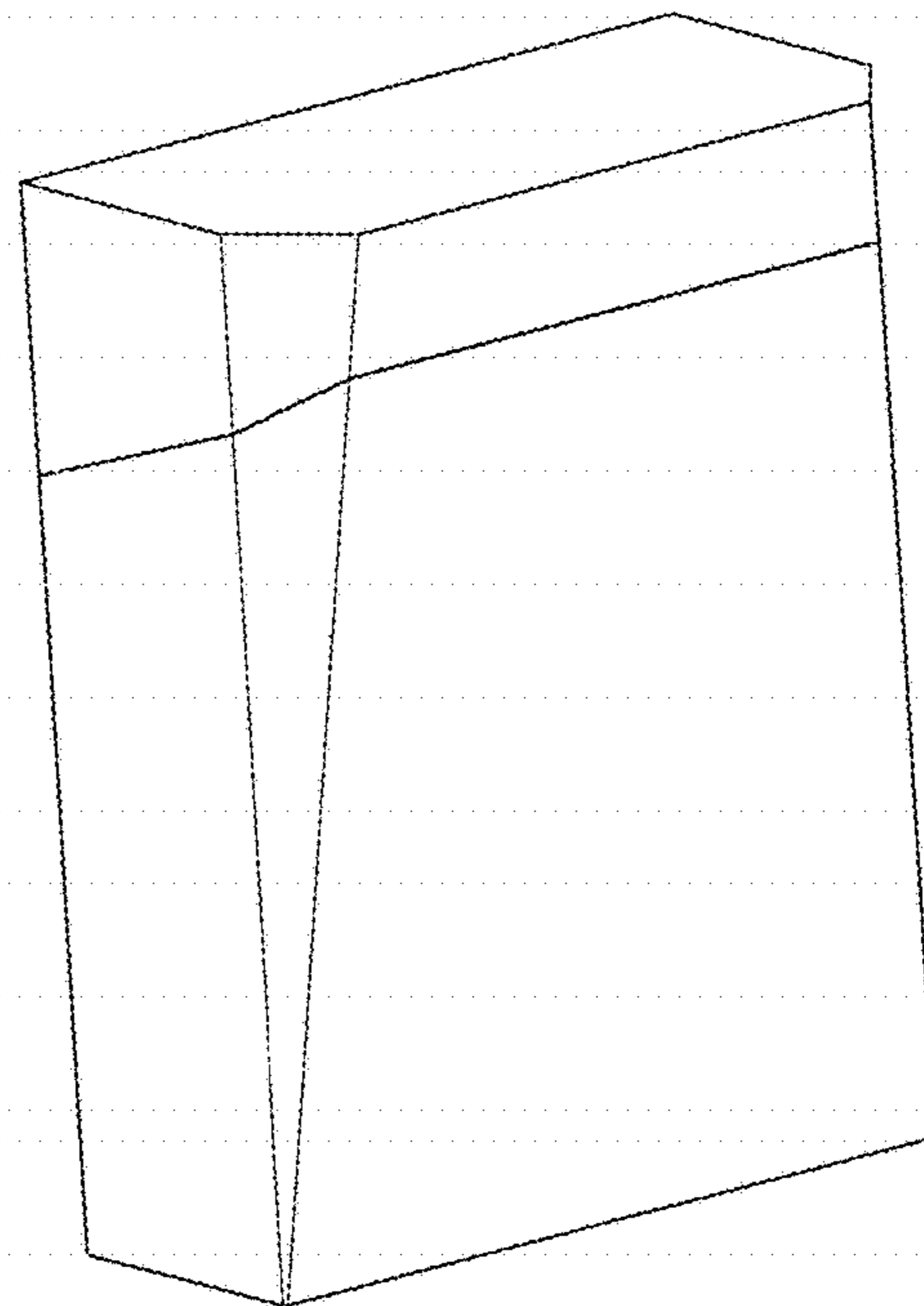


FIG.7

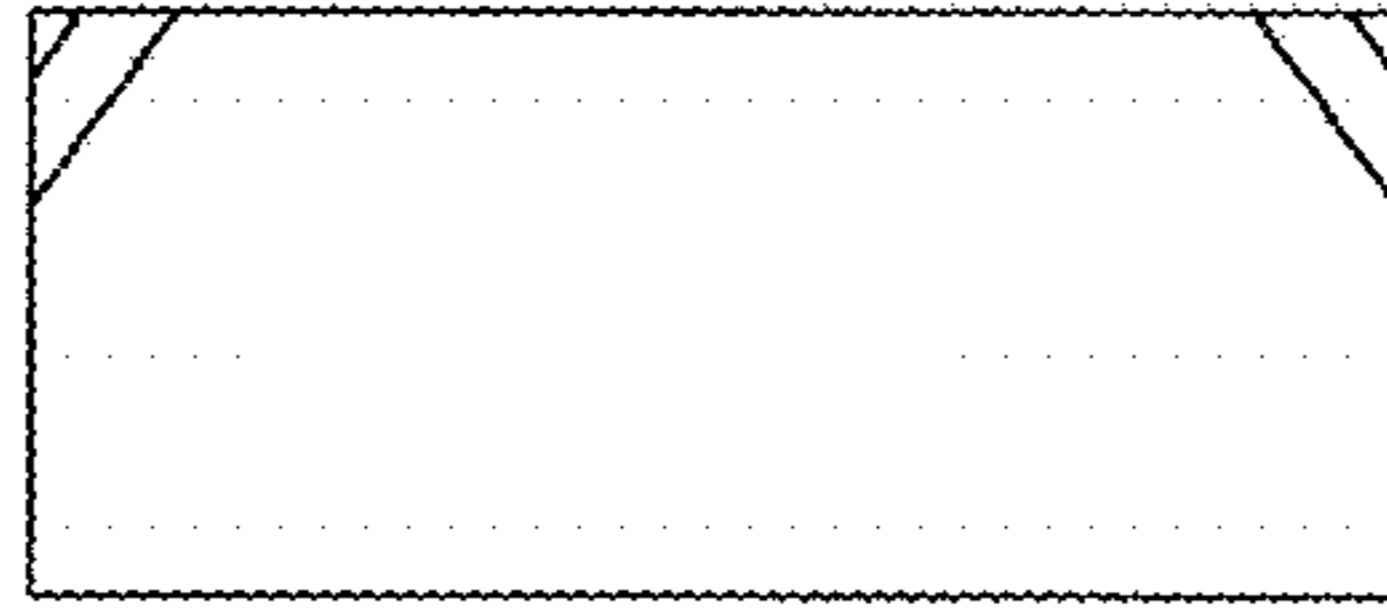


FIG.4

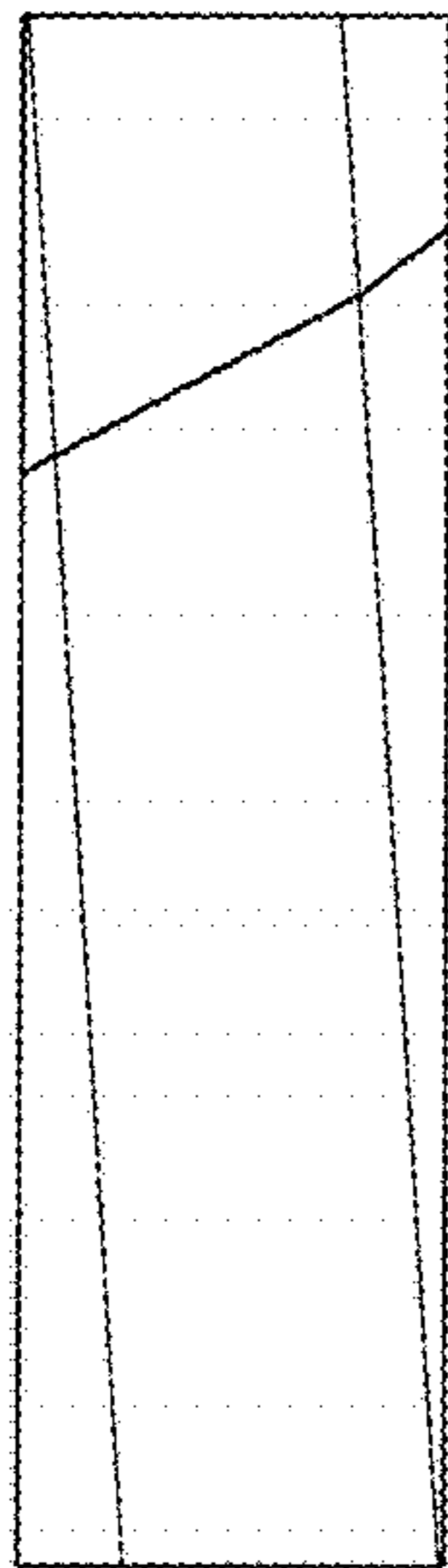


FIG.3

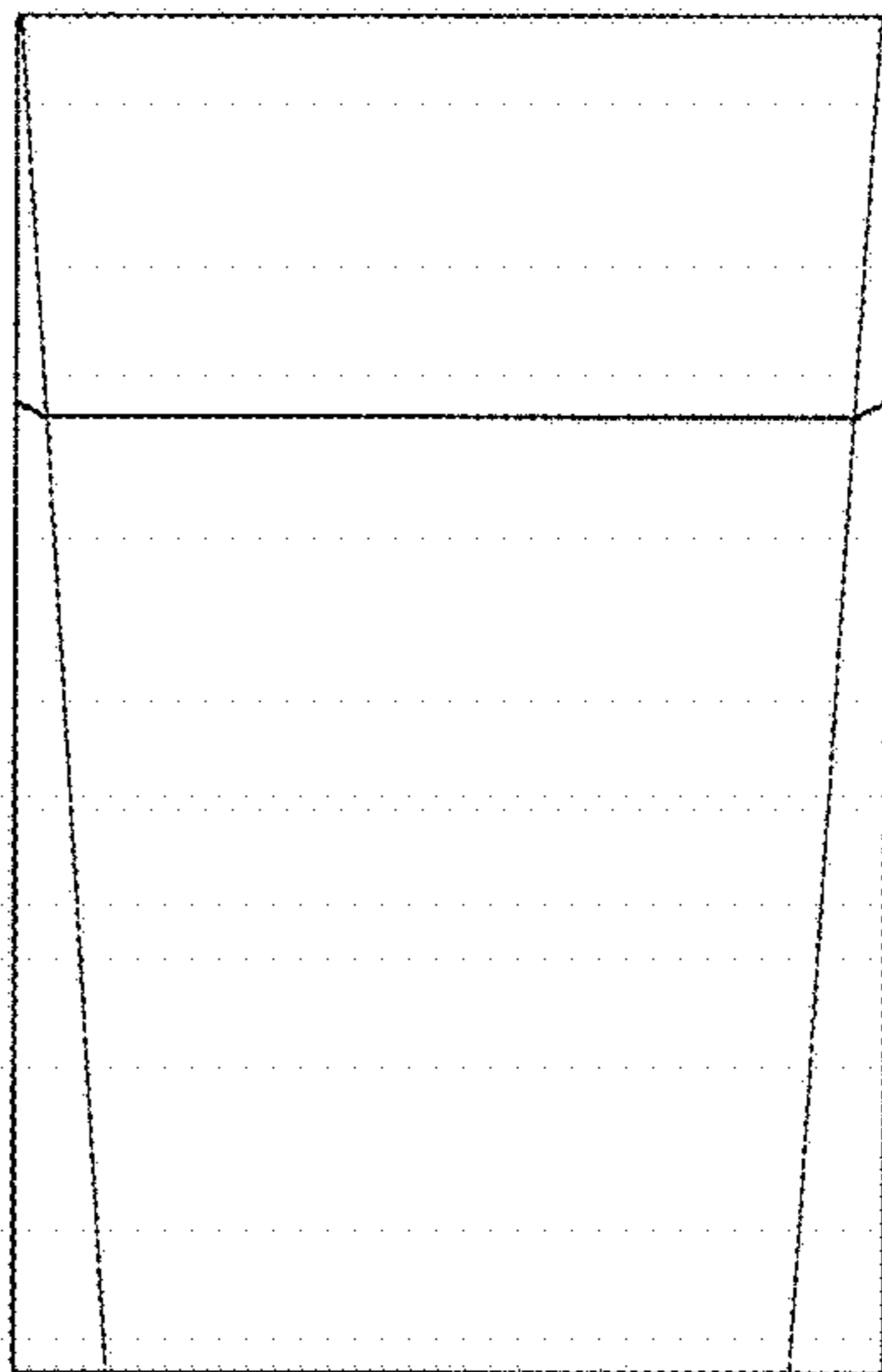


FIG.5

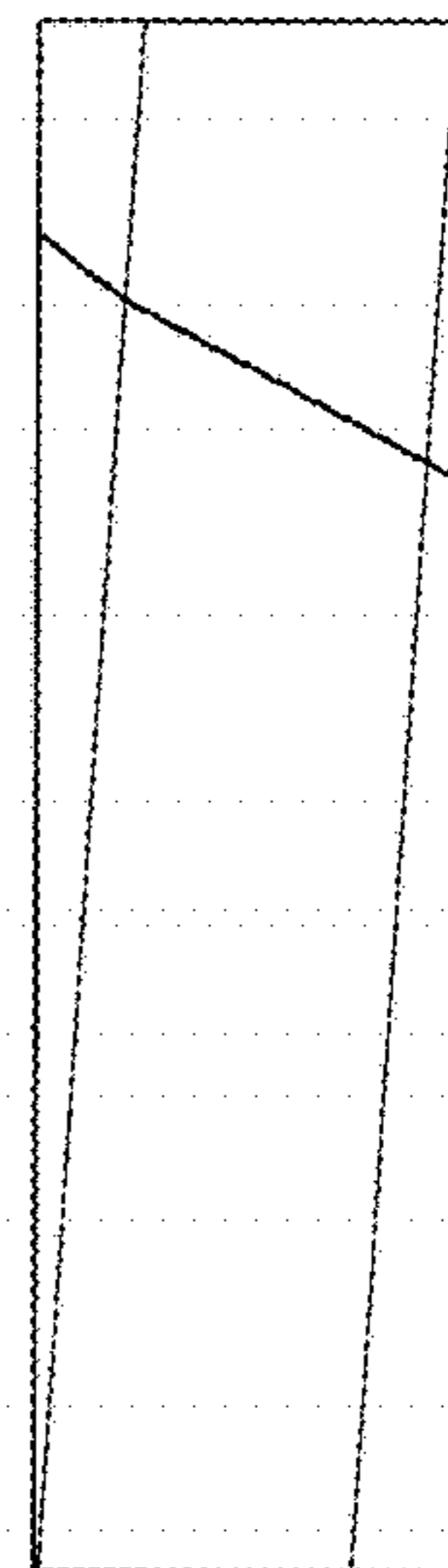


FIG.6

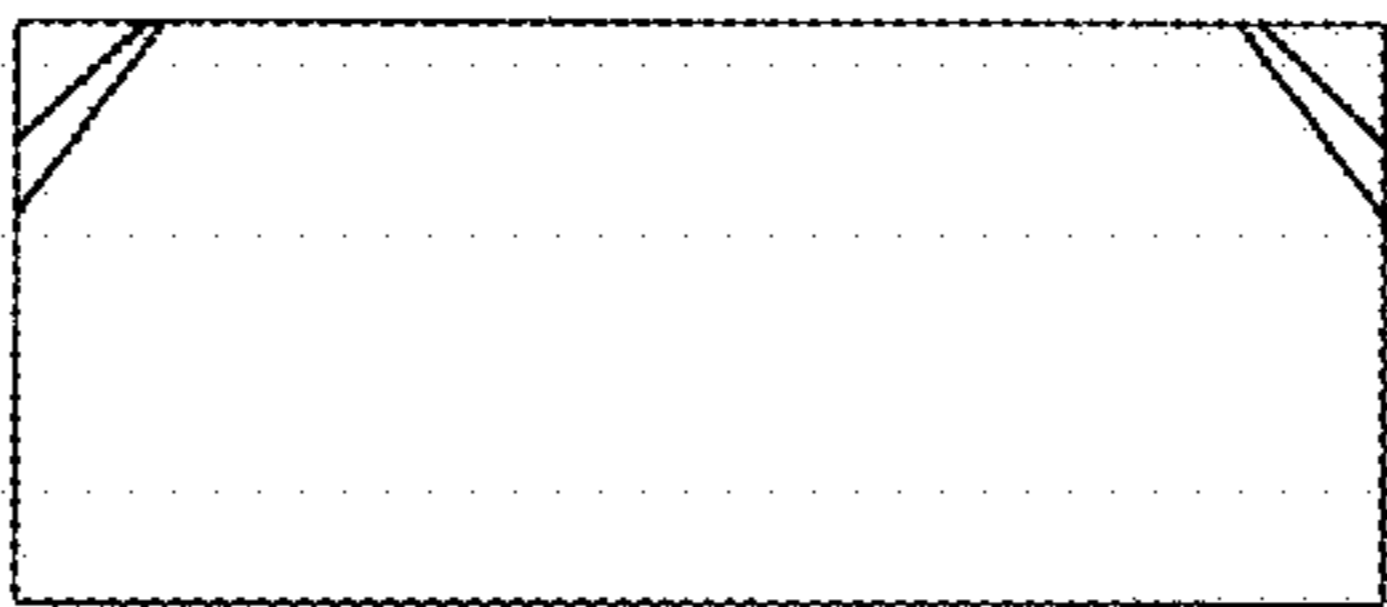


FIG.8

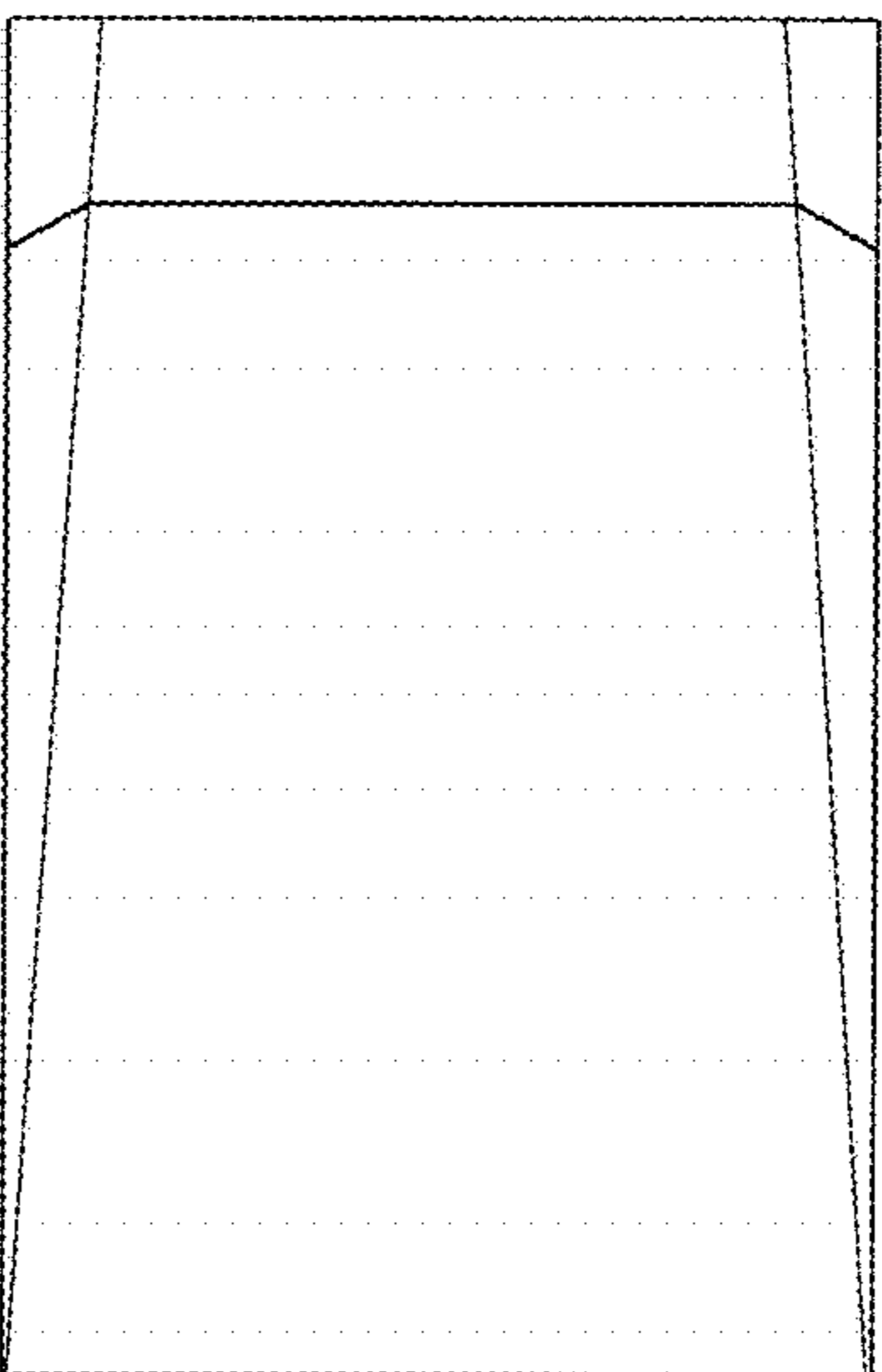


FIG.9

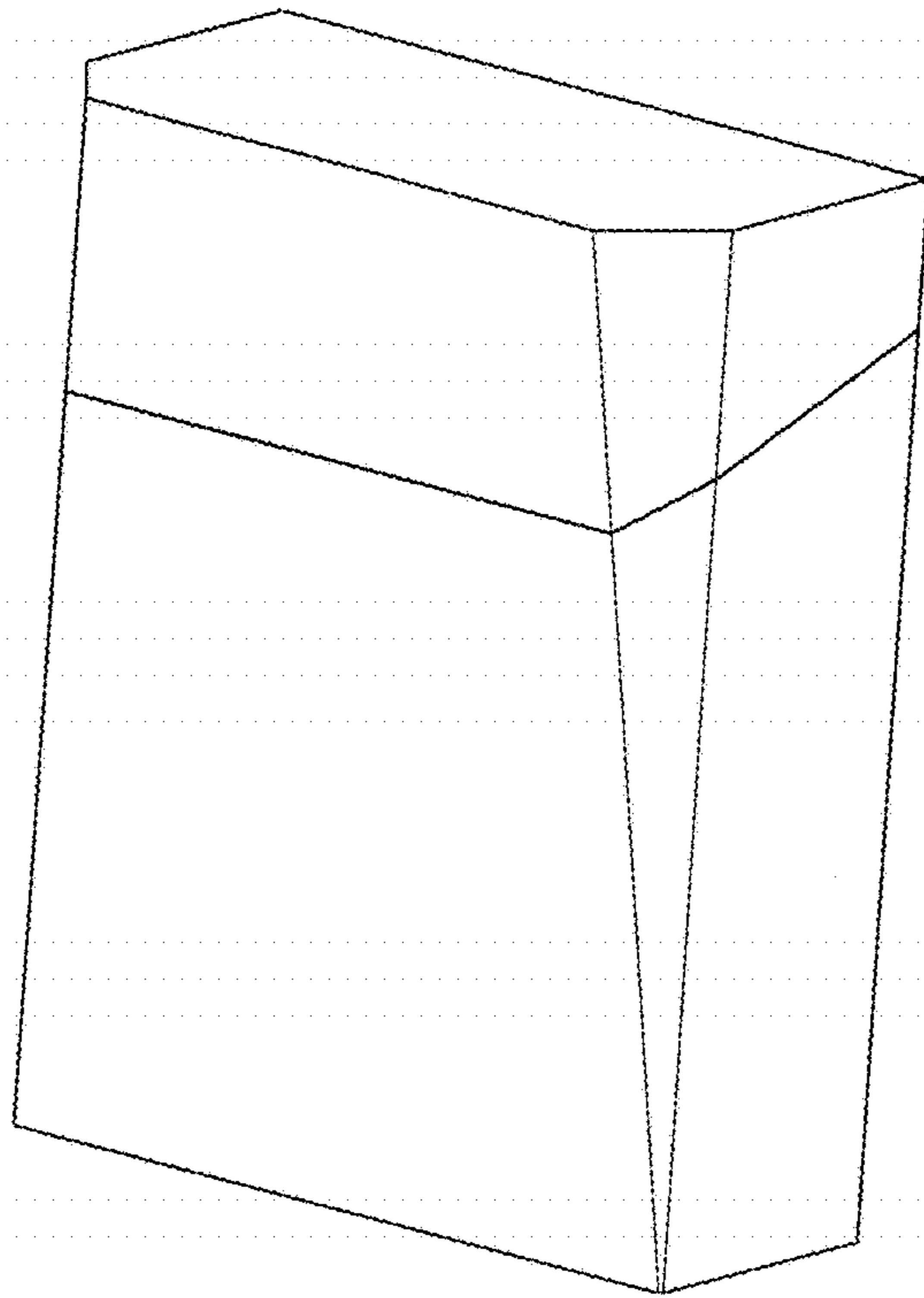


FIG.10

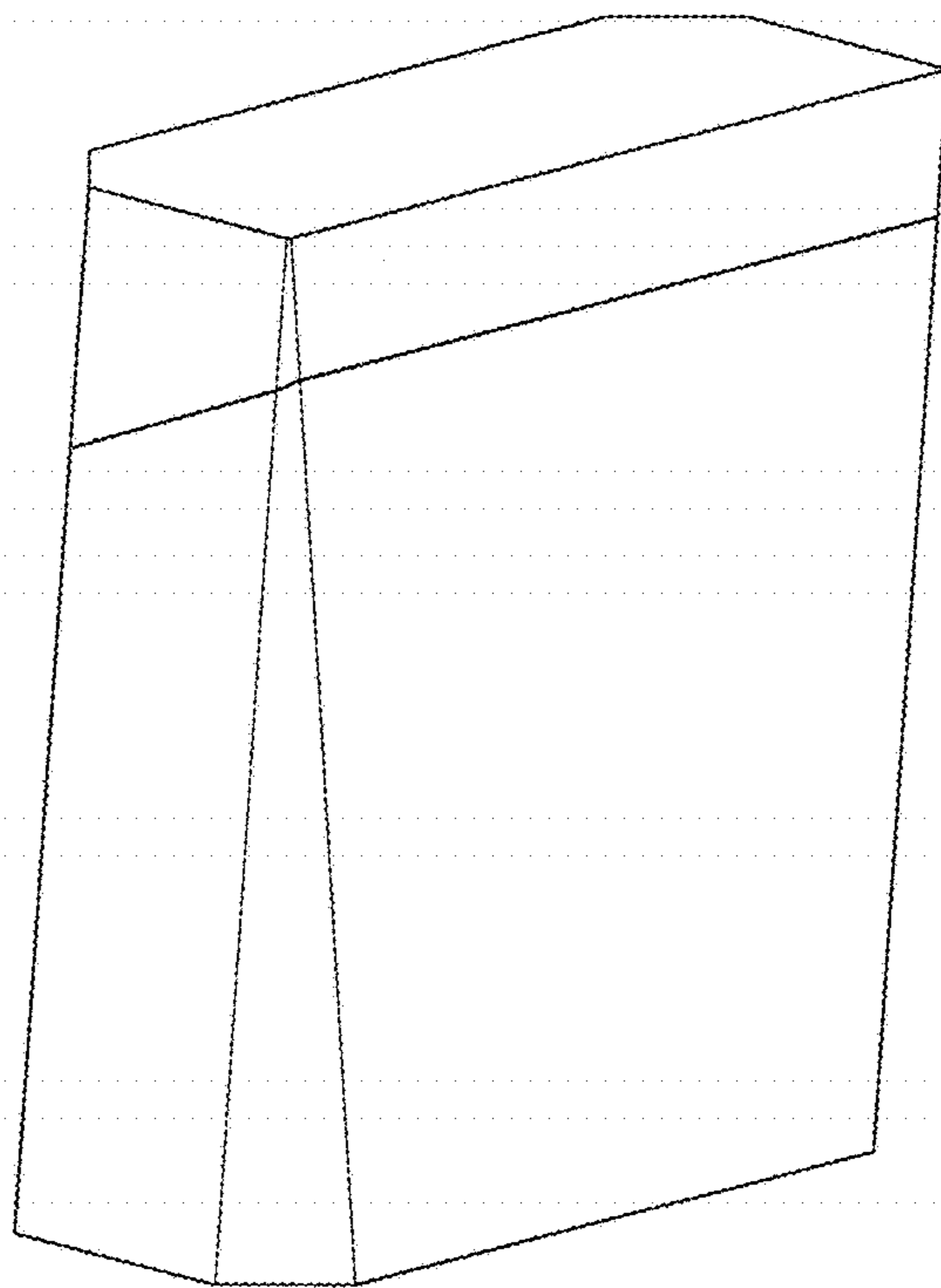


FIG.15

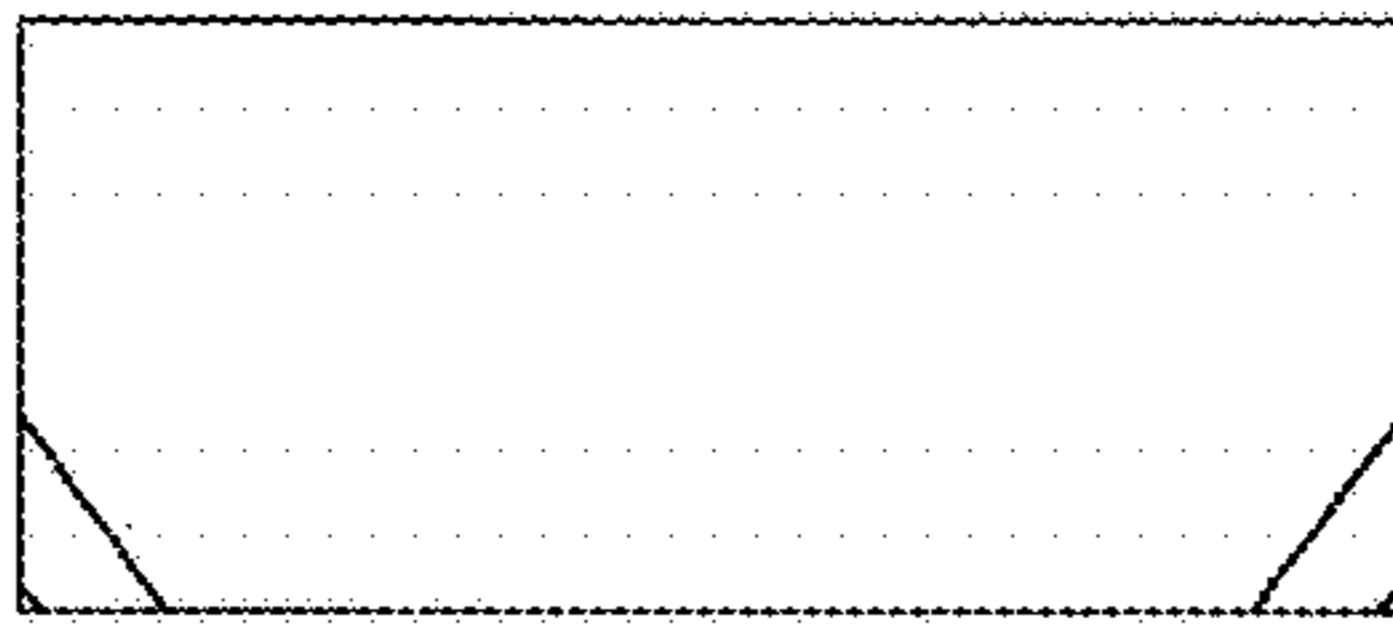


FIG.12

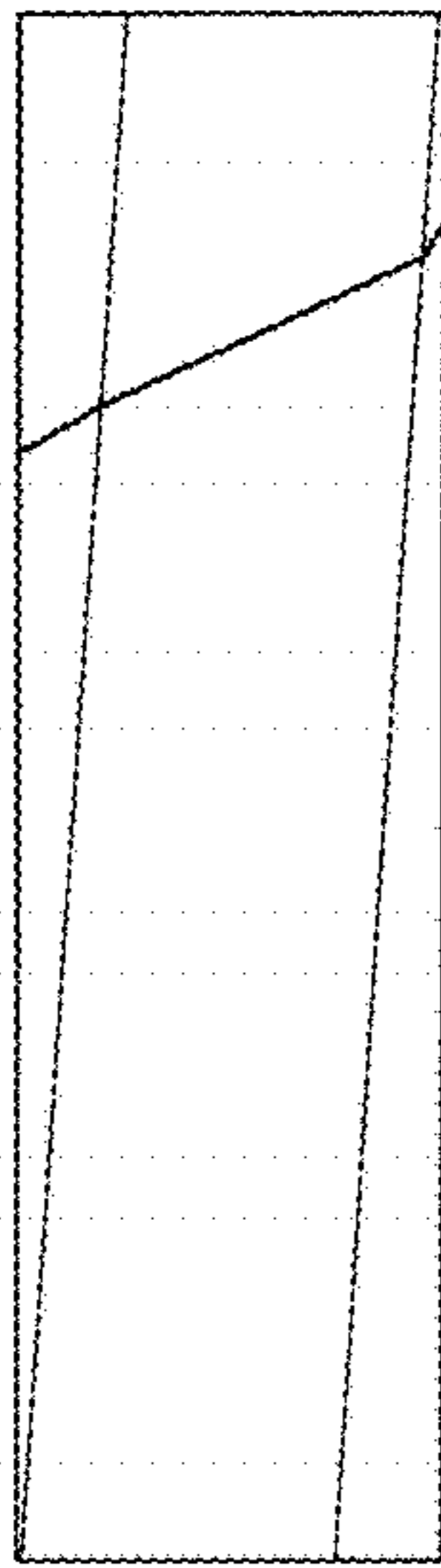


FIG.11

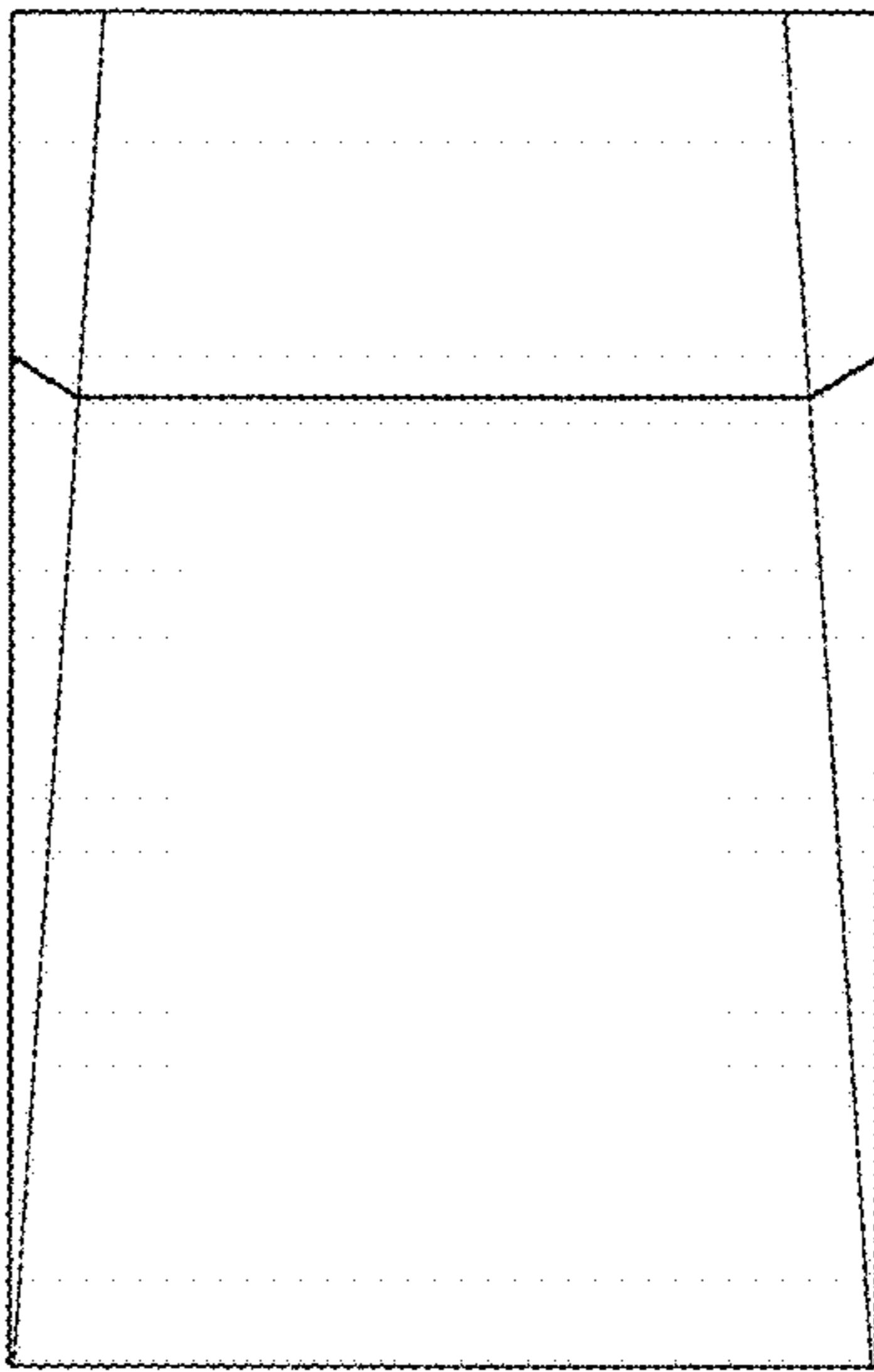


FIG.13

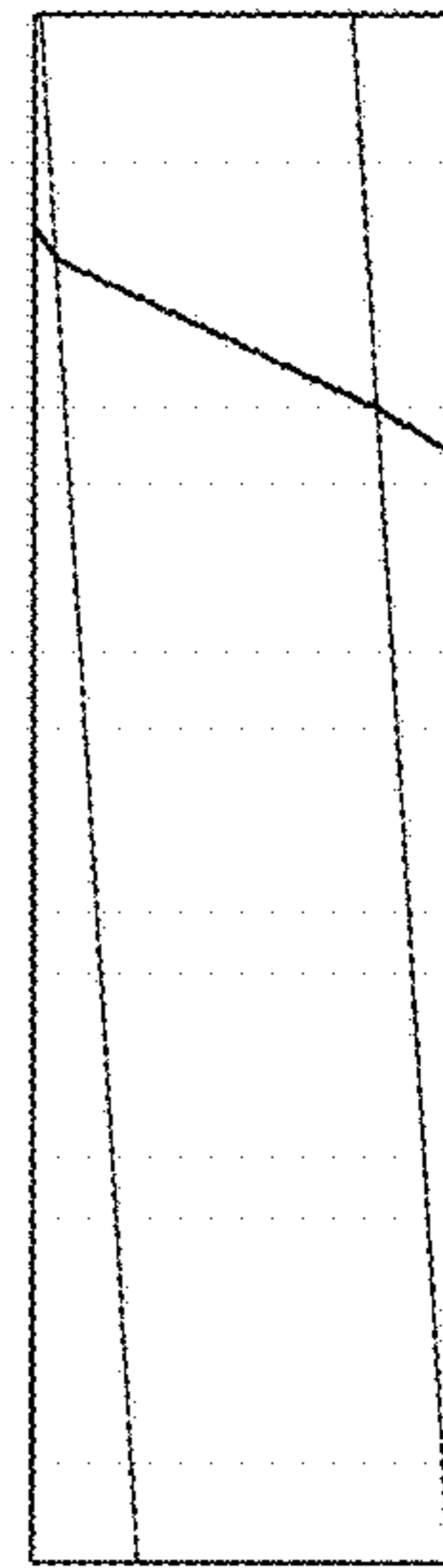


FIG.14

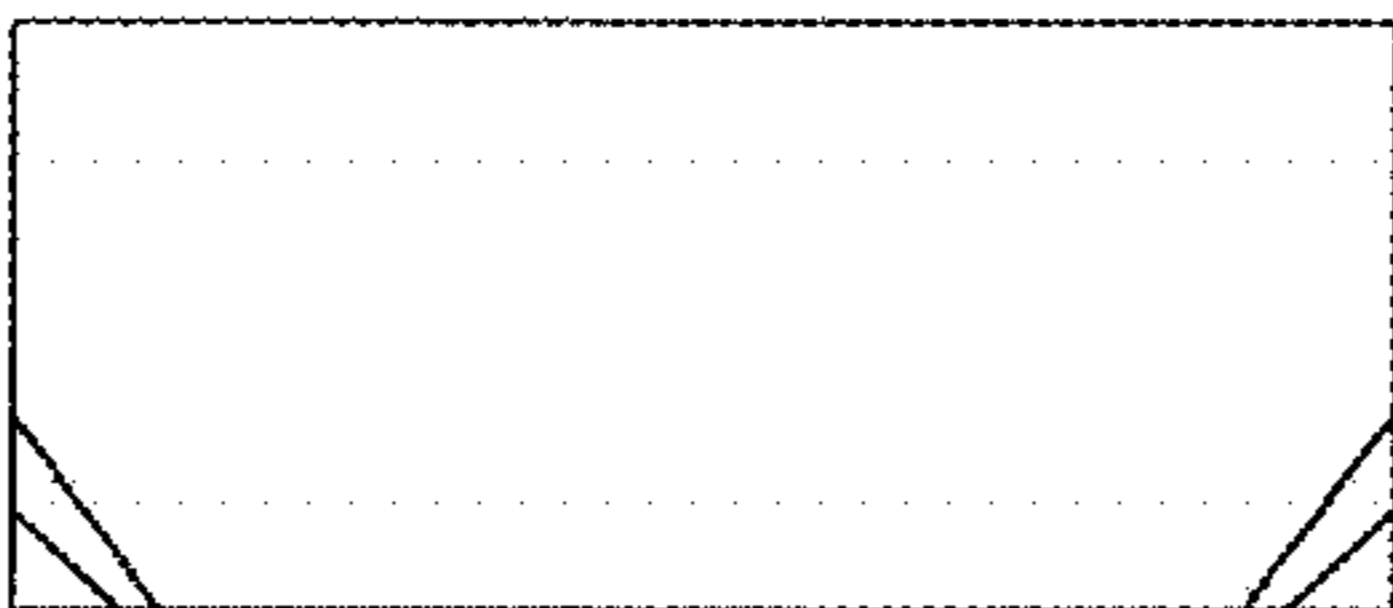


FIG.16

