



US00D775942S

(12) **United States Design Patent** (10) **Patent No.:** **US D775,942 S**  
**Chapman et al.** (45) **Date of Patent:** **\*\* Jan. 10, 2017**

- (54) **ASTRAGAL BOTTOM BOOT** 6,390,307 B1 \* 5/2002 Stelter ..... A63B 61/02  
 211/4  
 (71) Applicant: **Global Products International Group, LLC, Atlanta, GA (US)** D523,732 S \* 6/2006 Farrar ..... D8/330  
 D541,629 S \* 5/2007 Pepper ..... D8/331  
 D544,337 S \* 6/2007 Pepper ..... D8/331  
 D564,859 S \* 3/2008 Brojanac ..... D13/178  
 (72) Inventors: **Gabriel Paul Chapman, Cumming, GA (US); Ryan Harold Chapman, Atlanta, GA (US)** 7,540,177 B1 \* 6/2009 Luo ..... E05B 15/02  
 340/5.53  
 D620,340 S \* 7/2010 Liljeqvist ..... D8/330  
 D725,991 S \* 4/2015 Nasr ..... D8/330  
 (73) Assignee: **Global Products International Group, LLC, Atlanta, GA (US)** 2005/0116424 A1 \* 6/2005 Sanders ..... E06B 7/215  
 277/377  
 2005/0120630 A1 \* 6/2005 Sanders ..... E06B 7/215  
 49/365  
 (\*\*) Term: **15 Years** 2005/0193784 A1 \* 9/2005 Sanders ..... E06B 3/365  
 70/106

- (21) Appl. No.: **29/542,479**  
 (22) Filed: **Oct. 14, 2015**  
 (51) **LOC (10) Cl.** ..... **08-09**  
 (52) **U.S. Cl.**  
 USPC ..... **D8/400; D8/330**  
 (58) **Field of Classification Search**  
 USPC ..... D8/400; 70/102, 106, 95, 141, 431;  
 292/340, 341.19, 341.18, 18, 42, 162,  
 292/145, 22, 33, DIG. 53, DIG. 21;  
 49/365, 366, 394, 49/395, 373; 277/377,  
 277/345  
 CPC ..... E05B 7/00; E05B 9/00; E05B 63/00;  
 E06B 5/00; E05C 1/00; E05C 1/04; E05C  
 3/00; E05C 19/00  
 See application file for complete search history.

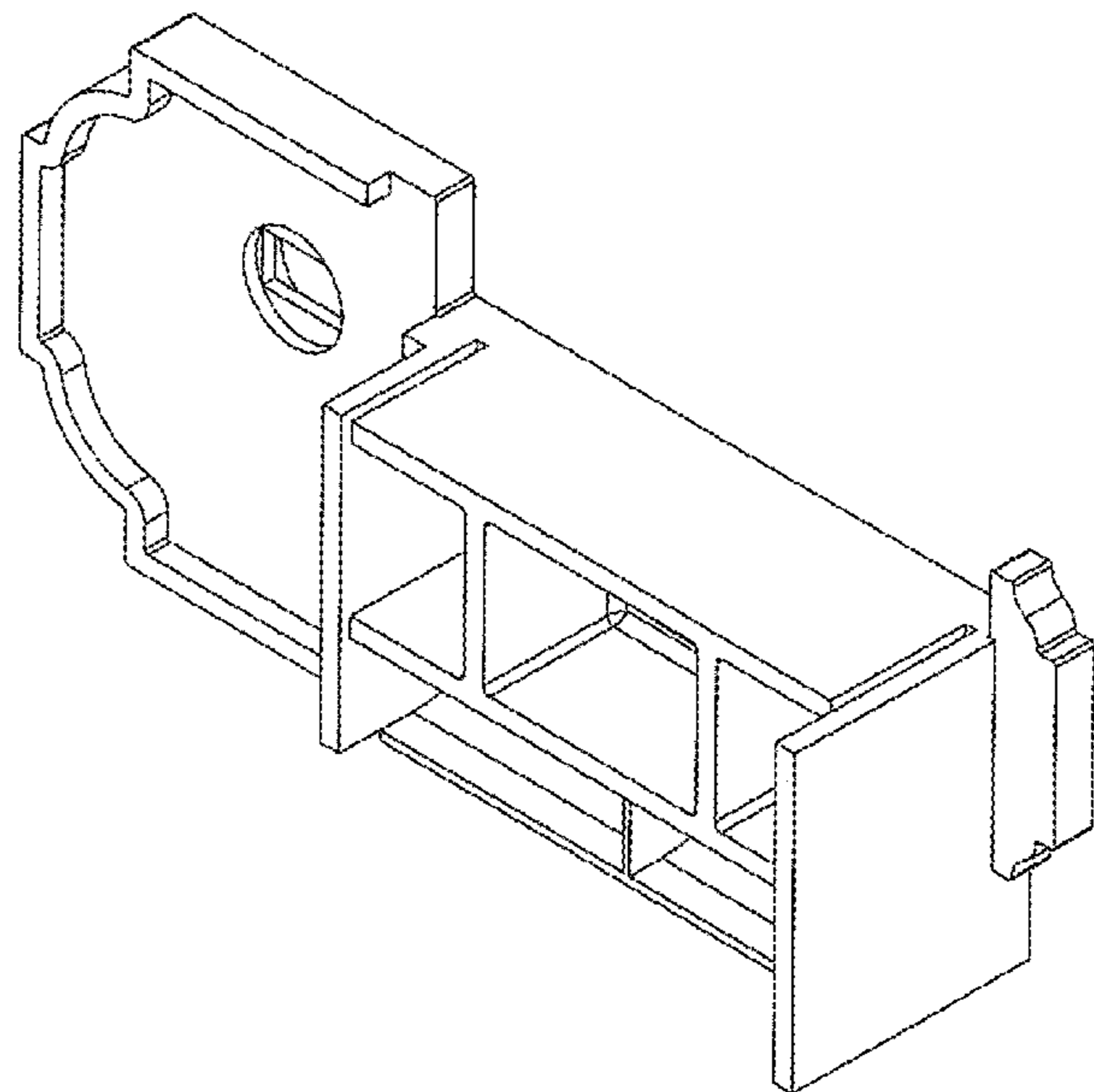
- (56) **References Cited**  
 U.S. PATENT DOCUMENTS  
 D273,090 S \* 3/1984 Imperial ..... D25/48.3  
 5,857,291 A \* 1/1999 Headrick ..... E05C 1/04  
 292/145

\* cited by examiner  
*Primary Examiner* — Prabhakar Deshmukh  
 (74) *Attorney, Agent, or Firm* — Sutherland Asbill & Brennan LLP

(57) **CLAIM**  
 The ornamental design for a astragal bottom boot, as shown and described.

**DESCRIPTION**  
 FIG. 1 is a front perspective view of an astragal bottom boot showing our new design;  
 FIG. 2 is a rear perspective view thereof;  
 FIG. 3 is a top plan view thereof;  
 FIG. 4 is a bottom plan view thereof;  
 FIG. 5 is a left side elevational view thereof;  
 FIG. 6 is a right side elevational view thereof;  
 FIG. 7 is a front elevational view thereof; and,  
 FIG. 8 is a rear elevational view thereof.

**1 Claim, 7 Drawing Sheets**



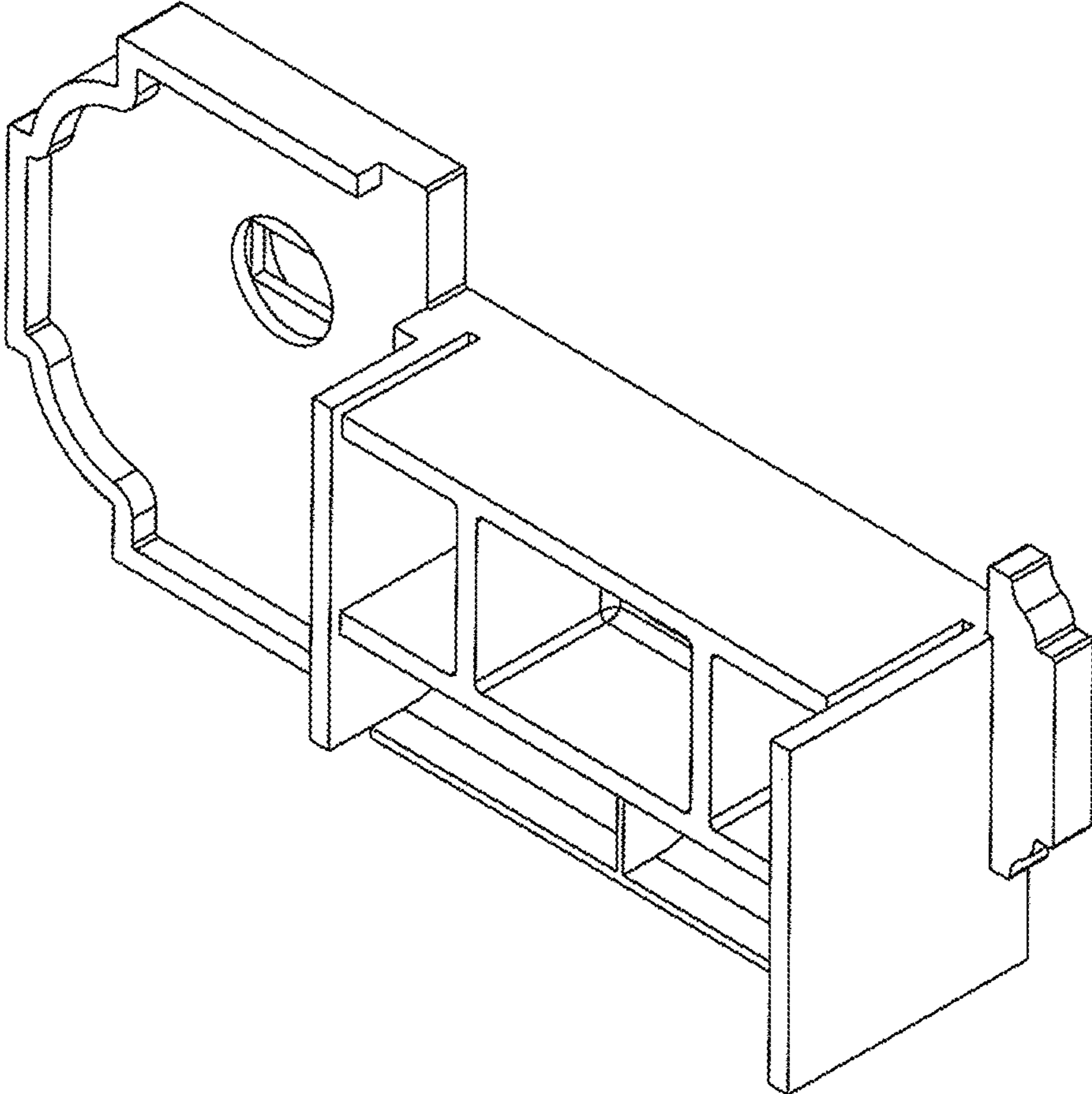
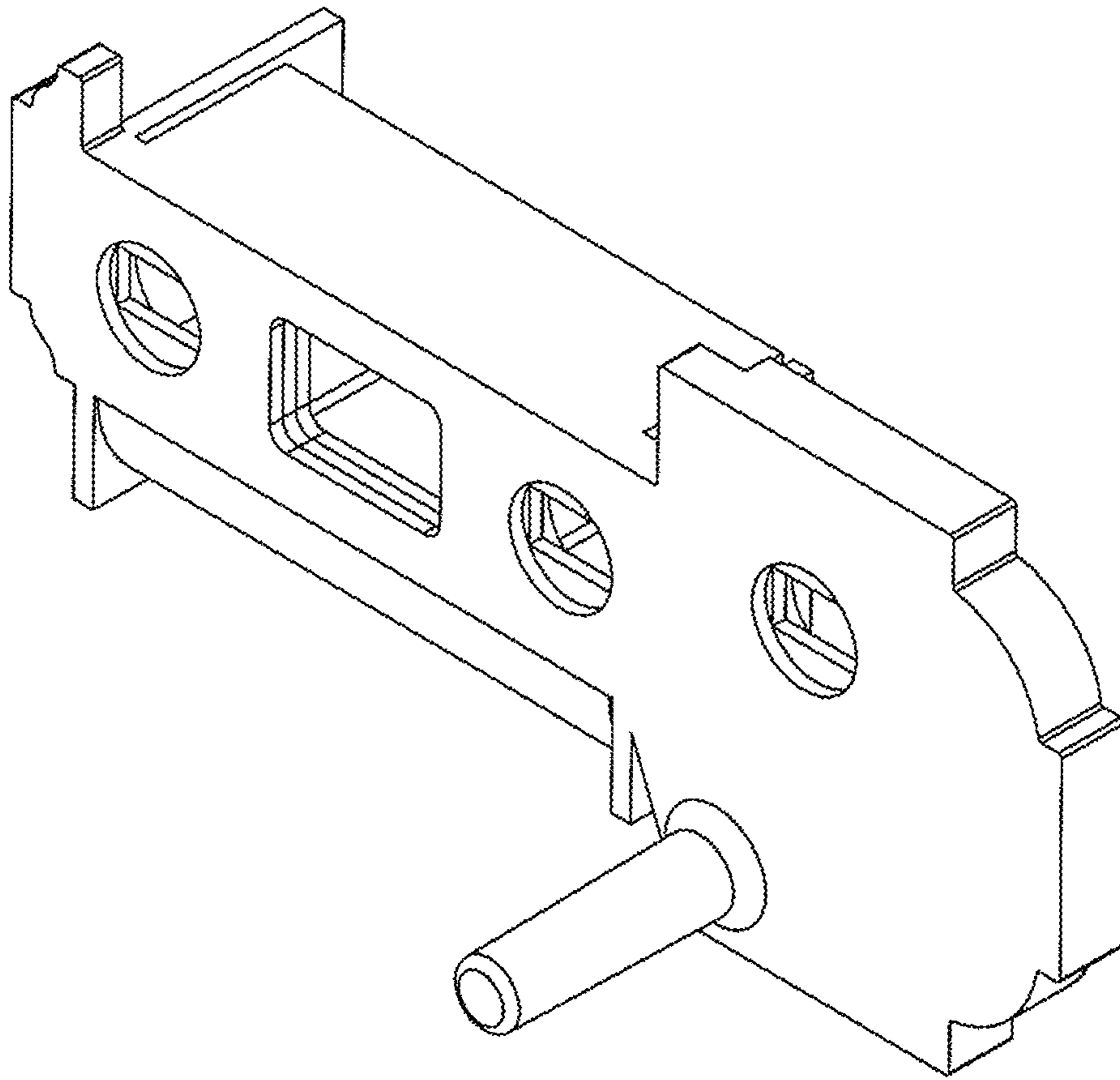
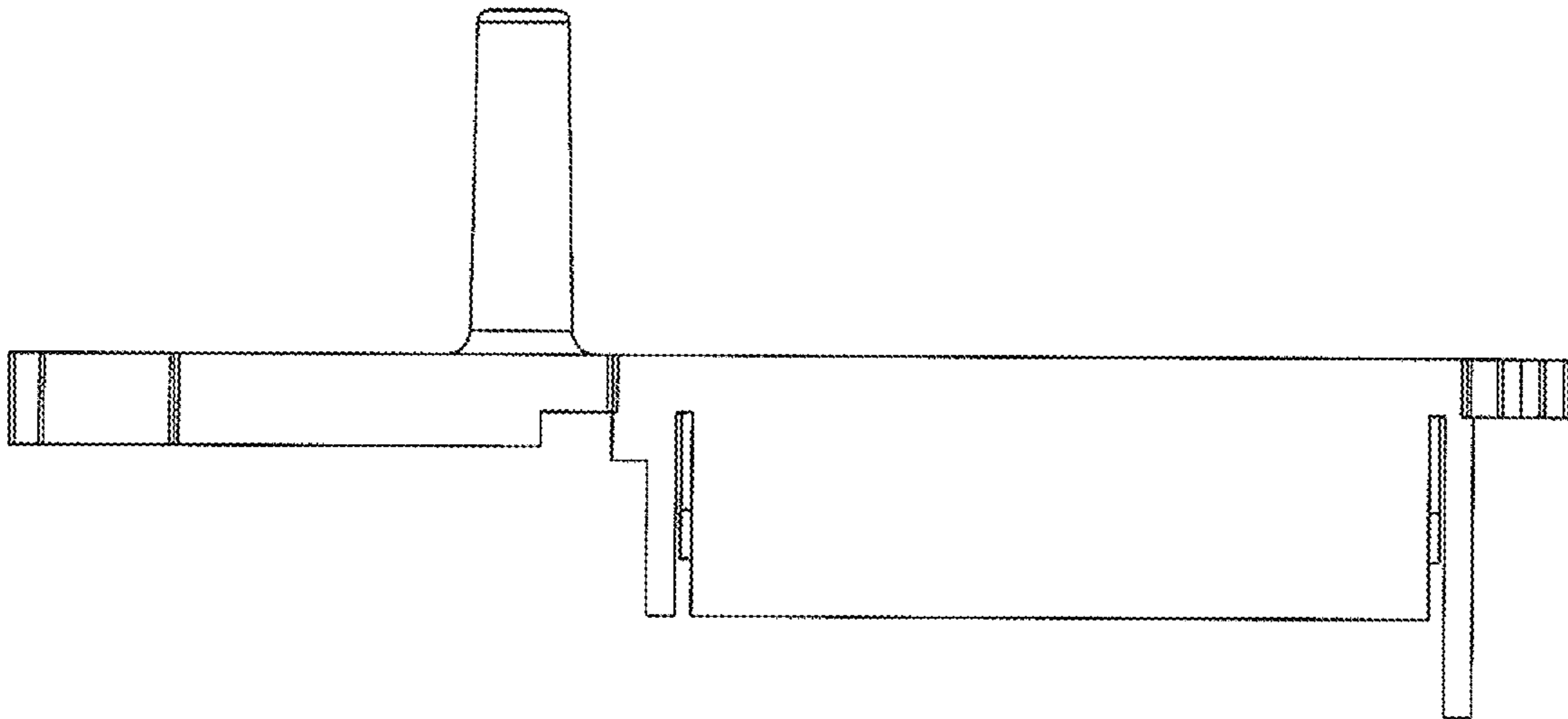


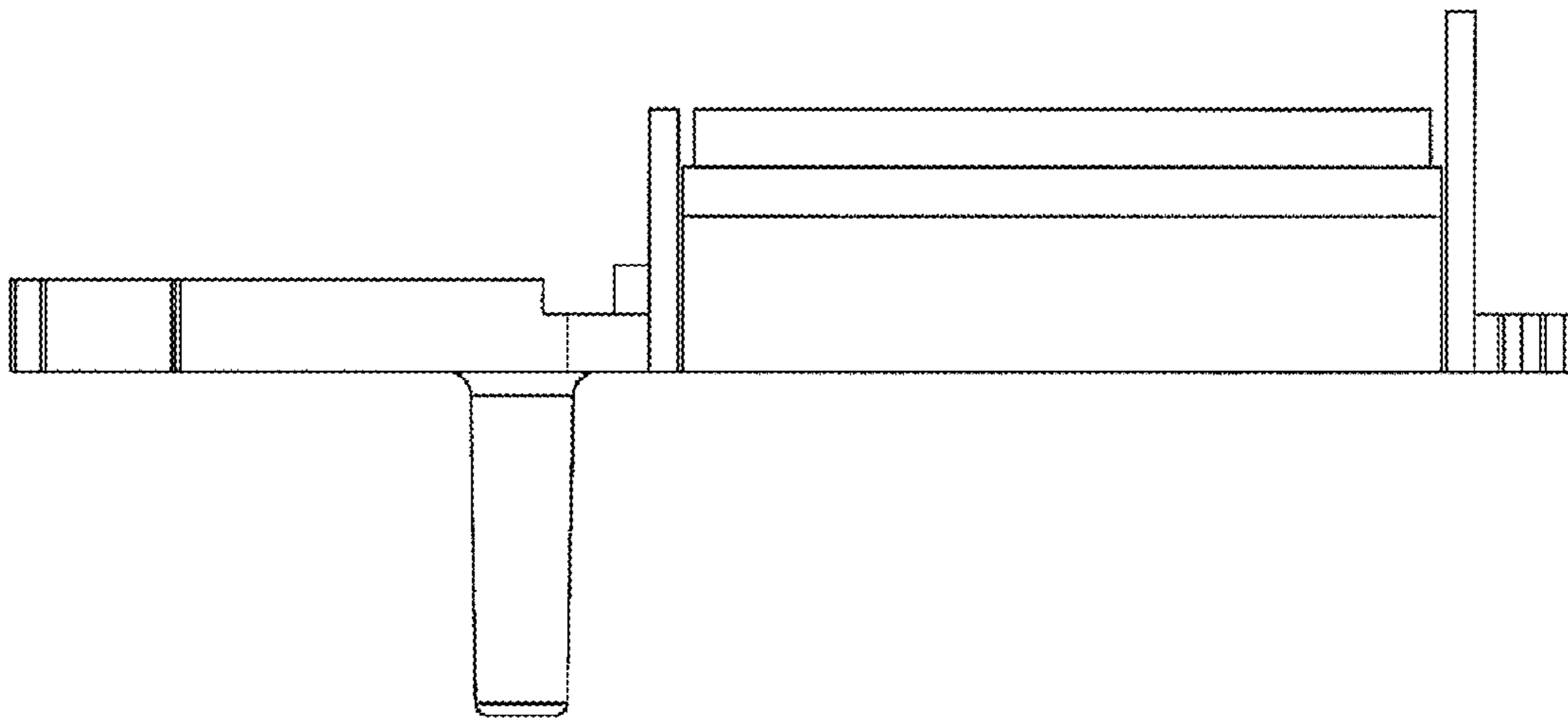
Fig. 1



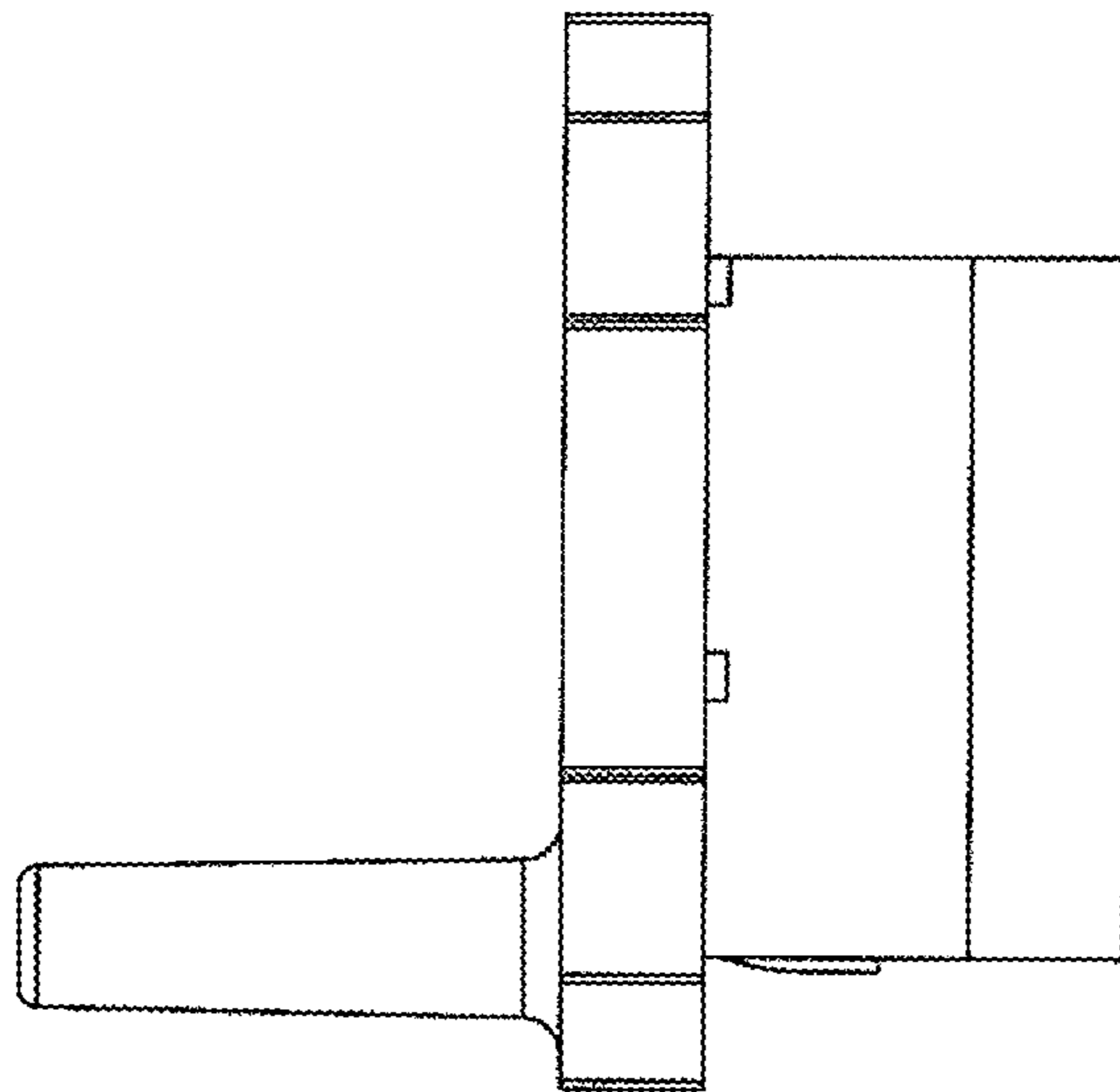
*Fig. 2*



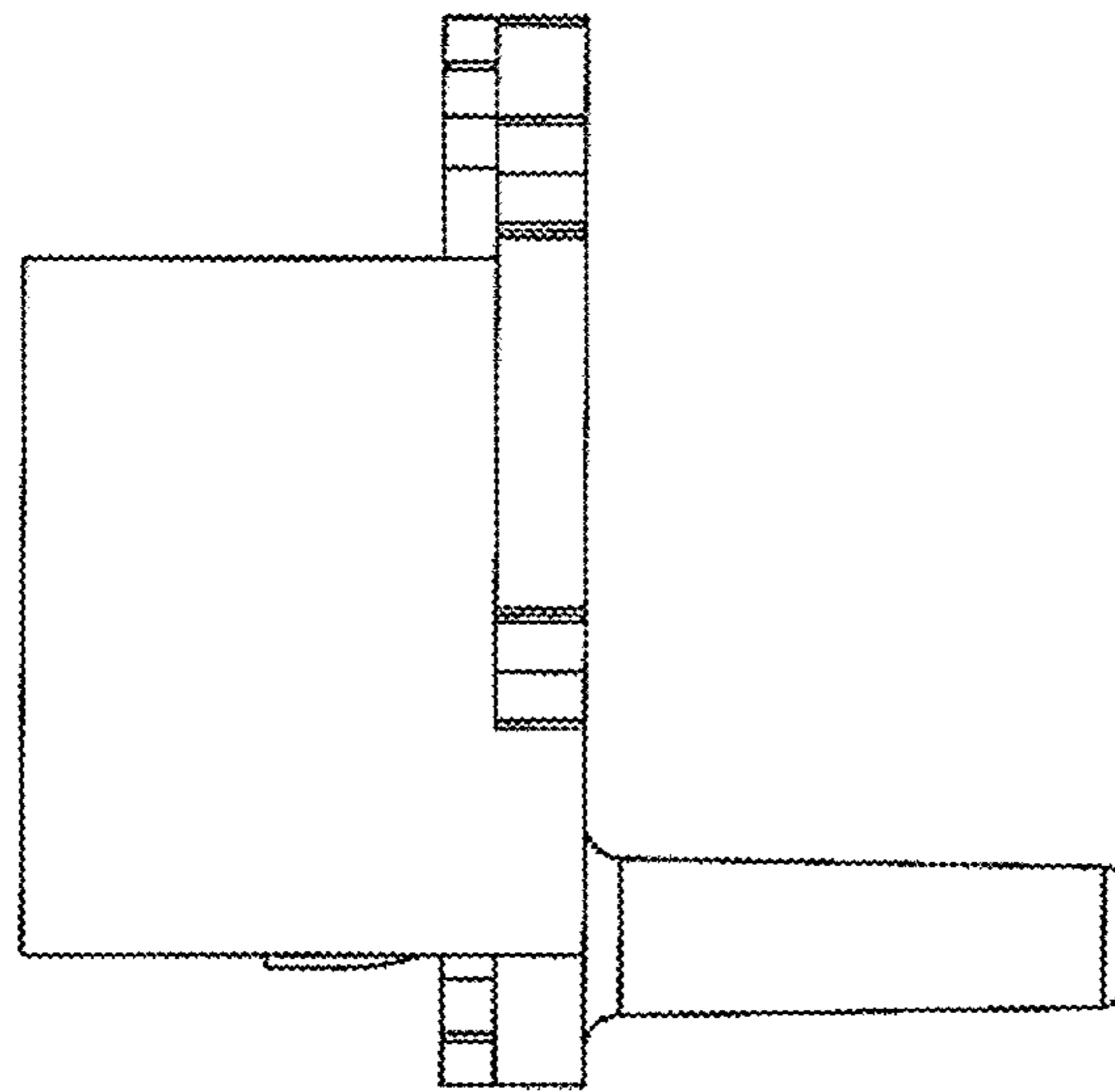
*Fig. 3*



*Fig. 4*



*Fig. 5*



*Fig. 6*

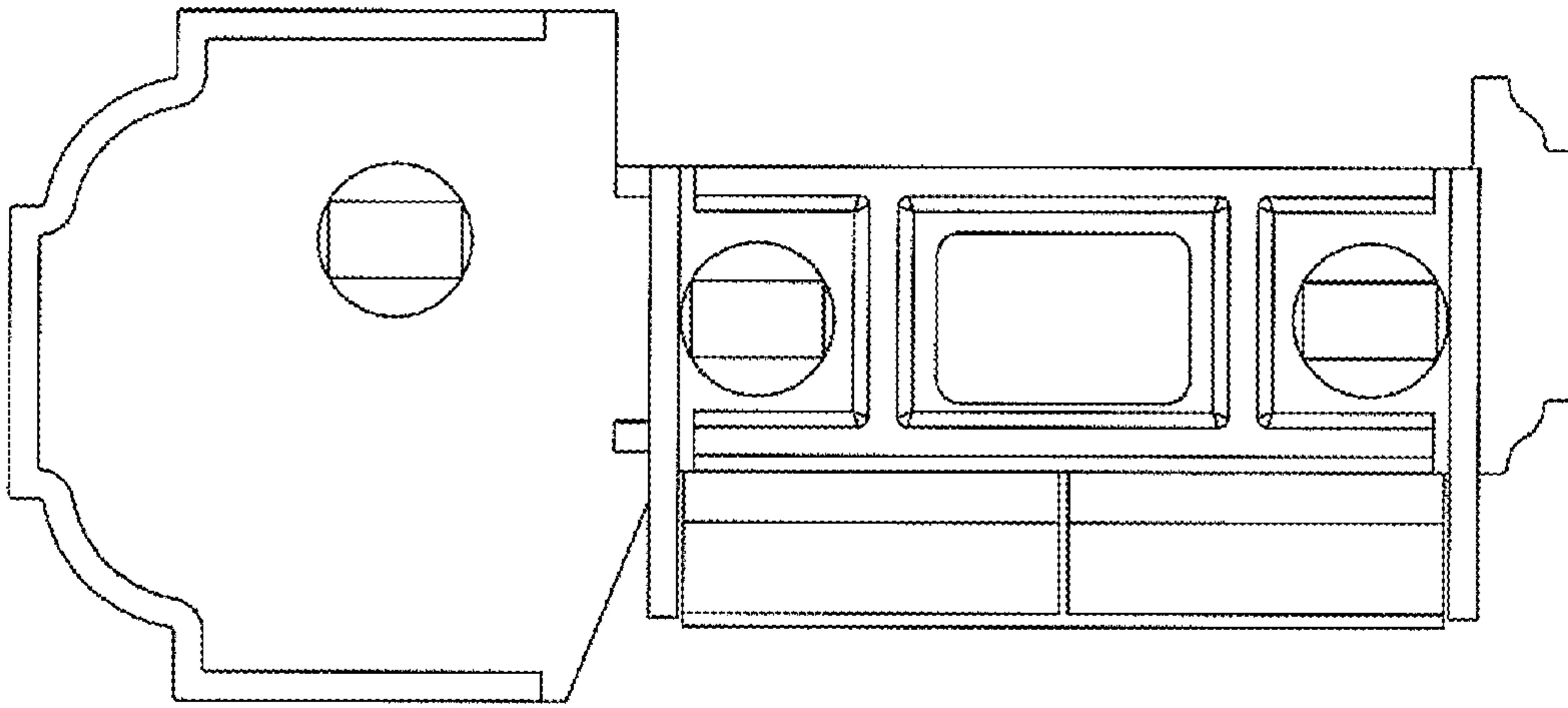


Fig. 7

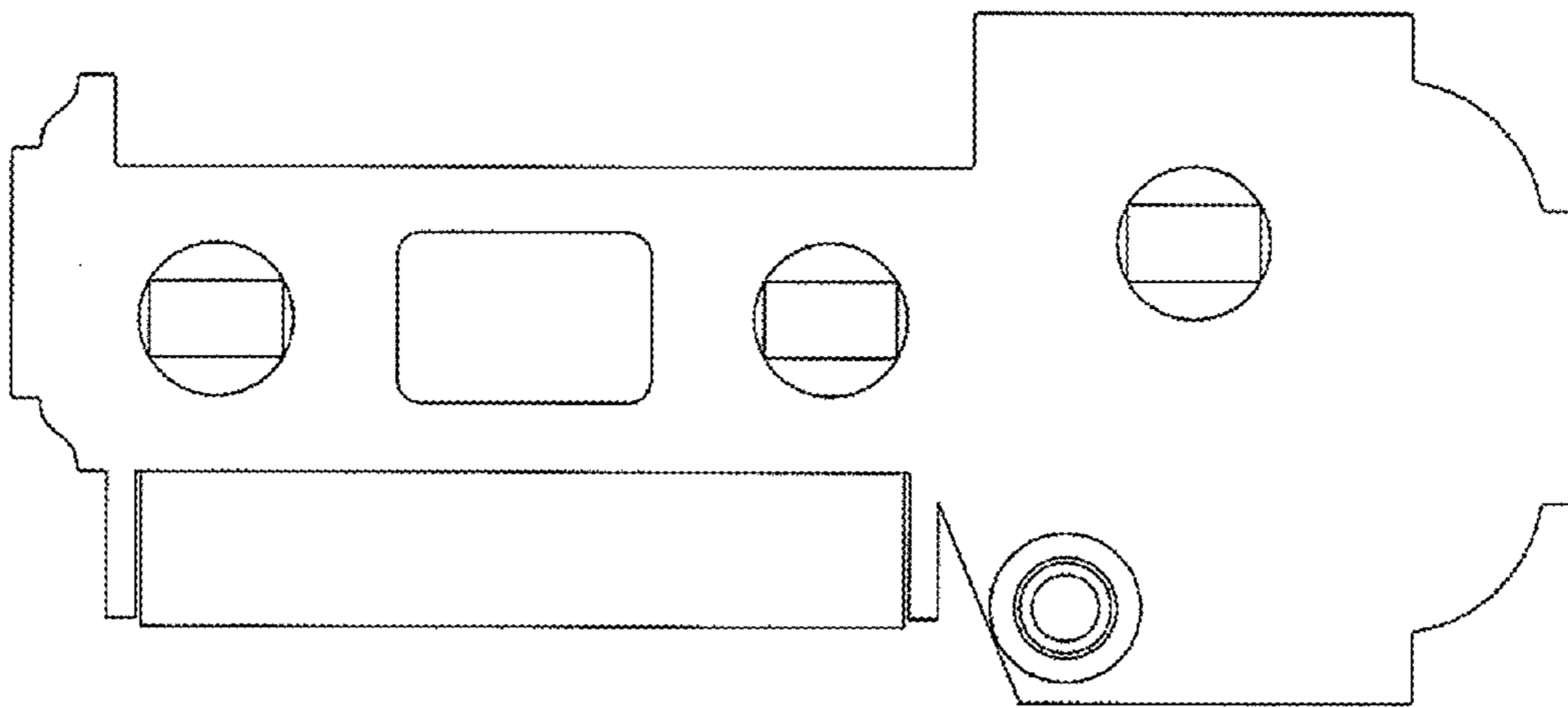


Fig. 8