



US00D775941S

(12) **United States Design Patent**
May et al.

(10) **Patent No.:** **US D775,941 S**

(45) **Date of Patent:** **** Jan. 10, 2017**

(54) **SQUARE LOCKNUT**
(71) Applicant: **Security Locknut LLC**, Vernon Hills, IL (US)
(72) Inventors: **David B. May**, Cary, IL (US);
Raymond Thomas Wiltgen, Deerfield, IL (US)

3,736,969 A * 6/1973 Warn F16B 37/068
411/179
D367,002 S * 2/1996 Grey D8/397
D415,411 S * 10/1999 Mensour D8/397
D451,791 S * 12/2001 Shinjo D8/397
D452,140 S * 12/2001 Shinjo D8/397
D551,960 S * 10/2007 Shinjo D8/397
D592,493 S * 5/2009 Wu D8/397
D631,336 S * 1/2011 Toumei D8/397

(Continued)

(73) Assignee: **Security Locknut, LLC**, Vernon Hills, IL (US)

Primary Examiner — Cynthia Underwood

(74) *Attorney, Agent, or Firm* — Adam K. Sacharoff;
Much Shelist

(**) Term: **14 Years**

(21) Appl. No.: **29/524,739**

(57) **CLAIM**

The ornamental design for a square locknut, as shown and described.

(22) Filed: **Apr. 23, 2015**

(51) **LOC (10) Cl.** **08-08**

(52) **U.S. Cl.**
USPC **D8/397**

DESCRIPTION

(58) **Field of Classification Search**
USPC D8/399, 382, 349, 397, 394
CPC F16B 31/028; F16B 39/28; F16B 41/005;
F16B 39/34; B65D 39/084; B60B 27/001;
B25B 13/485
See application file for complete search history.

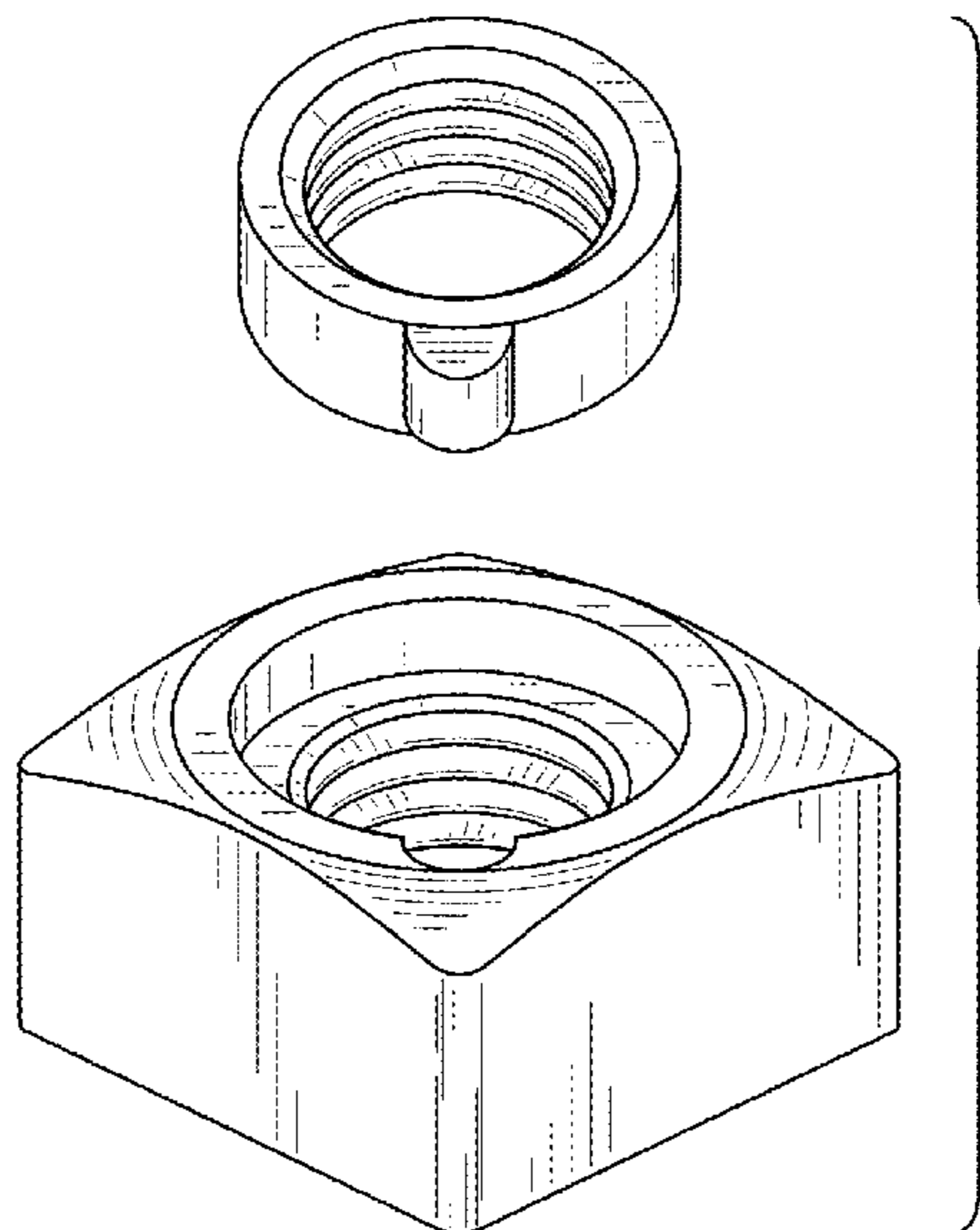
FIG. 1 is a front perspective view showing the new design in its component parts;
FIG. 2 is a front side view of FIG. 1;
FIG. 3 is a rear side view of FIG. 1;
FIG. 4 is a right side view of FIG. 1;
FIG. 5 is a left side view of FIG. 1;
FIG. 6 is a top side view of FIG. 1.
FIG. 7 is a bottom side view of FIG. 1;
FIG. 8 is a underside front perspective view of FIG. 1;
FIG. 9 is a front perspective view showing the new design illustrated in an assembled form;
FIG. 10 is a front side view of FIG. 9;
FIG. 11 is a rear side view of FIG. 9;
FIG. 12 is a right side view of FIG. 9;
FIG. 13 is a left side view of FIG. 9;
FIG. 14 is a top side view of FIG. 9.
FIG. 15 is a bottom side view of FIGS. 9; and,
FIG. 16 is a underside front perspective view of FIG. 9.

(56) **References Cited**

U.S. PATENT DOCUMENTS

39,273 A * 7/1863 Howes D06F 1/00
68/40
D29,517 S * 10/1898 Larew 411/191
3,219,790 A * 11/1965 Johnson B23K 11/14
219/93
3,269,250 A * 8/1966 Curtiss F16B 23/0023
411/410
3,522,830 A * 8/1970 Blizard F16B 39/34
411/303
D223,747 S * 6/1972 Shinjo D8/397
D226,518 S * 3/1973 Wetherill et al. D8/397

1 Claim, 10 Drawing Sheets



(56)

References Cited

U.S. PATENT DOCUMENTS

D632,763 S *	2/2011	McCarthy	D23/262
D744,821 S *	12/2015	May	D8/397
D758,169 S *	6/2016	Deleu	D8/349
D763,663 S *	8/2016	Deleu	D8/349

* cited by examiner

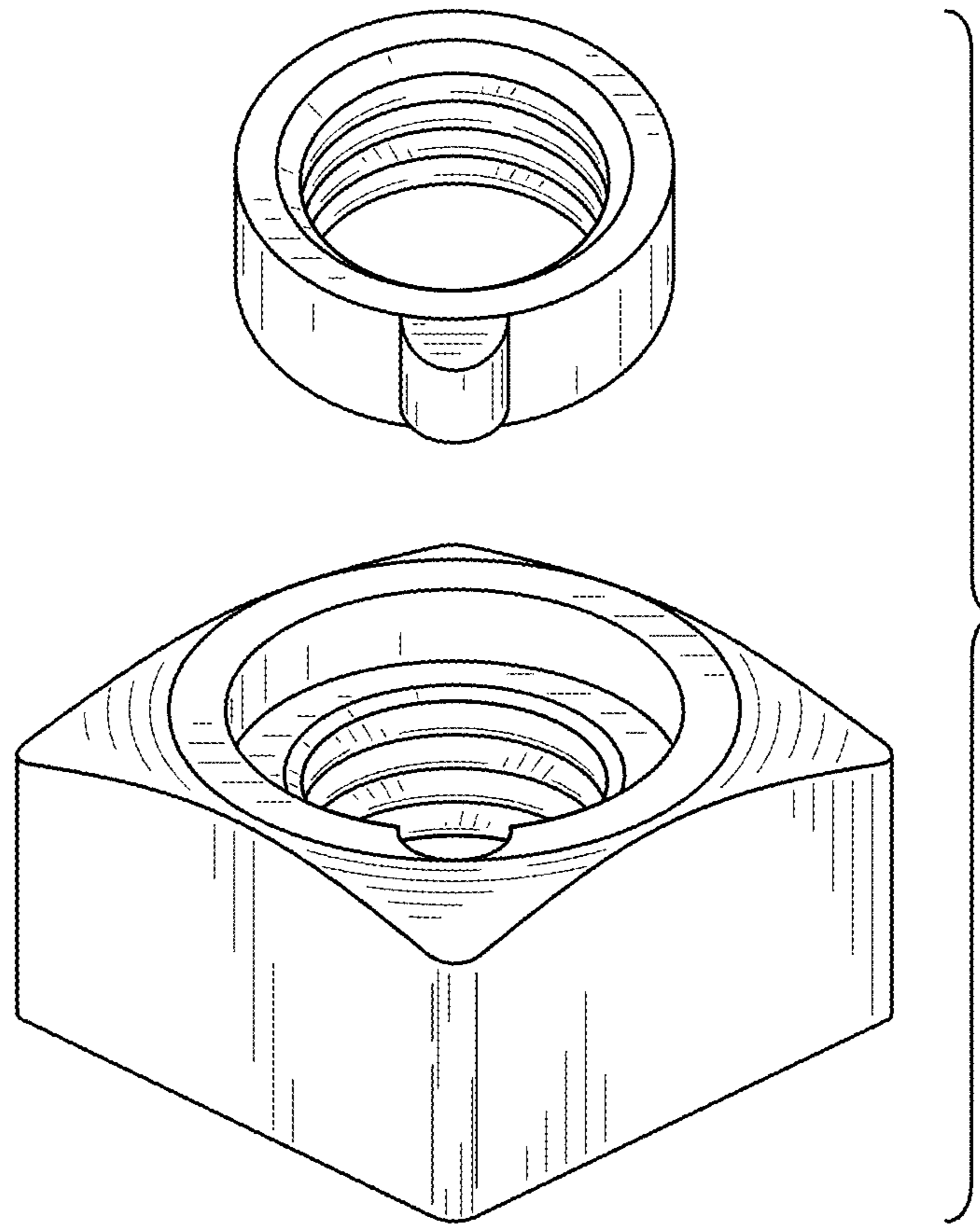


FIG. 1

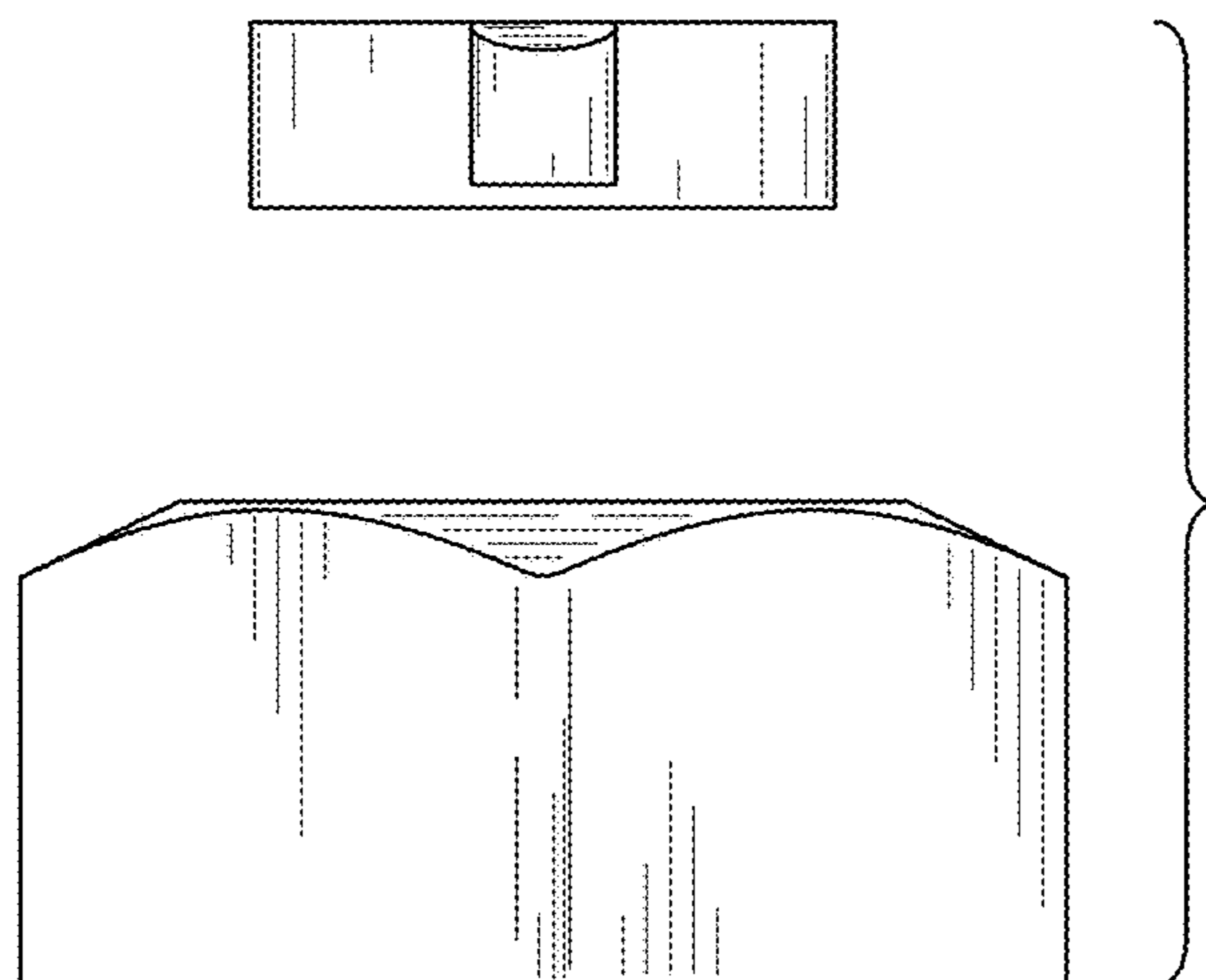


FIG. 2

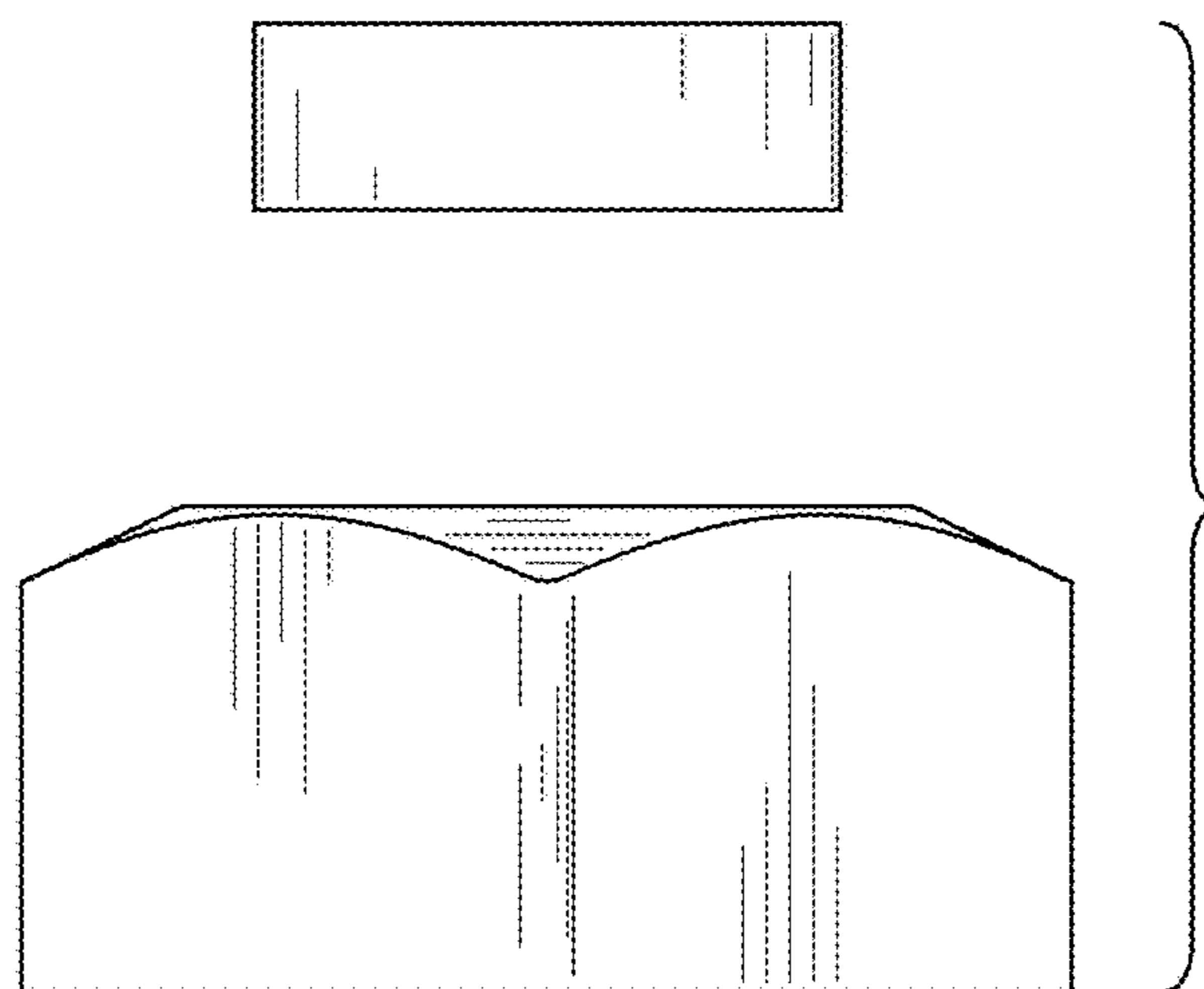


FIG. 3

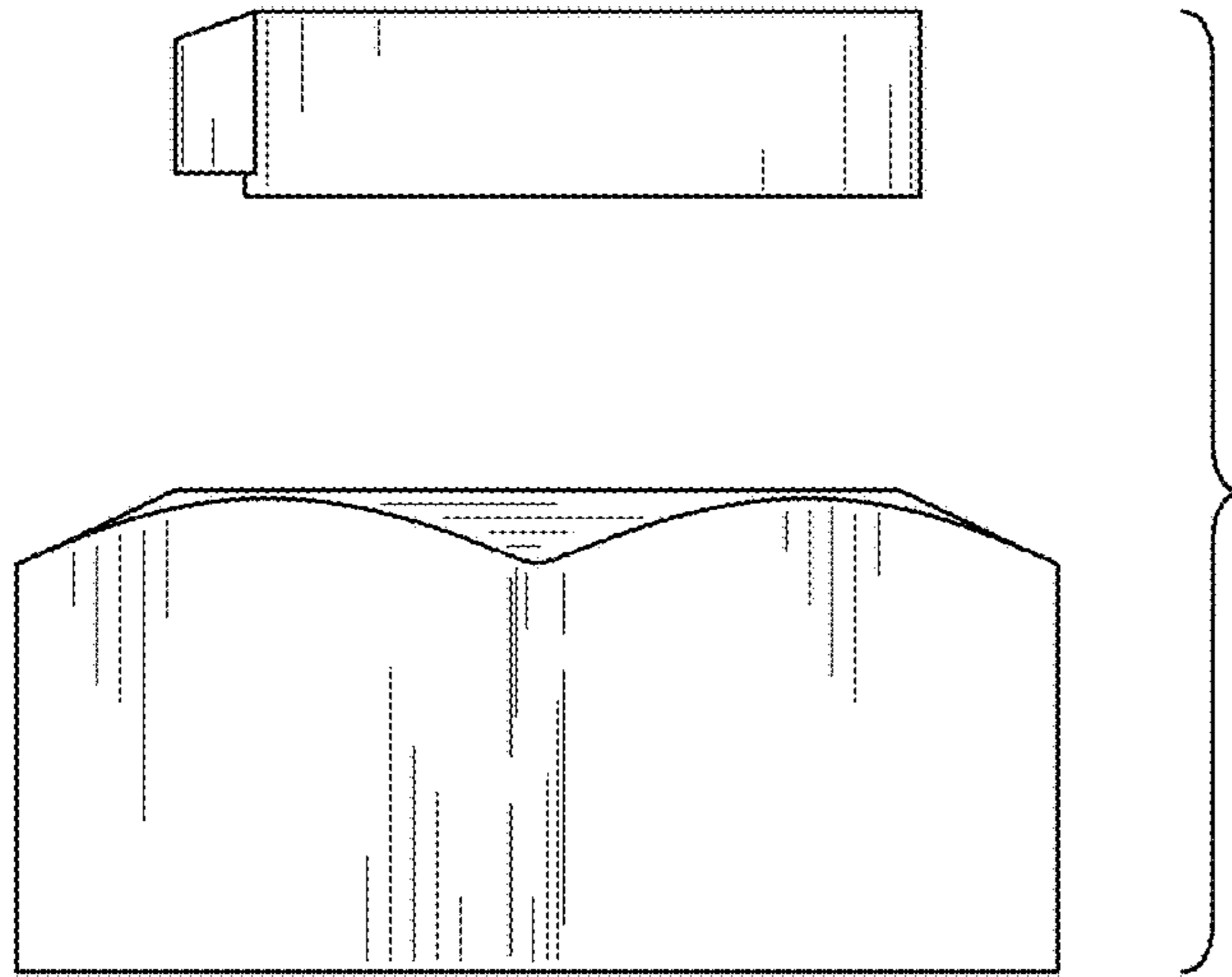


FIG. 4

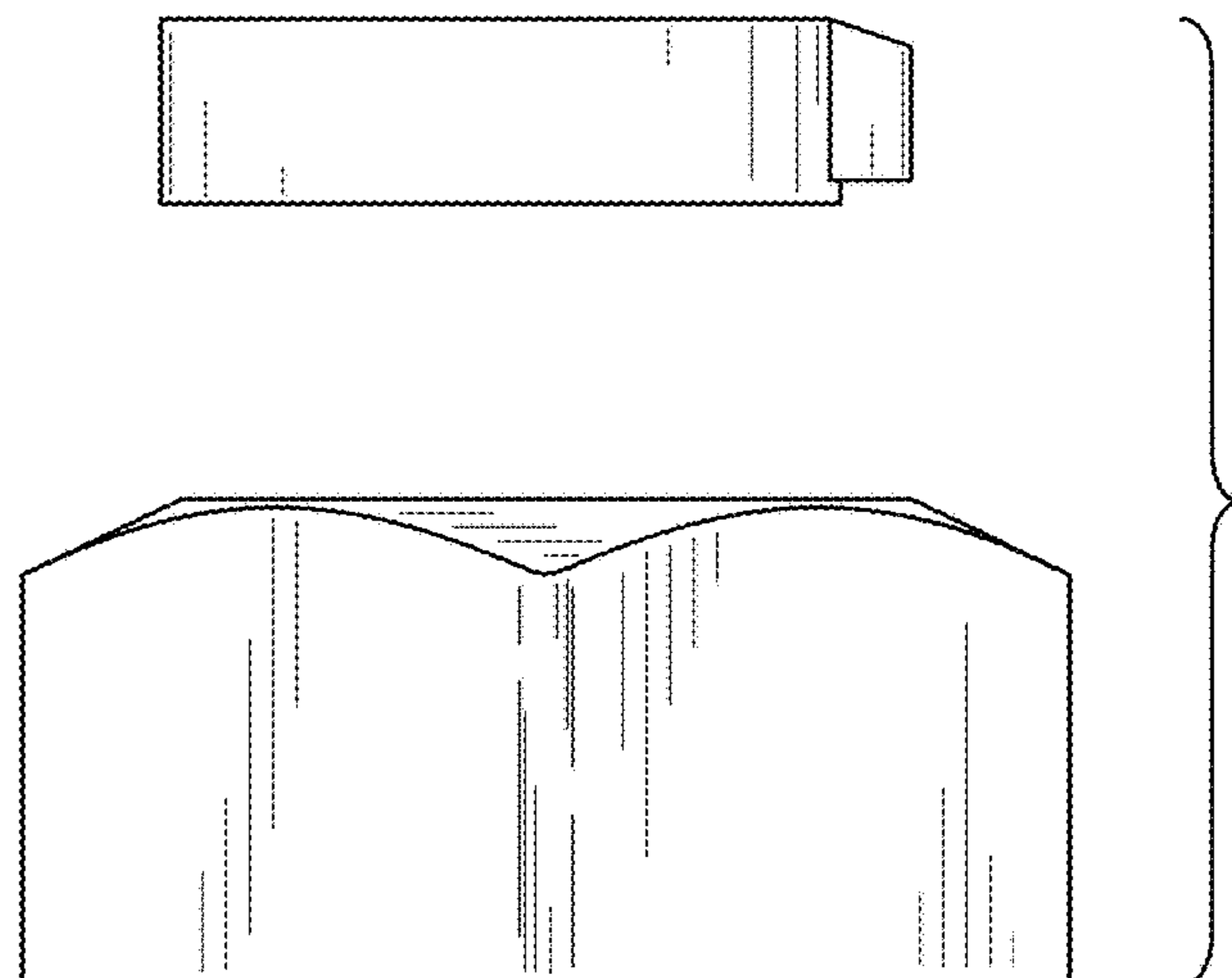


FIG. 5

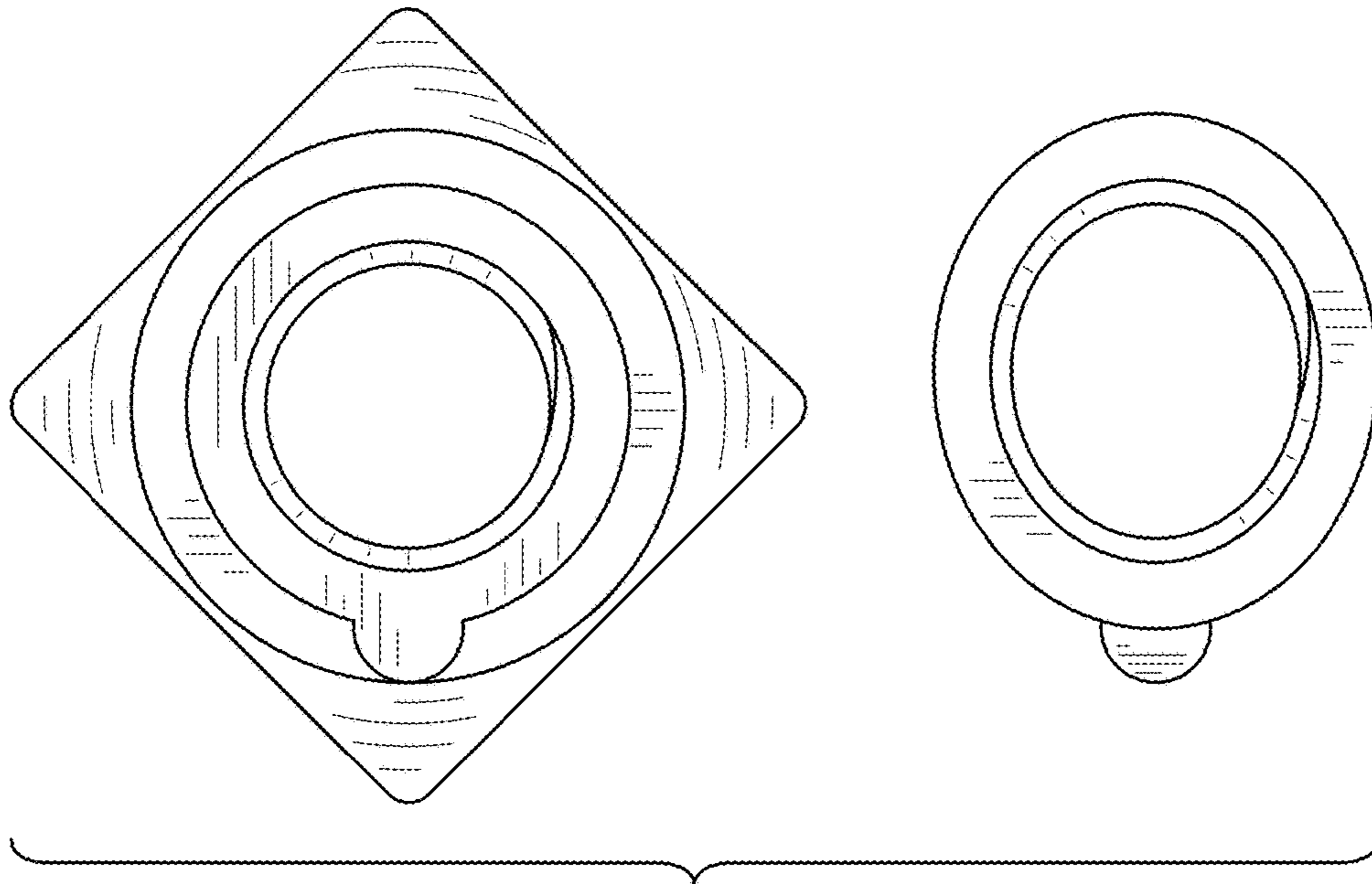


FIG. 6

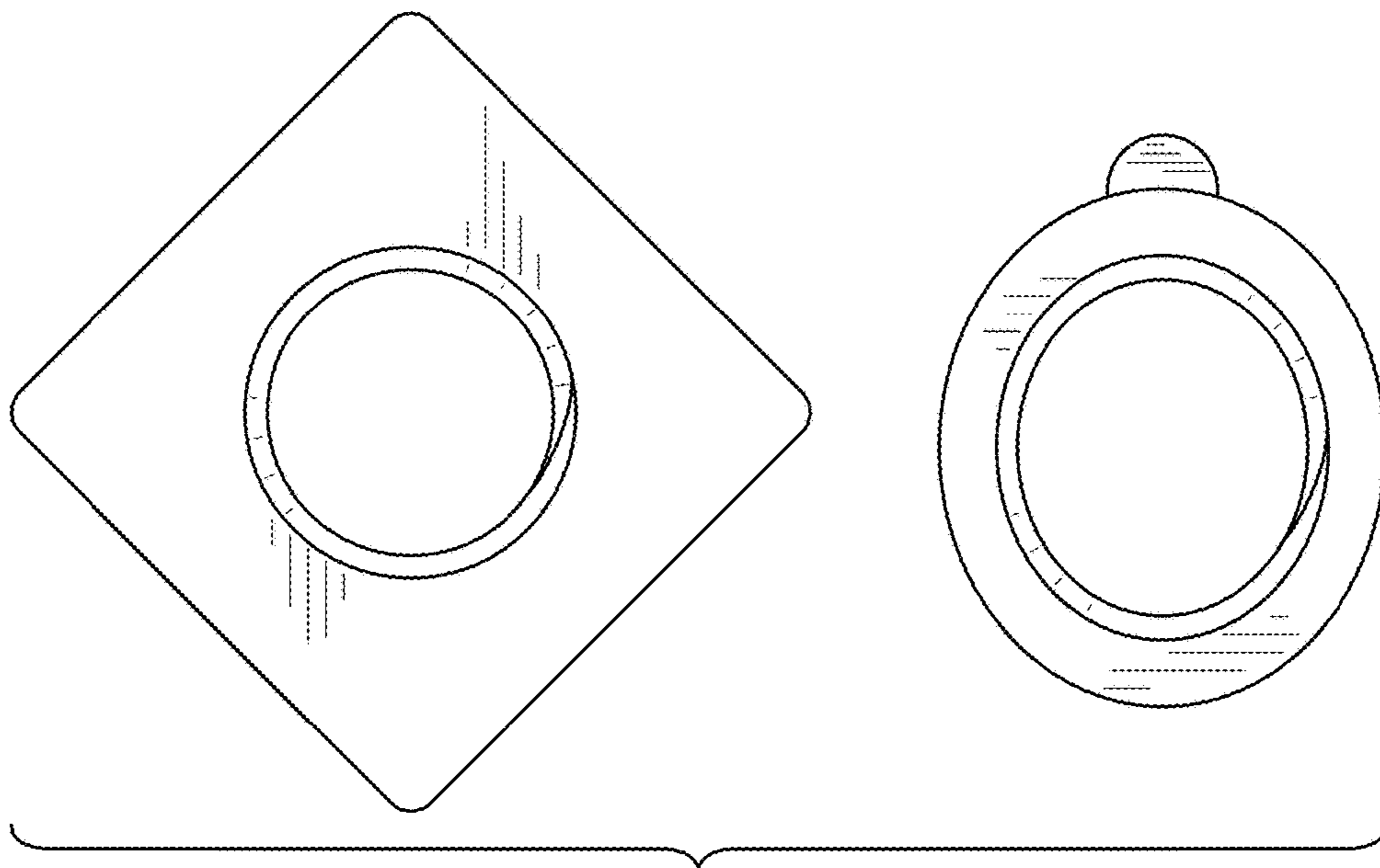


FIG. 7

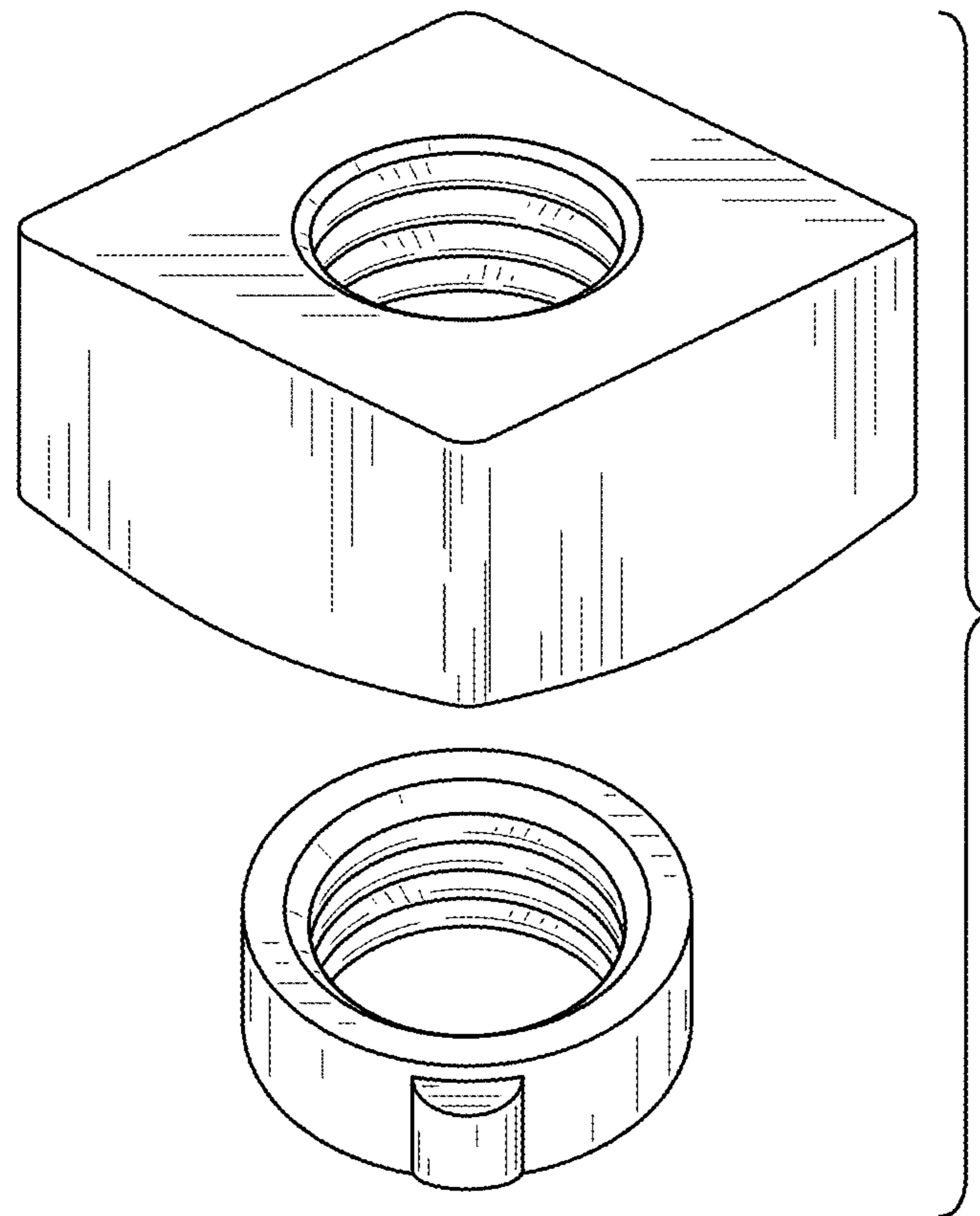


FIG. 8

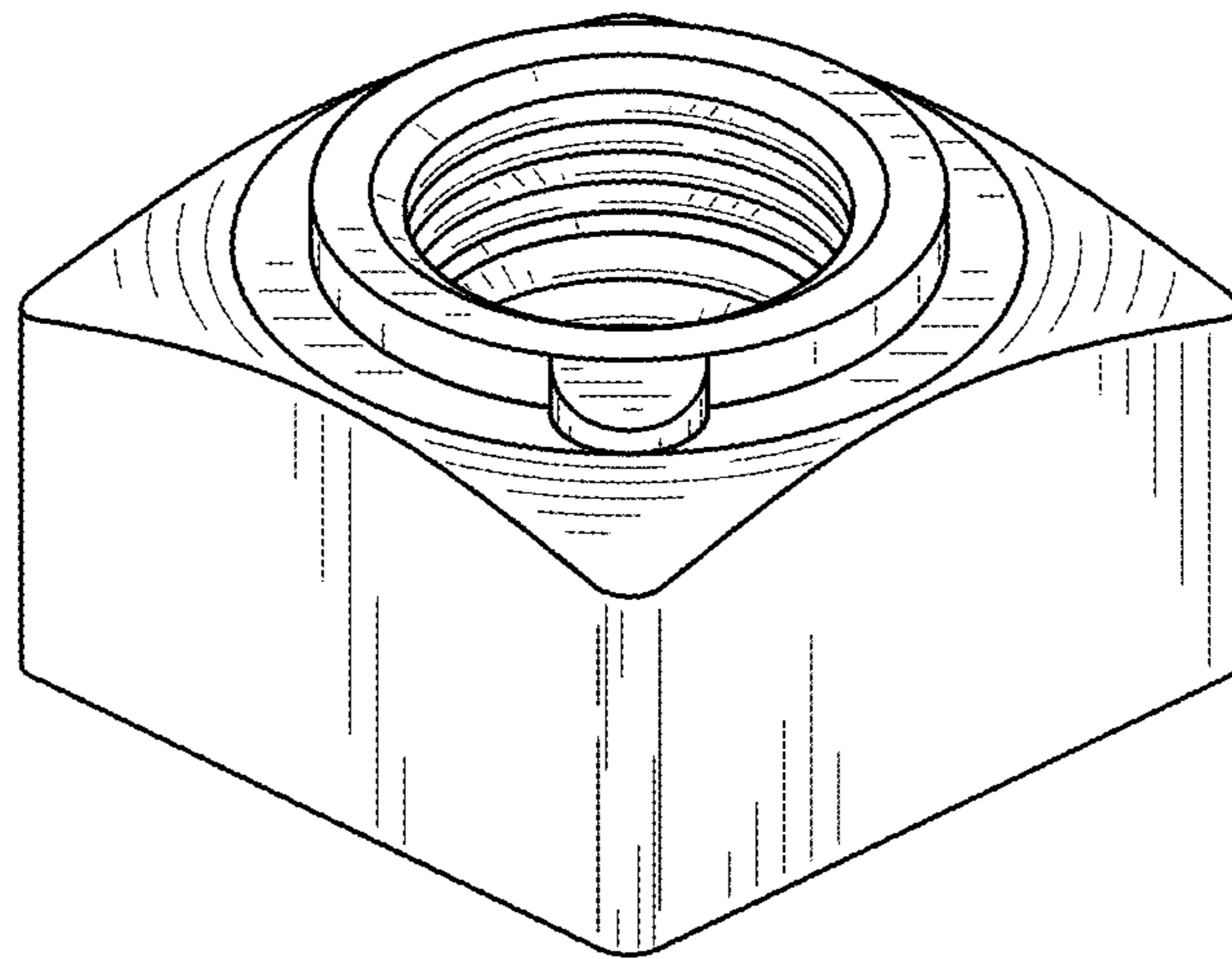


FIG. 9

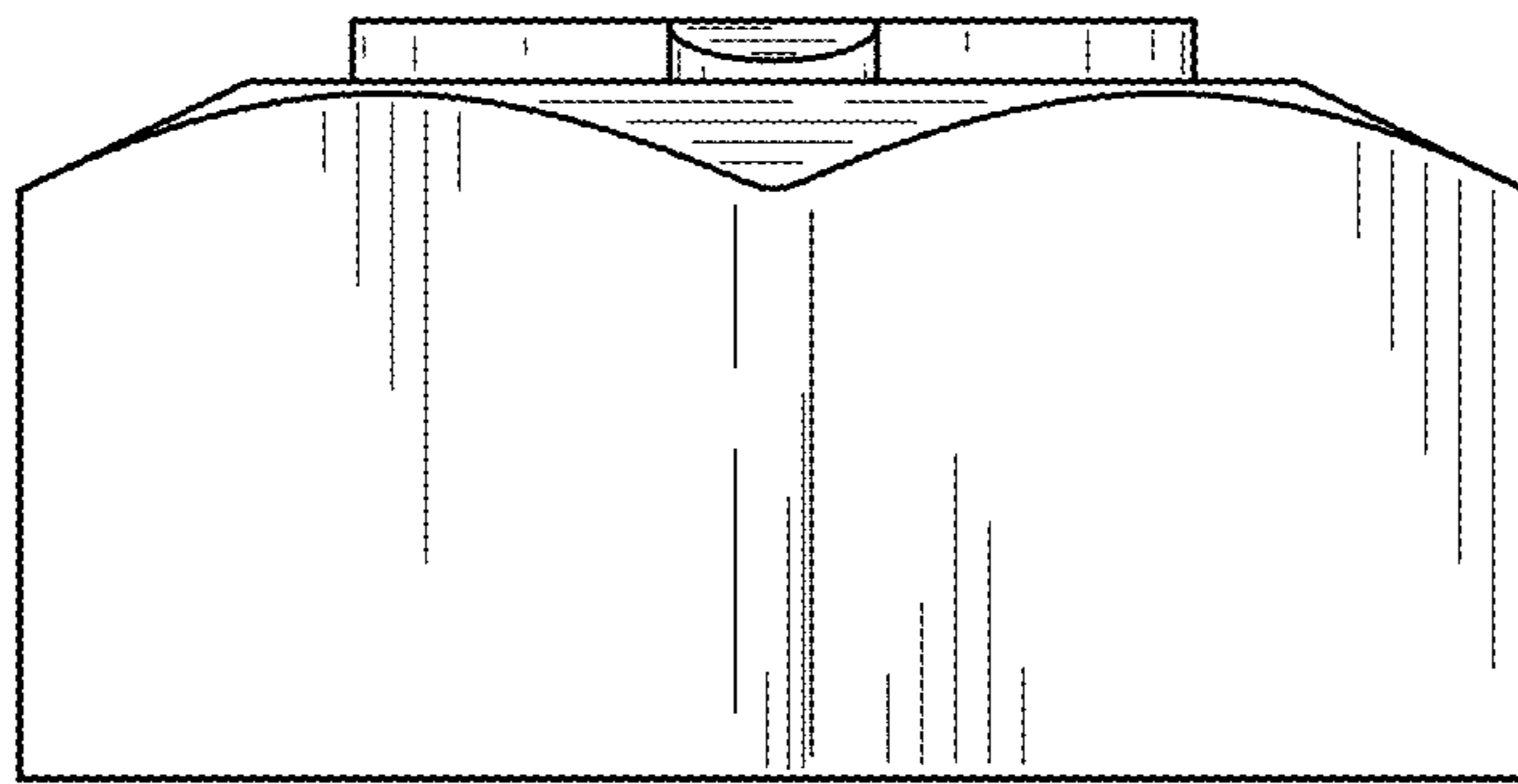


FIG. 10

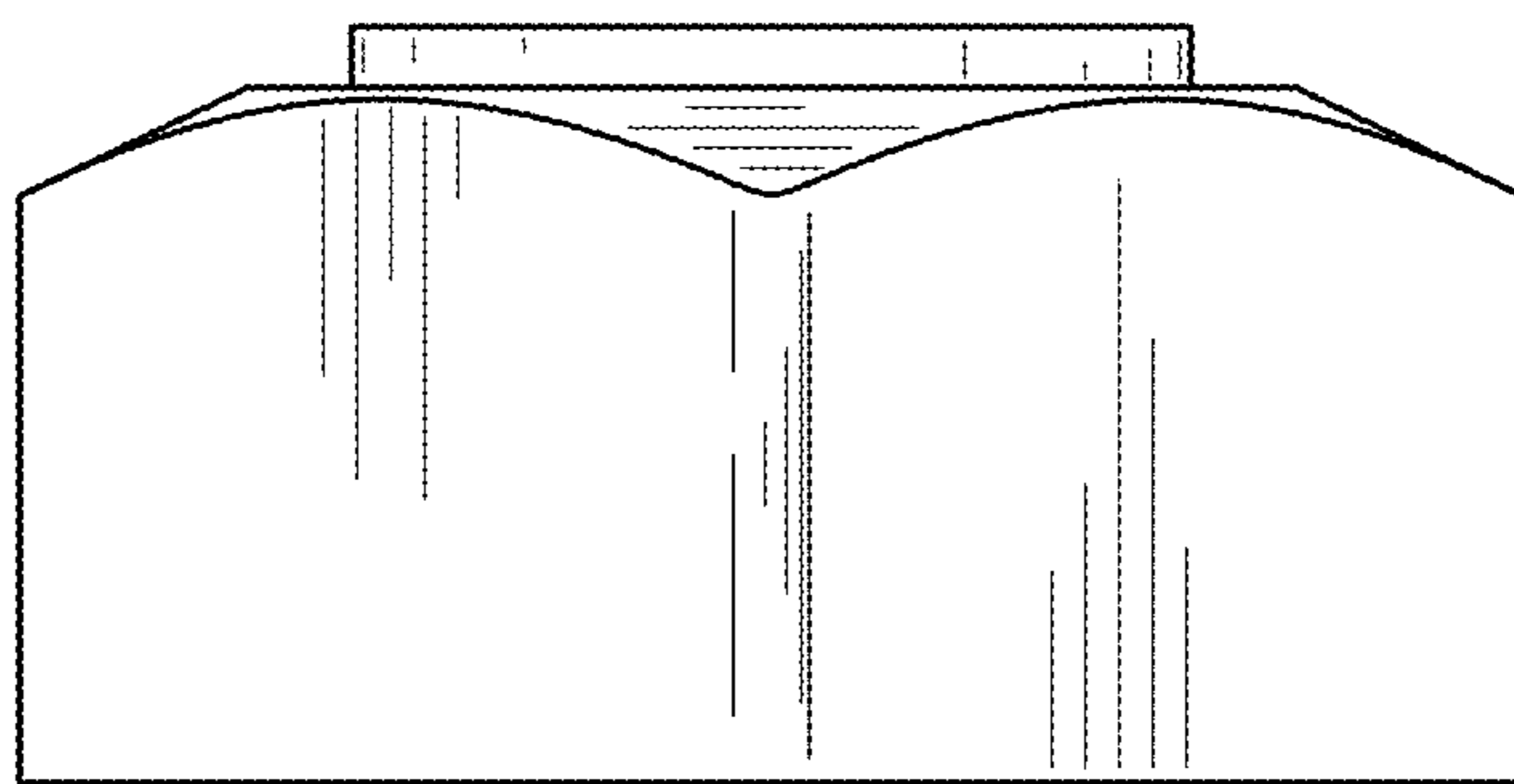


FIG. 11

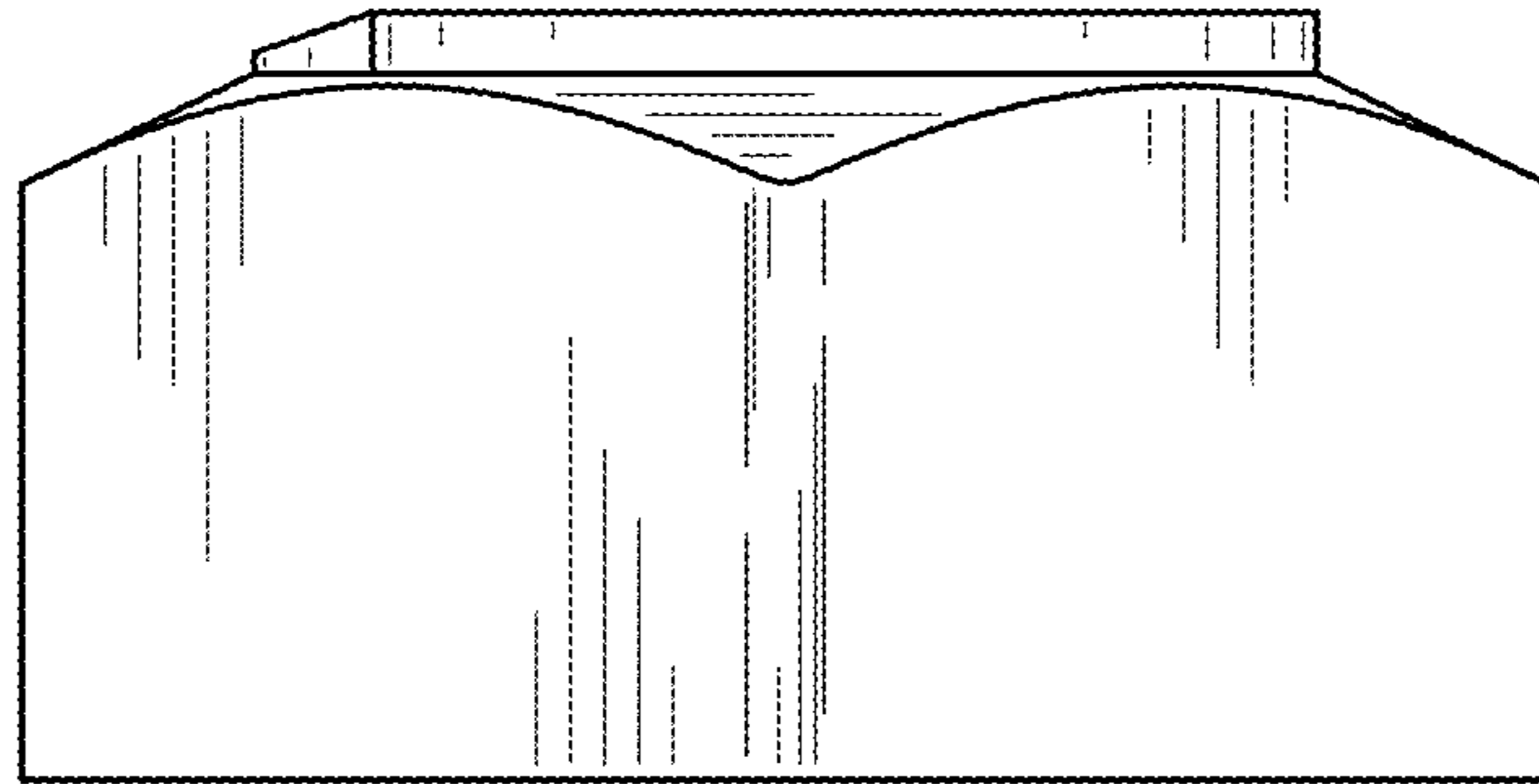


FIG. 12

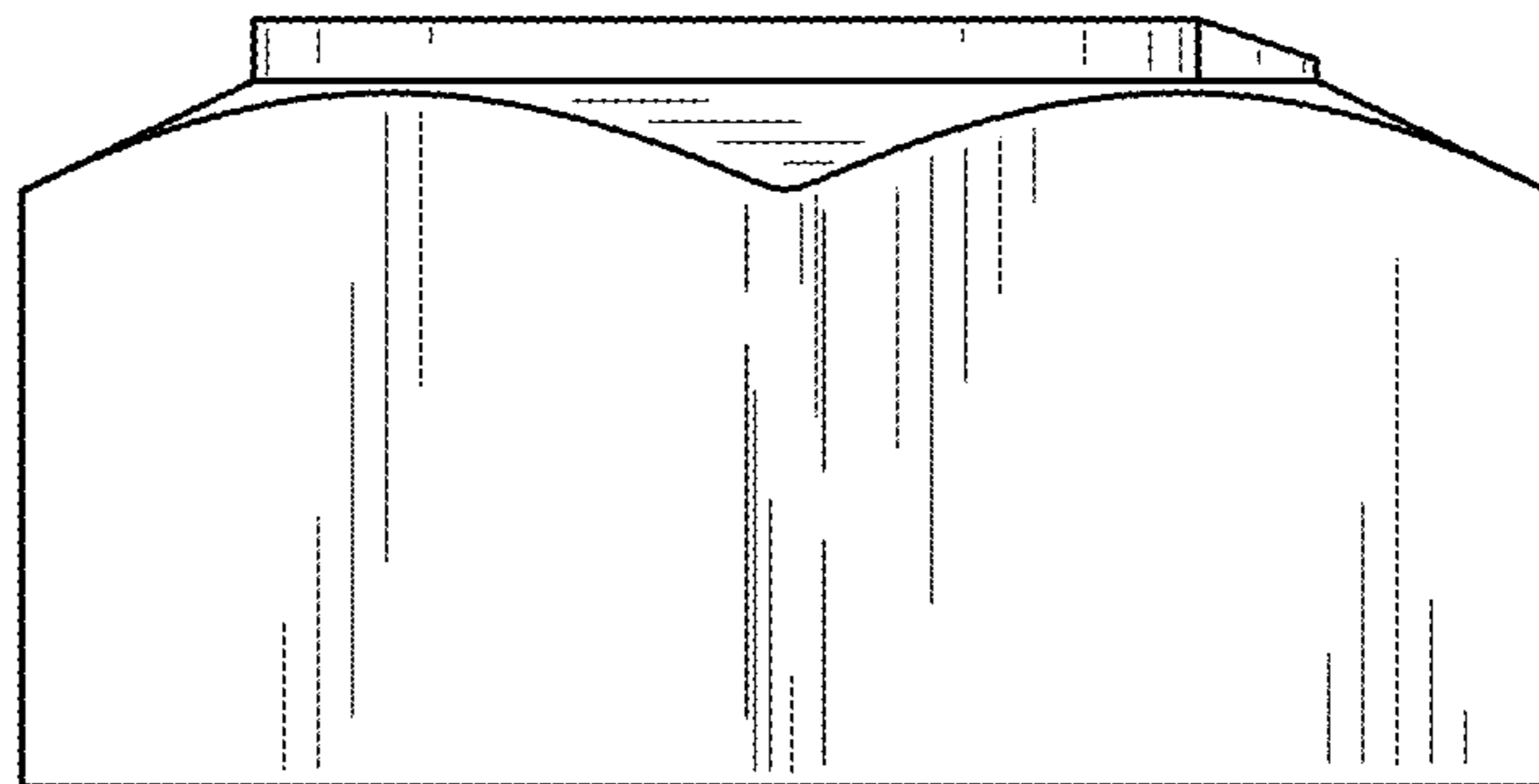


FIG. 13

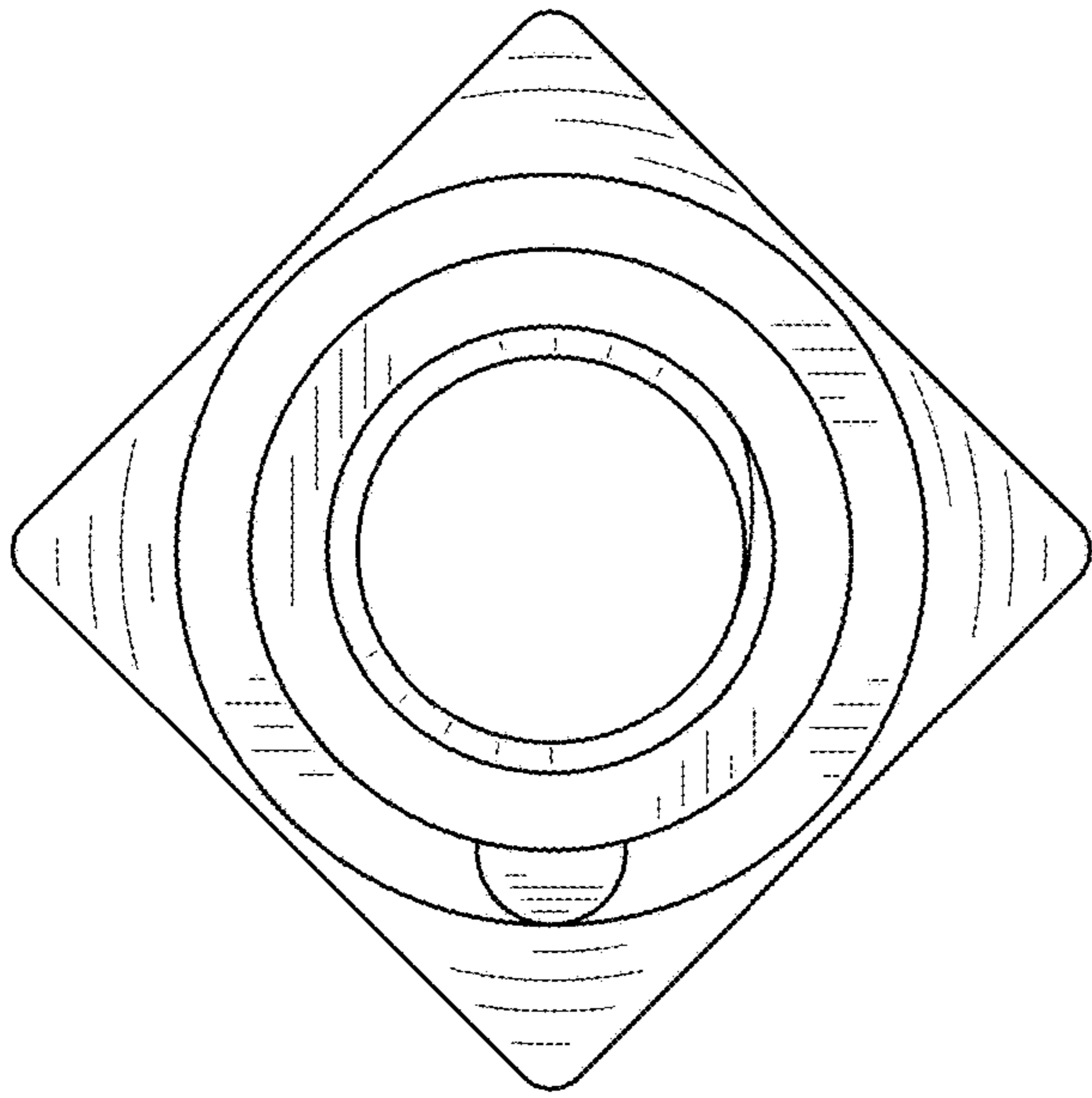


FIG. 14

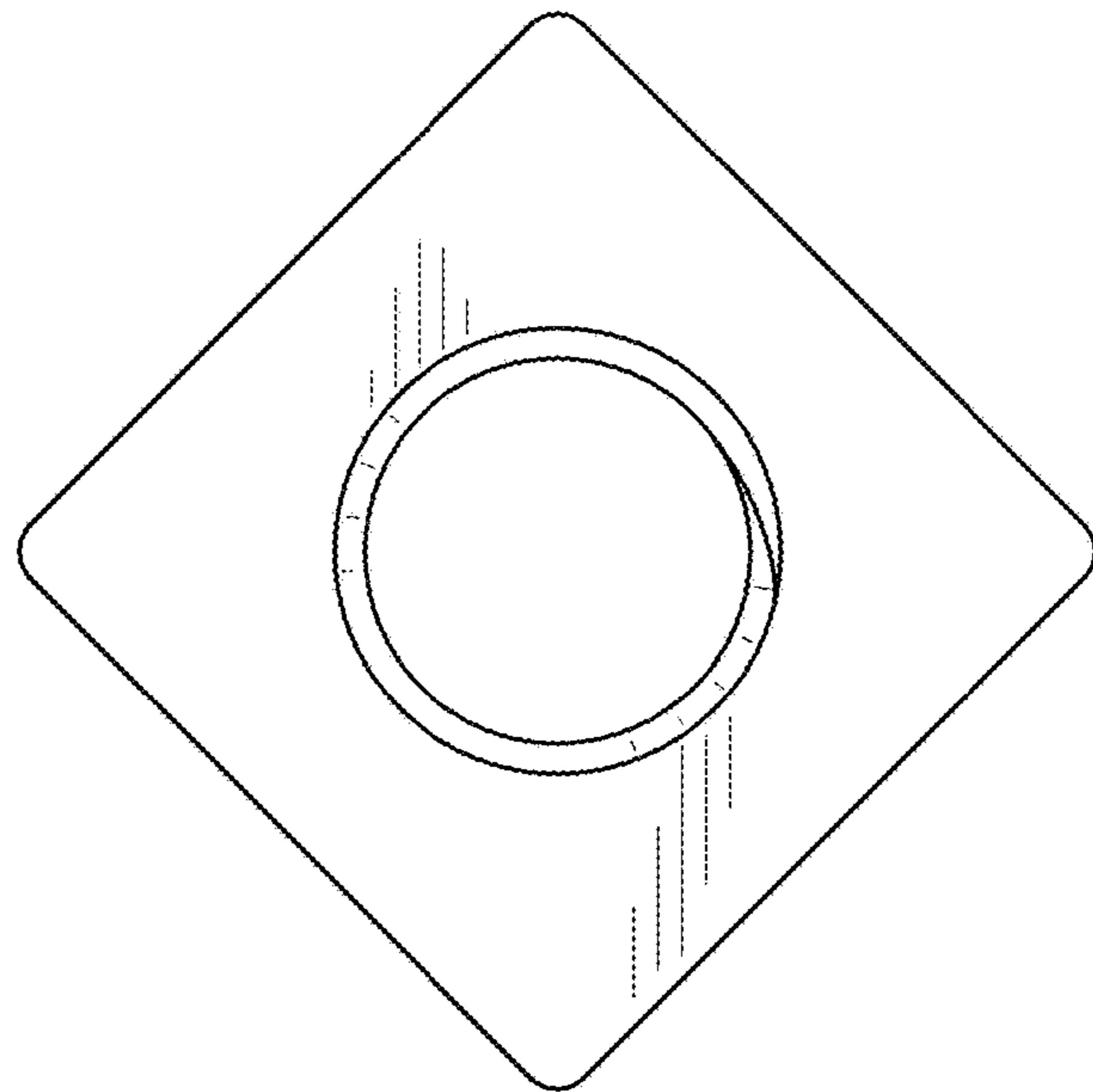


FIG. 15

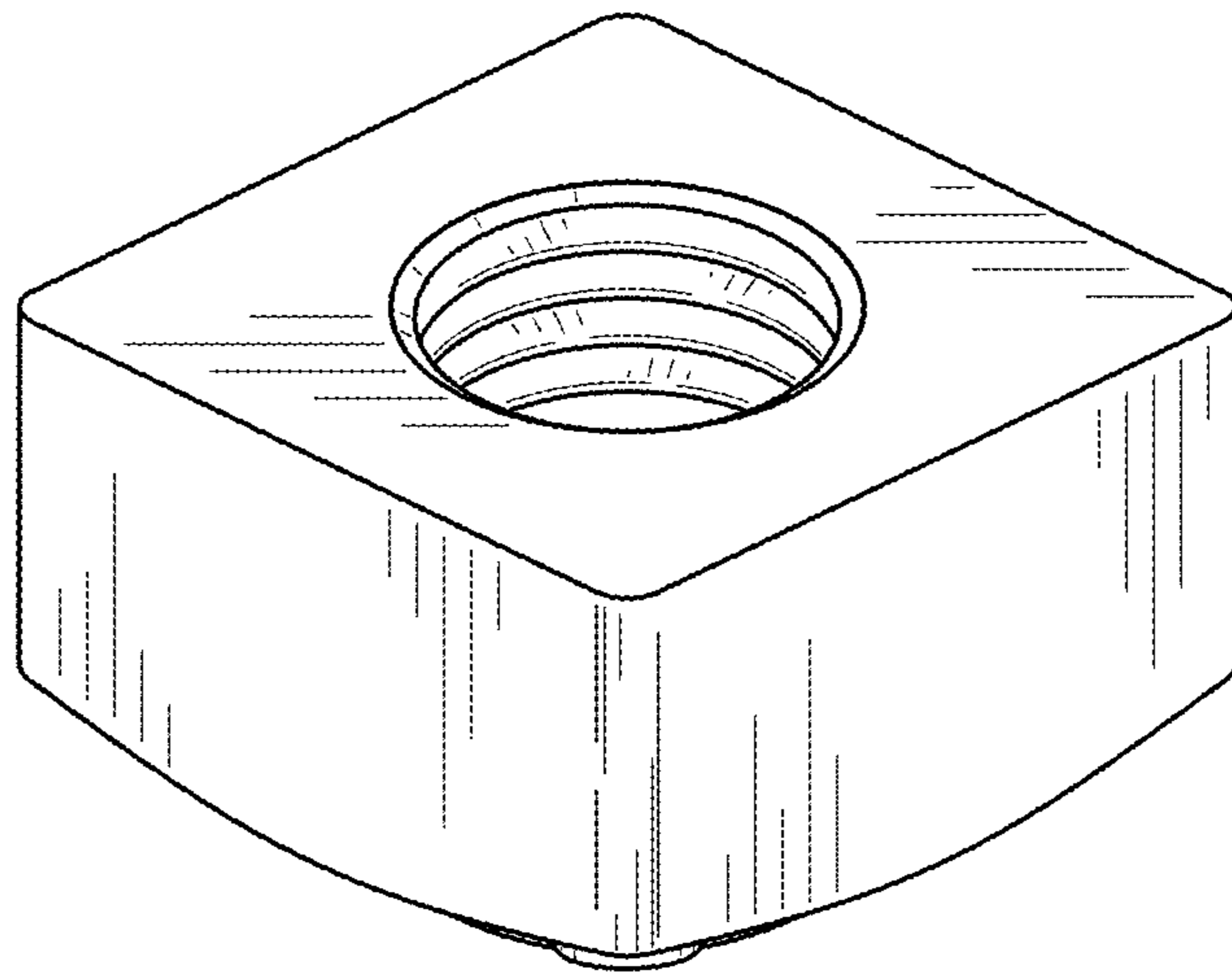


FIG. 16