



US00D775940S

(12) **United States Design Patent** (10) **Patent No.:** **US D775,940 S**
Klatka (45) **Date of Patent:** **** Jan. 10, 2017**

(54) **PVC SWIVEL CONNECTOR**
 (71) Applicant: **James Klatka**, Chardon, OH (US)
 (72) Inventor: **James Klatka**, Chardon, OH (US)
 (**) Term: **14 Years**
 (21) Appl. No.: **29/463,924**
 (22) Filed: **Apr. 10, 2014**
 (51) **LOC (10) Cl.** **08-08**
 (52) **U.S. Cl.**
 USPC **D8/382**
 (58) **Field of Classification Search**
 USPC D8/382, 349, 345, 363, 373, 374, 376,
 D8/380, 394, 499; D25/38.1, 44, 127,
 D25/133, 134, 199
 CPC E04H 17/14; E04H 2017/1447; E04H
 2017/1491; E04H 2017/1456; E04H
 2017/1486; E04H 17/1421; E04H 17/20;
 E04H 2017/1473; F16C 11/04
 See application file for complete search history.

2013/0119335 A1* 5/2013 Park E04F 11/1817
 256/67
 2014/0186096 A1* 7/2014 Collin E04B 1/2604
 403/66
 2014/0199112 A1* 7/2014 Milner E04F 11/1834
 403/72
 2014/0241788 A1* 8/2014 Heath F16C 11/12
 403/57
 2015/0247342 A1* 9/2015 Honein E04H 17/1421
 256/65.03
 2015/0292235 A1* 10/2015 Klatka E04H 17/14
 403/68

* cited by examiner

Primary Examiner — Sheryl Lane
Assistant Examiner — Ieisha Price
 (74) *Attorney, Agent, or Firm* — Fay Sharpe LLP

(57) **CLAIM**

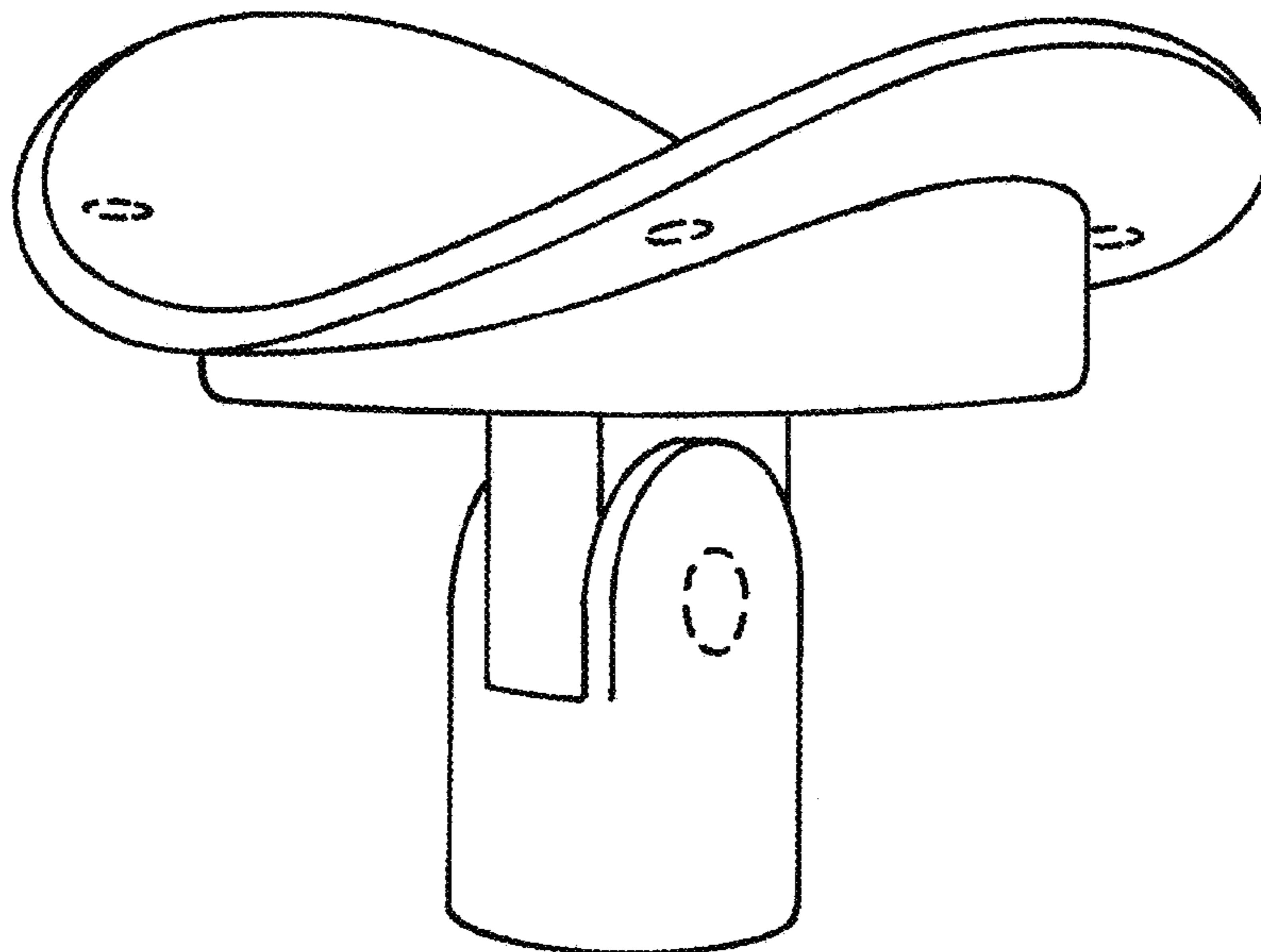
I claim the PVC swivel connector invention, as described and shown.

DESCRIPTION

FIG. 1 is a top perspective view.
 FIG. 2 is a side view.
 FIG. 3 is a top view; and,
 FIG. 4 is a front view.
 The PVC swivel connector is a unique design used to connect PVC piping to make portable fencing and permanent fences or many other things of use. The swivel portion allows piping to be placed at any angle and on any surface. It can be constructed very quickly and broken down just as quickly. It makes the fencing very inexpensive and very handy to carry around and set up.

1 Claim, 4 Drawing Sheets

(56) **References Cited**
 U.S. PATENT DOCUMENTS
 1,822,389 A * 9/1931 Blakely F16B 7/0486
 248/62
 D466,395 S * 12/2002 Van Houten, II D8/354
 D495,434 S * 8/2004 Cooper D25/133
 D534,792 S * 1/2007 Cooper D25/133
 D560,476 S * 1/2008 Jones D8/382
 D561,017 S * 2/2008 Carney D8/382
 D594,314 S * 6/2009 Hutter, III D8/354
 D633,374 S * 3/2011 Diener D8/382
 D744,321 S * 12/2015 Boynton D8/363
 2006/0033093 A1* 2/2006 Lo E04H 17/1443
 256/65.02



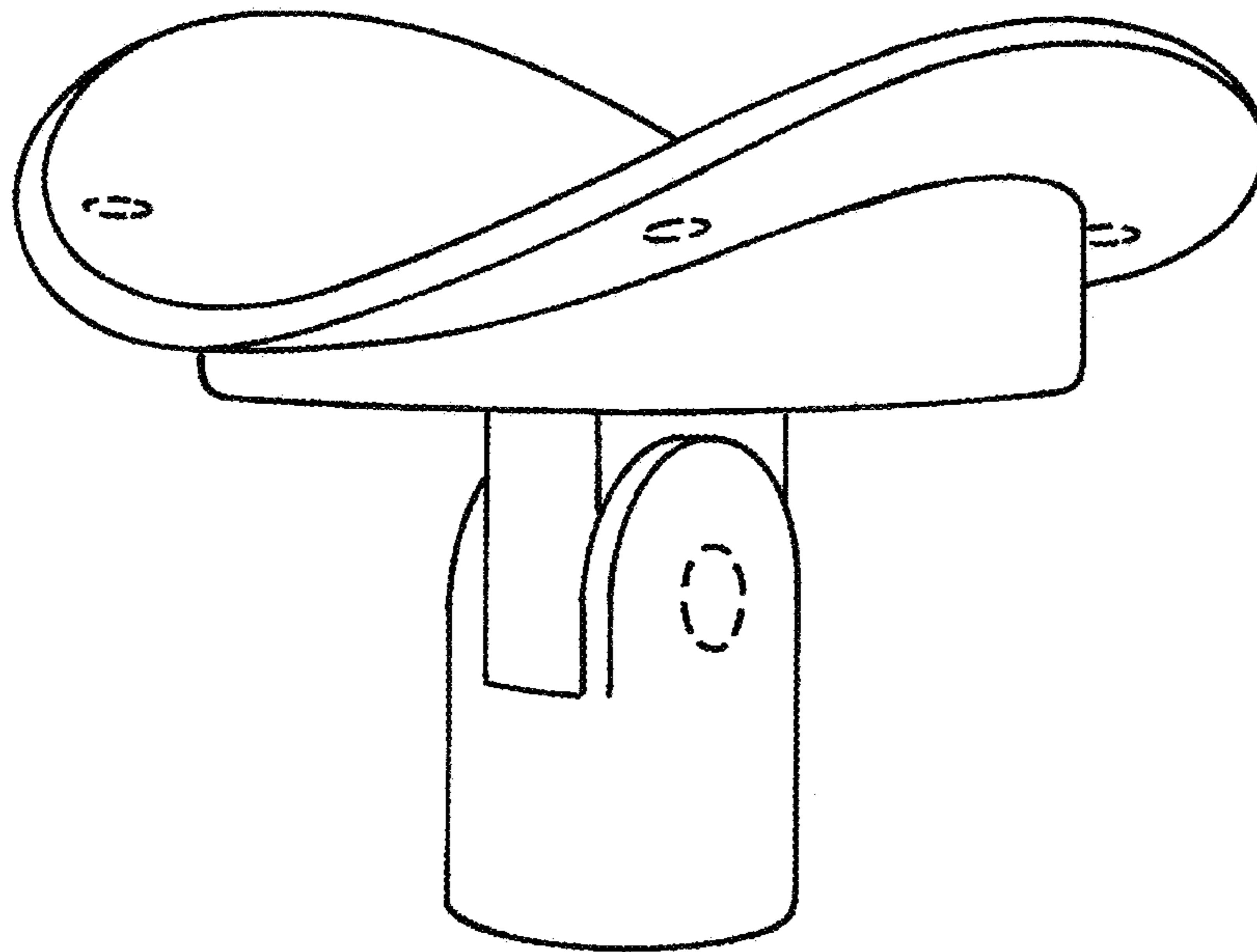


FIG. 1

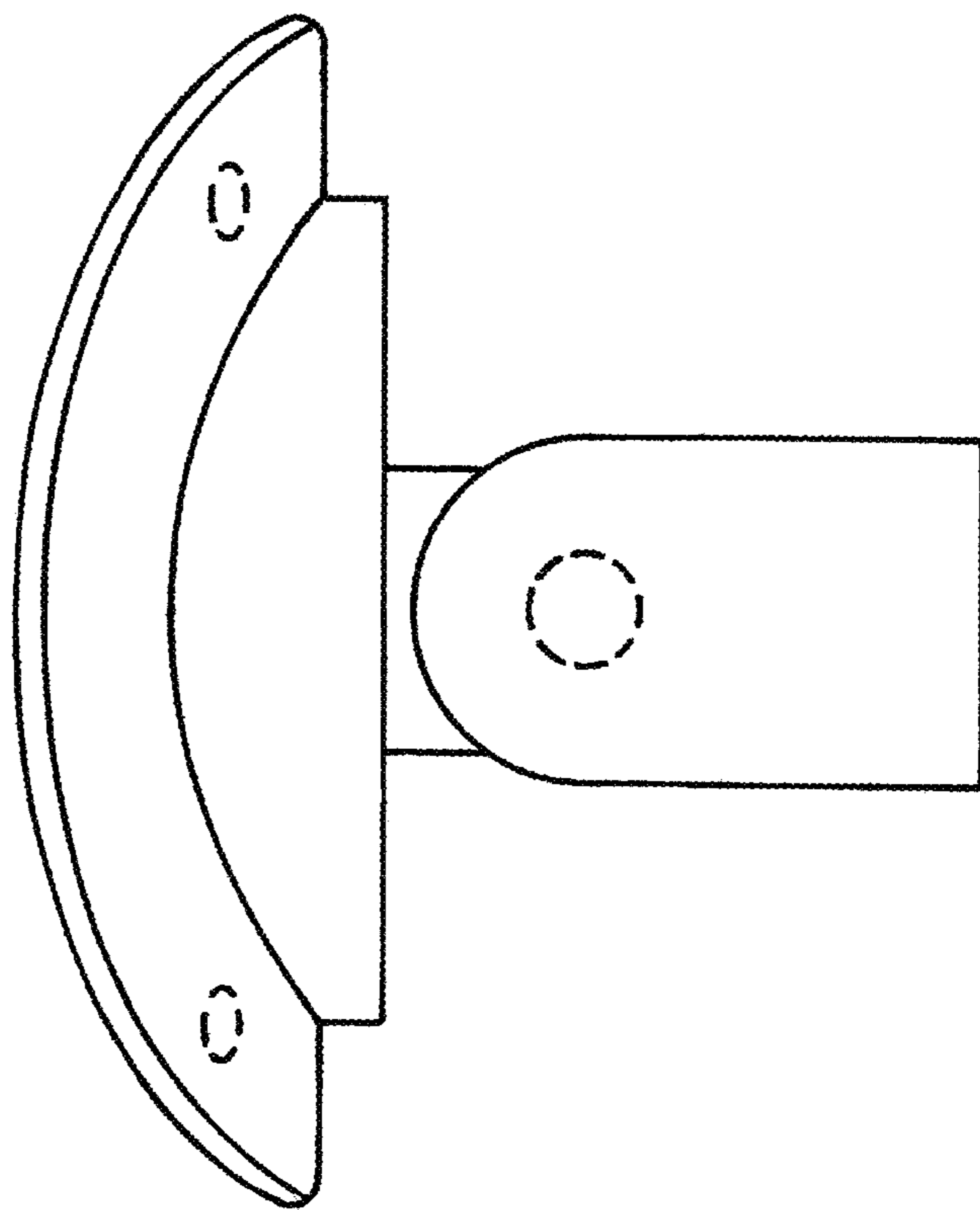


FIG. 2

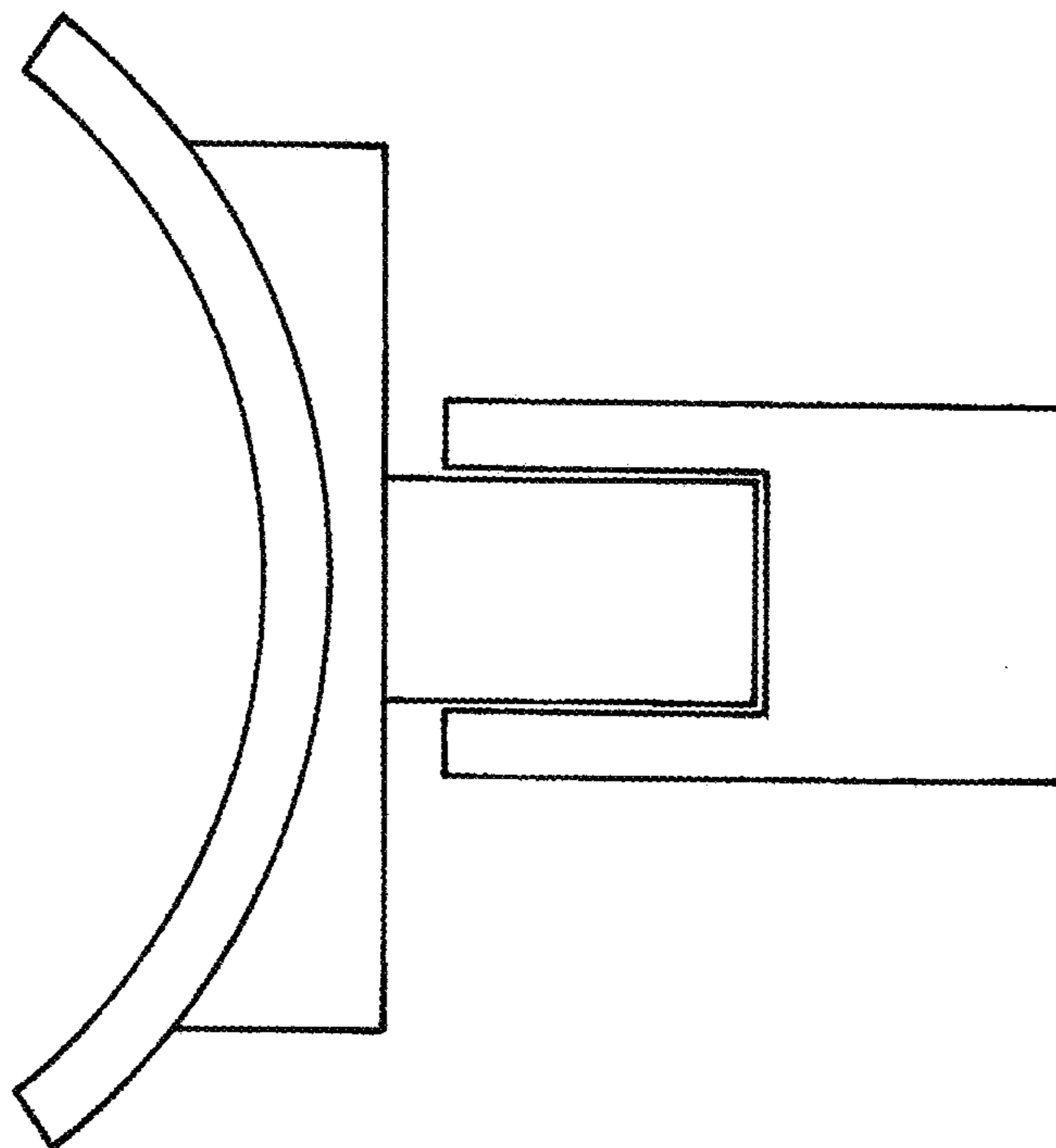


FIG. 3

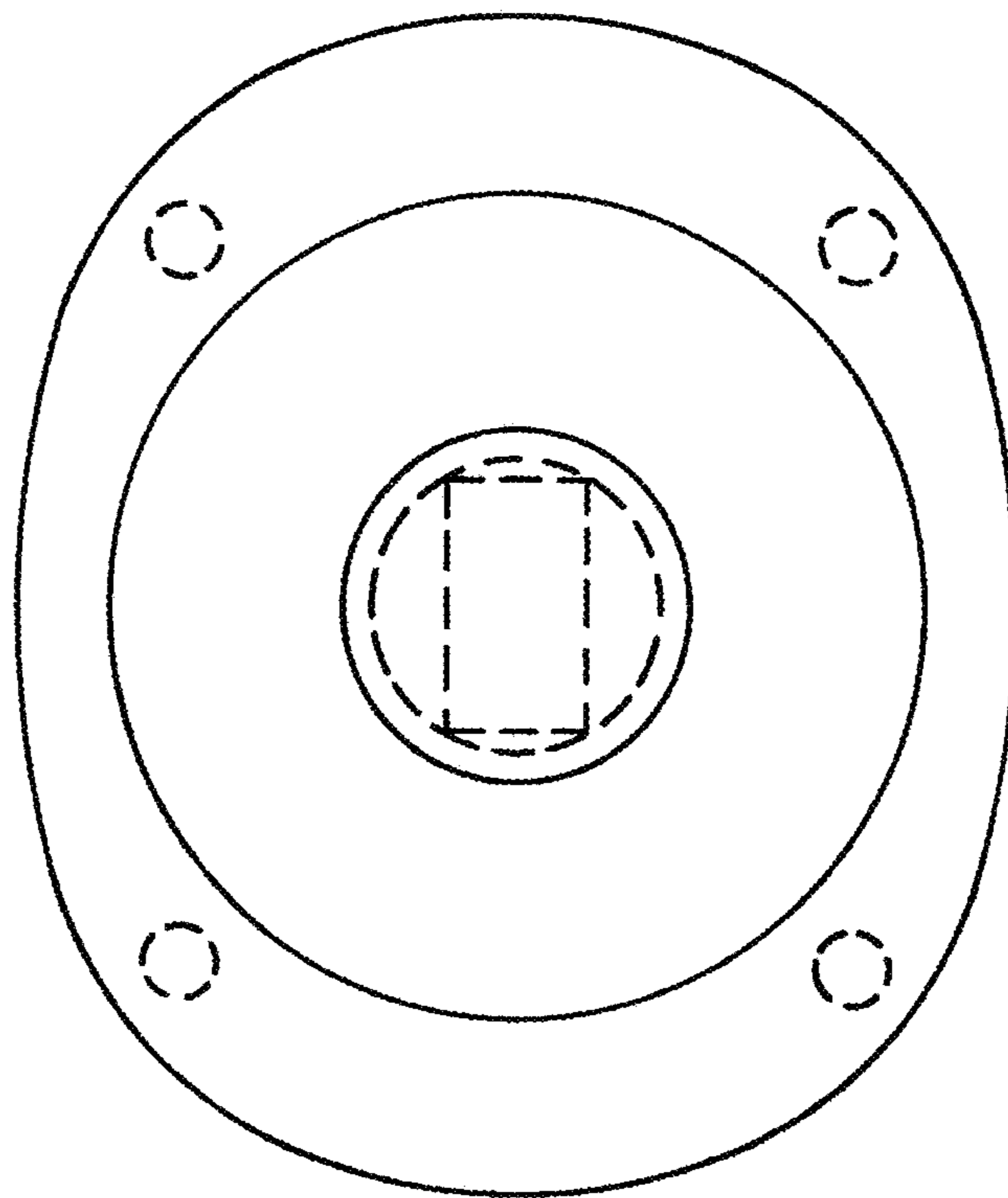


FIG. 4