



US00D775939S

(12) **United States Design Patent** (10) **Patent No.:** **US D775,939 S**
Ng (45) **Date of Patent:** **** Jan. 10, 2017**

(54) **END BRACKET FOR A DUAL CASSETTE
ROLLER SHADE**

(71) Applicant: **ZMC Metal Coating Inc.**, Woodbridge
(CA)

(72) Inventor: **Philip Ng**, Thornhill (CA)

(73) Assignee: **ZMC Metal Coating Inc.**, Woodbridge
(CA)

(**) Term: **14 Years**

(21) Appl. No.: **29/524,435**

(22) Filed: **Apr. 20, 2015**

(30) **Foreign Application Priority Data**

Feb. 6, 2015 (CA) 160825

(51) **LOC (10) Cl.** **08-05**

(52) **U.S. Cl.**
USPC **D8/380**

(58) **Field of Classification Search**
USPC D8/381, 380, 356, 354, 349
CPC E06B 9/50; E06B 9/42; E06B 9/78;
E06B 9/174; E06B 9/72; E06B
9/90; A47H 1/13; A47H 1/16; A47H
1/12; A47H 1/122; A47H 7/02; A47H
1/022; B60J 1/2063; B60J 1/2075; Y10S
160/12; Y10S 160/903

See application file for complete search history.

(56) **References Cited**

U.S. PATENT DOCUMENTS

D302,239 S * 7/1989 Russell D8/343
D408,722 S * 4/1999 Sartini D8/363
D445,019 S * 7/2001 Vitetta D8/349
6,666,251 B2 * 12/2003 Ikle E06B 9/11
160/120

8,820,386 B2 * 9/2014 Mullet E06B 9/40
160/133
D731,876 S * 6/2015 Di Stefano D8/363
D732,932 S * 6/2015 Ng D8/354
D740,589 S * 10/2015 Ng D6/580
D753,933 S * 4/2016 Ng D6/580
2012/0291964 A1 * 11/2012 Marocco E06B 9/262
160/120
2014/0166218 A1 * 6/2014 Ng E06B 9/42
160/120
2015/0247362 A1 * 9/2015 Kirby E06B 9/44
160/310

* cited by examiner

Primary Examiner — Robert M Spear
Assistant Examiner — Eliza Bennett-Hattan
(74) *Attorney, Agent, or Firm* — Honigman Miller
Schwartz and Cohn LLP

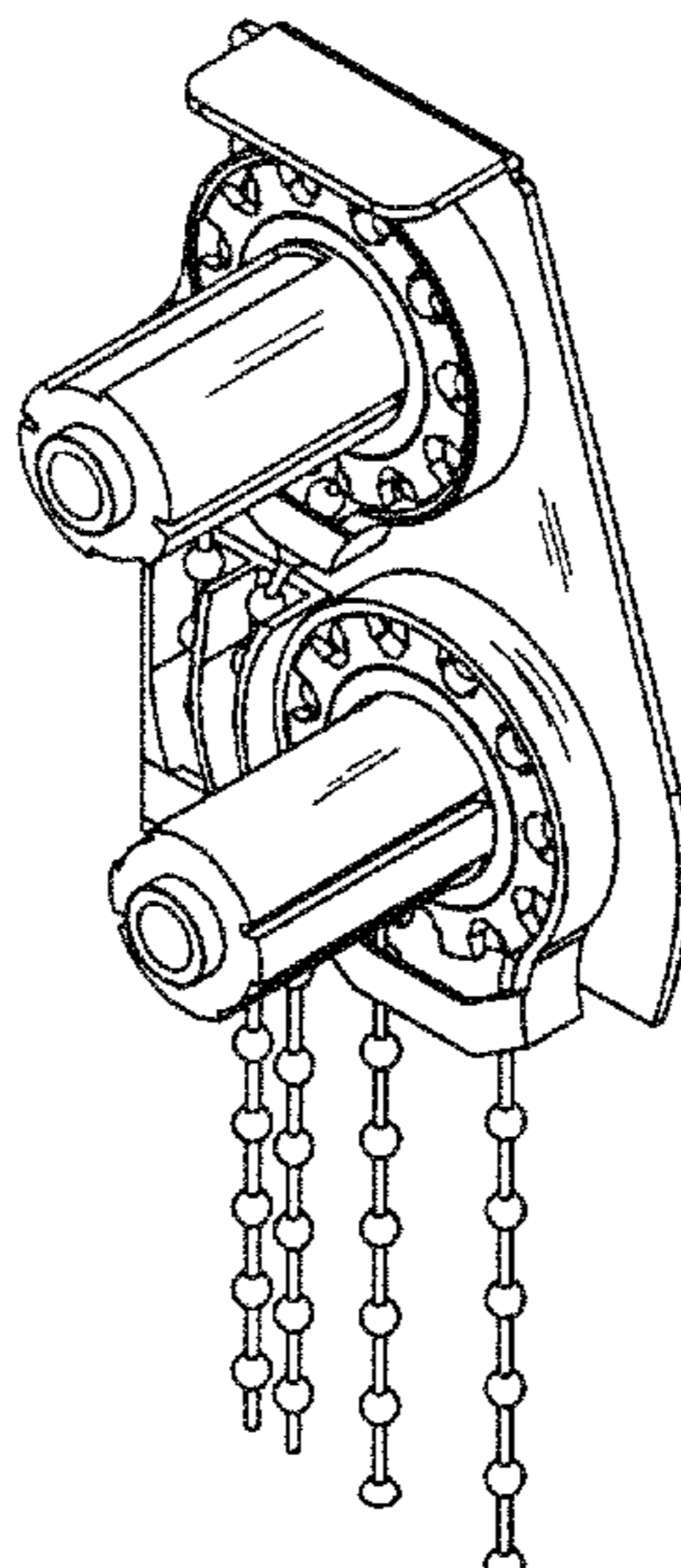
(57) **CLAIM**

The ornamental design for an end bracket for a dual cassette roller shade, as shown and described.

DESCRIPTION

FIG. 1 is an upper left side perspective view of the end bracket for a dual cassette roller shade;
FIG. 2 is a left side view of the end bracket for a dual cassette roller shade;
FIG. 3 is a right side view of the end bracket for a dual cassette roller shade; the broken lines in the drawing depict environmental subject matter only and form no part of the claimed design;
FIG. 4 is a front view of the end bracket for a dual cassette roller shade;
FIG. 5 is a rear view of the end bracket for a dual cassette roller shade;
FIG. 6 is a top view of the end bracket for a dual cassette roller shade; and,
FIG. 7 is a bottom view of the end bracket for a dual cassette roller shade.

1 Claim, 7 Drawing Sheets



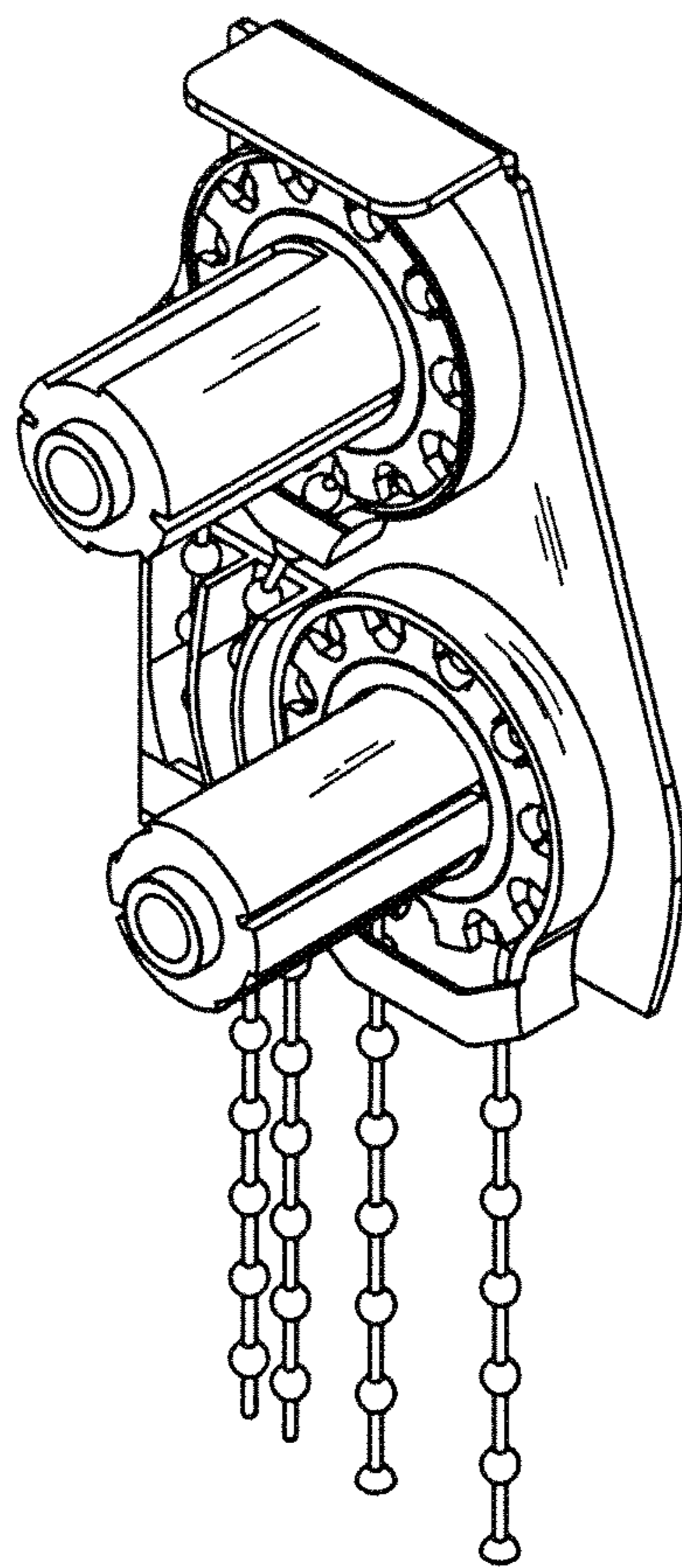


FIG. 1

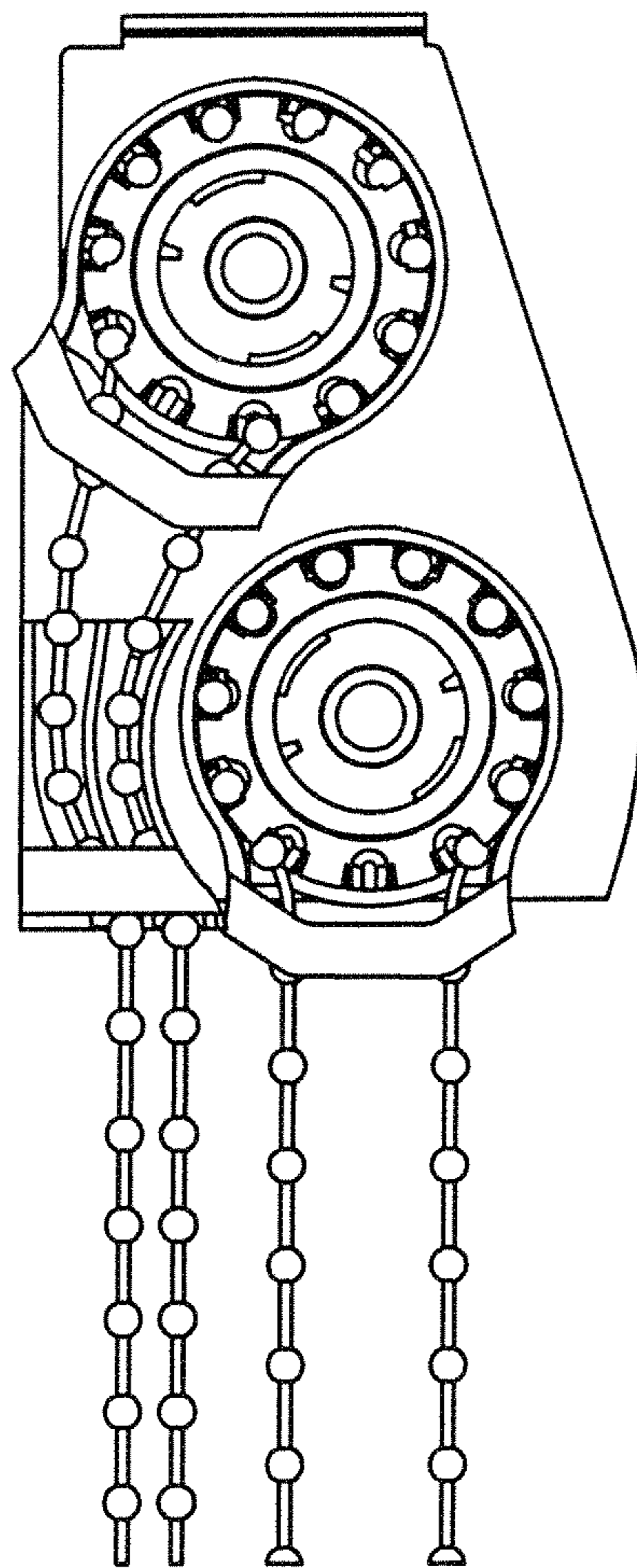


FIG. 2

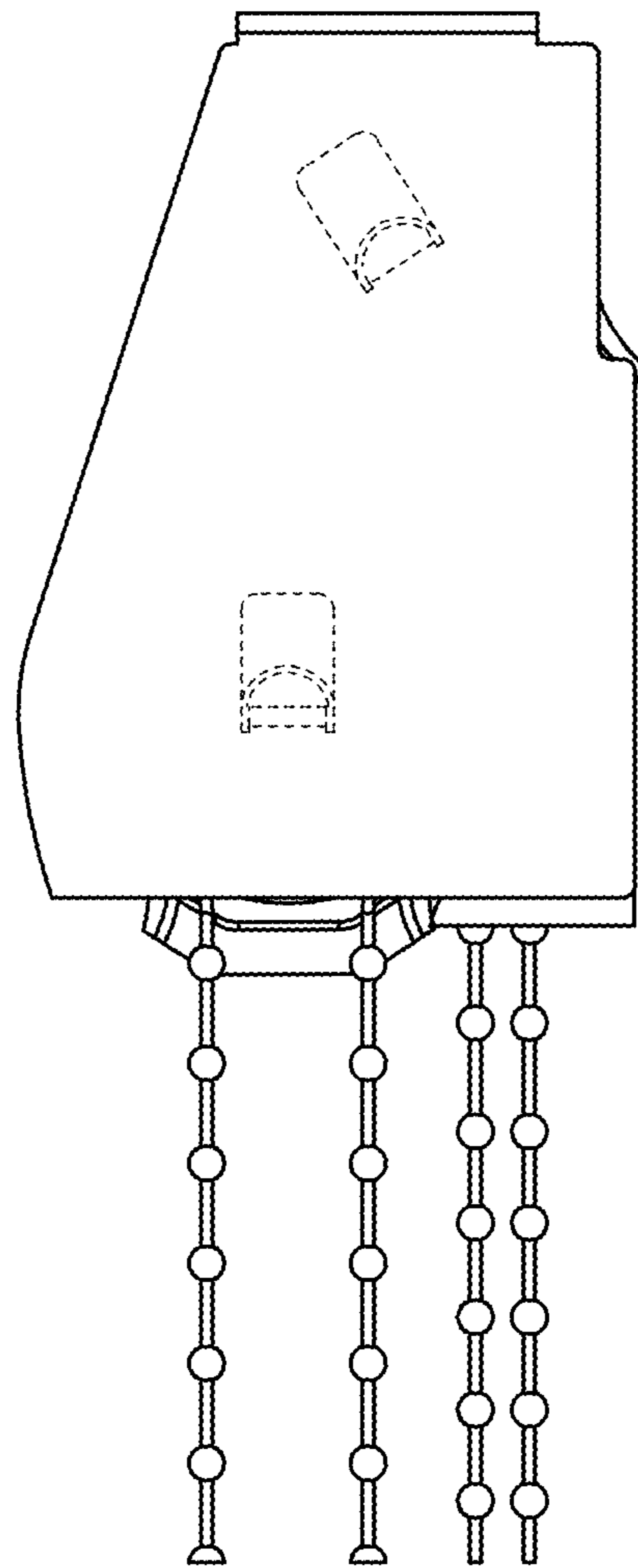


FIG. 3

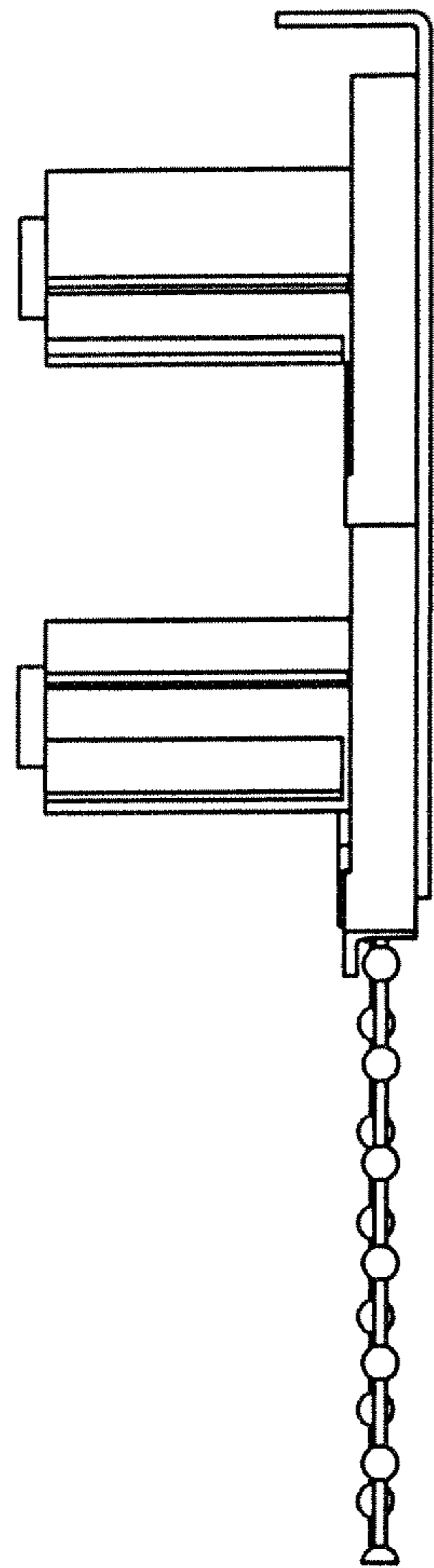


FIG. 4

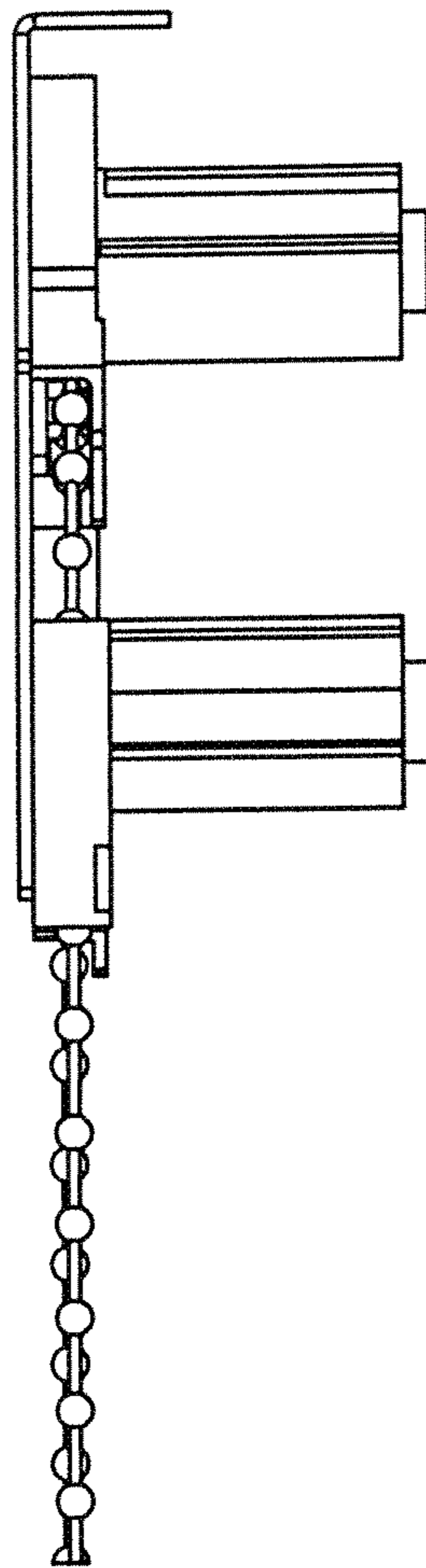


FIG. 5

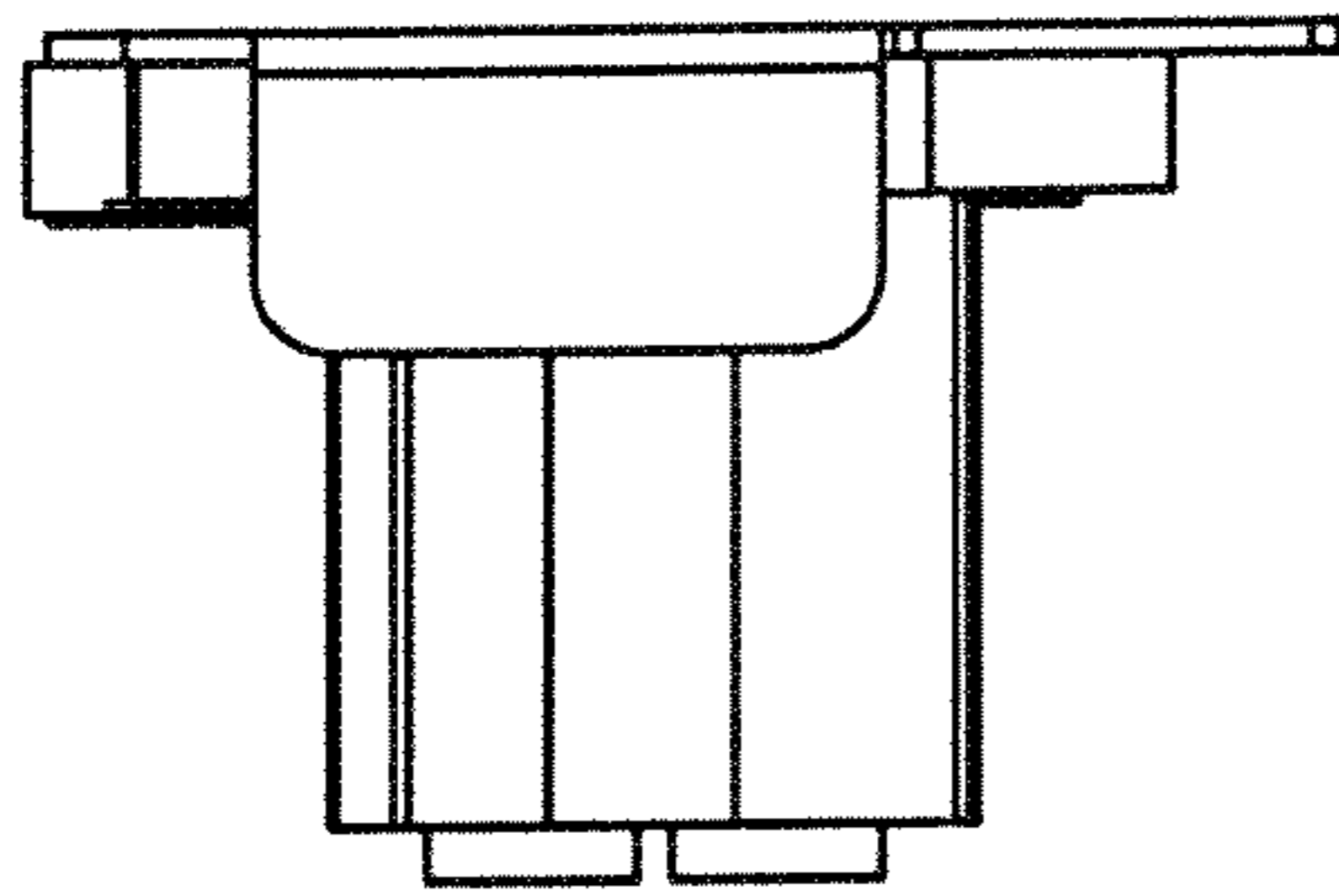


FIG. 6

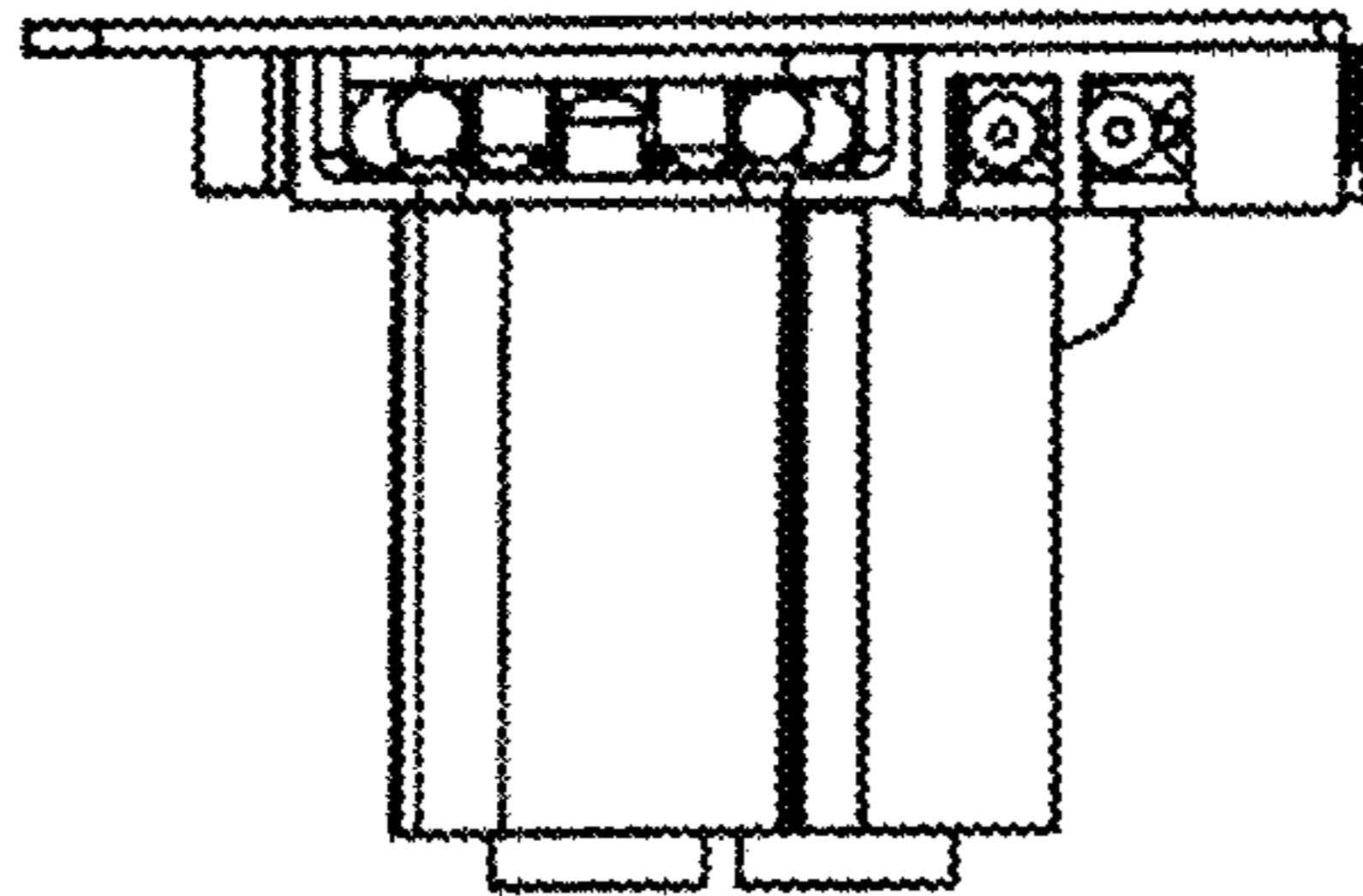


FIG. 7