



US00D775938S

(12) **United States Design Patent** (10) **Patent No.:** **US D775,938 S**
Fleck (45) **Date of Patent:** **** *Jan. 10, 2017**

- (54) **HOOK**
- (71) Applicant: **John Fleck**, Cave Creek, AZ (US)
- (72) Inventor: **John Fleck**, Cave Creek, AZ (US)
- (*) Notice: This patent is subject to a terminal disclaimer.
- (**) Term: **14 Years**
- (21) Appl. No.: **29/442,925**
- (22) Filed: **Jun. 13, 2013**
- (51) **LOC (10) Cl.** **08-05**
- (52) **U.S. Cl.**
USPC **D8/367**
- (58) **Field of Classification Search**
USPC D8/367, 354, 349, 373, 372; D6/323;
248/301-304, 339
See application file for complete search history.

- D595,120 S * 6/2009 Plowman D8/356
- D608,623 S * 1/2010 Snell D8/367
- D641,229 S * 7/2011 Qiblawi et al. D8/367
- D642,450 S * 8/2011 Freese D8/367
- D695,526 S * 12/2013 Easlick D3/328
- 2002/0129619 A1* 9/2002 Wolff 63/7
- 2008/0014043 A1 1/2008 Zasloff

* cited by examiner

Primary Examiner — Cynthia Underwood
(74) *Attorney, Agent, or Firm* — Thomas W. Galvani,
P.C.; Thomas W. Galvani

(57) **CLAIM**

The ornamental design for a hook, as shown and described.

DESCRIPTION

FIG. 1 is a first perspective view of the hook;
 FIG. 2 is a second perspective view of the hook;
 FIG. 3 is a side view of the hook;
 FIG. 4 is a second side view of the hook;
 FIG. 5 is a top view of the hook;
 FIG. 6 is a bottom view of the hook; and
 FIG. 7 is an end view of the hook;
 FIG. 8 is a first perspective view an alternate embodiment of the hook;
 FIG. 9 is a second perspective view an alternate embodiment of the hook;
 FIG. 10 is a side view an alternate embodiment of the hook;
 FIG. 11 is a second side view an alternate embodiment of the hook;
 FIG. 12 is a top view an alternate embodiment of the hook;
 FIG. 13 is a bottom view an alternate embodiment of the hook; and,
 FIG. 14 is an end view an alternate embodiment of the hook.
 The broken lines represent environment that forms no part of the claim.

(56) **References Cited**

U.S. PATENT DOCUMENTS

- 2,498,623 A 2/1950 Poupitch
- 2,790,616 A 4/1957 Cardinal, Jr.
- 3,154,281 A 10/1964 Frank
- 3,227,412 A 1/1966 Tertinde
- 3,452,954 A 7/1969 Lucietto et al.
- 5,195,216 A * 3/1993 Ishii 24/18
- 5,339,498 A * 8/1994 Parsons 24/129 R
- 5,397,088 A * 3/1995 White 248/309.1
- 5,407,160 A 4/1995 Hollingsworth et al.
- 5,607,132 A 3/1997 Baldwin
- 5,673,887 A 10/1997 Hollingsworth et al.
- 5,855,347 A 1/1999 Hollingsworth et al.
- 5,881,982 A 3/1999 Hollingsworth et al.
- 6,186,455 B1 2/2001 Hollingsworth et al.
- D447,934 S * 9/2001 Manor, III D8/367
- D575,141 S * 8/2008 Goodman et al. D8/367

1 Claim, 8 Drawing Sheets

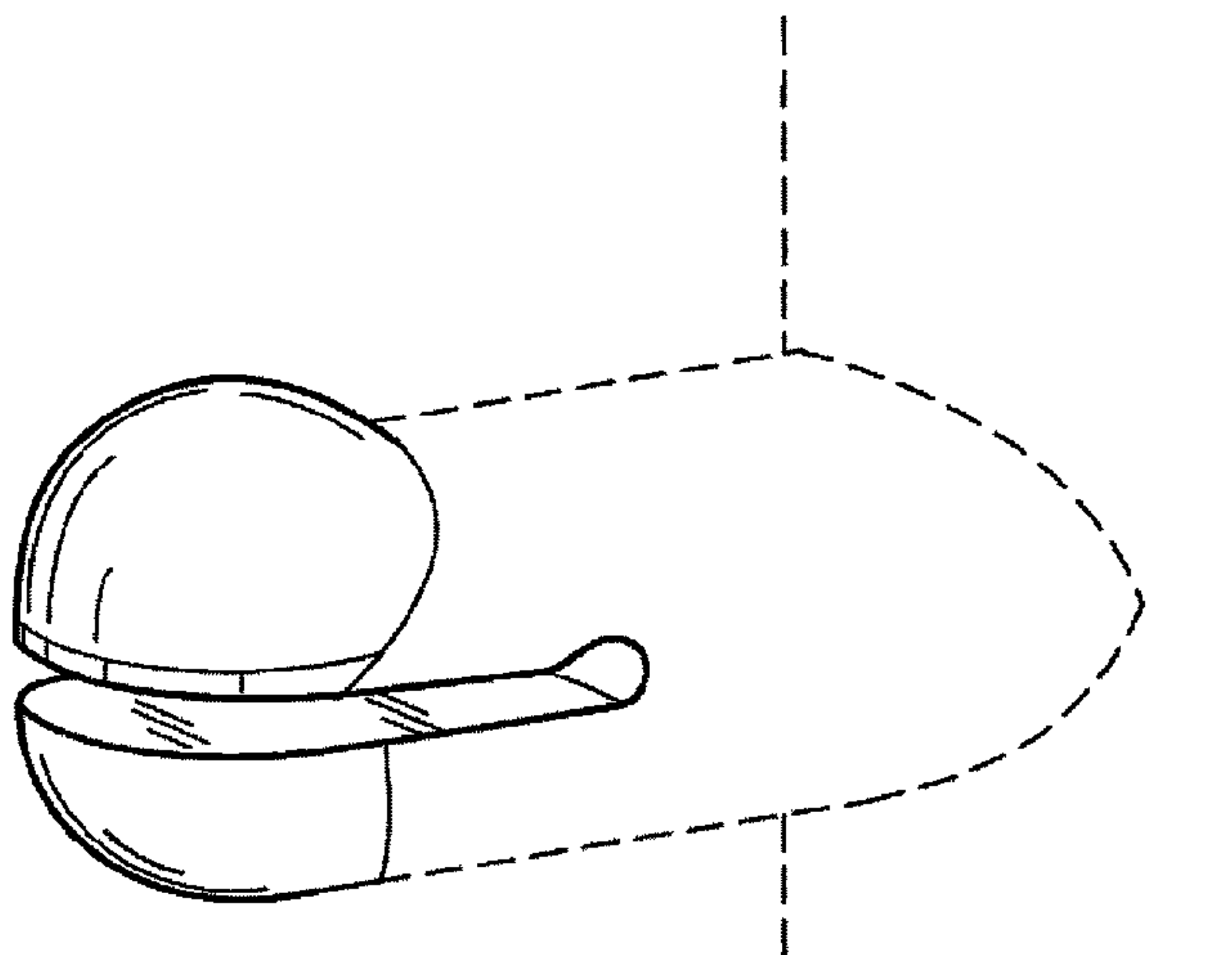


Fig. 1

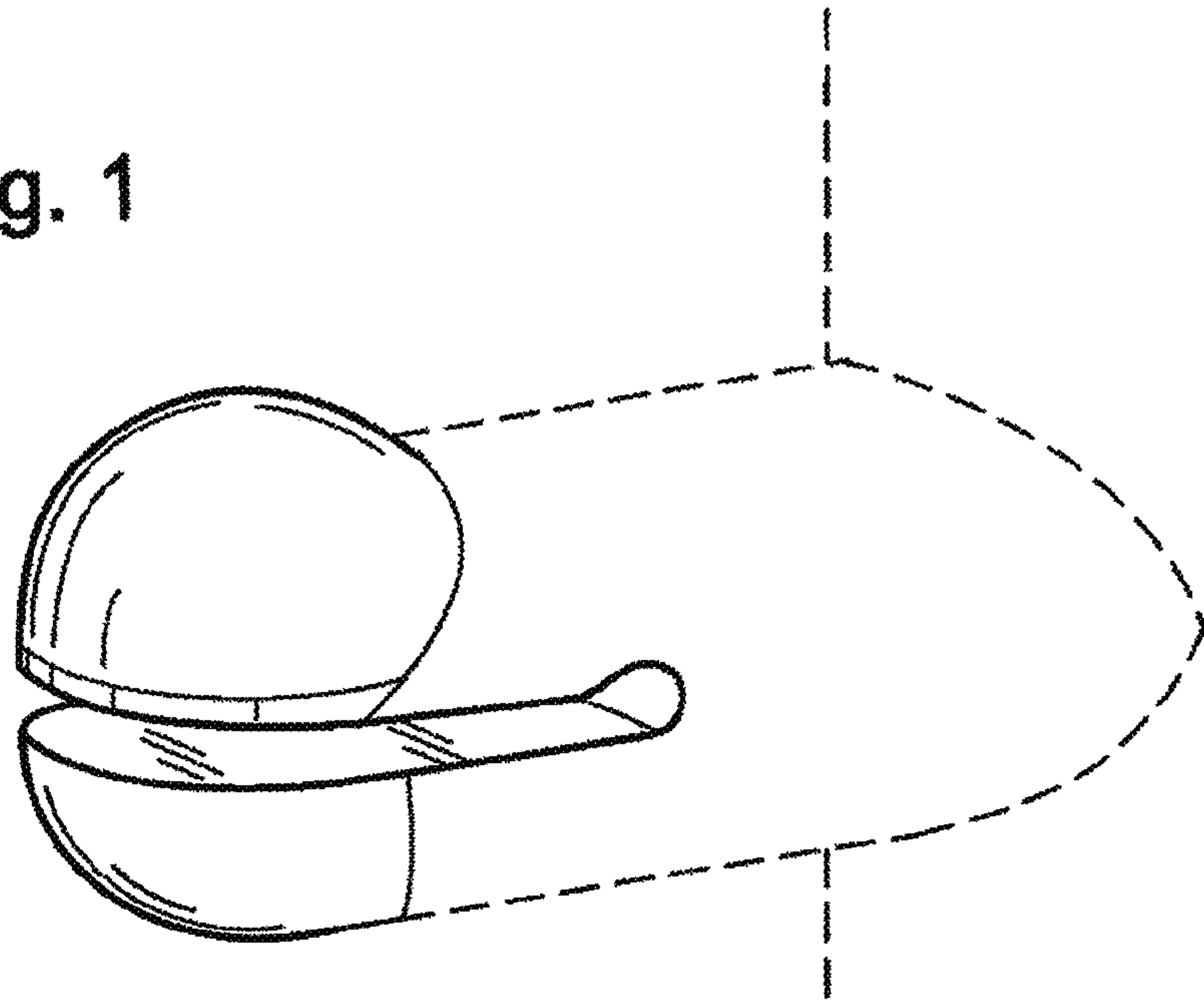


Fig. 2

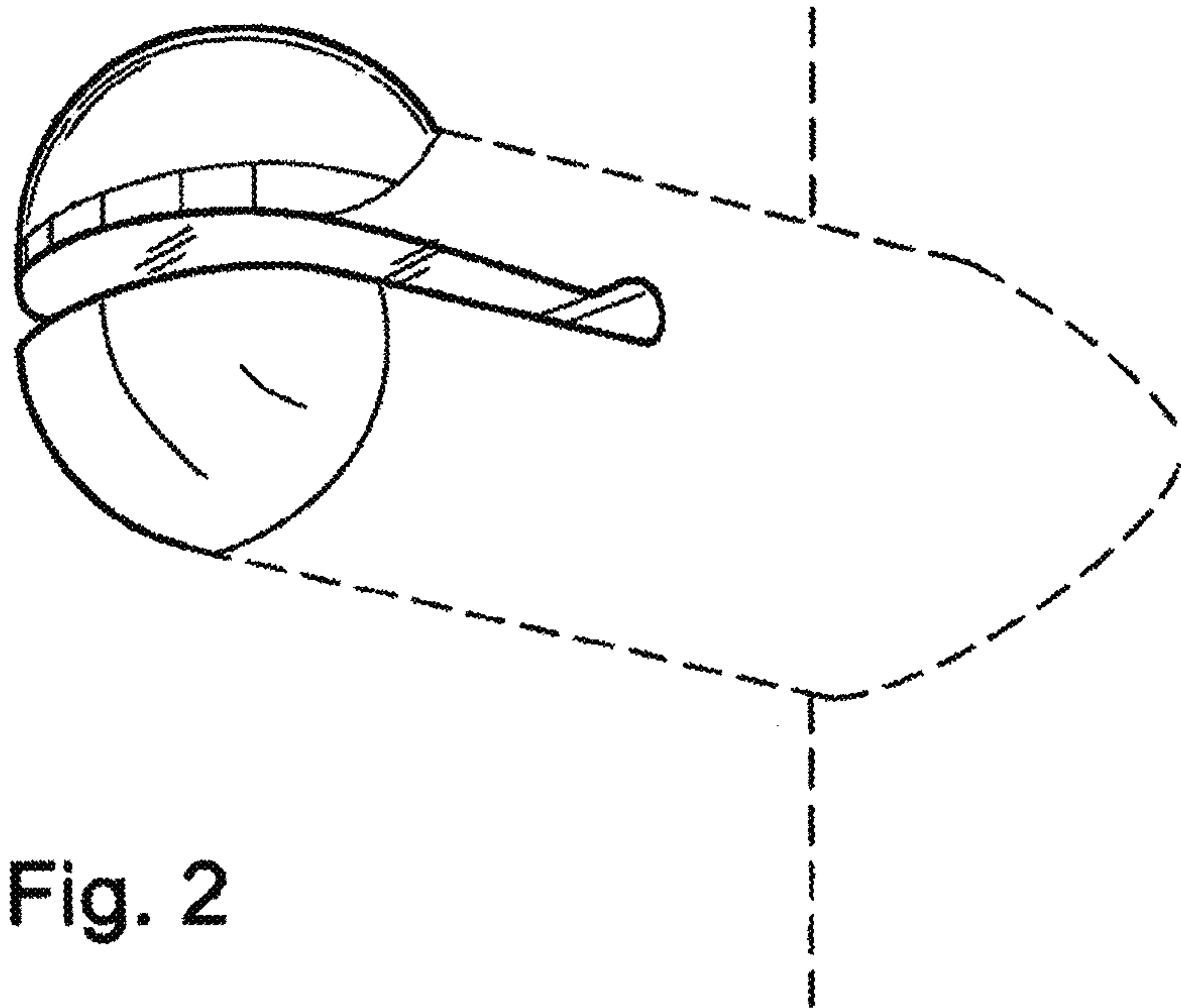


Fig. 3

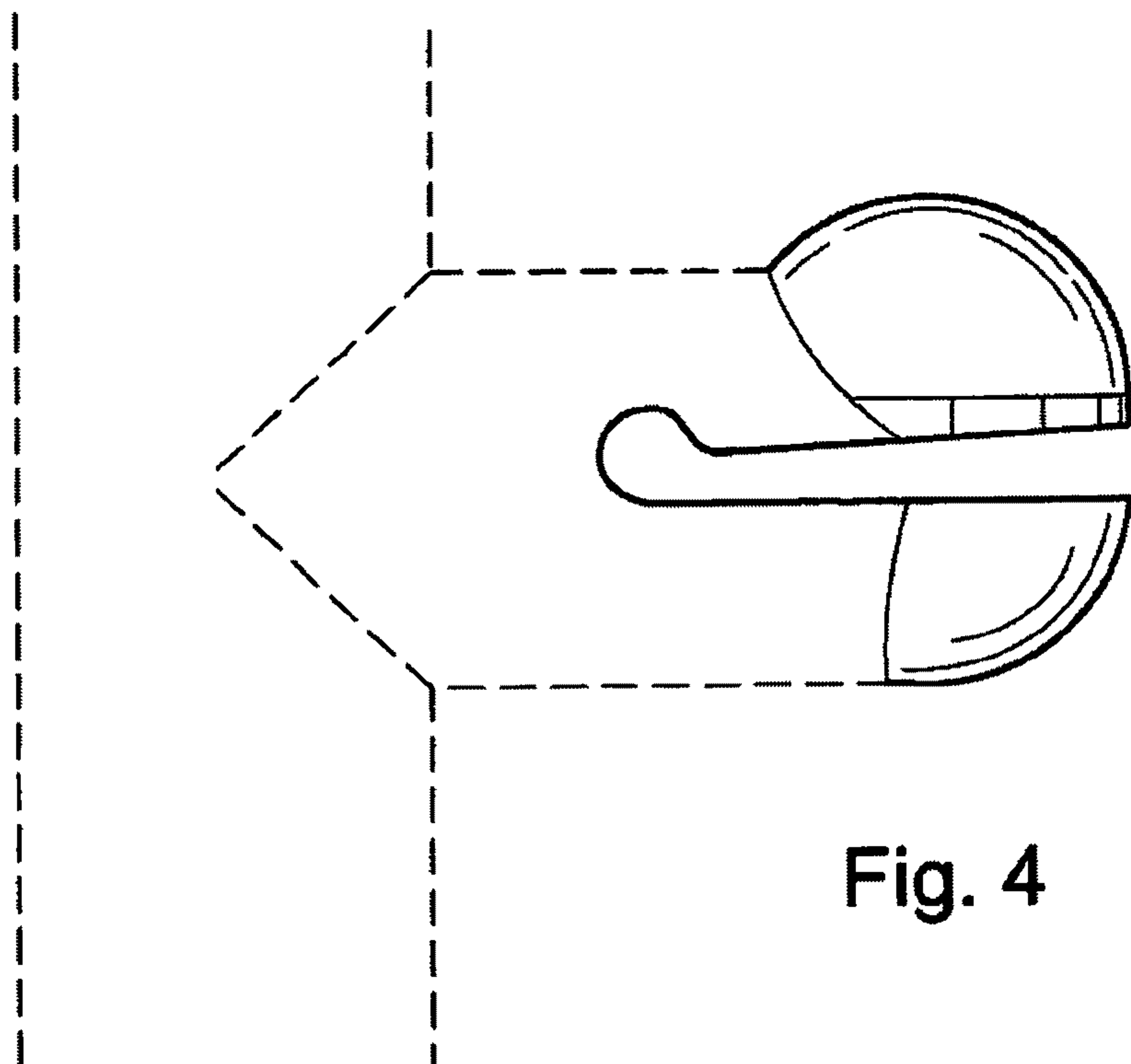
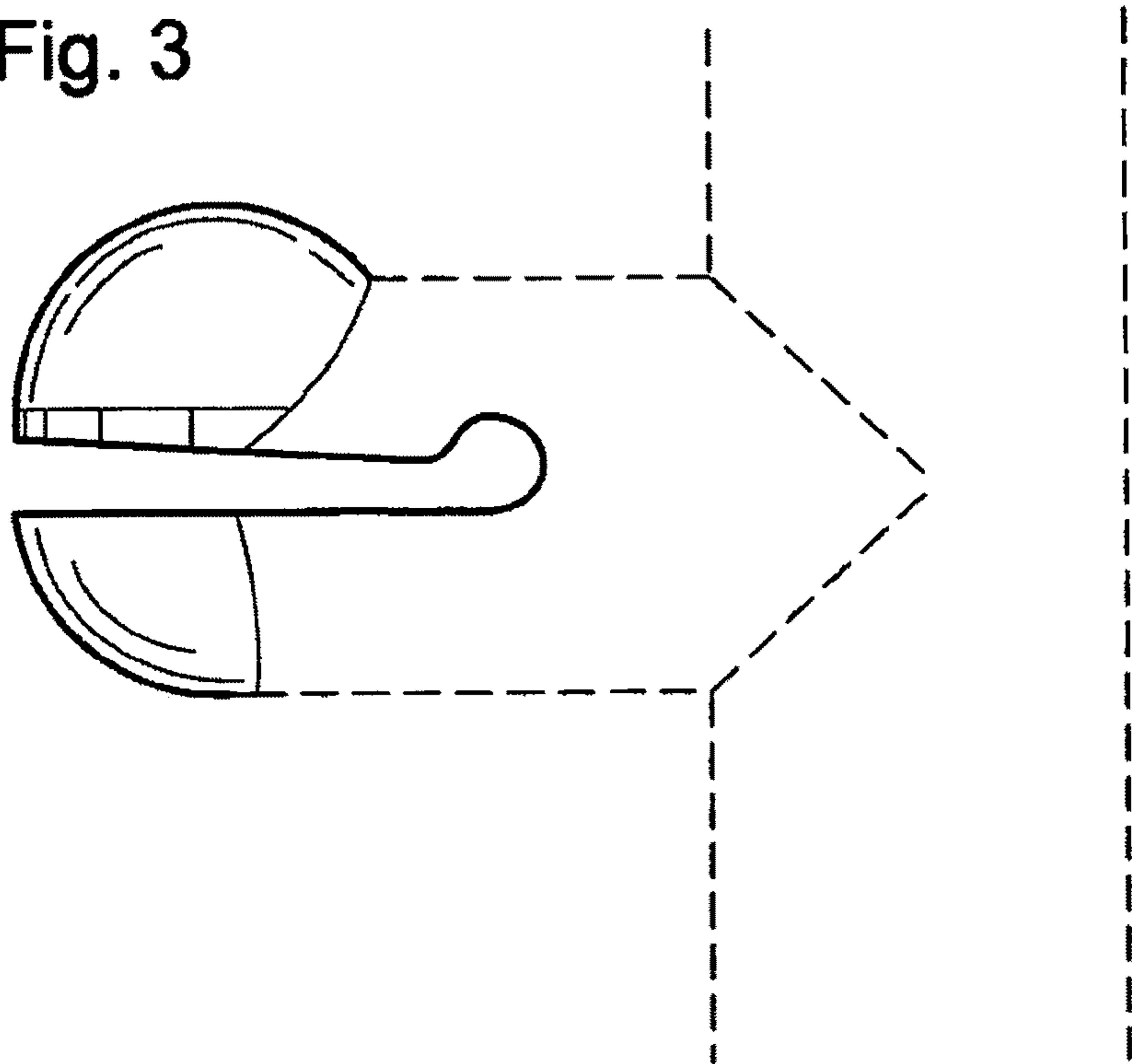


Fig. 4



Fig. 5



Fig. 6

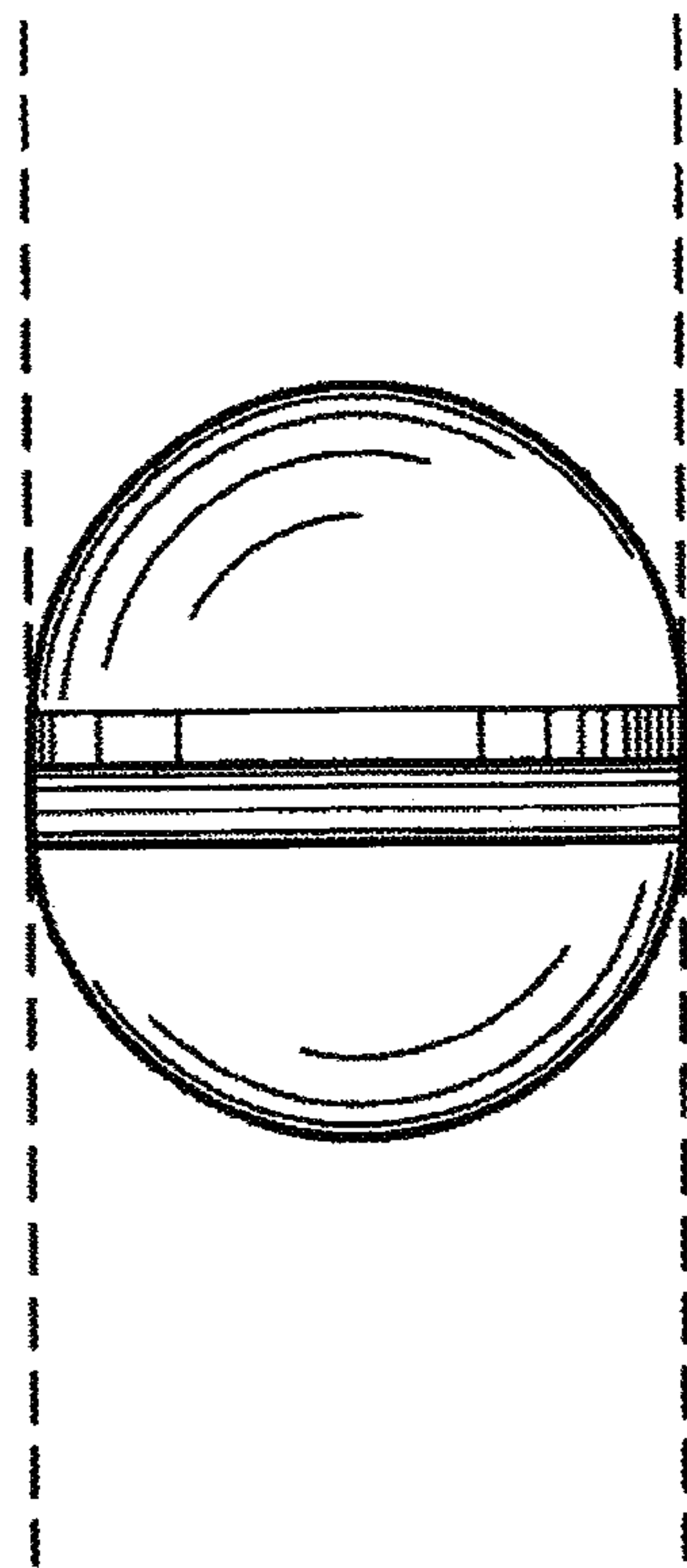


Fig. 7

Fig. 8

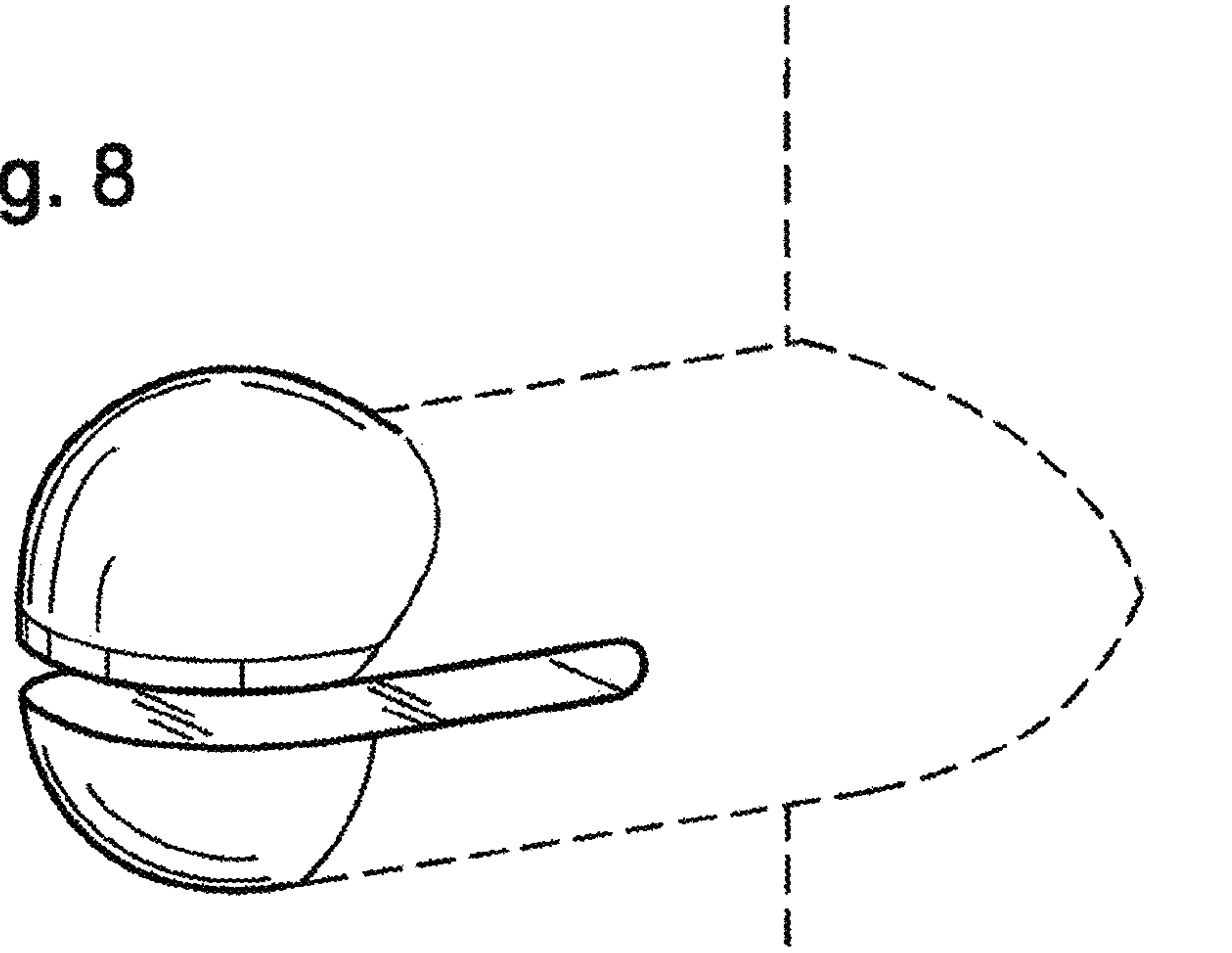


Fig. 9

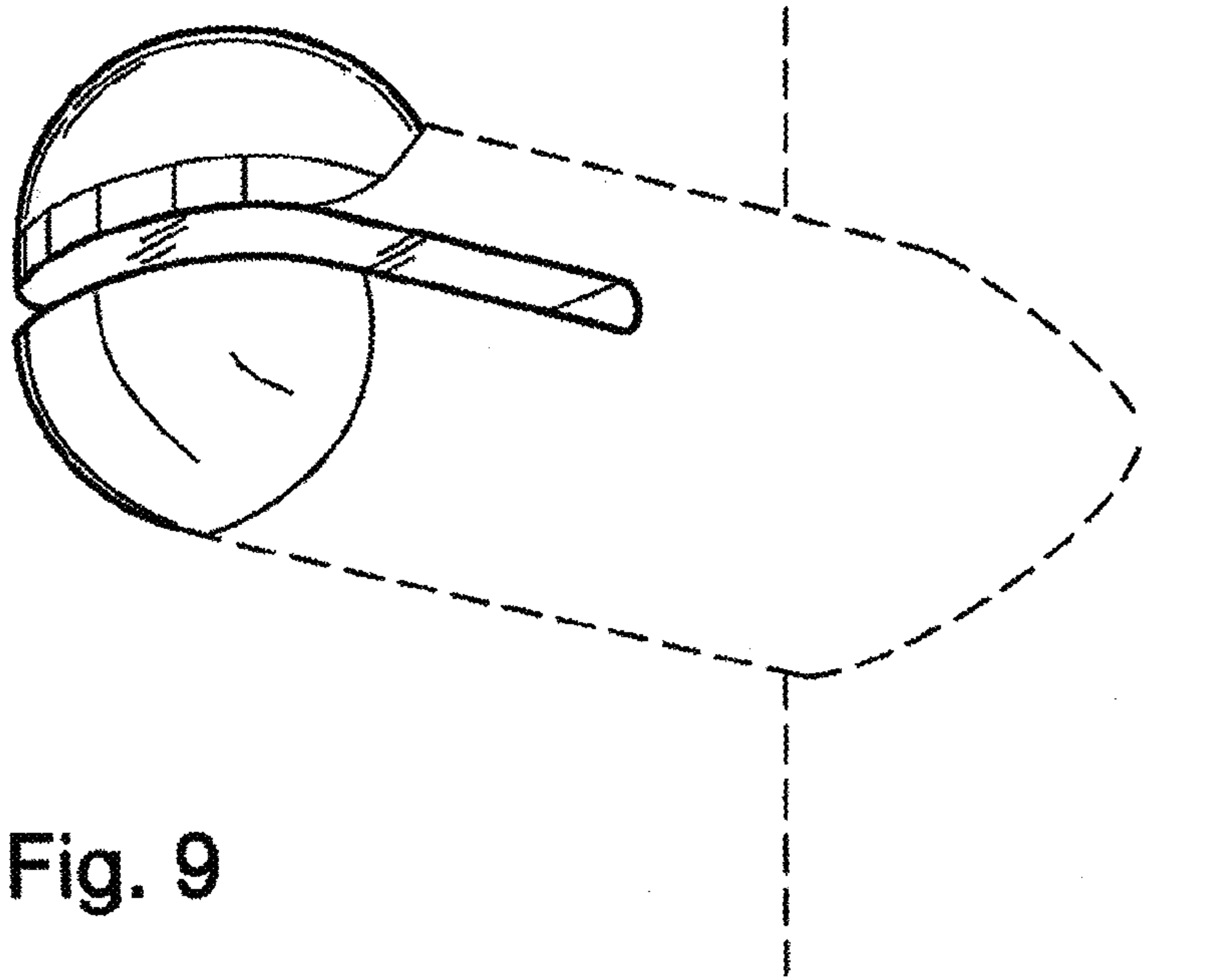


Fig. 10

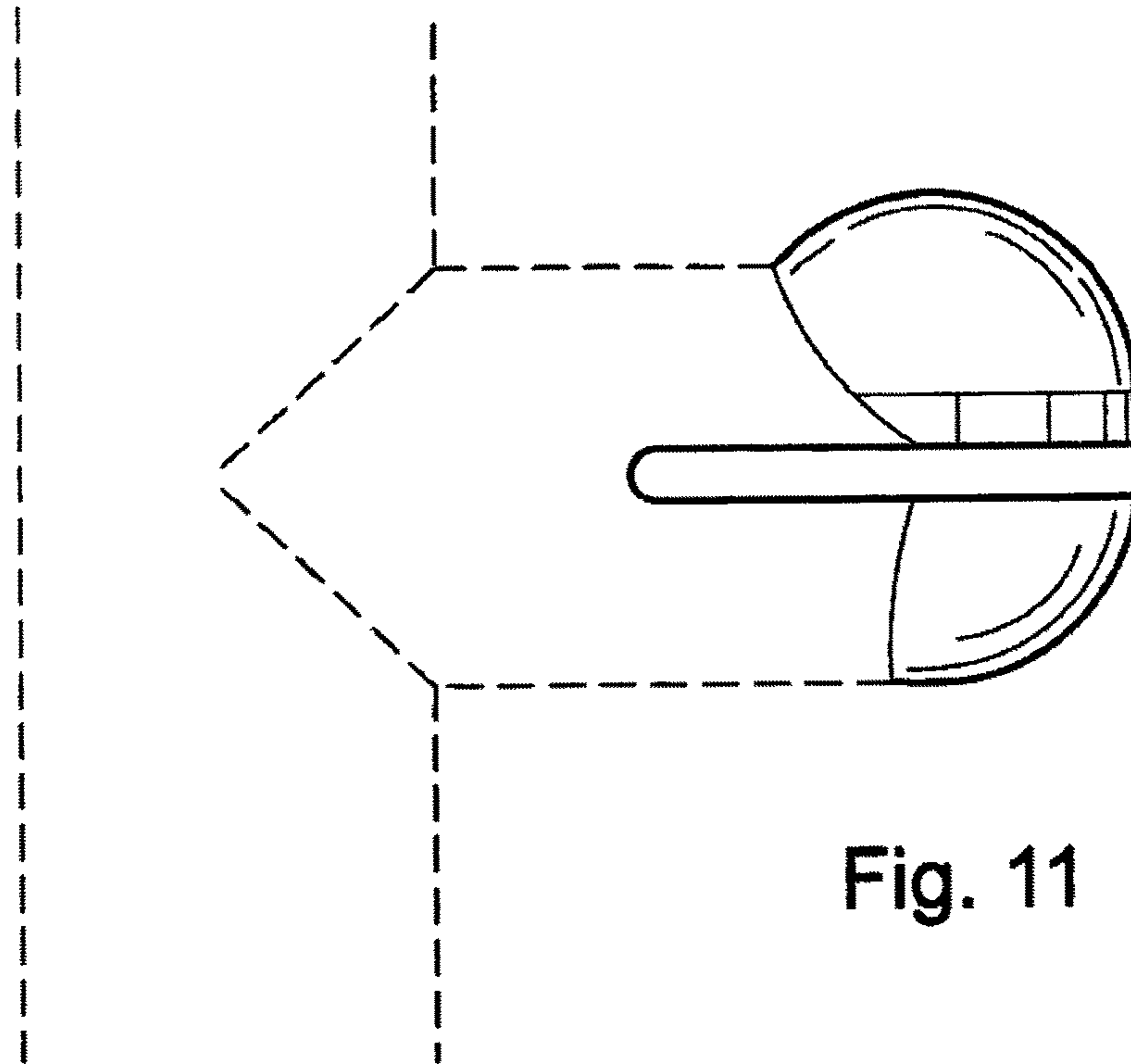
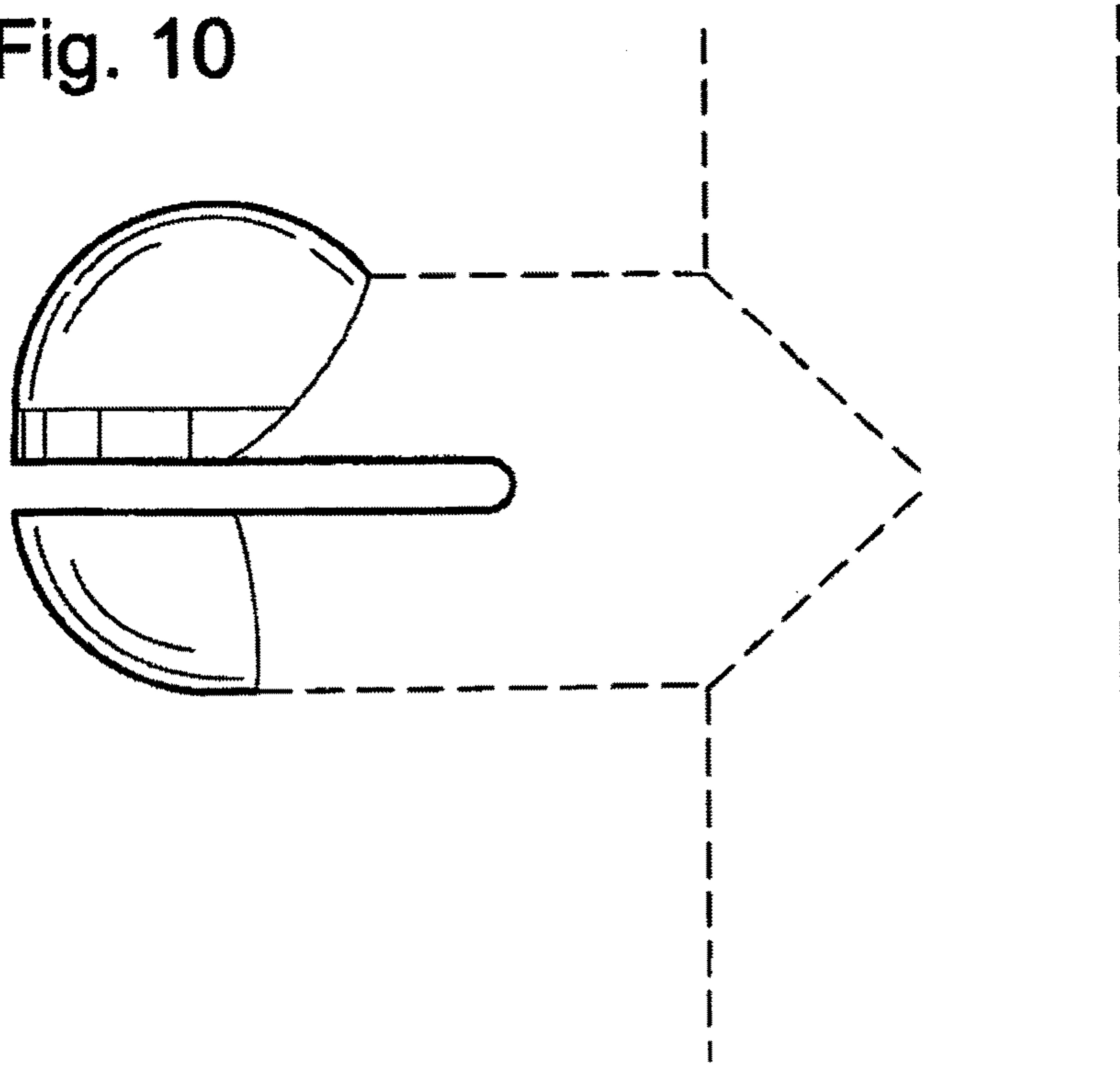


Fig. 11

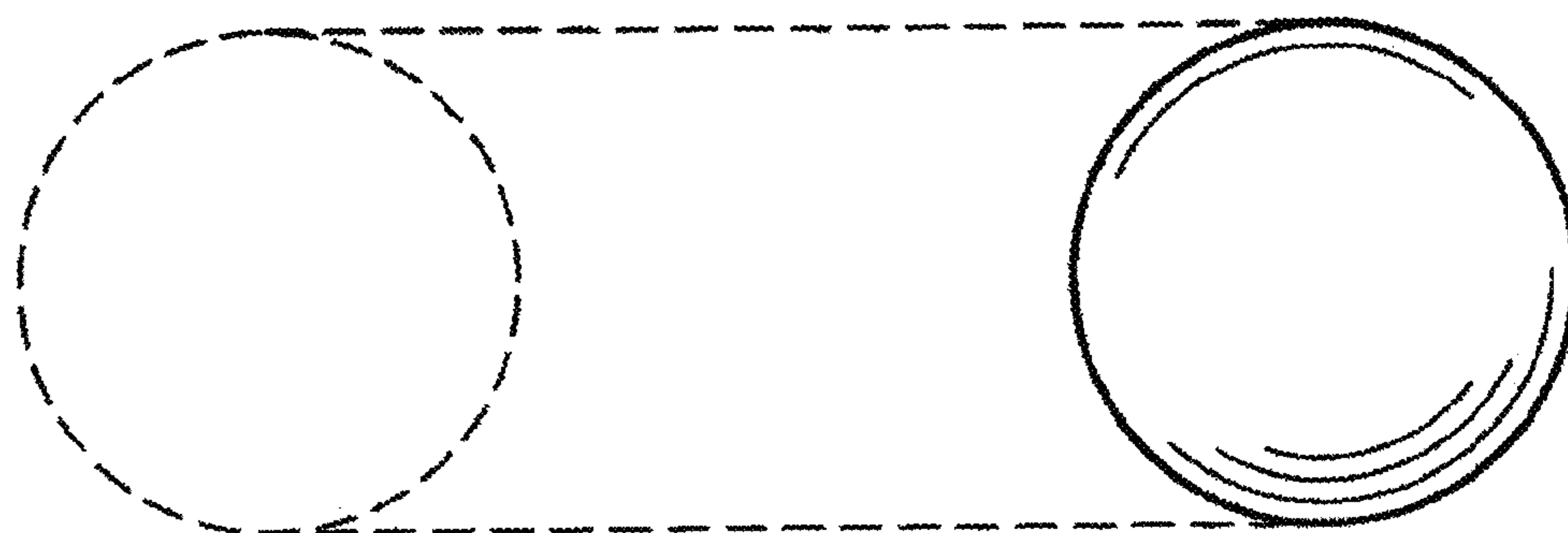


Fig. 12

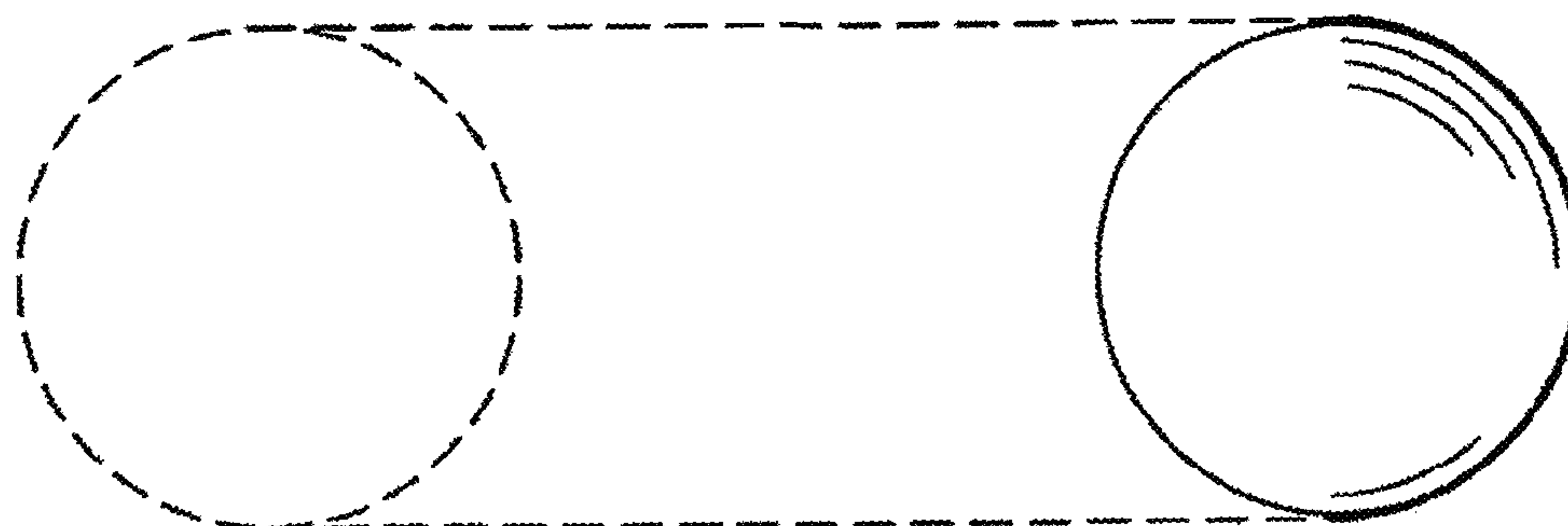


Fig. 13

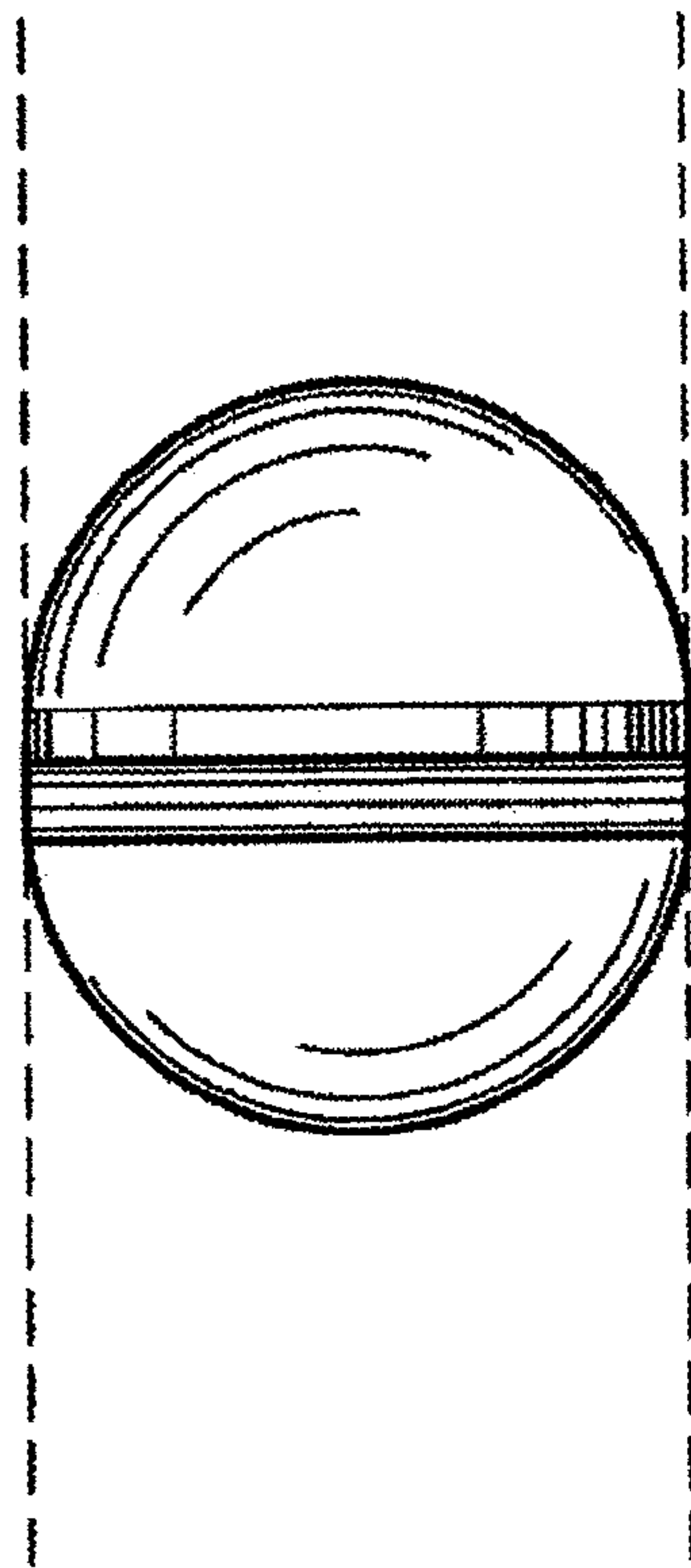


Fig. 14