



US00D775937S

(12) **United States Design Patent** (10) **Patent No.:** **US D775,937 S**
Davis (45) **Date of Patent:** **** Jan. 10, 2017**

(54) **DEVICE FOR SECURING A CABLE**
(71) Applicant: **Michael Davis**, Warialda (AU)
(72) Inventor: **Michael Davis**, Warialda (AU)
(**) Term: **15 Years**
(21) Appl. No.: **29/562,705**
(22) Filed: **Apr. 28, 2016**

D577,990 S * 10/2008 Andre D14/205
7,484,539 B1 * 2/2009 Huang D03D 3/02
139/384 R
7,690,868 B2 4/2010 Wallstein et al.
D629,803 S * 12/2010 St. Ives D14/396
D648,685 S * 11/2011 Symons D13/155
D679,581 S * 4/2013 Liu D8/395
8,567,016 B2 10/2013 Stankus et al.
8,602,370 B2 * 12/2013 McKenzie A47G 25/0614
248/215
D708,052 S * 7/2014 Symons D8/394
(Continued)

Related U.S. Application Data

(63) Continuation-in-part of application No. PCT/AU2014/050441, filed on Dec. 21, 2014.
(51) **LOC (10) Cl.** **08-05**
(52) **U.S. Cl.**
USPC **D8/356**
(58) **Field of Classification Search**
USPC D8/356, 354, 349
CPC E02D 5/803; B63B 21/045; B63B 59/02;
B60D 1/18; B60P 7/0823; A44B 13/0029
See application file for complete search history.

FOREIGN PATENT DOCUMENTS

GB 2175623 12/1986

OTHER PUBLICATIONS

International Search Report filed in PCT/AU2014/050441 mailed Mar. 5, 2015.

Primary Examiner — Cynthia Underwood
(74) *Attorney, Agent, or Firm* — Rankin, Hill & Clark LLP

(56) **References Cited**

U.S. PATENT DOCUMENTS

577,220 A * 2/1897 Whitehead B25J 1/04
15/144.3
3,056,309 A * 10/1962 Horste B62D 55/211
305/204
3,953,640 A * 4/1976 Takada B60R 21/18
139/387 R
4,048,399 A * 9/1977 Terzaghi H01M 4/765
139/387 R
D372,420 S * 8/1996 Mendez D8/356
5,913,641 A 6/1999 Long
6,392,882 B1 * 5/2002 Chen G06F 1/1626
345/205
6,405,414 B1 * 6/2002 Byrnes B60R 22/023
24/198
D494,450 S * 8/2004 Schultz D8/356
D534,065 S * 12/2006 Andre D14/205

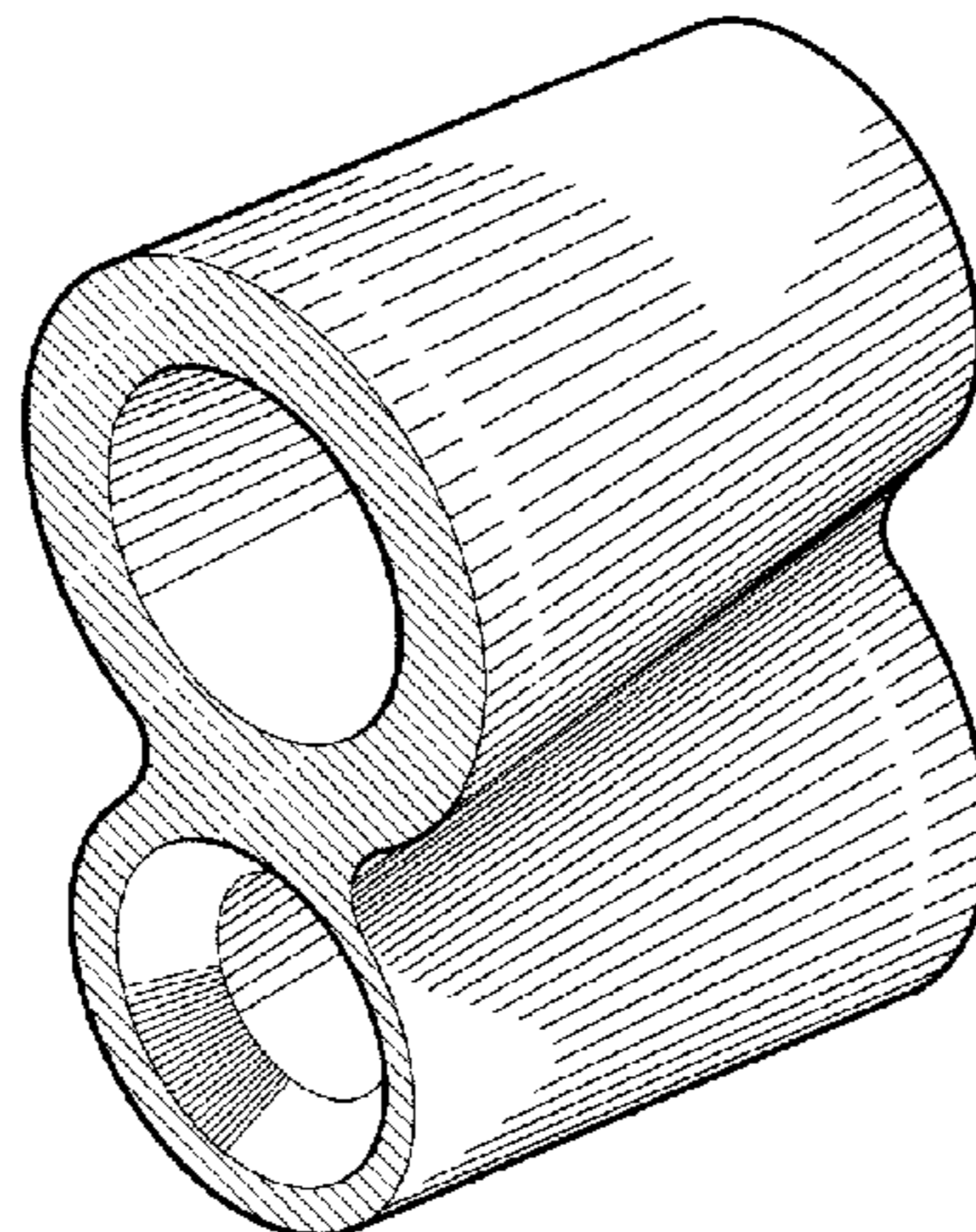
(57) **CLAIM**

The ornamental design for a device for securing a cable, as shown and described.

DESCRIPTION

FIG. 1 is a front perspective view of a device for securing a cable;
FIG. 2 is a rear perspective view thereof;
FIG. 3 is a top view thereof;
FIG. 4 is a side view thereof, the opposite side being a mirror image thereof;
FIG. 5 is a front view thereof;
FIG. 6 is a rear view thereof; and,
FIG. 7 is a bottom view thereof.

1 Claim, 2 Drawing Sheets



(56)

References Cited

U.S. PATENT DOCUMENTS

D745,380 S * 12/2015 Williams D8/394
D747,413 S * 1/2016 Hoyt Drazen D19/203
D752,955 S * 4/2016 Rowan D8/356
D762,588 S * 8/2016 Chin D13/155
D763,671 S * 8/2016 Sizelove D8/394
2005/0230143 A1* 10/2005 Simmons B65H 75/36
174/66
2014/0360771 A1* 12/2014 Itani H05K 9/0098
174/354
2015/0027778 A1* 1/2015 Murao H02G 3/0481
174/72 A

* cited by examiner

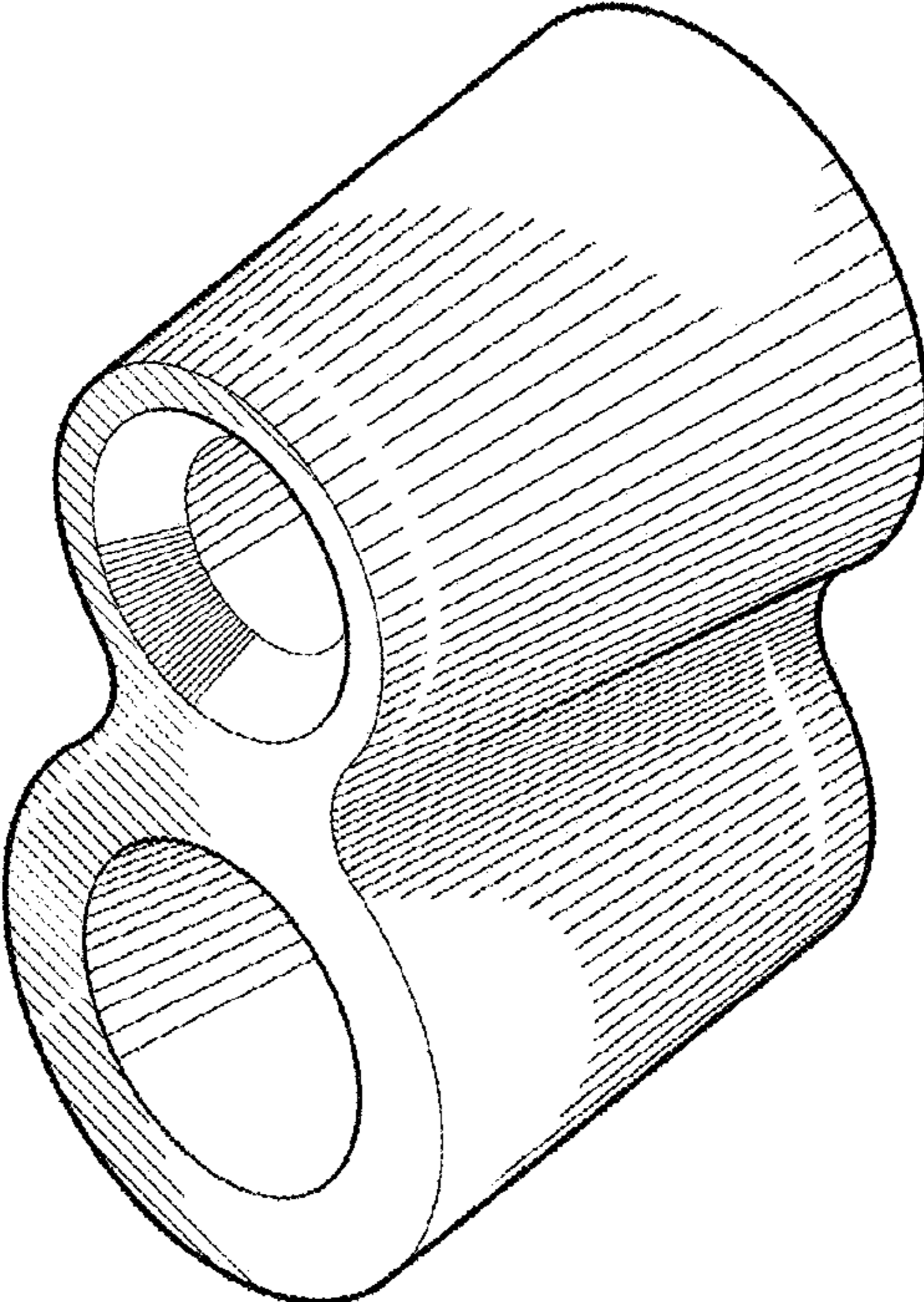


Figure 1

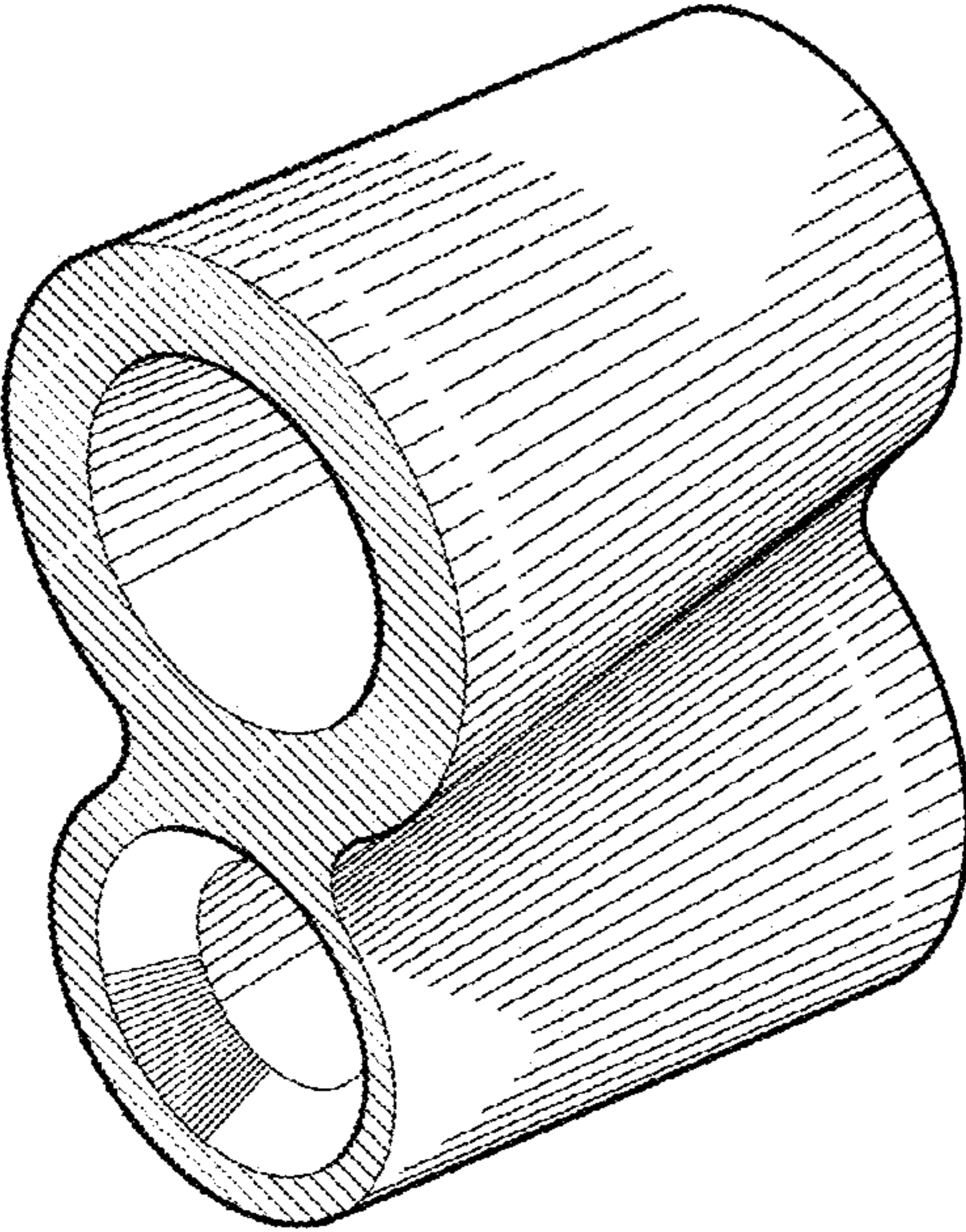


Figure 2

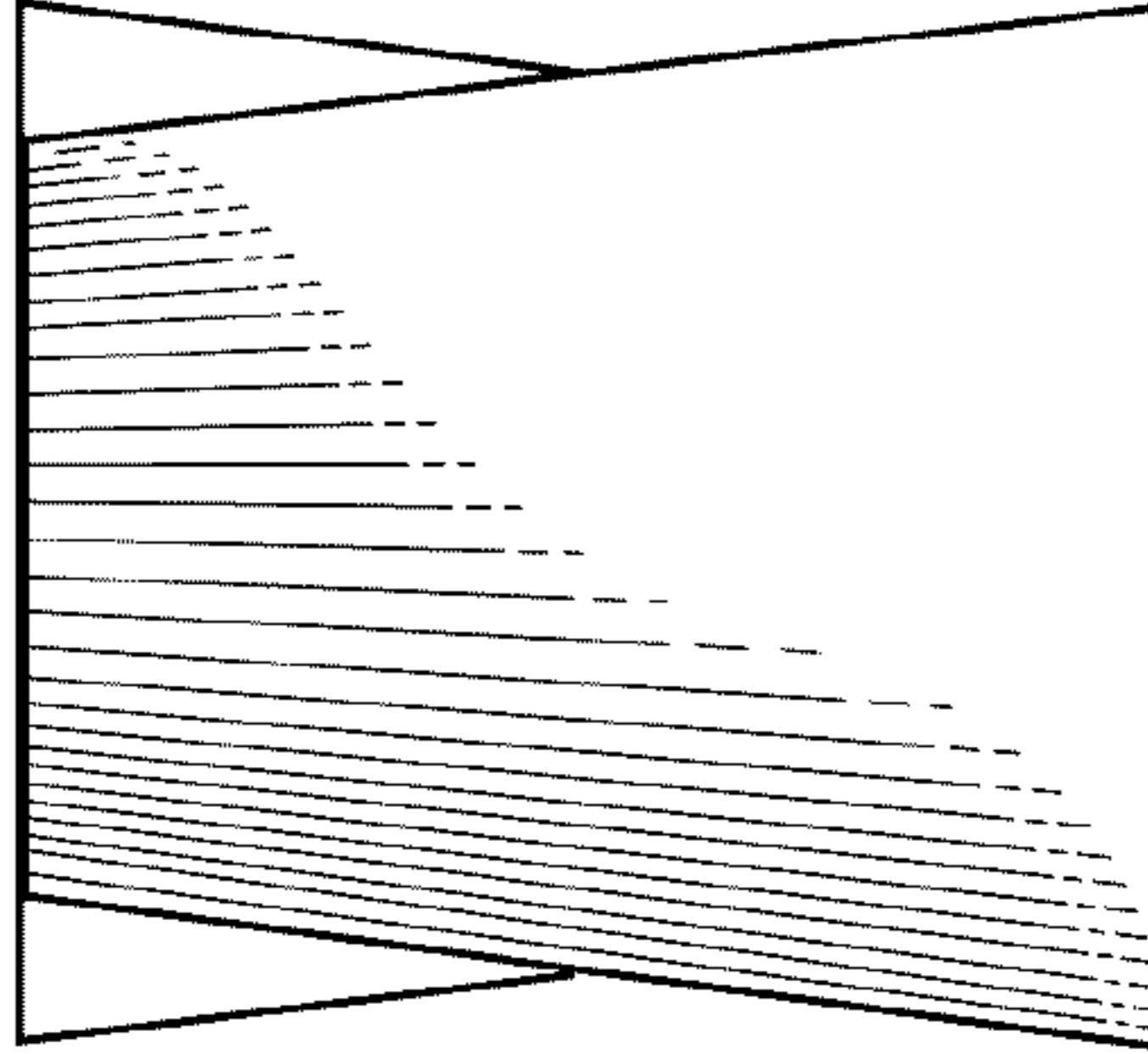


Figure 3

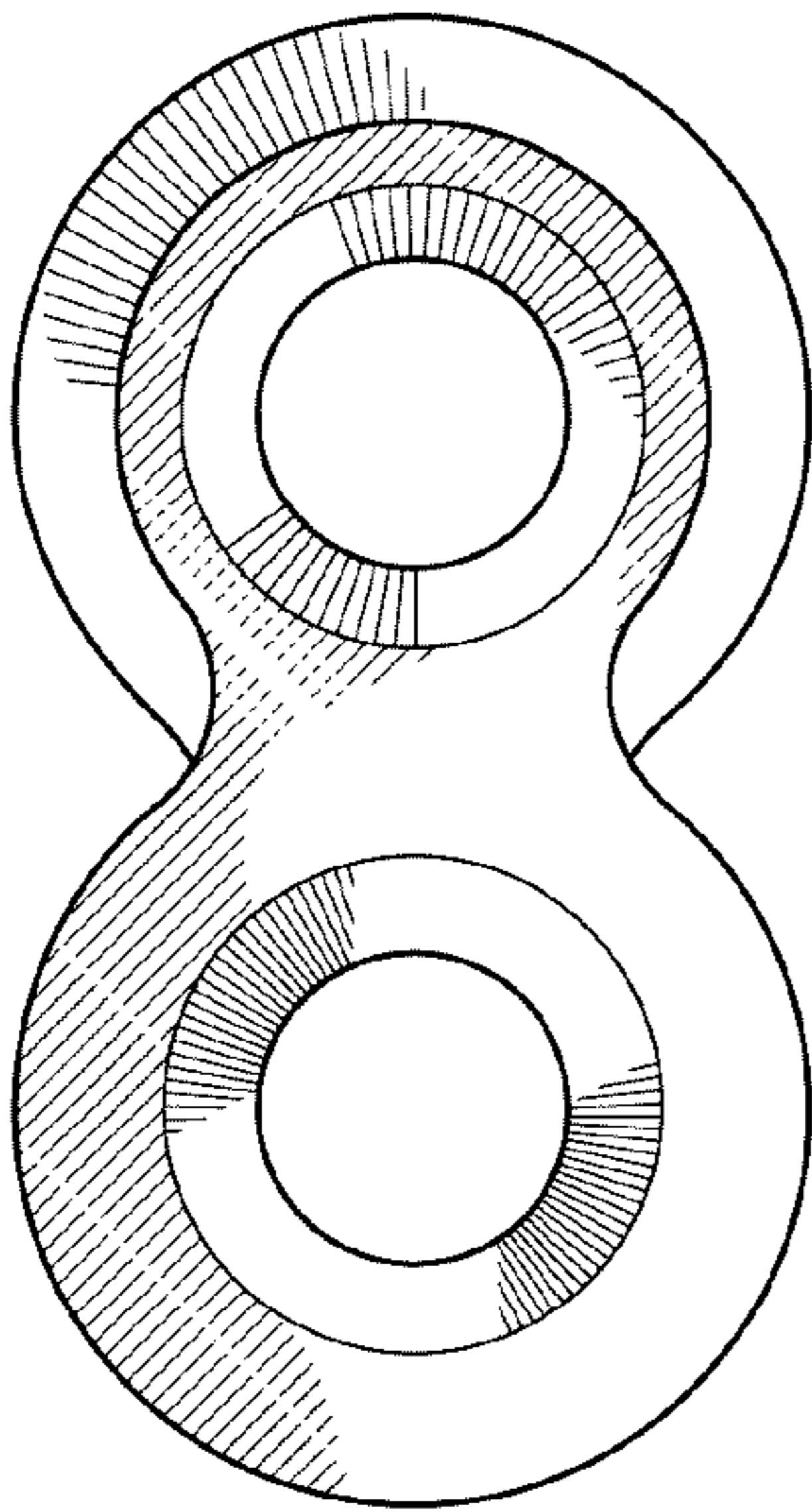


Figure 5

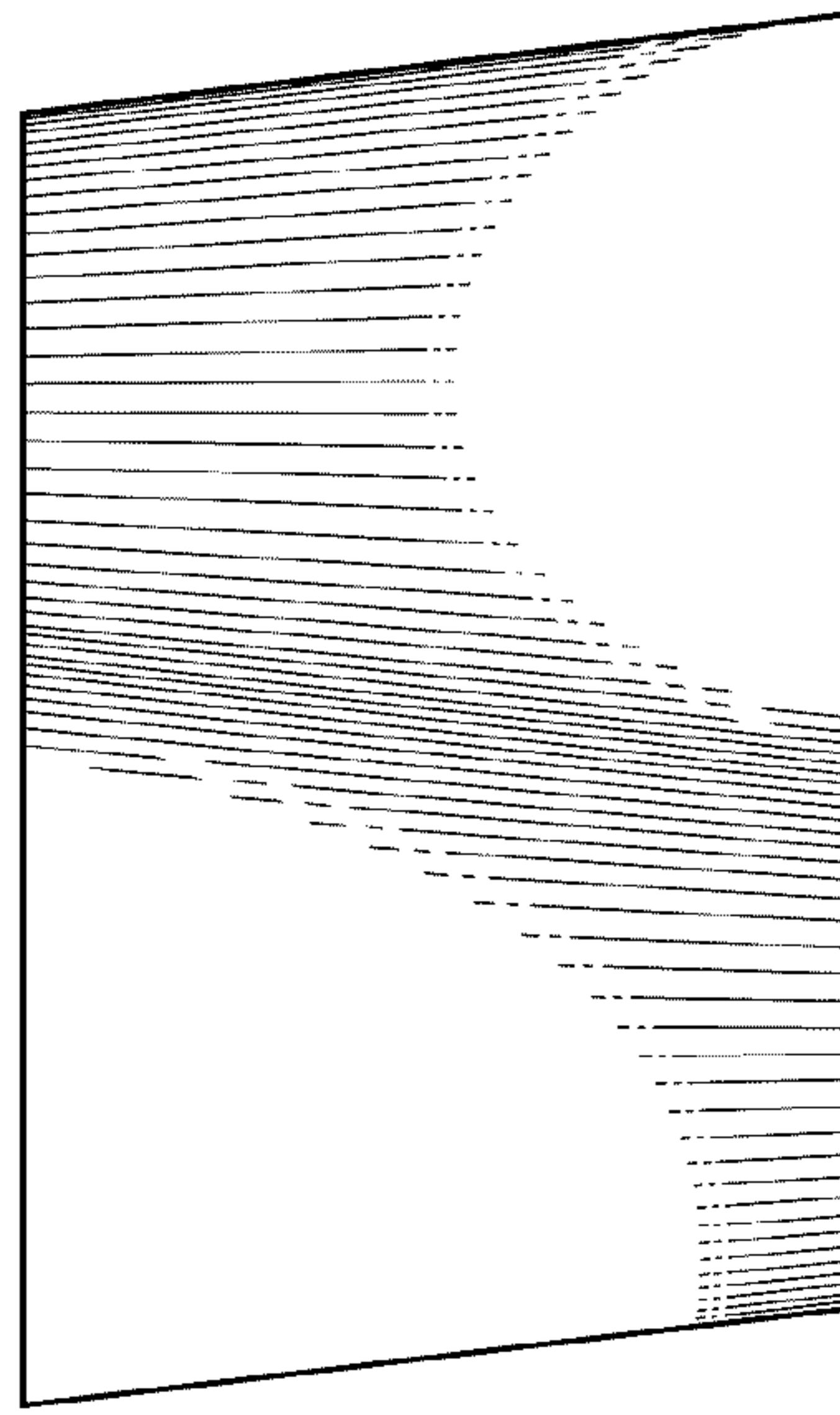


Figure 4

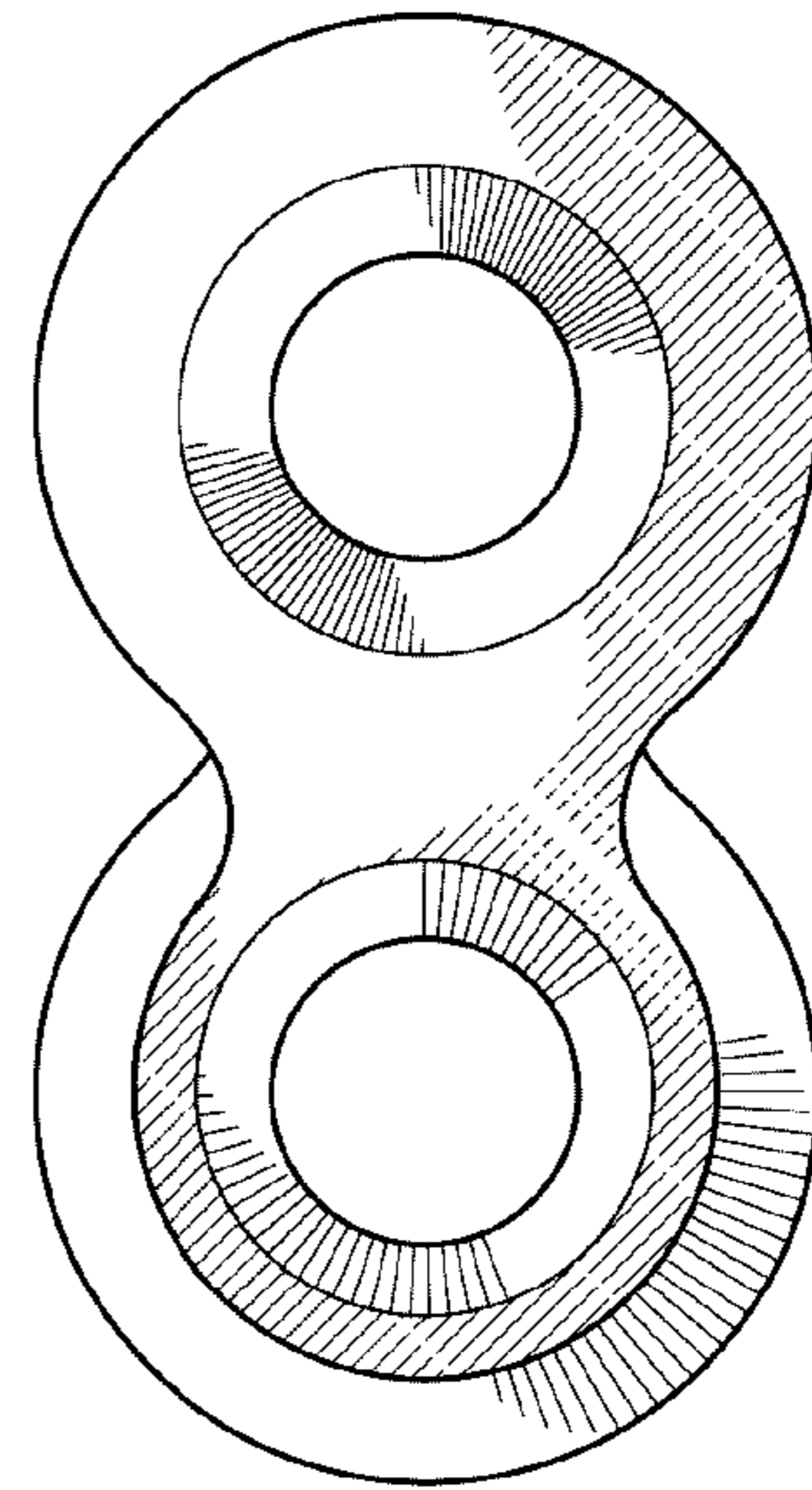


Figure 6

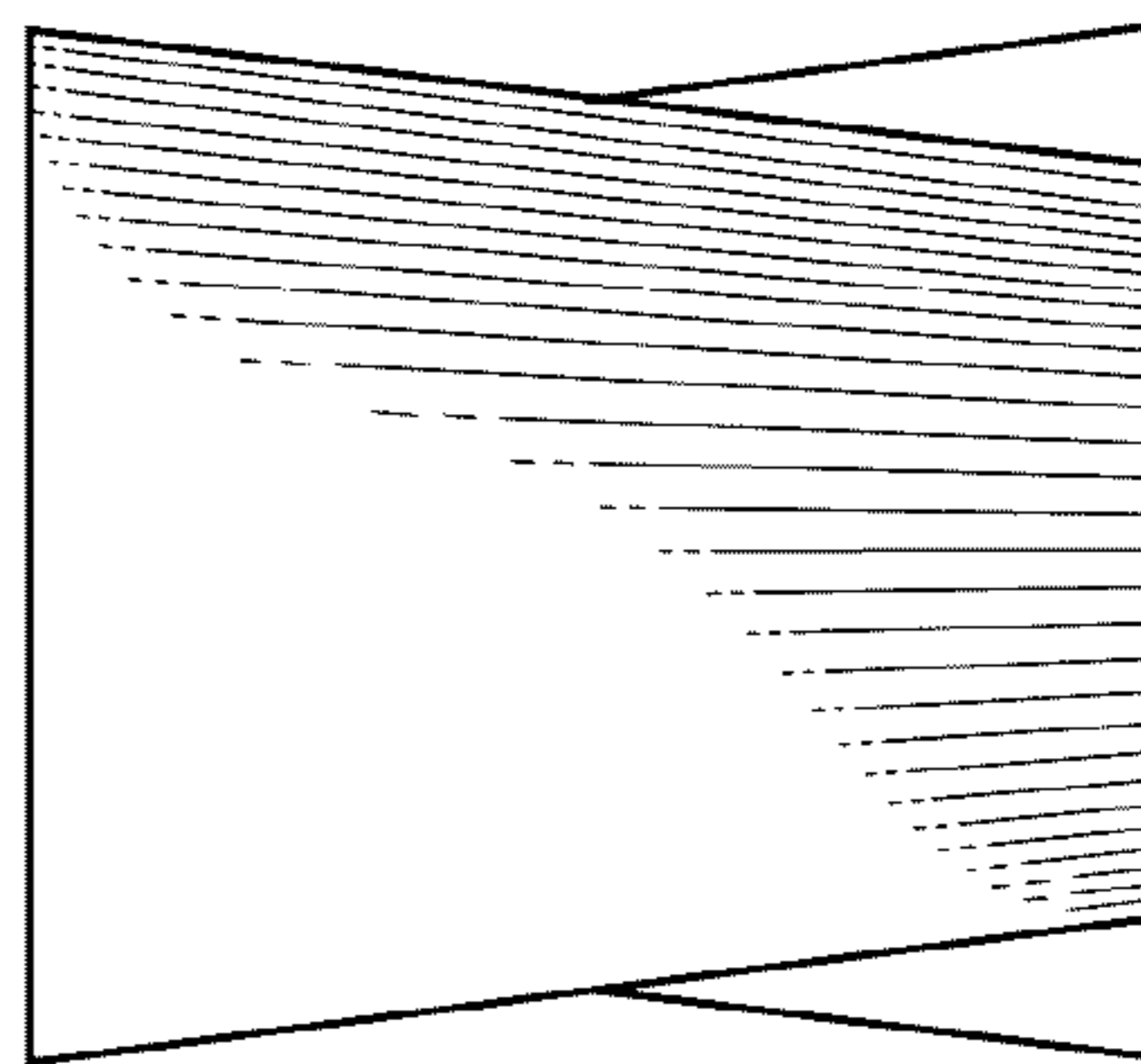


Figure 7