



US00D775936S

(12) **United States Design Patent**
Barnard

(10) **Patent No.:** **US D775,936 S**

(45) **Date of Patent:** **** Jan. 10, 2017**

(54) **CABLE MANAGEMENT STATION**

(71) Applicant: **Brandon Barnard**, Evansville, IN (US)

(72) Inventor: **Brandon Barnard**, Evansville, IN (US)

(**) Term: **15 Years**

(21) Appl. No.: **29/530,465**

(22) Filed: **Jun. 17, 2015**

(51) **LOC (10) Cl.** **08-05**

(52) **U.S. Cl.**
USPC **D8/356**

(58) **Field of Classification Search**
USPC D8/356, 354, 367, 349; D11/12, 56; 1/1;
D13/152, 139.1; 381/74; 24/115 R
CPC A63B 27/00; A63B 1/00; H04R 1/1033;
H01R 13/506; H01R 13/5833; H01R
31/06
See application file for complete search history.

(56) **References Cited**

U.S. PATENT DOCUMENTS

D538,227 S *	3/2007	Holland	D7/554.1
D592,937 S *	5/2009	Schwartz	D8/356
D601,096 S *	9/2009	Vigorito	D13/152
D610,435 S *	2/2010	Schwartz	D13/139.4
D691,878 S *	10/2013	Ganski	D8/356
D707,534 S *	6/2014	Crouse	D8/356
D711,323 S *	8/2014	Wardenburg	D13/146
D722,977 S *	2/2015	Hagarty	D13/152
D722,978 S *	2/2015	Hagarty	D13/152
D723,473 S *	3/2015	Hagarty	D13/152
D741,266 S *	10/2015	Byrne	D13/138.2
D741,267 S *	10/2015	Byrne	D13/139.1
D745,465 S *	12/2015	Hagarty	D13/152
D752,520 S *	3/2016	Hagarty	D13/152
D762,176 S *	7/2016	Byrne	D13/139.1
2006/0258195 A1 *	11/2006	Schwartz	A47B 21/06 439/131

2011/0244700 A1 *	10/2011	Byrne	H01R 13/52 439/137
2014/0082892 A1 *	3/2014	Honeycutt	A41D 1/002 24/115 R
2015/0037989 A1 *	2/2015	Byrne	H01R 13/4534 439/137

(Continued)

Primary Examiner — Cynthia Underwood

(74) *Attorney, Agent, or Firm* — Gary K. Price

(57) **CLAIM**

The ornamental design for a cable management station, as shown and described.

DESCRIPTION

FIG. 1 is a perspective view showing my new design for a cable management station and further illustrating a top side of my new design.

FIG. 2 is a perspective view of the station shown in FIG. 1.

FIG. 3 is a top perspective view of my new design and further illustrating a second, opposite side of the design.

FIG. 4 is a top perspective view of the station of FIG. 3.

FIG. 5 is a perspective view of my new design with a magnetic charging cable used for charging an electronic device shown in broken lines to illustrate the environment of the claimed design and forms no part thereof.

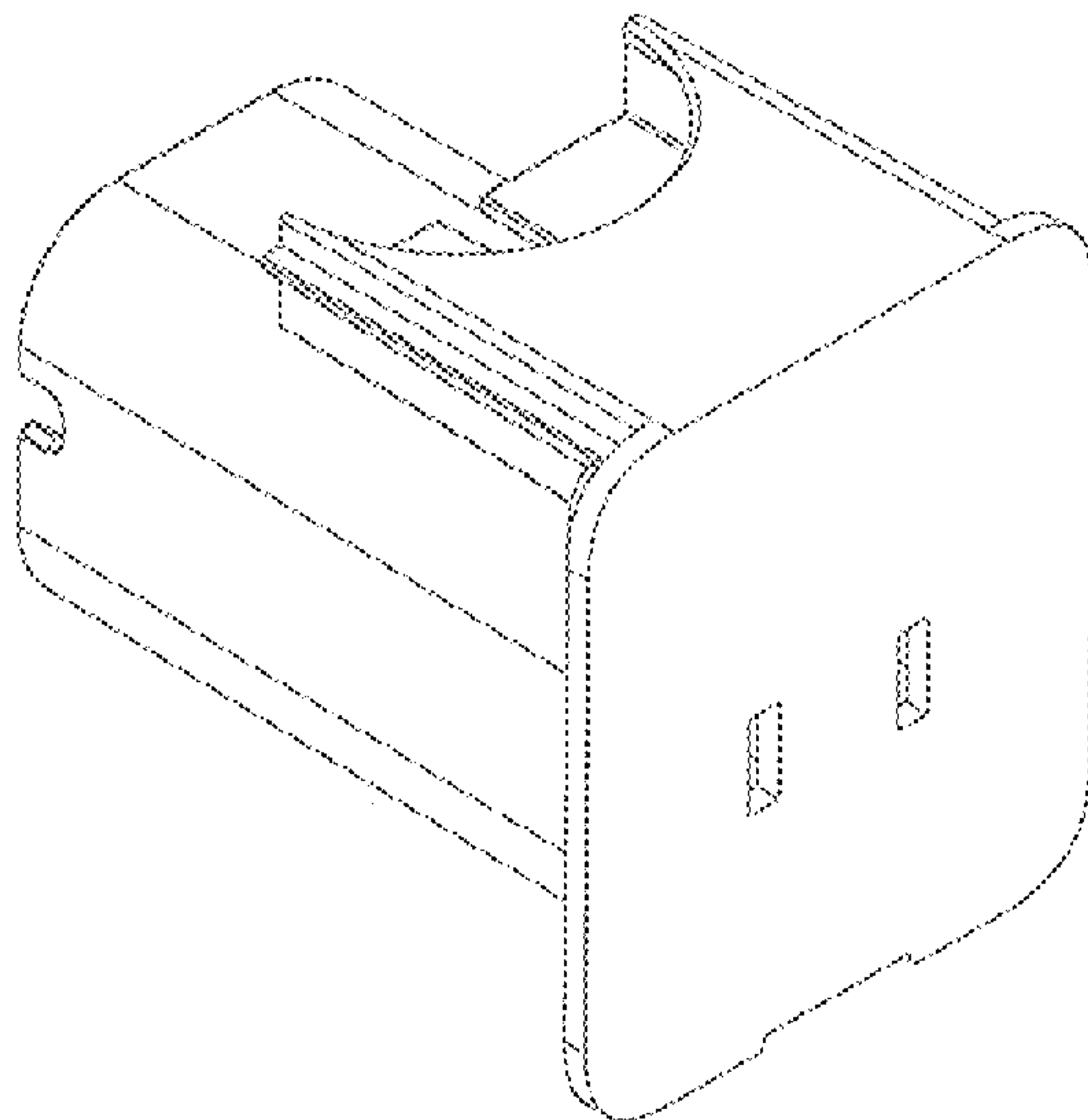
FIG. 6 is a perspective view of the device shown in FIG. 5, with the magnetic charging cable shown in broken lines to illustrate the environment of the claimed design and forms no part thereof.

FIG. 7 is a side view of the station with the cable shown in broken lines to illustrate the environment of the claimed design and forms no part thereof.

FIG. 8 is a bottom perspective view of the station of FIG. 1; and,

FIG. 9 is a bottom view of my design.

1 Claim, 5 Drawing Sheets



(56)

References Cited

U.S. PATENT DOCUMENTS

2016/0080851 A1* 3/2016 Sumsion H04B 1/086
381/74
2016/0220000 A1* 8/2016 McGuckin B65H 75/143

* cited by examiner

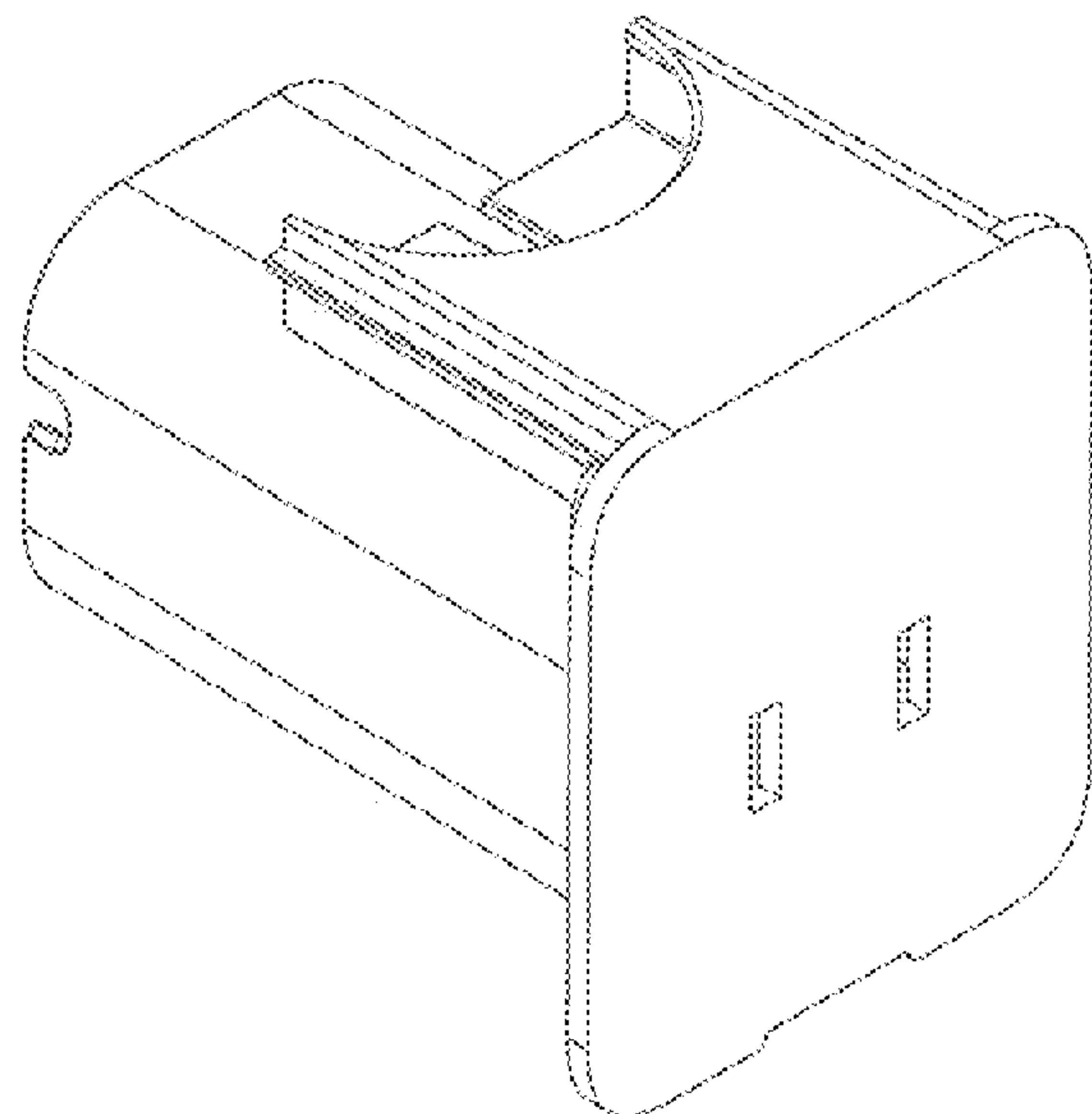


FIG. 1

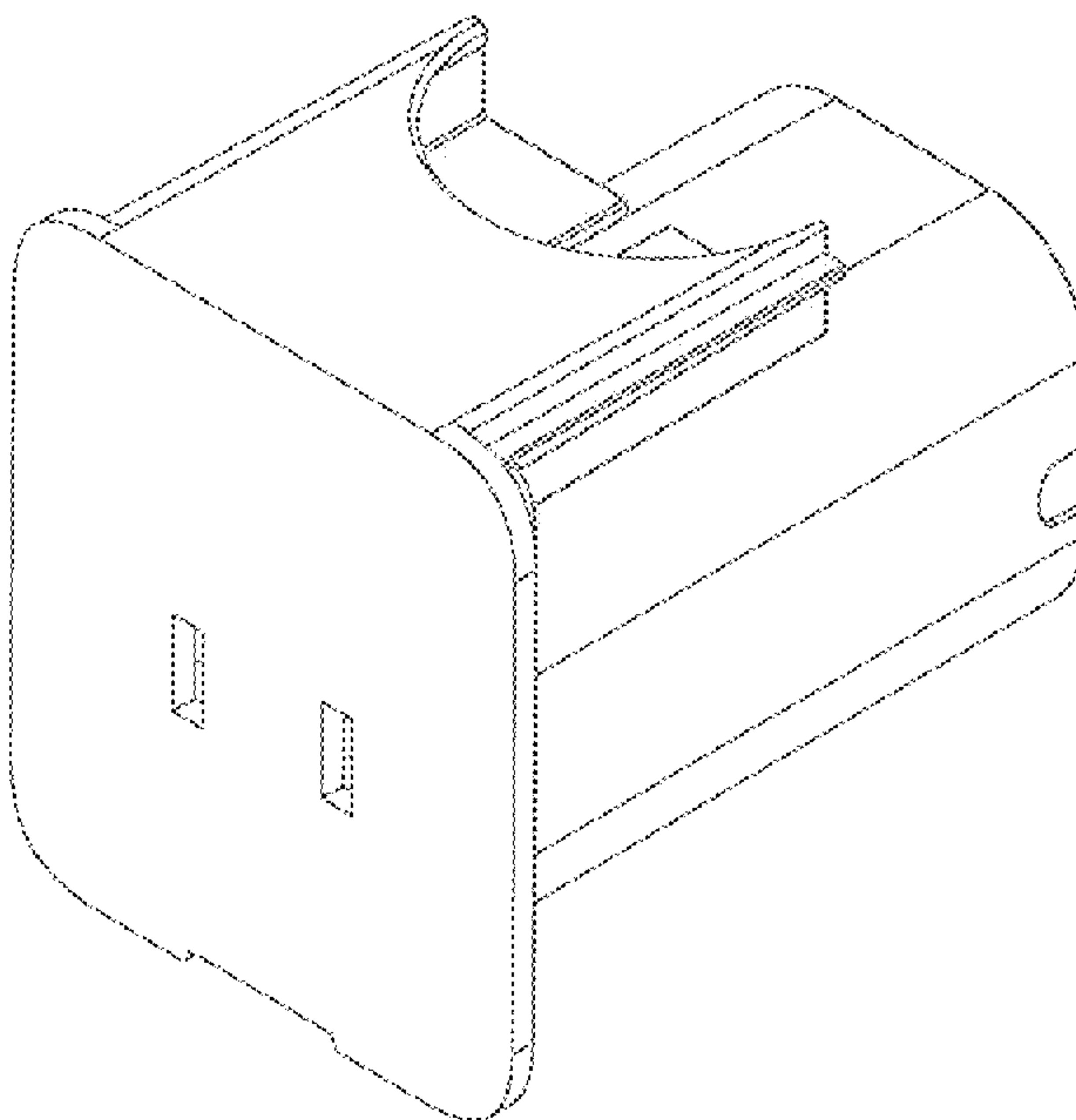


FIG. 2

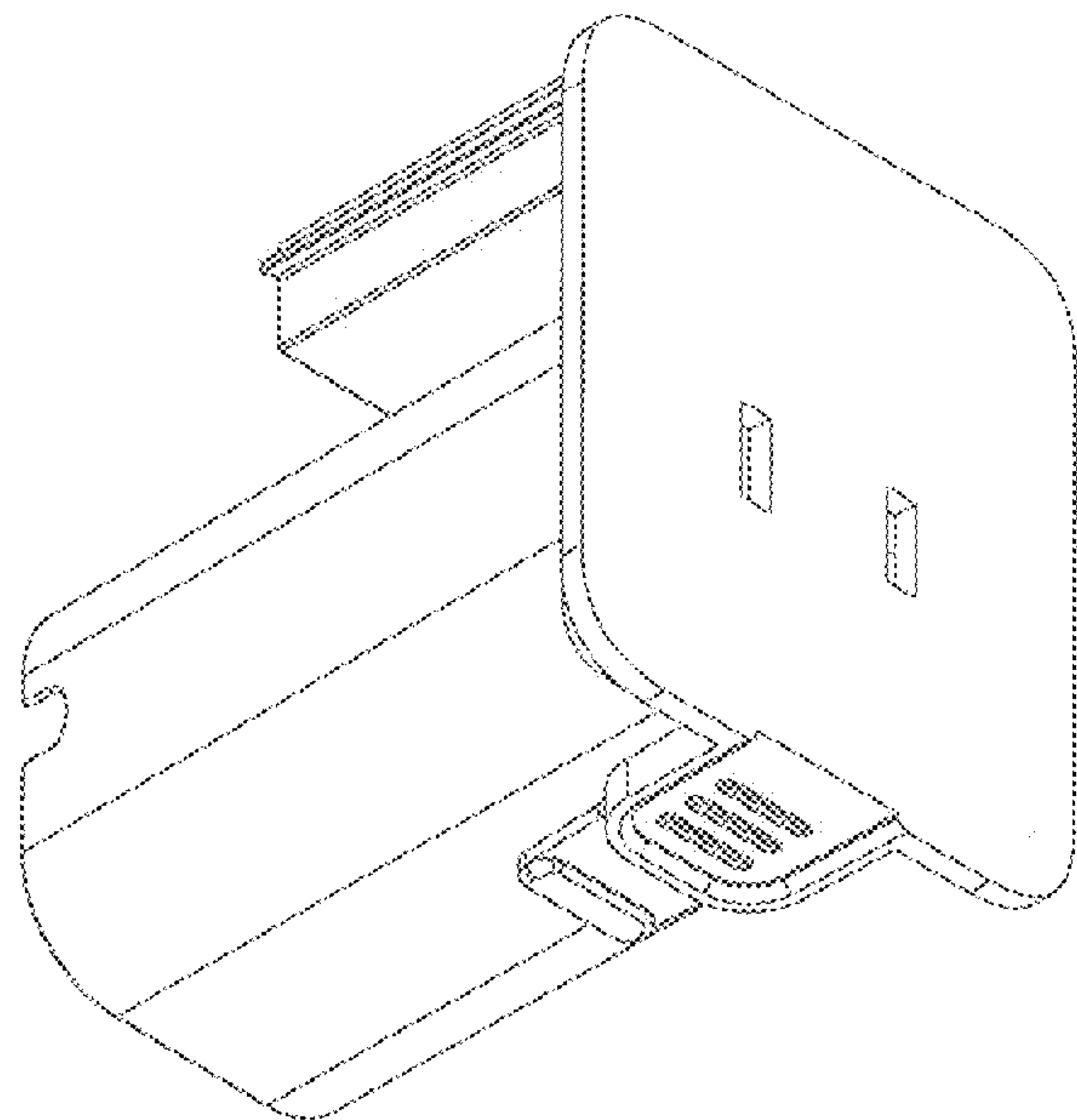


FIG. 3

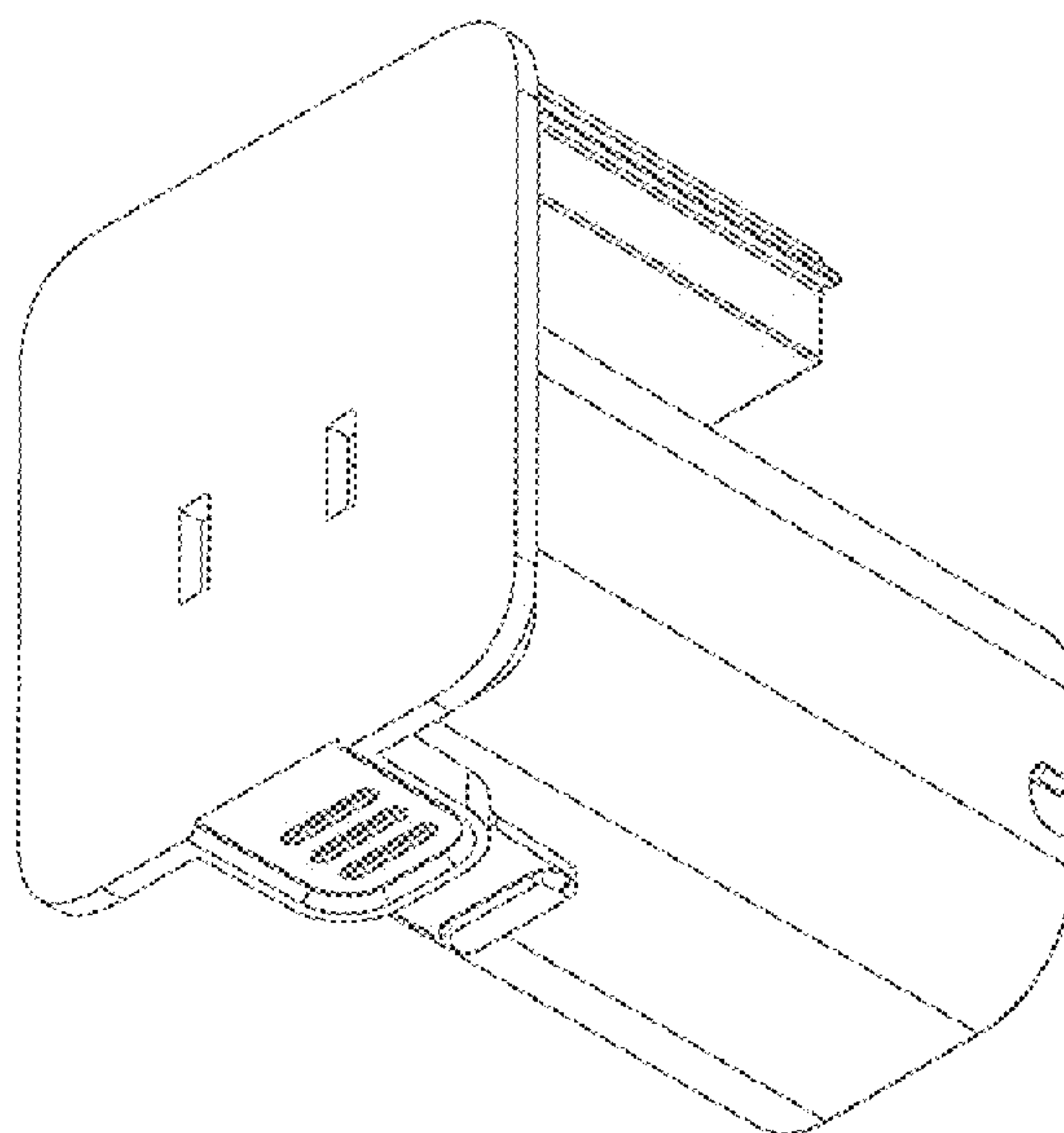


FIG. 4

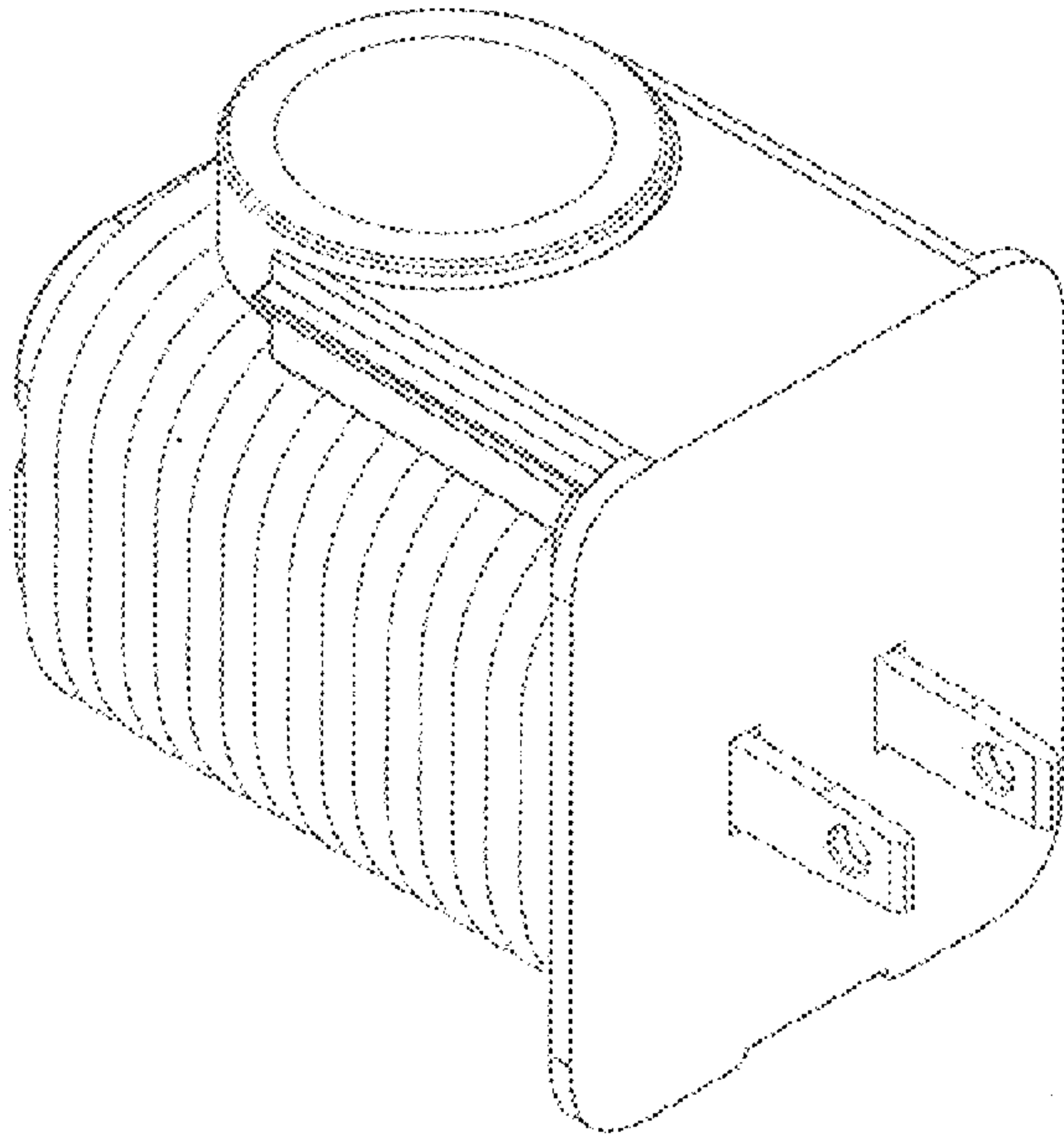


FIG. 5

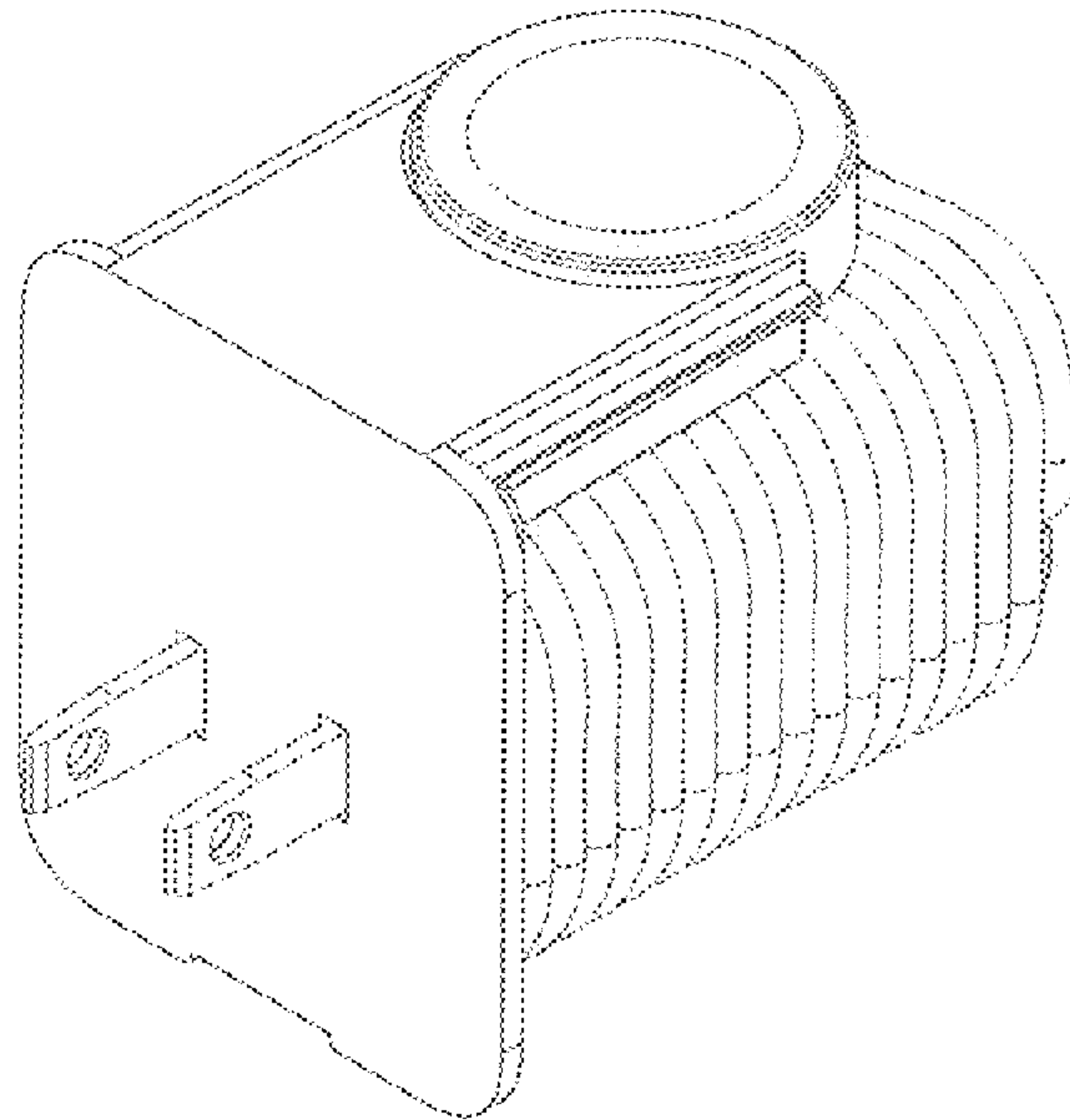
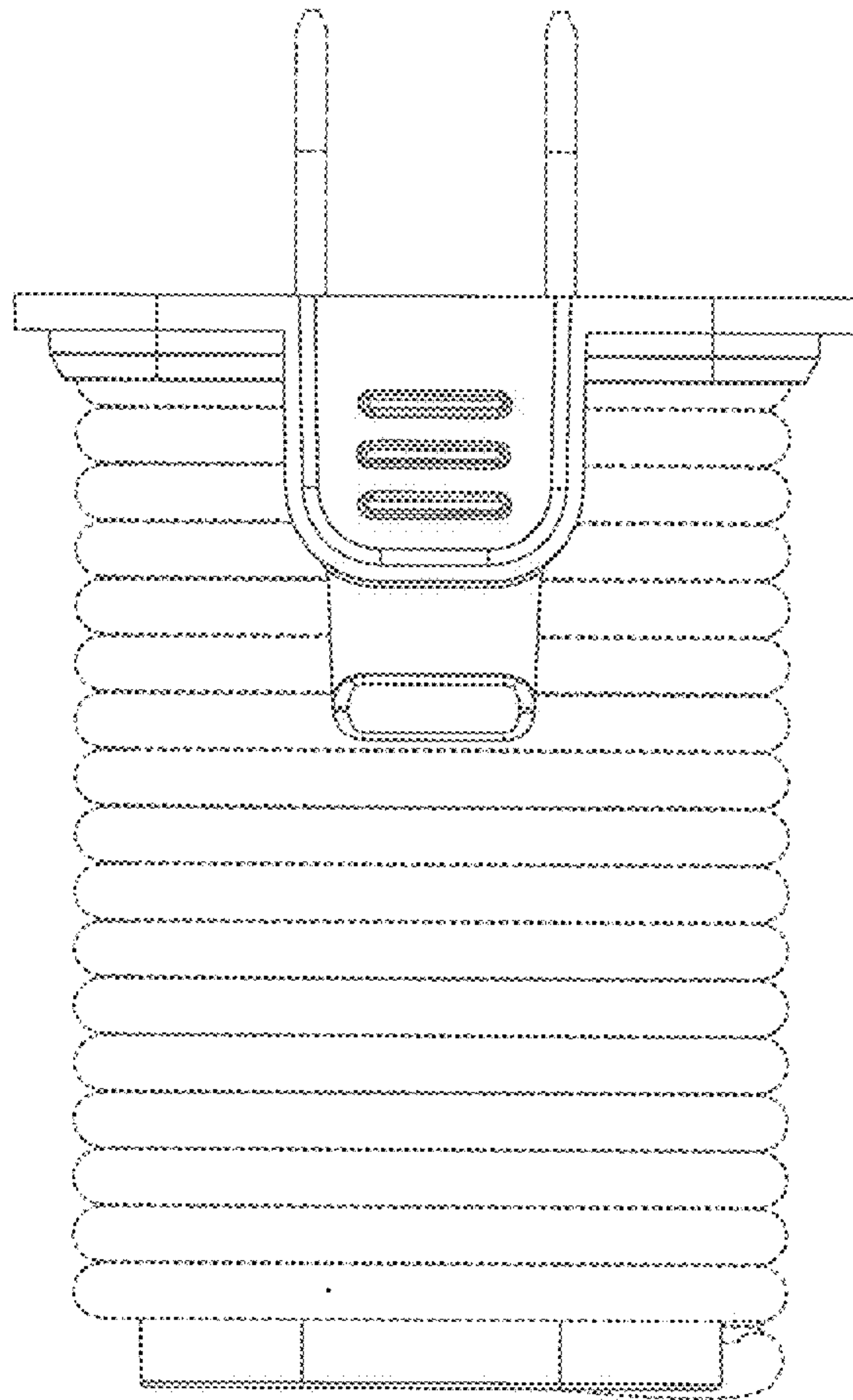


FIG. 6

FIG. 7



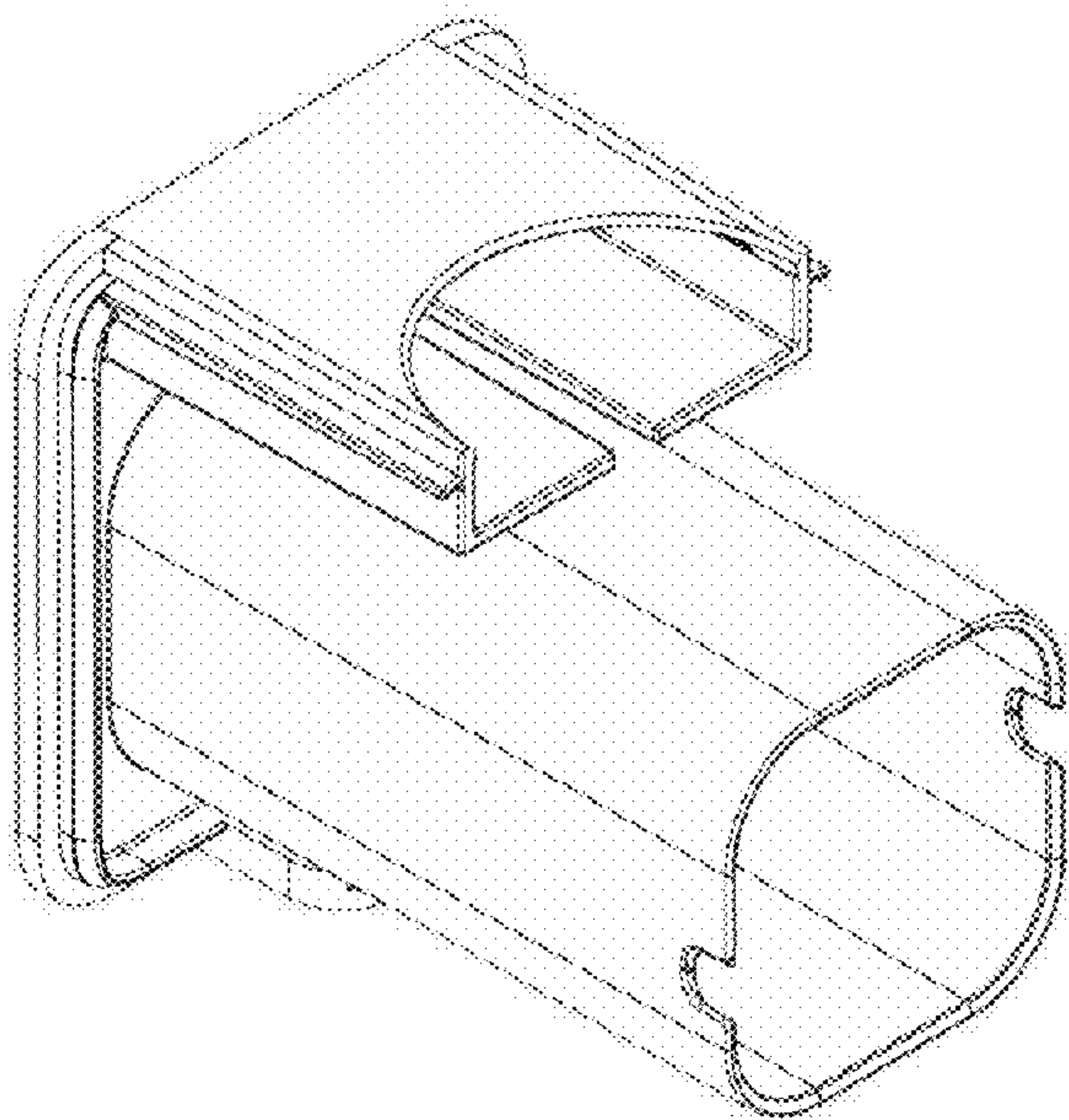


FIG. 8

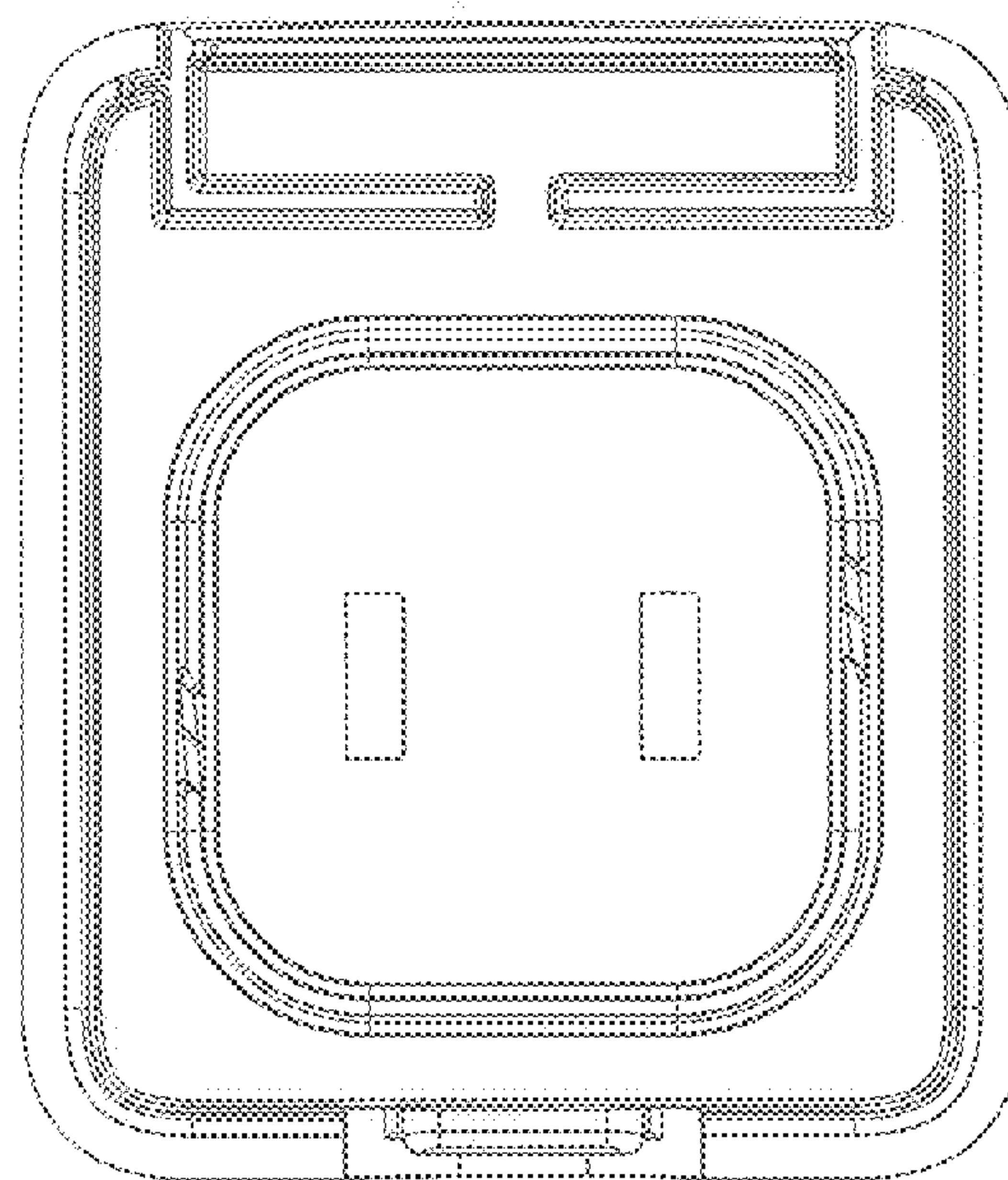


FIG. 9