



US00D775934S

(12) **United States Design Patent** (10) **Patent No.:** **US D775,934 S**
Hill (45) **Date of Patent:** **** Jan. 10, 2017**

- (54) **SHIMLESS SPACER** 4,534,088 A * 8/1985 Ricke F16B 5/0664
220/787
- (71) Applicant: **Jonathan A. Hill**, Clintonville, WI (US) D308,011 S * 5/1990 Norris D27/138
5,060,498 A 10/1991 Seto et al.
- (72) Inventor: **Jonathan A. Hill**, Clintonville, WI (US) 5,175,999 A 1/1993 Hara et al.
D347,567 S 6/1994 Duffy
5,327,762 A 7/1994 Nagamine et al.
D372,192 S 7/1996 Pigott et al.
5,599,264 A 2/1997 Hashimoto et al.
D380,959 S 7/1997 Mitchell
- (73) Assignee: **STEEL KING INDUSTRIES, INC.**, Stevens Point, WI (US) D523,328 S * 6/2006 Ramos D8/382
D547,172 S * 7/2007 Kent D8/397
D575,634 S * 8/2008 Lin D8/397
D607,851 S * 1/2010 Miyasaka D13/173
D633,872 S 3/2011 Shen et al.
- (**) Term: **15 Years** D658,973 S 5/2012 Drake
D658,978 S 5/2012 Linares
8,579,572 B1 11/2013 Psimas
D695,591 S 12/2013 Ackerman et al.
D700,501 S 3/2014 Ackerman et al.
D714,630 S * 10/2014 Irgens D8/394
D725,461 S * 3/2015 Kopp D8/397
D728,177 S * 4/2015 Ishibashi D32/25
- (21) Appl. No.: **29/505,707**
- (22) Filed: **Jan. 12, 2016**

Related U.S. Application Data

- (62) Division of application No. 29/463,135, filed on Aug. 12, 2013, now Pat. No. Des. 750,467.
- (51) **LOC (10) Cl.** **08-08**
- (52) **U.S. Cl.**
USPC **D8/354**; D8/349
- (58) **Field of Classification Search**
USPC D8/349, 354, 394-399, 499, 382;
D13/155, 173; D23/259, 269; D12/159
CPC F16B 1/00; F16B 39/24; F16B 43/00;
F16C 11/06; B65H 49/32; B65H 54/00;
B60B 11/00; G01M 1/00; B21B
27/02; B21B 31/18; B21C 37/08; B21D
3/00; B21D 5/08
See application file for complete search history.

References Cited

U.S. PATENT DOCUMENTS

- 1,792,122 A 6/1928 Rafter
- D198,713 S 7/1964 Curtiss
- 3,309,117 A 3/1967 Gottschald
- 4,008,598 A 2/1977 Purcupile et al.

Primary Examiner — Thomas Johannes
Assistant Examiner — Shawn T Gingrich
(74) *Attorney, Agent, or Firm* — Richard John Bartz

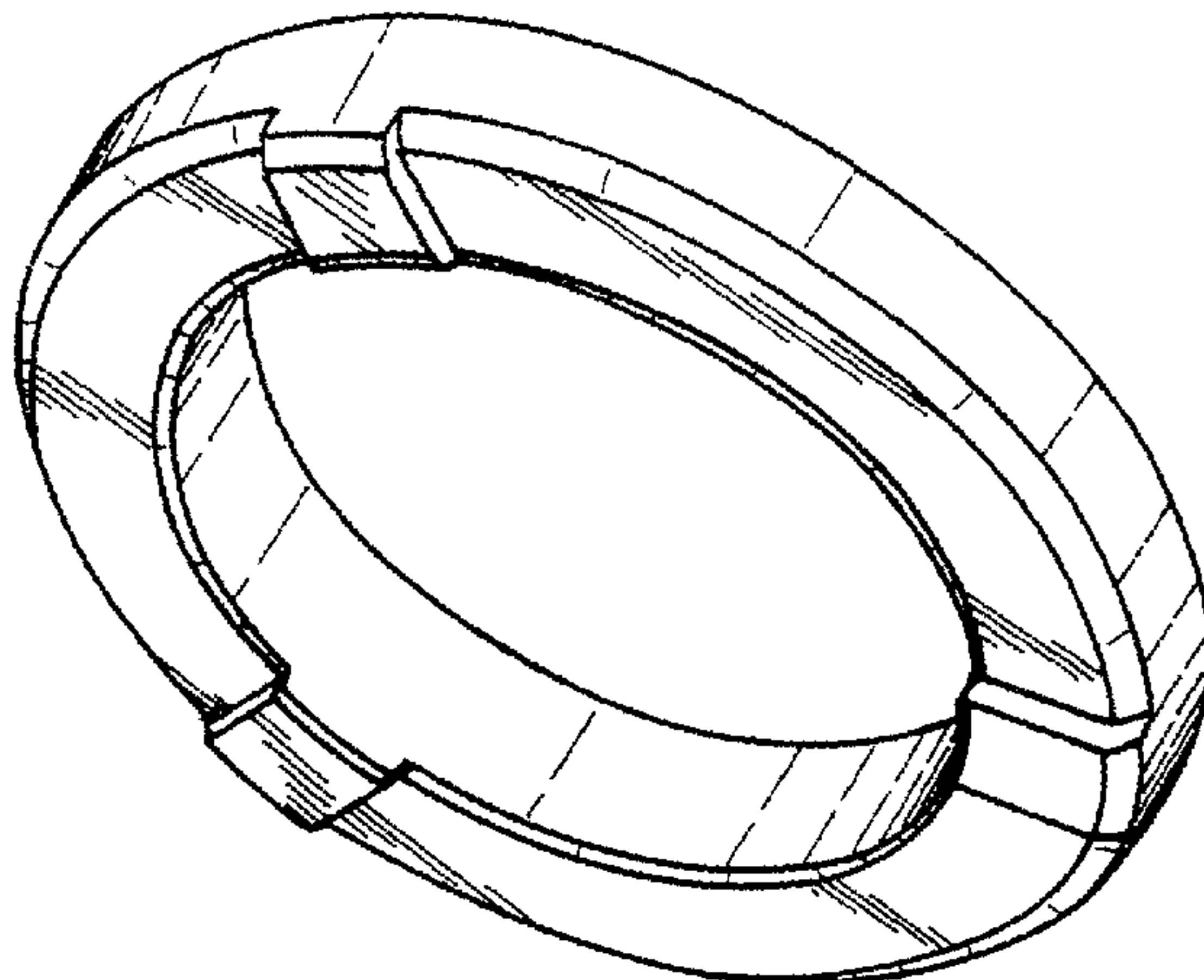
(57) **CLAIM**

The ornamental design of the shimless spacer, as shown and described.

DESCRIPTION

FIG. 1 is a perspective view of a shimless spacer of my new design;
FIG. 2 is a front elevational view thereof;
FIG. 3 is a rear elevational view thereof;
FIG. 4 is a top plan view thereof;
FIG. 5 is a bottom plan view thereof;
FIG. 6 is a side elevational view of the left side thereof; and,
FIG. 7 is a side elevational view of the right side thereof.

1 Claim, 3 Drawing Sheets



(56)

References Cited

U.S. PATENT DOCUMENTS

D737,415 S * 8/2015 Sato D23/269
D750,467 S * 3/2016 Hill D8/349
D766,703 S * 9/2016 Hill D8/354
2006/0260836 A1* 11/2006 Kreutz H02G 3/22
174/93
2013/0322797 A1 12/2013 Barth et al.
2015/0176434 A1* 6/2015 Gerend F23R 3/002
411/531
2015/0226249 A1* 8/2015 Otto F16B 31/028
29/525.02

* cited by examiner

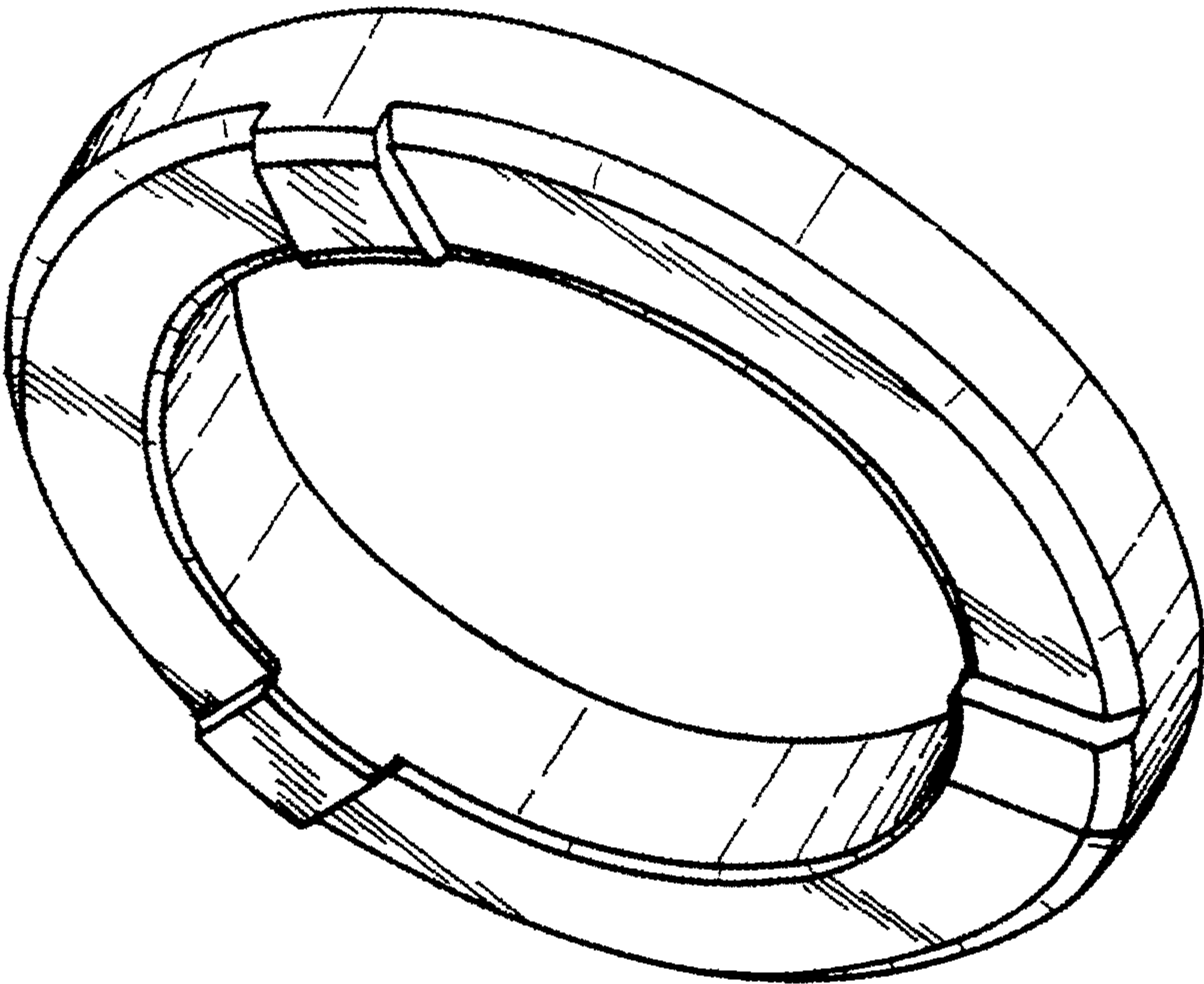


FIG. 1

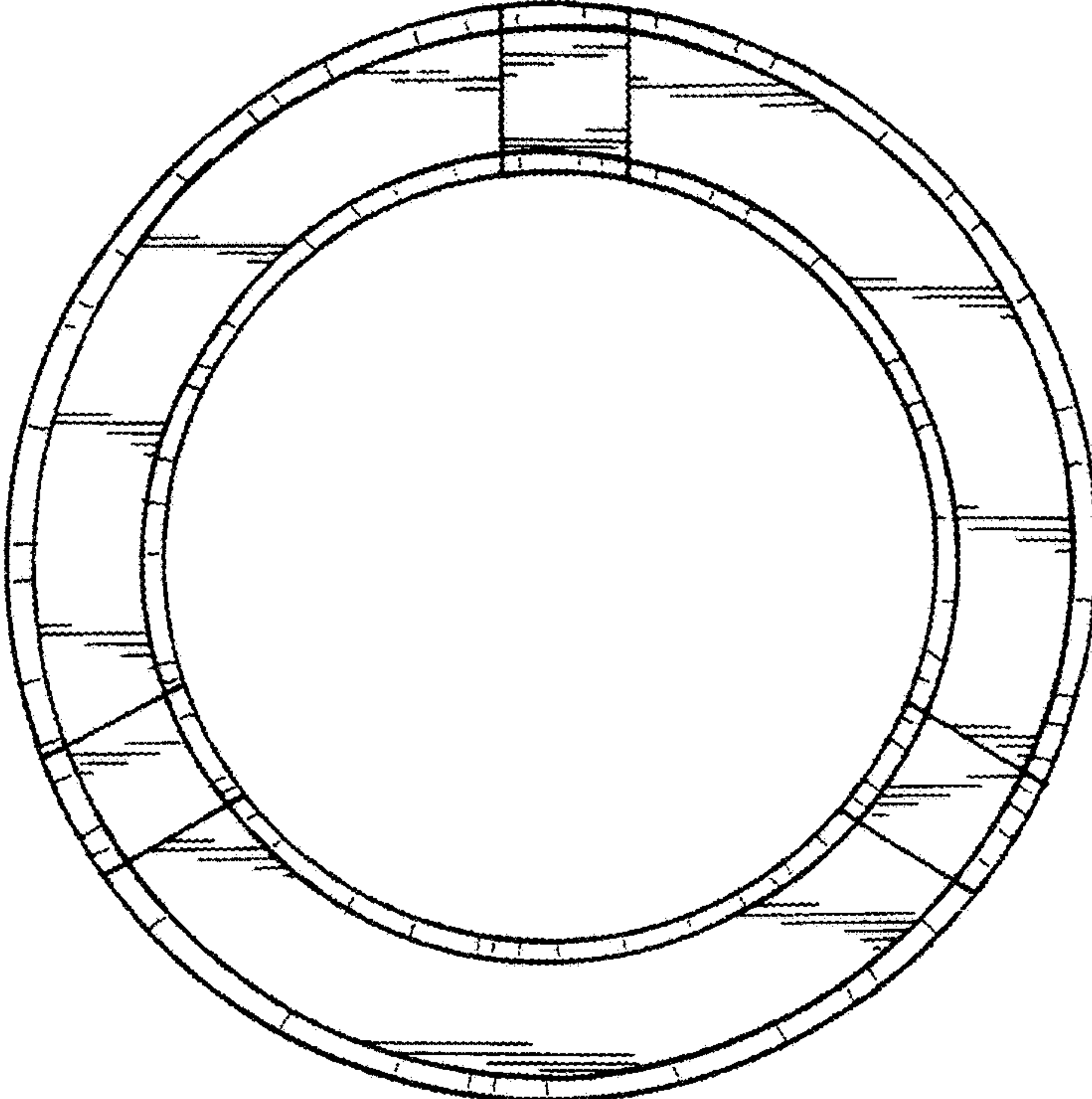


FIG. 2

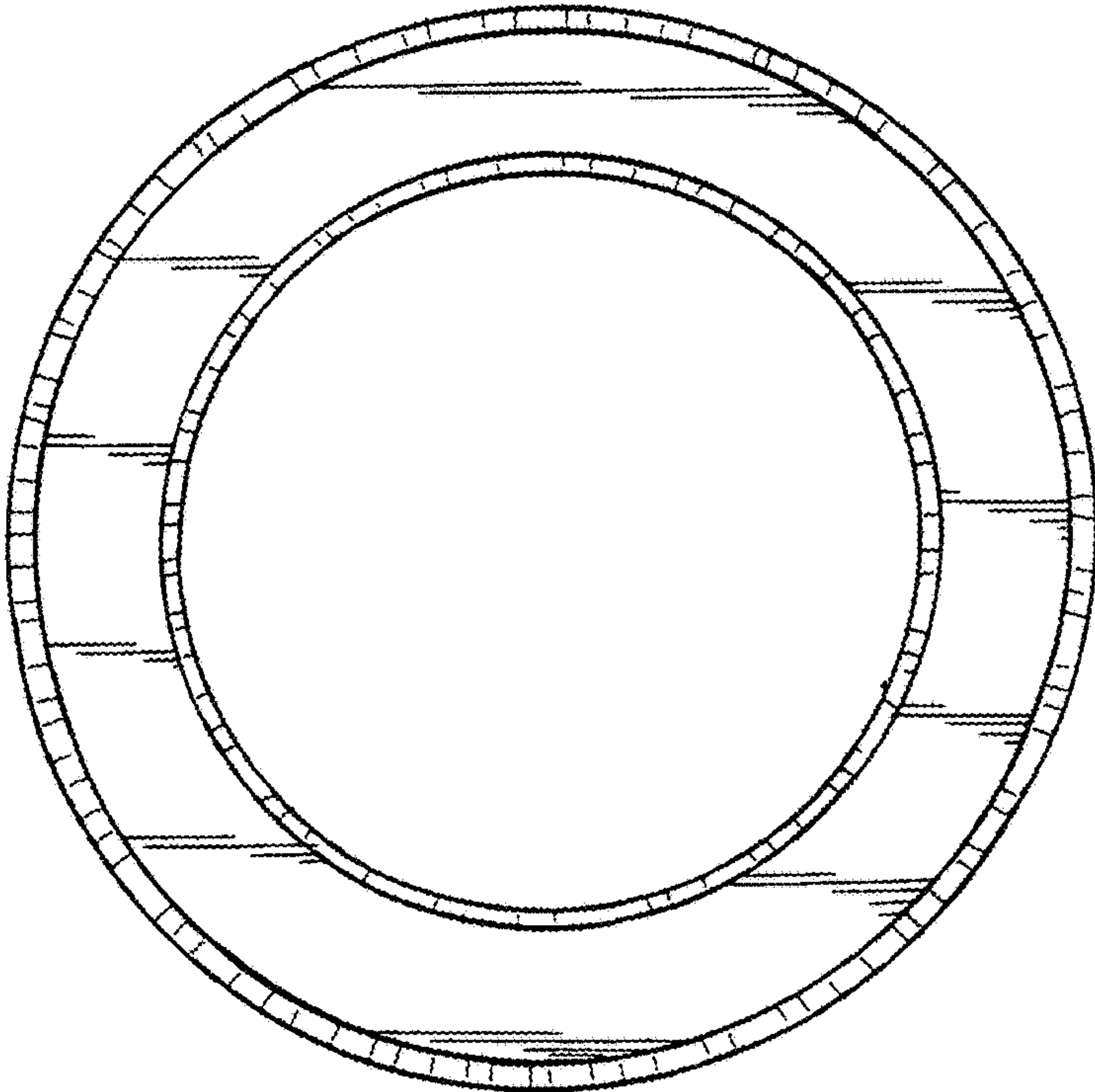


FIG. 3

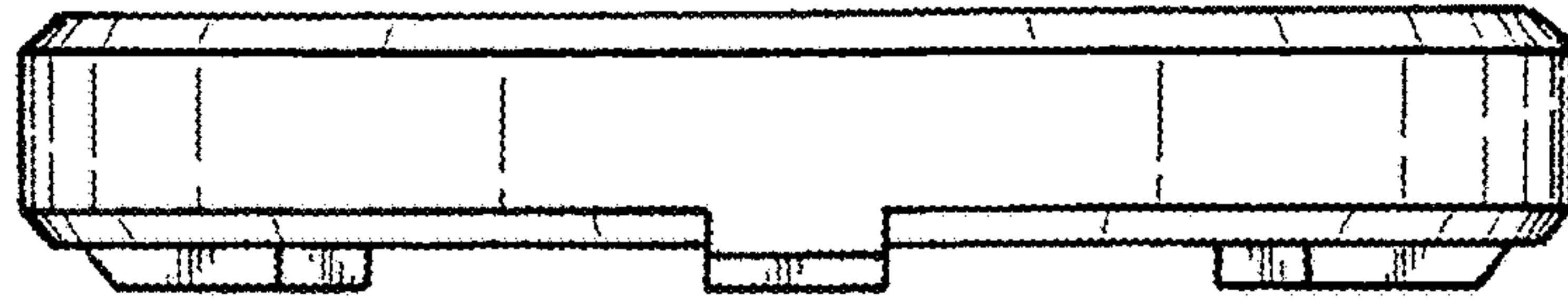


FIG. 4

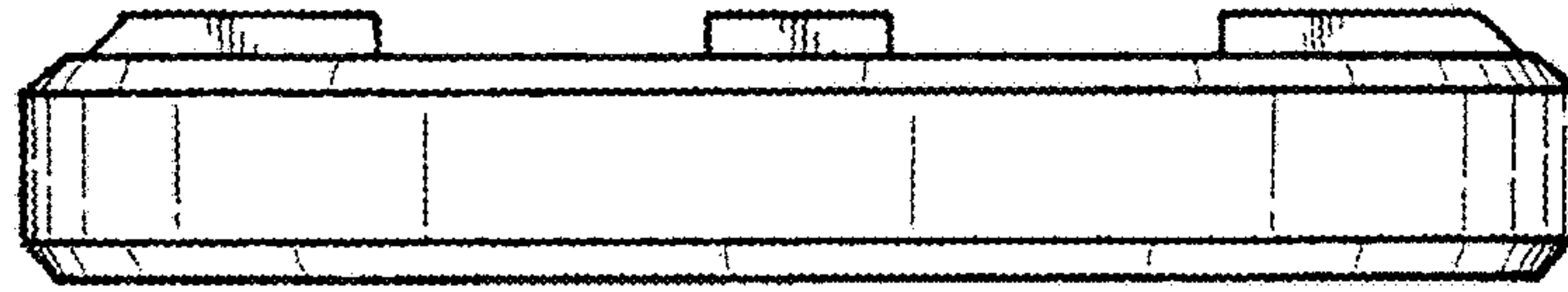


FIG. 5

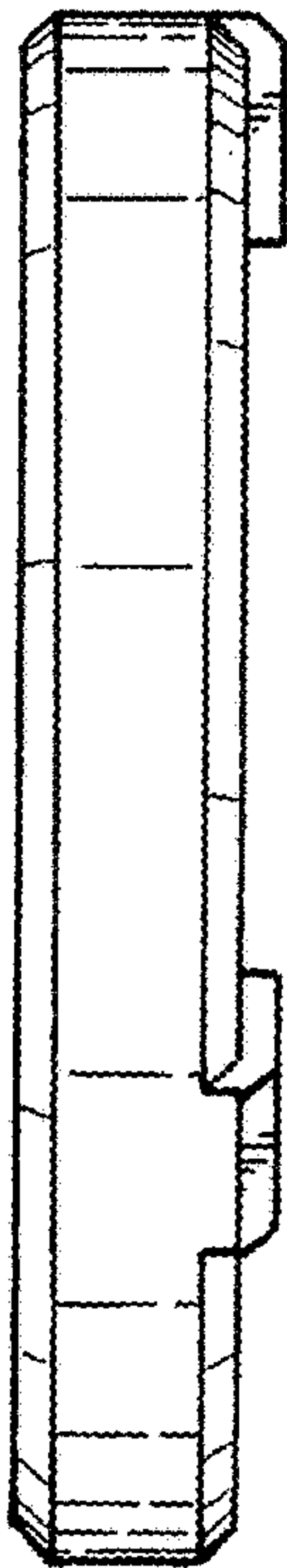


FIG. 6

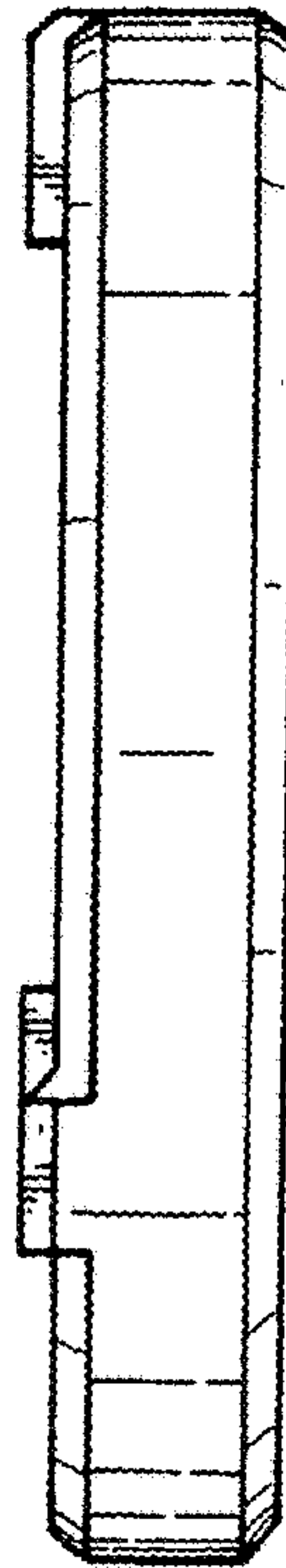


FIG. 7