



US00D775933S

(12) **United States Design Patent** (10) **Patent No.:** **US D775,933 S**  
**Hill** (45) **Date of Patent:** **\*\* Jan. 10, 2017**

- (54) **SHIMLESS SPACER** 4,534,088 A \* 8/1985 Ricke ..... F16B 5/0664  
220/787
- (71) Applicant: **Jonathan A. Hill**, Clintonville, WI (US) D308,011 S \* 5/1990 Norris ..... D27/138  
5,060,498 A 10/1991 Seto et al.
- (72) Inventor: **Jonathan A. Hill**, Clintonville, WI (US) 5,175,999 A 1/1993 Hara et al.  
D347,567 S 6/1994 Duffy  
5,327,762 A 7/1994 Nagamine et al.  
D372,192 S 7/1996 Pigott et al.  
5,599,264 A 2/1997 Hashimoto et al.  
D380,959 S 7/1997 Mitchell
- (73) Assignee: **STEEL KING INDUSTRIES, INC.**, Steven Point, WI (US) D547,172 S \* 7/2007 Kent ..... D8/397  
D575,634 S \* 8/2008 Lin ..... D8/397  
D576,028 S \* 9/2008 Lin ..... D8/397  
D607,851 S \* 1/2010 Miyasaka ..... D13/173  
D633,872 S 3/2011 Shen et al.
- (\*\*) Term: **15 Years** D658,973 S 5/2012 Drake  
D658,978 S 5/2012 Linares  
8,579,572 B1 11/2013 Psimas  
D695,591 S 12/2013 Ackerman et al.  
D700,501 S 3/2014 Ackerman et al.  
D714,630 S \* 10/2014 Irgens ..... D8/394  
D725,461 S \* 3/2015 Kopp ..... D8/397  
D728,177 S \* 4/2015 Ishibashi ..... D32/25
- (21) Appl. No.: **29/505,705**
- (22) Filed: **Jan. 12, 2016**

**Related U.S. Application Data**

- (62) Division of application No. 29/463,135, filed on Aug. 12, 2013, now Pat. No. Des. 750,467.

(51) **LOC (10) Cl.** ..... **08-08**

(52) **U.S. Cl.**  
USPC ..... **D8/354**; D8/349

(58) **Field of Classification Search**  
USPC ..... D8/349, 354, 394-399, 499, 382;  
D13/155, 173; D23/259, 269; D12/159  
CPC ..... F16B 1/00; F16B 39/24; F16B 43/00;  
F16C 11/06; B65H 49/32; B65H 54/00;  
B60B 11/00; G01M 1/00; B21B  
27/02; B21B 31/18; B21C 37/08; B21D  
3/00; B21D 5/08  
See application file for complete search history.

(56) **References Cited**

**U.S. PATENT DOCUMENTS**

- 1,792,122 A 6/1928 Rafter
- D198,713 S 7/1964 Curtiss
- 3,309,117 A 3/1967 Gottschald
- 4,008,598 A 2/1977 Purcupile et al.

- 8,579,572 B1 11/2013 Psimas
- D695,591 S 12/2013 Ackerman et al.
- D700,501 S 3/2014 Ackerman et al.
- D714,630 S \* 10/2014 Irgens ..... D8/394
- D725,461 S \* 3/2015 Kopp ..... D8/397
- D728,177 S \* 4/2015 Ishibashi ..... D32/25

(Continued)

*Primary Examiner* — Thomas Johannes

*Assistant Examiner* — Shawn T Gingrich

(74) *Attorney, Agent, or Firm* — Richard John Bartz

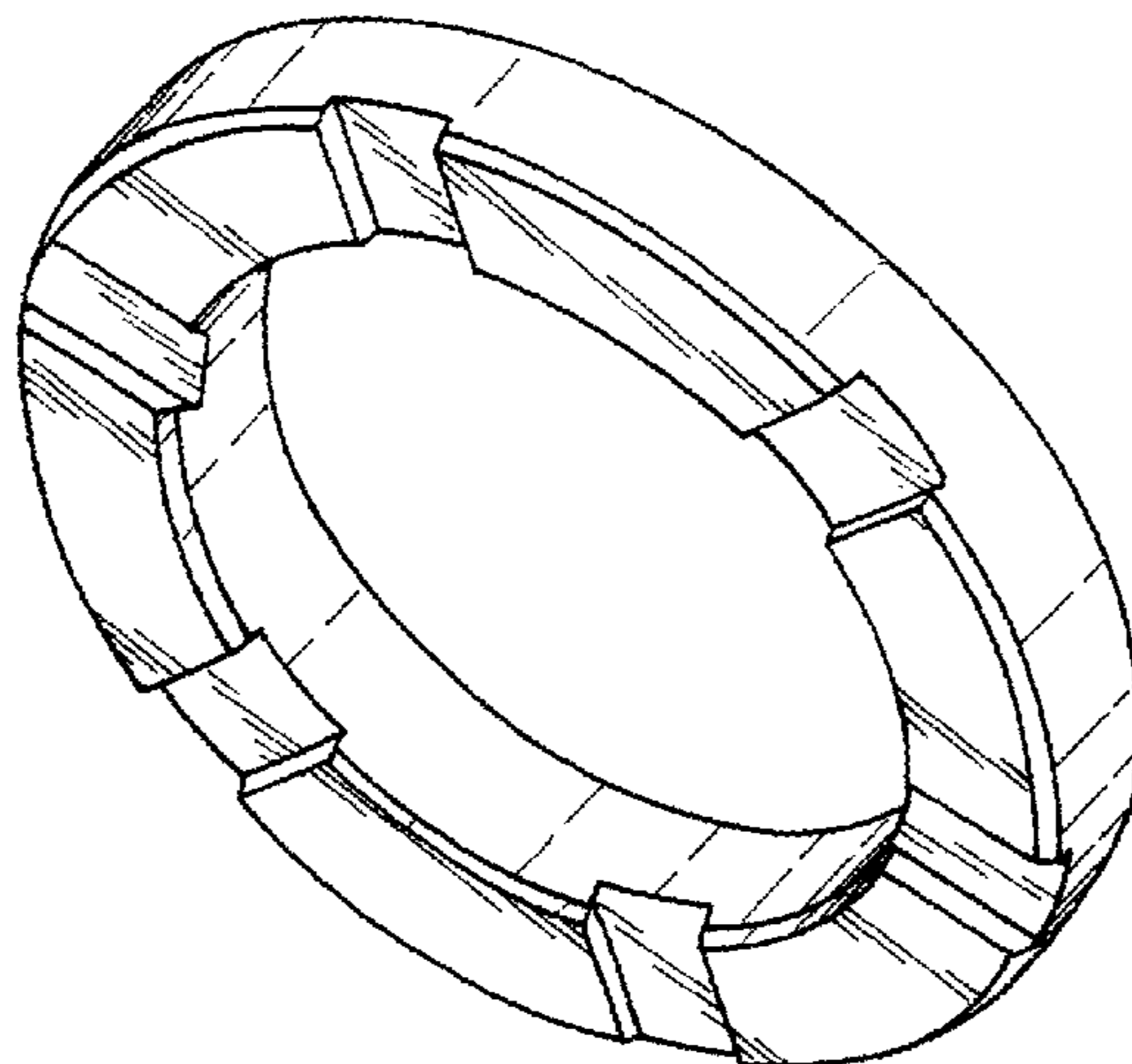
(57) **CLAIM**

The ornamental design of the shimless spacer, as shown and described.

**DESCRIPTION**

FIG. 1 is a perspective view of a shimless spacer of my new design;  
FIG. 2 is a front elevational view thereof;  
FIG. 3 is a rear elevational view thereof;  
FIG. 4 is a top plan view thereof;  
FIG. 5 is a bottom plan view thereof;  
FIG. 6 is a side elevational view of the left side thereof; and,  
FIG. 7 is a side elevational view of the right side thereof.

**1 Claim, 3 Drawing Sheets**



(56)

**References Cited**

U.S. PATENT DOCUMENTS

D736,129	S *	8/2015	Fretz .....	D12/207
D750,467	S *	3/2016	Hill .....	D8/349
D766,703	S *	9/2016	Hill .....	D8/354
D766,704	S *	9/2016	Hill .....	D8/354
2013/0322797	A1	12/2013	Barth et al.	
2015/0176434	A1*	6/2015	Gerend S .....	F23R 3/002 411/531
2015/0226249	A1*	8/2015	Otto .....	F16B 31/028 29/525.02

\* cited by examiner

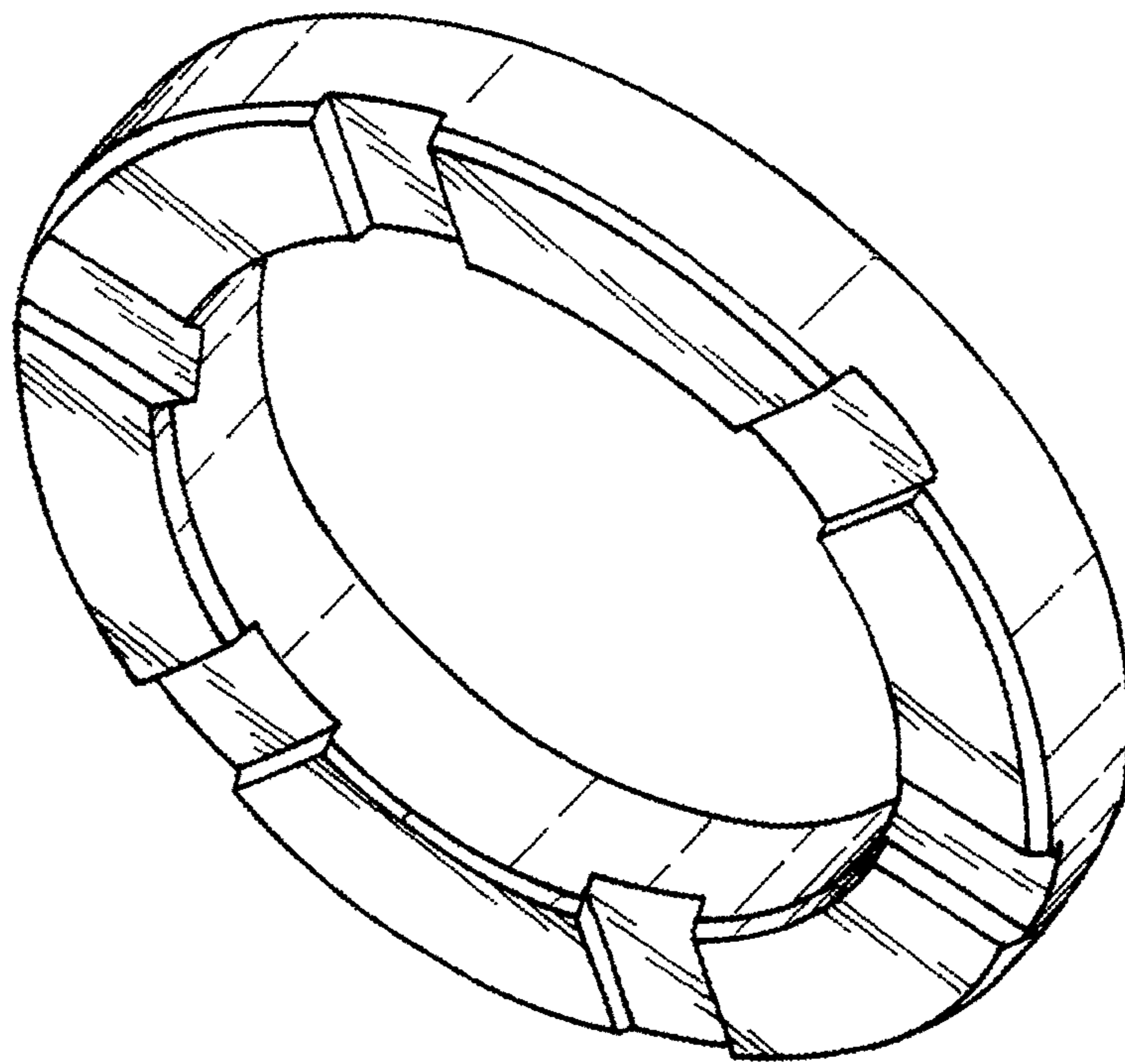


FIG.1

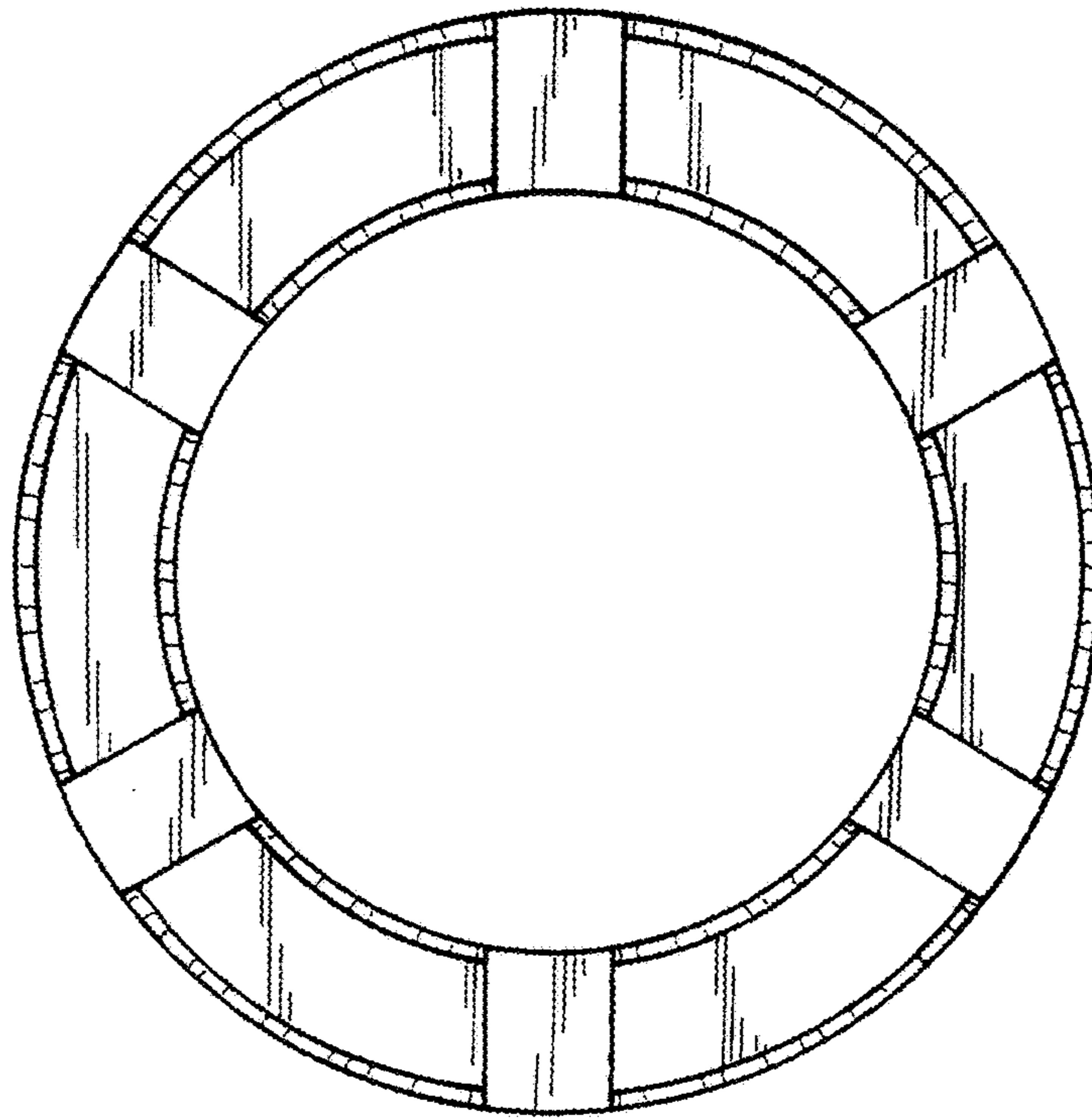


FIG. 2

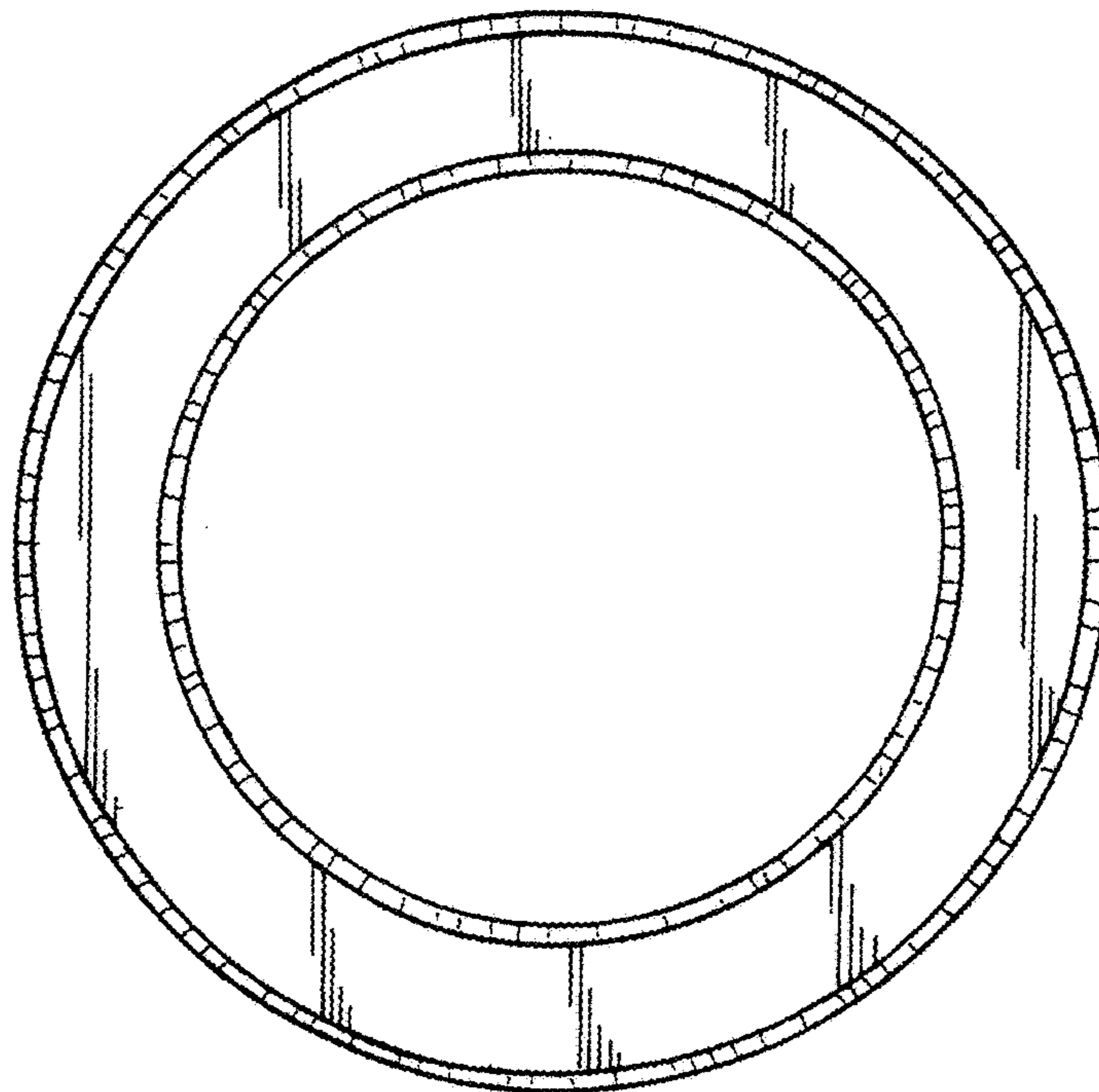


FIG. 3

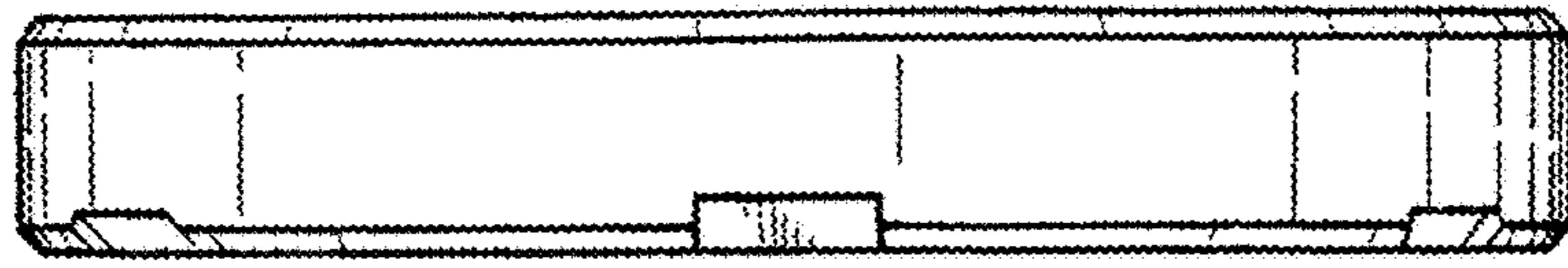


FIG. 4

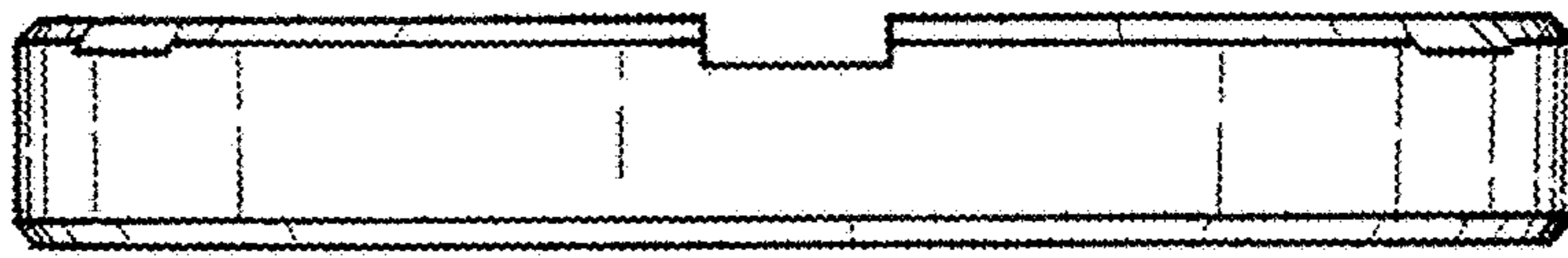


FIG. 5

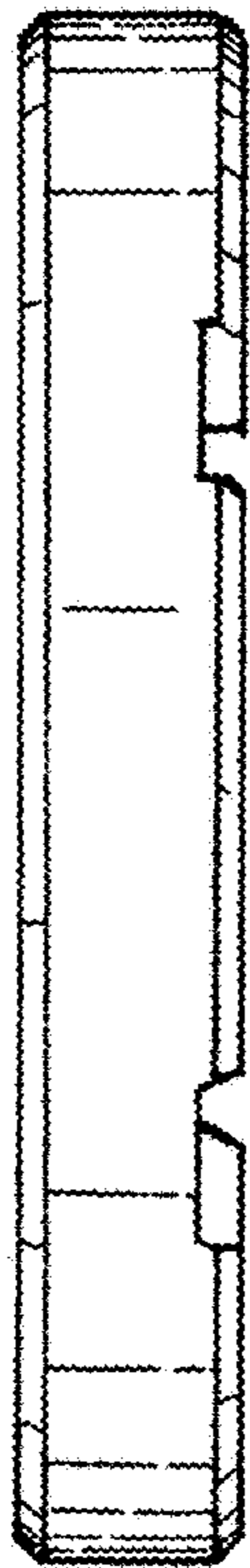


FIG. 6

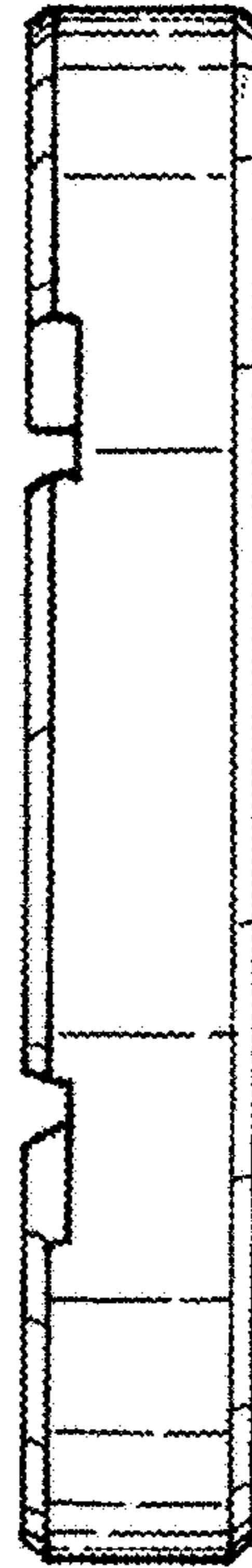


FIG. 7