



US00D775932S

(12) **United States Design Patent**
van Hillo et al.

(10) **Patent No.:** **US D775,932 S**
(45) **Date of Patent:** **** Jan. 10, 2017**

(54) **MAGNETIC CARRIER FOR A REHANGER**

(71) Applicant: **Meyn Beheer B.V.**

(72) Inventors: **Eric Adriaan van Hillo**, Oostzaan (NL); **Jan Willem Hagendoorn**, Oostzaan (NL)

(73) Assignee: **Meyn Beheer B.V.**, Oostzaan (NL)

(**) Term: **15 Years**

(21) Appl. No.: **29/540,423**

(22) Filed: **Sep. 24, 2015**

(30) **Foreign Application Priority Data**

Mar. 24, 2015 (EM) 002666800

(51) **LOC (10) Cl.** **08-08**

(52) **U.S. Cl.**
USPC **D8/349**

(58) **Field of Classification Search**
USPC . D8/349, 354, 373, 377, 380; 452/177-184, 452/125
CPC A22C 17/00; A22B 7/002; A22B 7/003; A22B 7/005; A22B 7/00; A22B 5/007; A22B 5/00

See application file for complete search history.

(56) **References Cited**

U.S. PATENT DOCUMENTS

- 2,959,807 A * 11/1960 Johnson, Jr. E05D 15/0634 16/87 R
- D251,702 S * 5/1979 Martini D25/39
- D259,330 S * 5/1981 Stine D8/373
- D278,794 S * 5/1985 Vater D8/377
- D383,057 S * 9/1997 Davies D8/400
- D395,817 S * 7/1998 Wu D8/377
- D411,437 S * 6/1999 Thompson D8/377

- D413,507 S * 9/1999 Wu D8/377
- 6,152,816 A * 11/2000 van den Nieuwelaar A22C 21/06 198/465.1
- D436,842 S * 1/2001 Anderson D8/382
- 6,244,425 B1 * 6/2001 Volker B65G 17/20 198/686
- D444,698 S * 7/2001 Anderson D8/377
- 6,277,021 B1 * 8/2001 Meyn A22C 21/0007 452/182
- 9,004,988 B2 * 4/2015 Van Der Steen A22B 5/007 452/125
- D741,736 S * 10/2015 Hagendoorn D10/89
- 9,192,172 B2 * 11/2015 Van Der Steen A22B 5/007
- D758,829 S * 6/2016 Bennett D8/328
- 2005/0059332 A1 * 3/2005 Berry A22C 21/00 452/150
- 2012/0238195 A1 * 9/2012 Janssen A22C 21/0023 452/179
- 2012/0315834 A1 * 12/2012 Van Der Steen A22B 5/007 452/125
- 2013/0029574 A1 * 1/2013 Van Der Steen A22B 5/007 452/125

(Continued)

Primary Examiner — Mark Goodwin

(74) *Attorney, Agent, or Firm* — Dority & Manning, P.A.

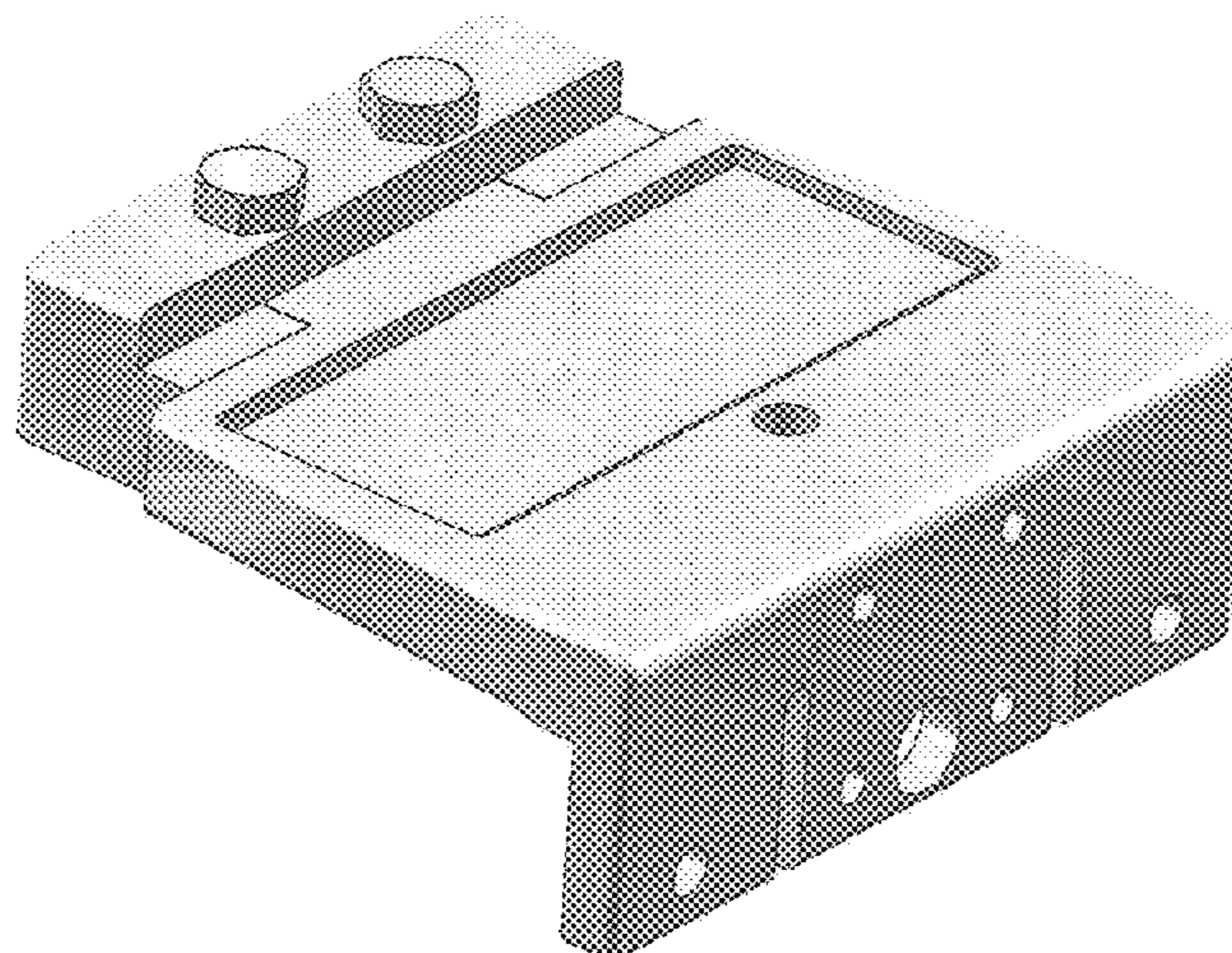
(57) **CLAIM**

The ornamental design for a magnetic carrier for a rehanger, as shown and described.

DESCRIPTION

- FIG. 1 is a back view of the magnetic carrier for a rehanger showing the new design.
- FIG. 2 is a bottom view of the new design.
- FIG. 3 is a front view of the new design.
- FIG. 4 is a isometric view of the new design.
- FIG. 5 is a left side view of the new design.
- FIG. 6 is a right side view of the new design; and,
- FIG. 7 is a top view of the new design.

1 Claim, 7 Drawing Sheets



(56)

References Cited

U.S. PATENT DOCUMENTS

2016/0037787 A1 * 2/2016 Van Der Steen

* cited by examiner

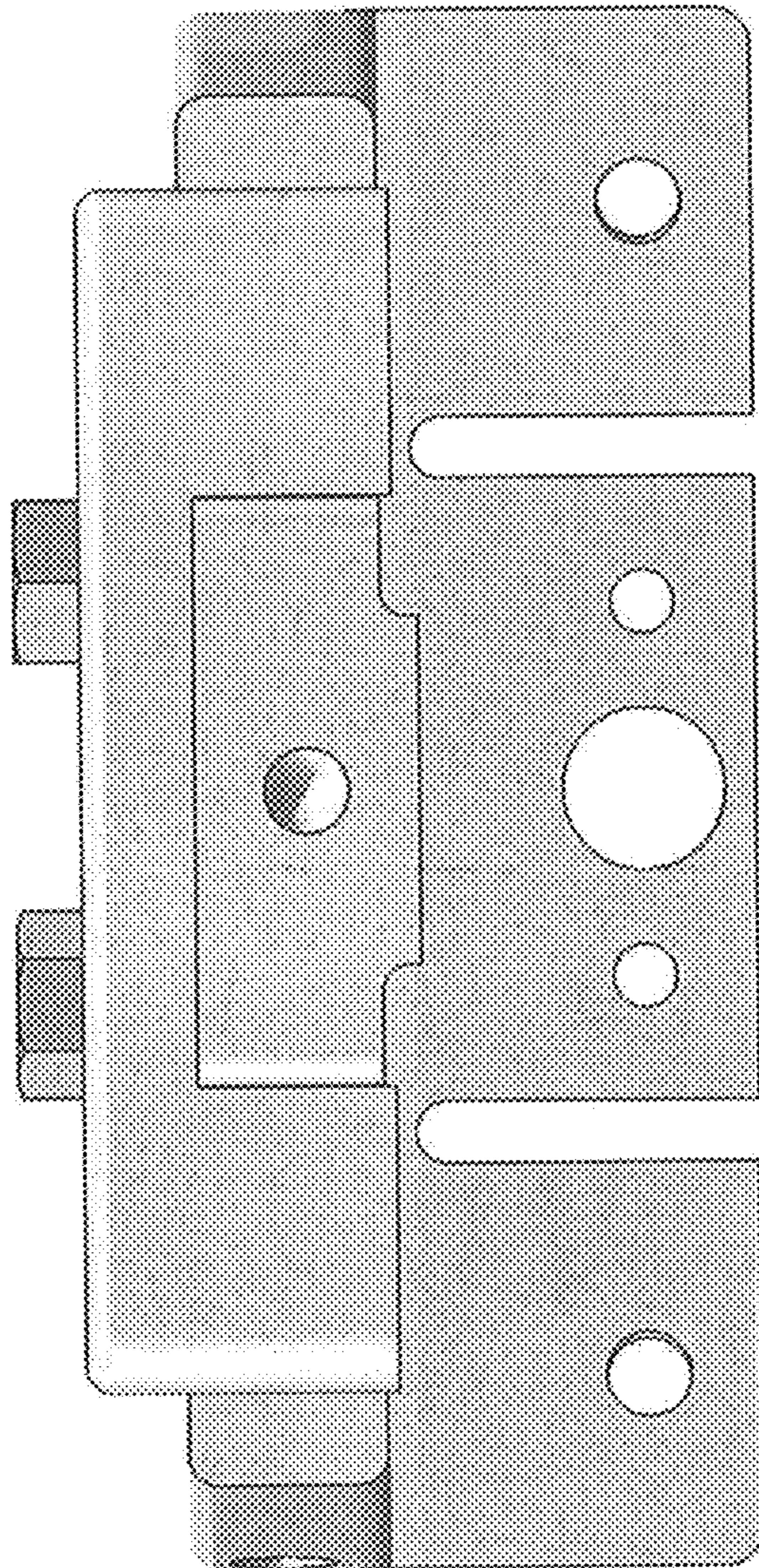


fig. 1

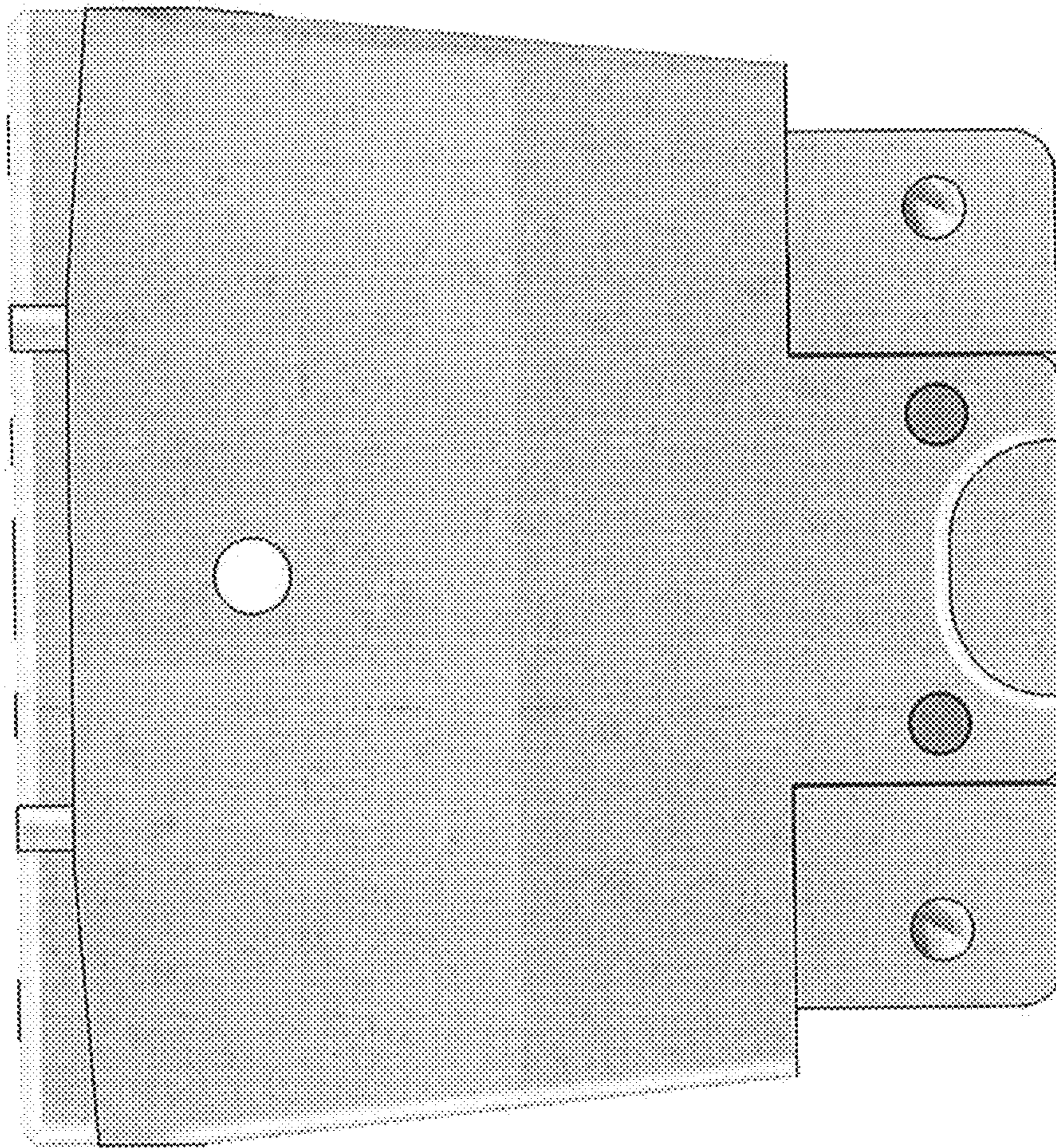


fig. 2

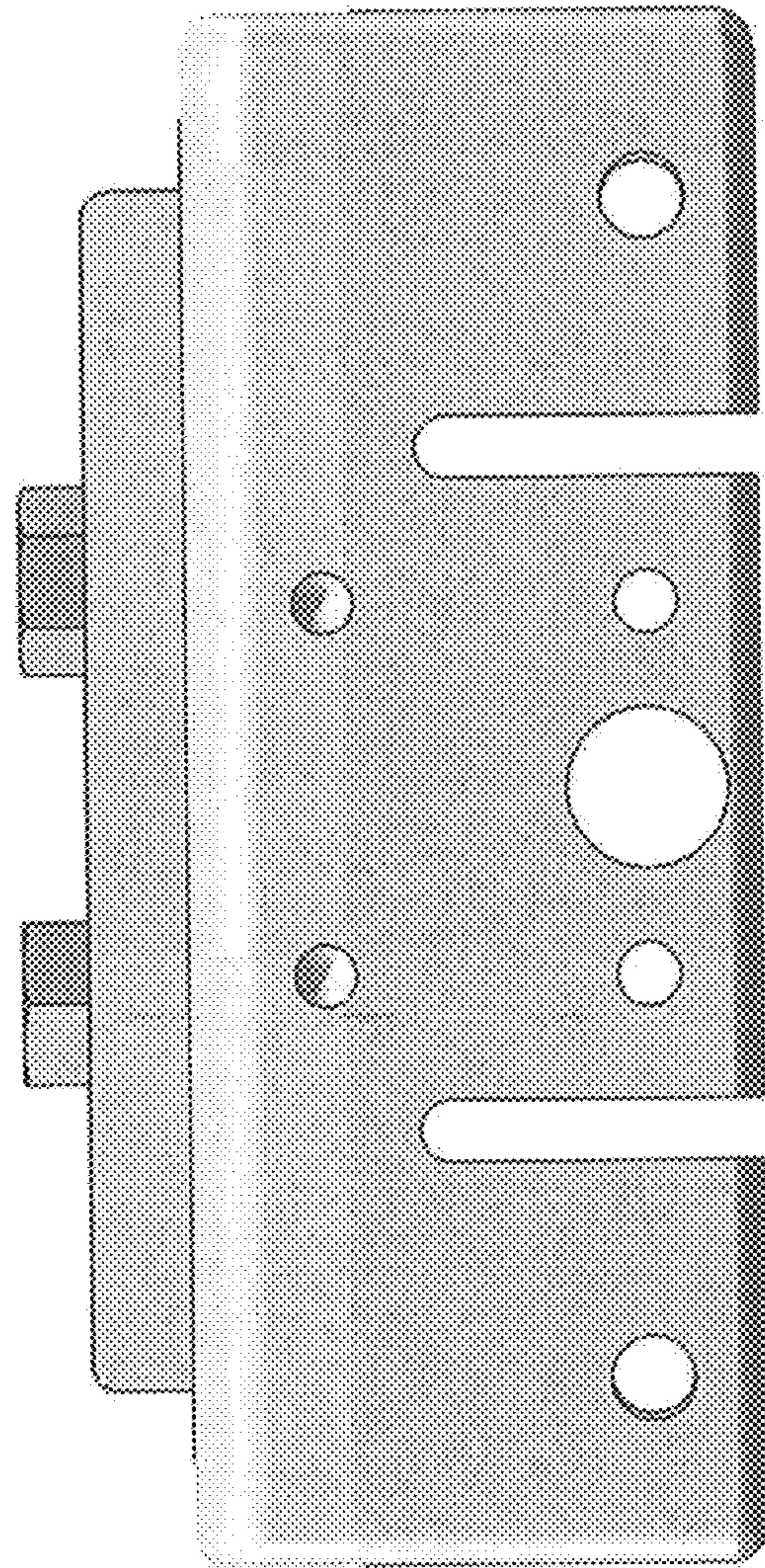


fig. 3

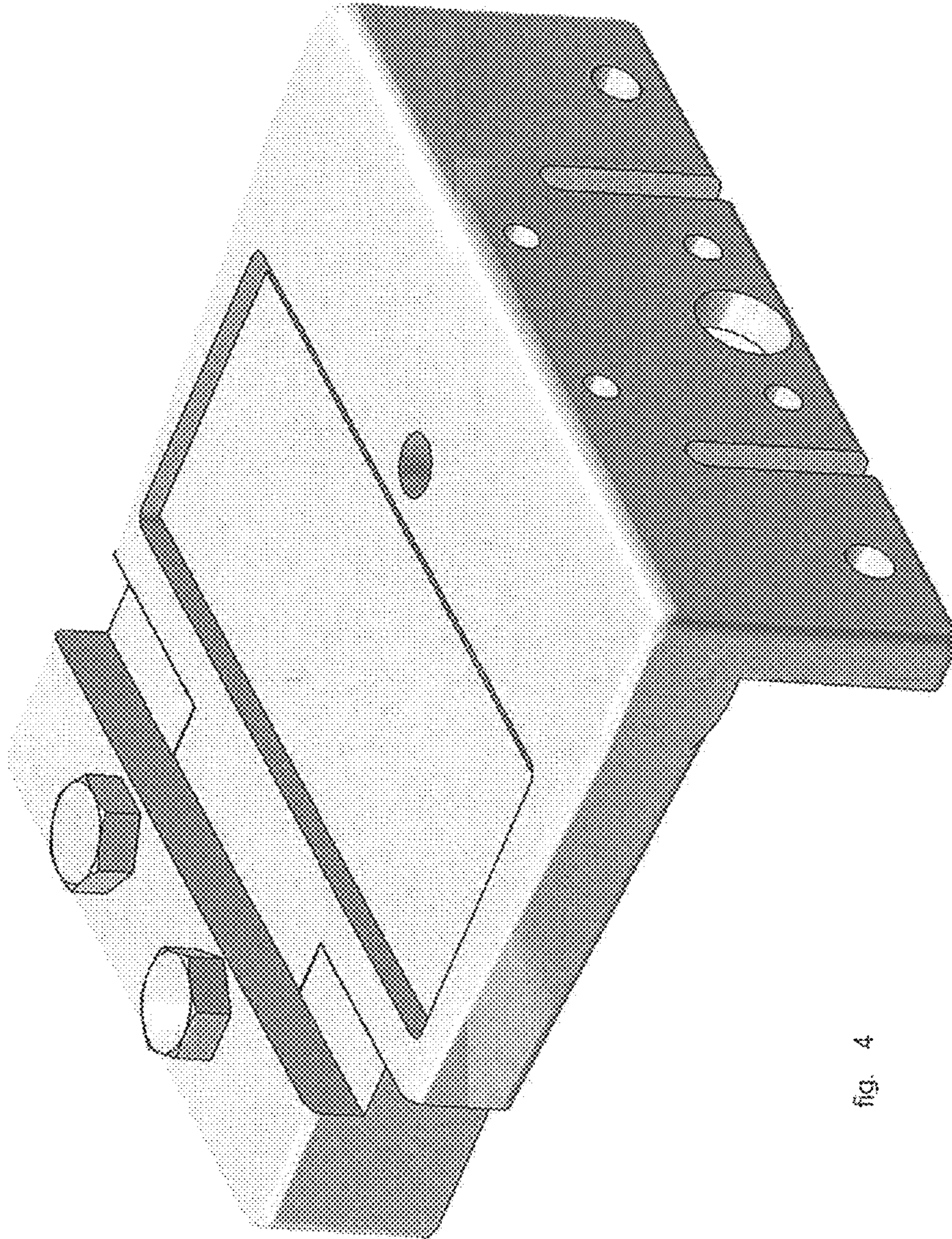


fig. 4

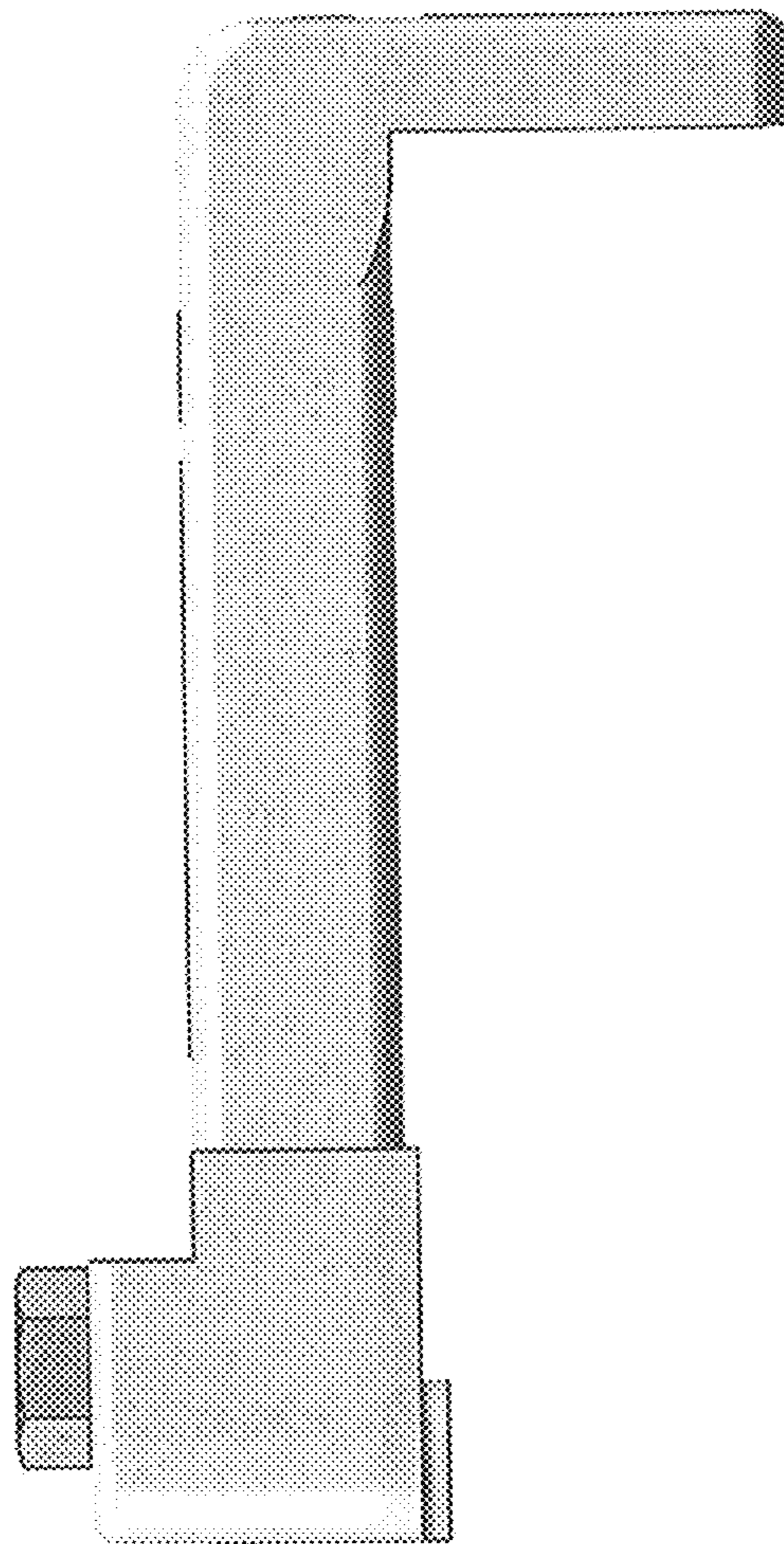


fig. 5

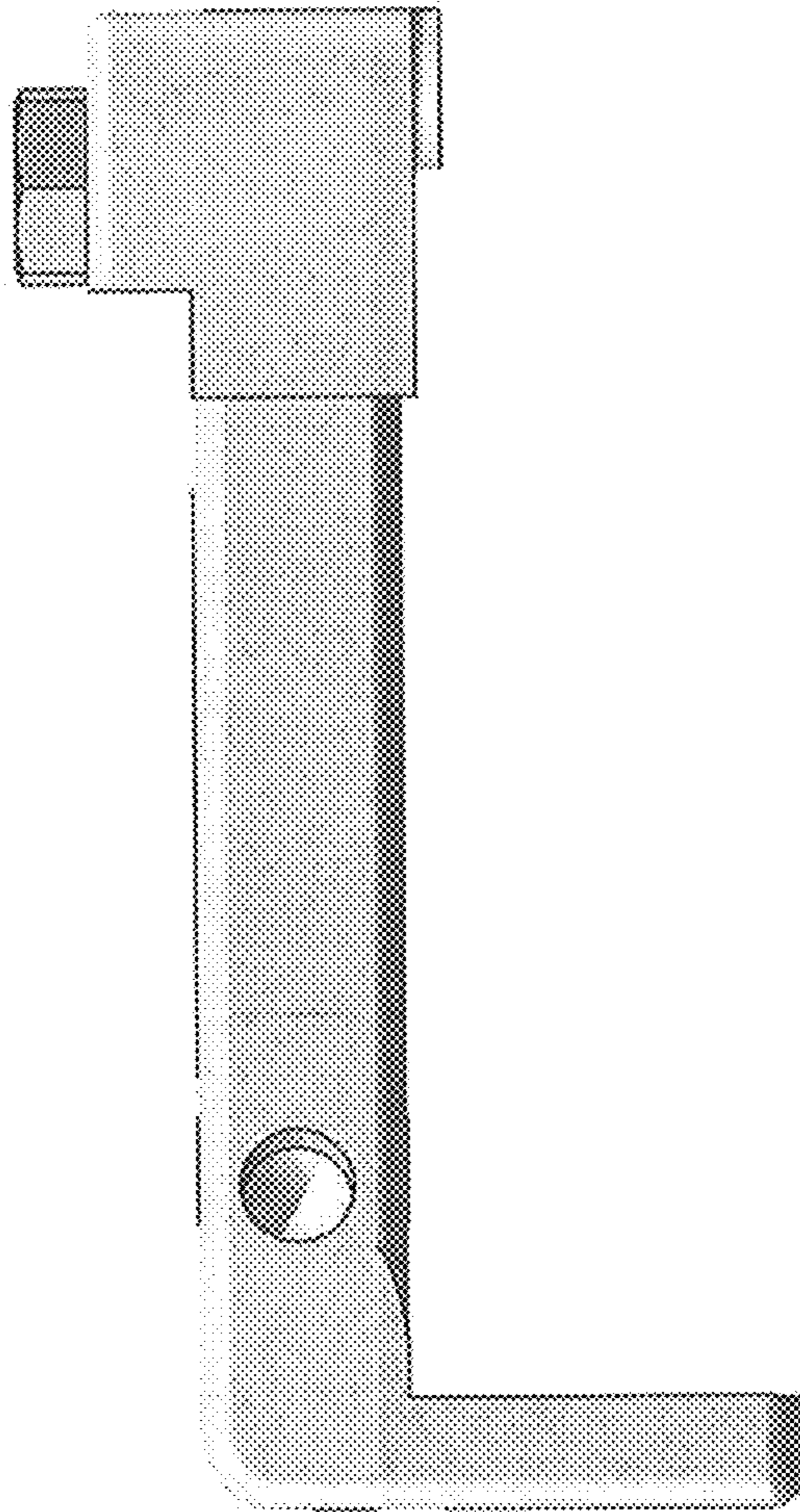


fig. 6

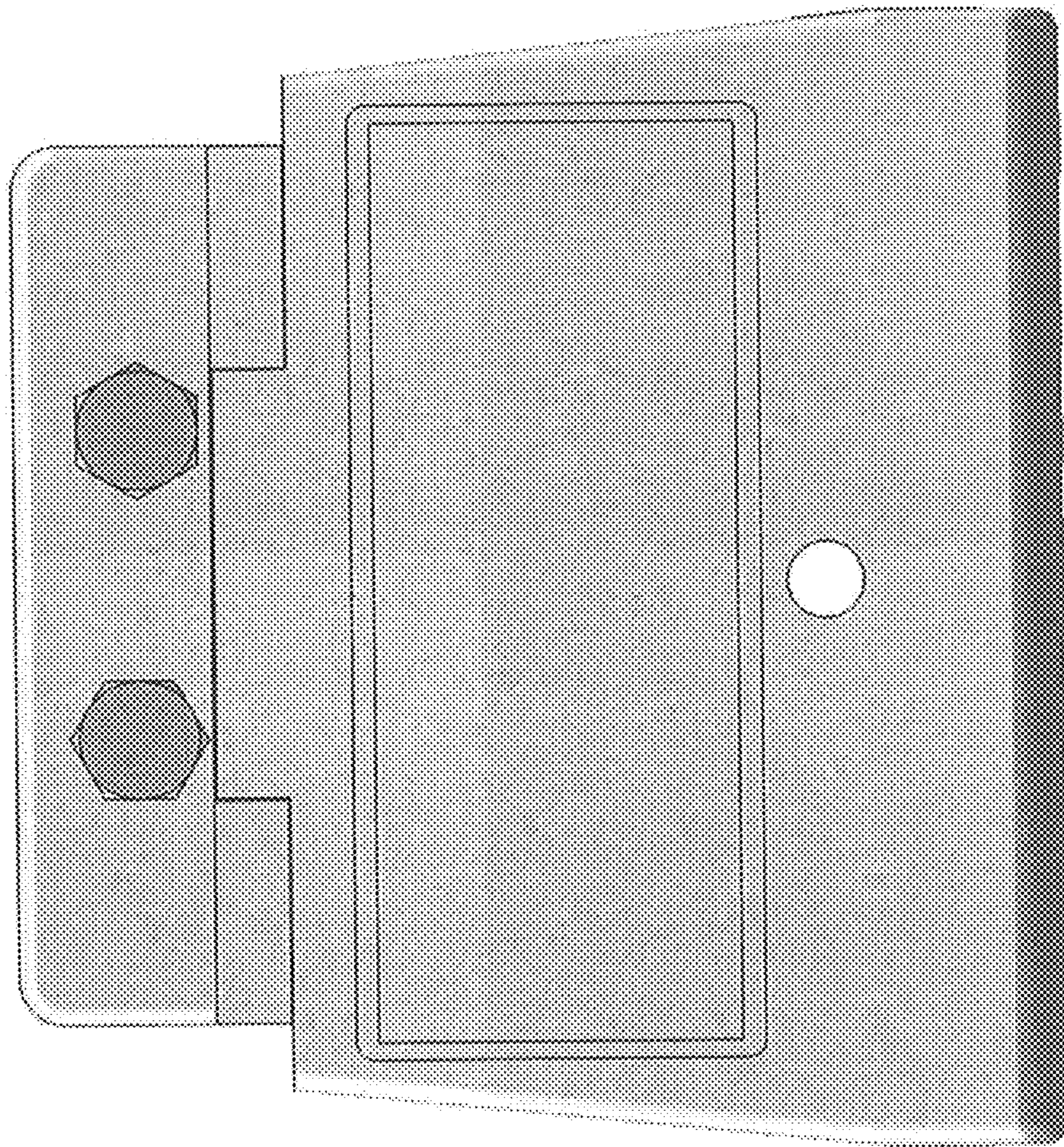


fig. 7