



US00D775930S

(12) **United States Design Patent**
Jung

(10) **Patent No.:** **US D775,930 S**

(45) **Date of Patent:** **** Jan. 10, 2017**

(54) **KEY**
(71) Applicant: **Jae Keun Jung**, Seoul (KR)
(72) Inventor: **Jae Keun Jung**, Seoul (KR)
(**) Term: **15 Years**
(21) Appl. No.: **29/548,028**
(22) Filed: **Dec. 9, 2015**

(30) **Foreign Application Priority Data**

Jun. 10, 2015 (KR) 30-2015-0029031

(51) **LOC (10) Cl.** **08-07**

(52) **U.S. Cl.**
USPC **D8/348; D8/347**

(58) **Field of Classification Search**
USPC D8/347, 348; 70/51, 336, 344, 348, 391,
70/393, 402, 408, 416, 429, 430, 460,
70/447, 257, 278.2, 278.3, 413, 456 R,
70/25, 2
CPC E05B 19/00; E05B 19/04; E05B 19/20;
E05B 13/00; E05B 11/00; E05B 27/00
See application file for complete search history.

(56) **References Cited**

U.S. PATENT DOCUMENTS

5,517,840 A * 5/1996 Haggstrom E05B 19/00
70/495
5,582,050 A * 12/1996 Haggstrom B23C 3/35
409/132

5,768,925 A * 6/1998 Ozawa E05B 19/04
70/278.2
6,883,354 B1 * 4/2005 Yu E05B 37/02
70/18
6,968,717 B2 * 11/2005 Suzuki E05B 29/004
70/367
7,667,458 B2 * 2/2010 Yoo G01R 33/56341
324/308
D765,490 S * 9/2016 Nicoara D8/347

* cited by examiner

Primary Examiner — Prabhakar Deshmukh

(74) *Attorney, Agent, or Firm* — Antonio Ha & U.S.
Patent, LLC

(57) **CLAIM**

The ornamental design for a key, as shown and described.

DESCRIPTION

FIG. 1 is perspective view of a key showing my new design;
FIG. 2 is a front elevational view thereof;
FIG. 3 is a rear elevational view thereof;
FIG. 4 is a left side elevational view thereof;
FIG. 5 is a right side elevational view thereof;
FIG. 6 is a top plan view thereof;
FIG. 7 is a bottom plan view thereof;
FIG. 8 is a perspective view thereof, wherein the two parts
of the key are separated for clarity; and,
FIG. 9 is a perspective view thereof, wherein the cap of the
key is uncovered for clarity.

1 Claim, 7 Drawing Sheets

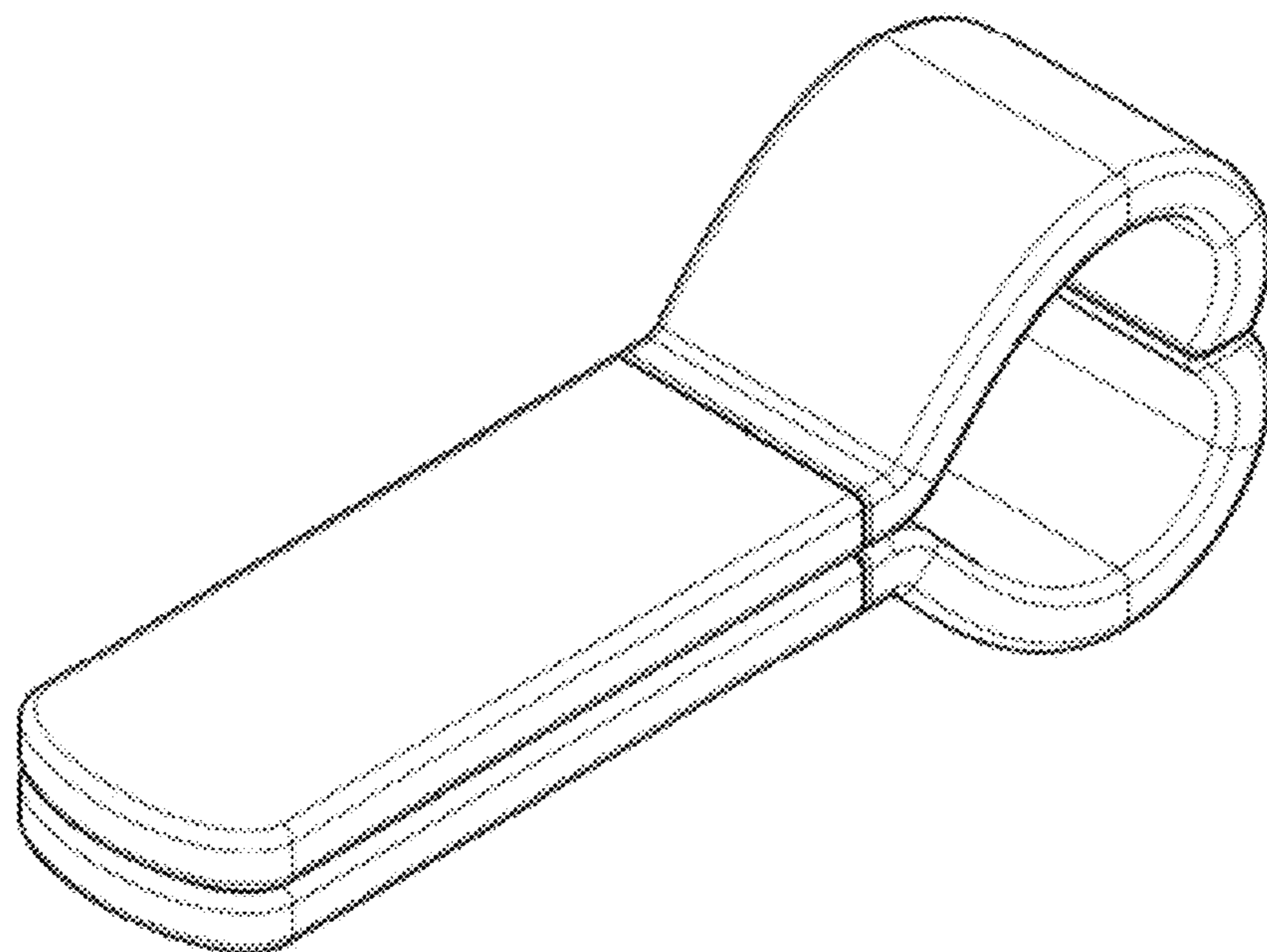


Fig. 1

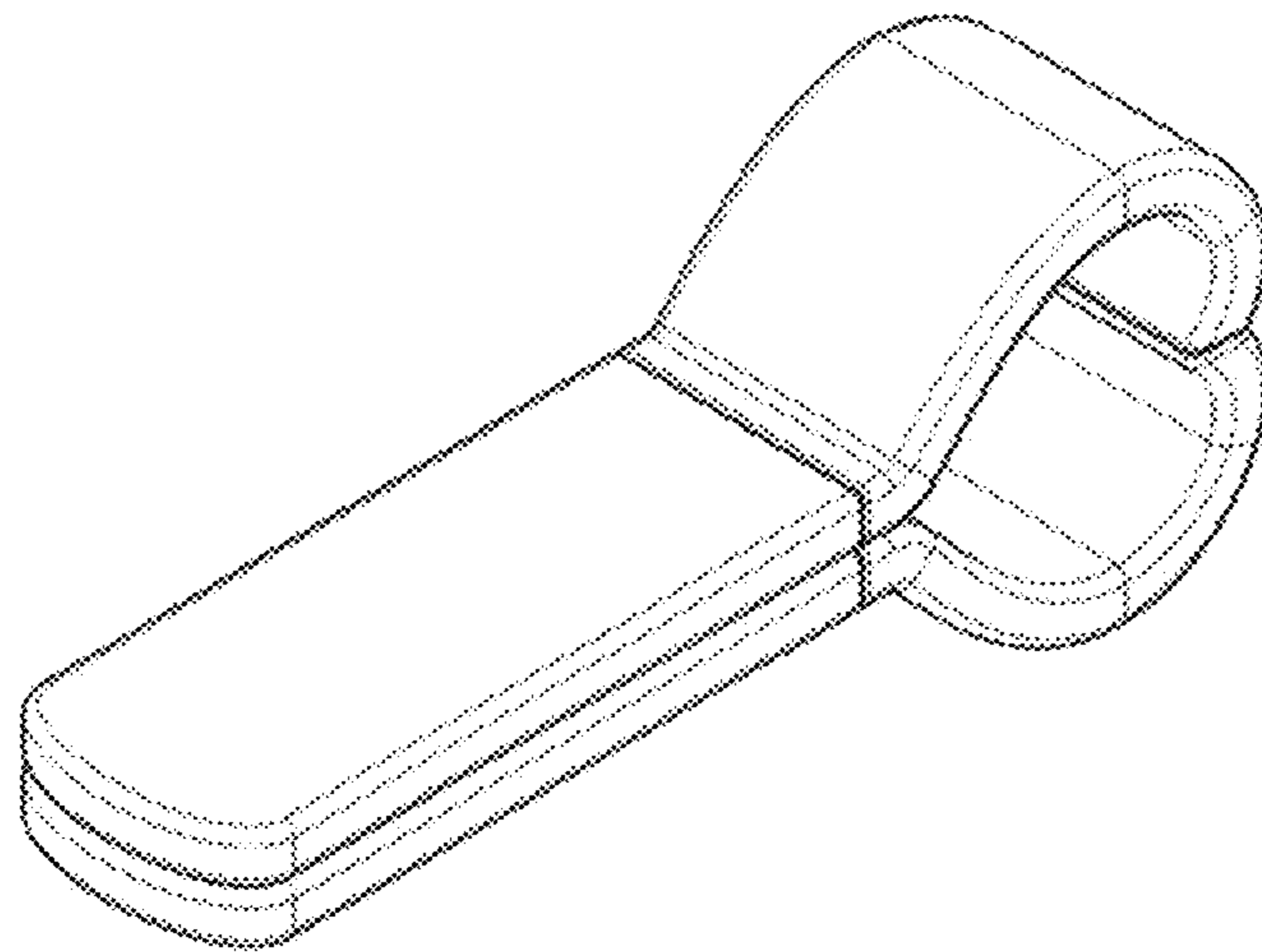


Fig. 2

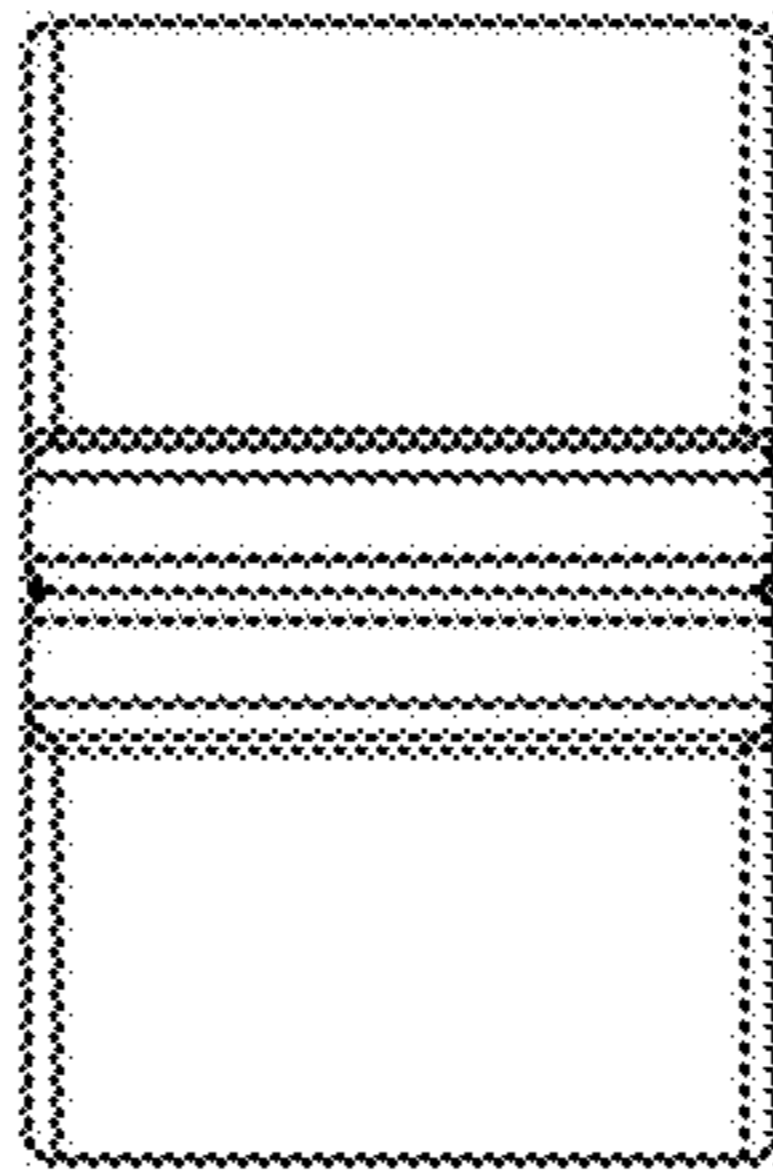


Fig. 3

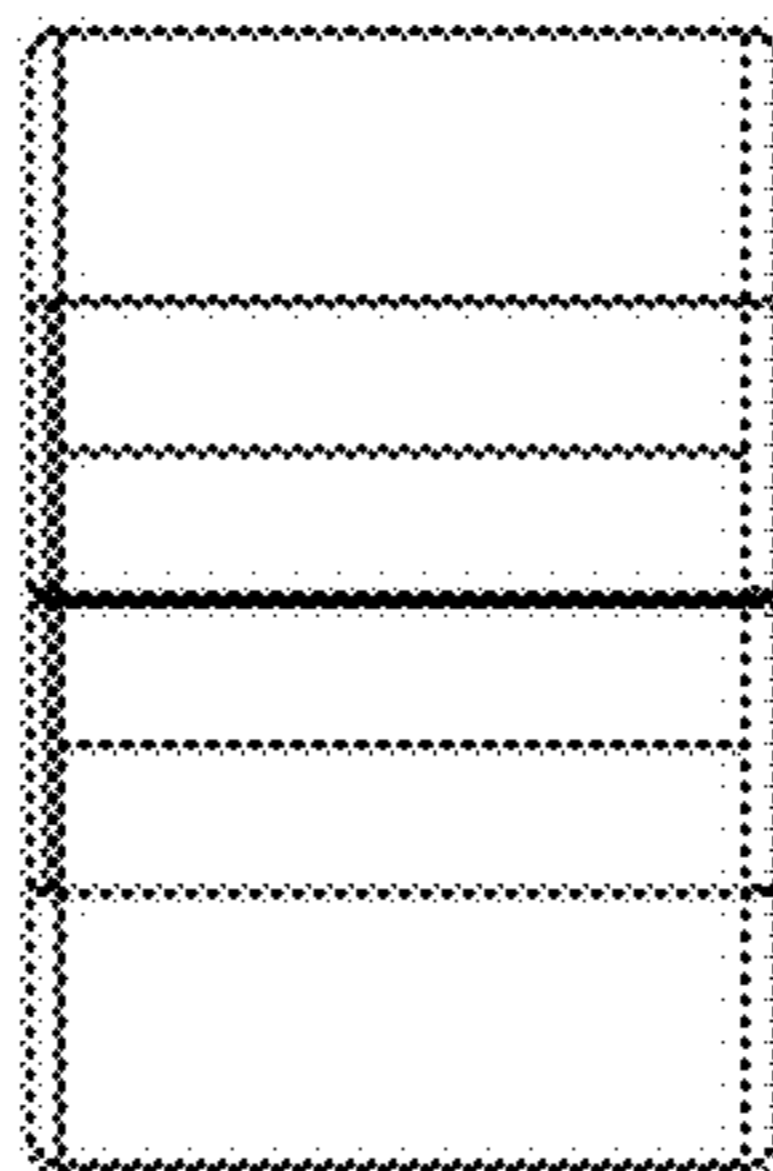


Fig. 4

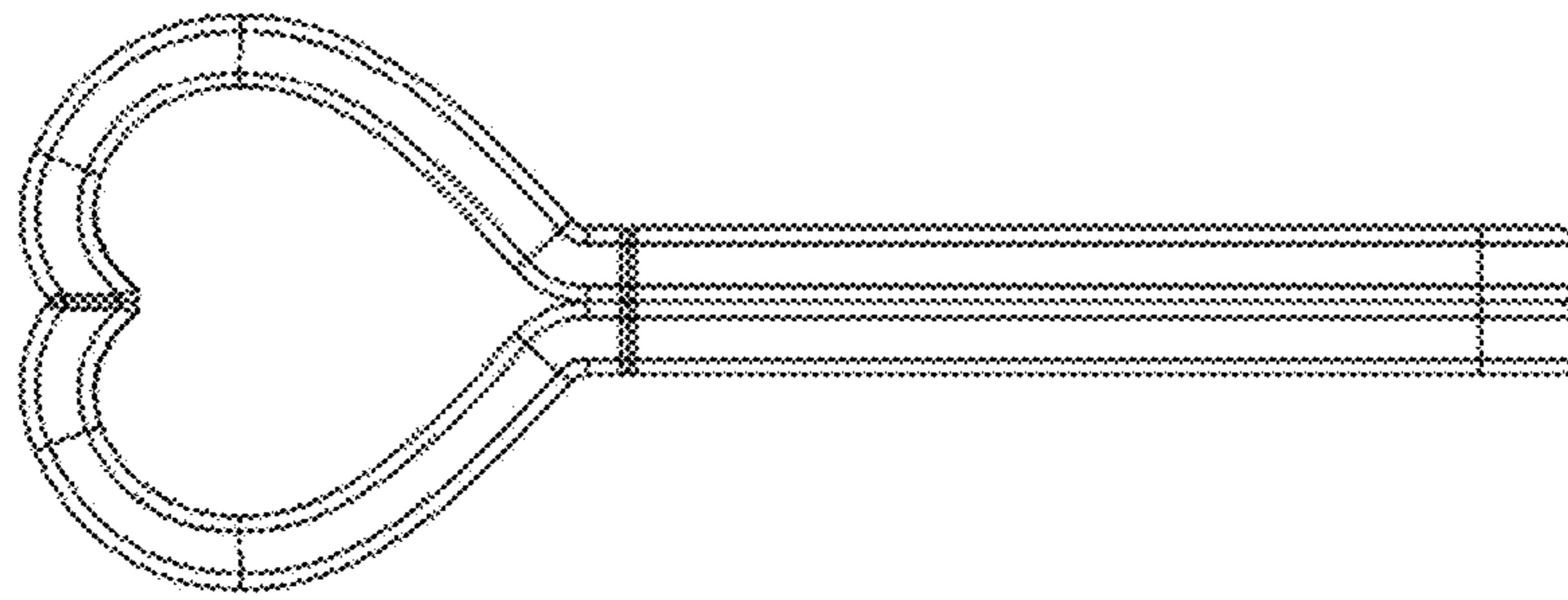


Fig. 5

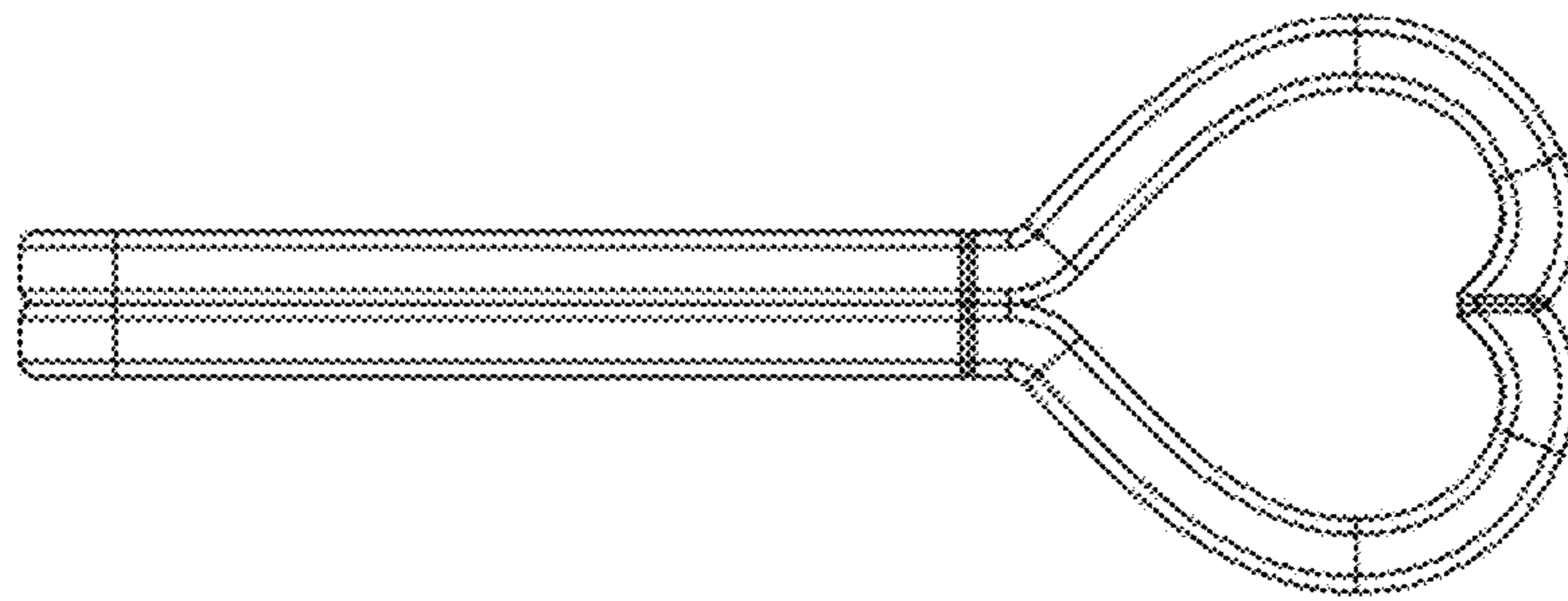


Fig. 6

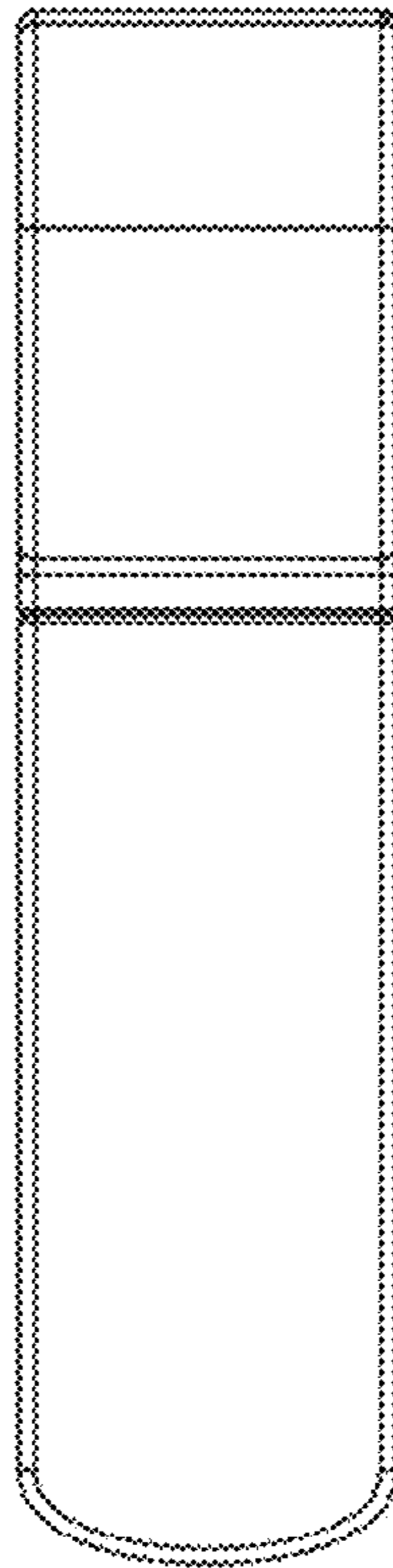


Fig. 7

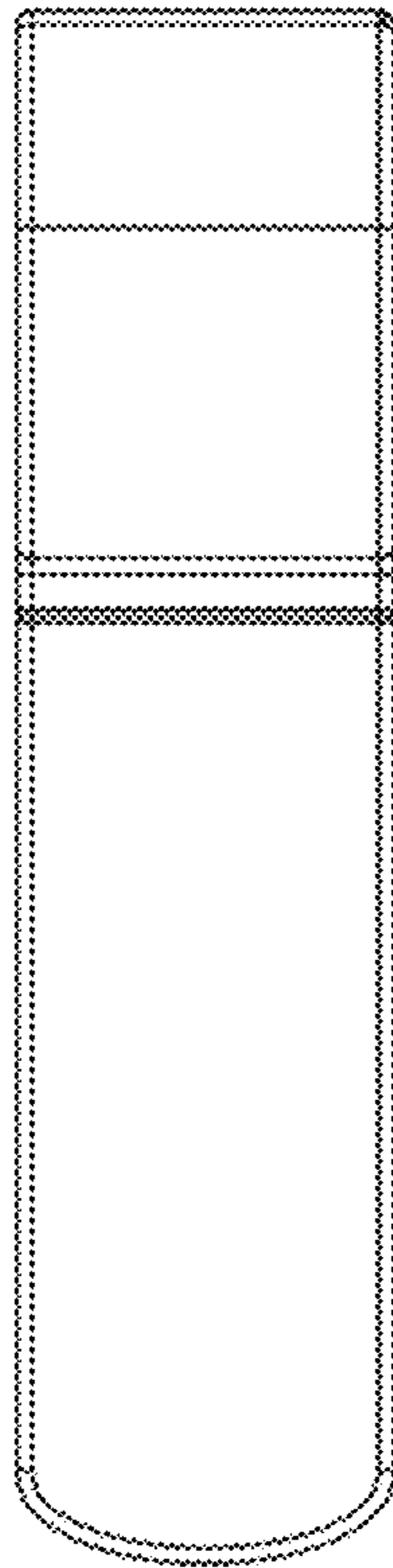


Fig. 8

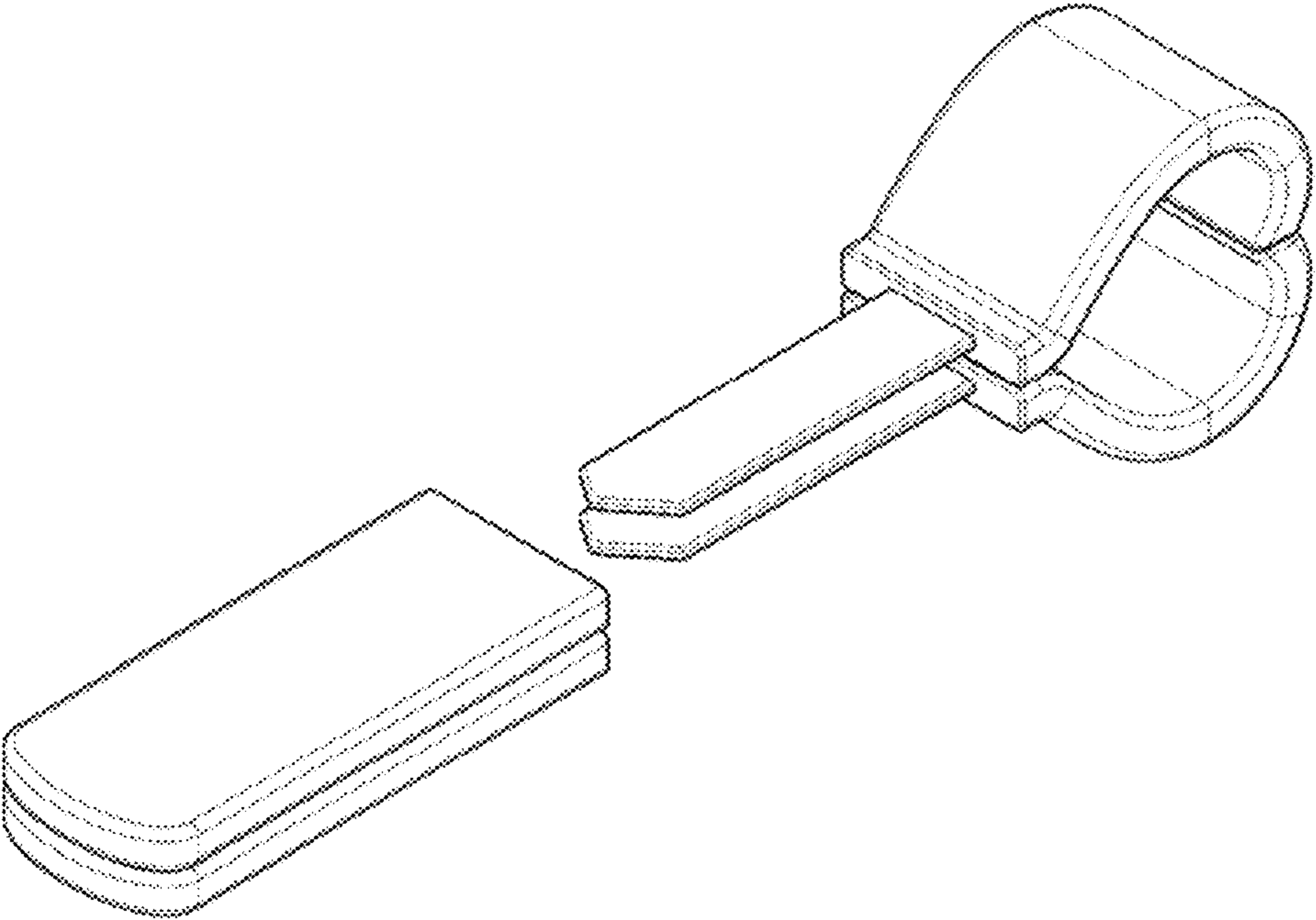


Fig. 9

