



US00D775929S

(12) **United States Design Patent**
Liau

(10) **Patent No.:** **US D775,929 S**
(45) **Date of Patent:** **** Jan. 10, 2017**

(54) **HOOK TYPE SASH LOCK**
(71) Applicant: **Wan Lai Liau**, Taipei (TW)
(72) Inventor: **Wan Lai Liau**, Taipei (TW)
(**) Term: **15 Years**
(21) Appl. No.: **29/544,253**
(22) Filed: **Nov. 2, 2015**
(51) **LOC (10) Cl.** **08-07**
(52) **U.S. Cl.**
USPC **D8/337**; D8/331
(58) **Field of Classification Search**
USPC D8/330, 331, 308, 346, 336-339; 70/89,
70/90; 292/240-242, 209, 210, 341.12,
292/341.13, DIG. 20, DIG. 47, DIG. 40,
292/DIG. 55
CPC E05C 3/00; E05C 3/02; E05C 3/04;
E05C 3/14; E05C 7/00; E05B 9/02; E05B
9/08; E05B 65/08; E05B 15/00
See application file for complete search history.

6,634,683 B1 * 10/2003 Brannan E05B 9/082
292/241
6,983,963 B2 * 1/2006 Eslick E05B 13/002
292/209
D536,950 S * 2/2007 Liang D8/331
7,322,620 B1 * 1/2008 Lawrence E05B 17/208
292/240
D583,216 S * 12/2008 Wolf D8/331
D687,288 S * 8/2013 Lawrence D8/331
8,967,684 B2 * 3/2015 Phelps E05B 15/0006
292/240

* cited by examiner

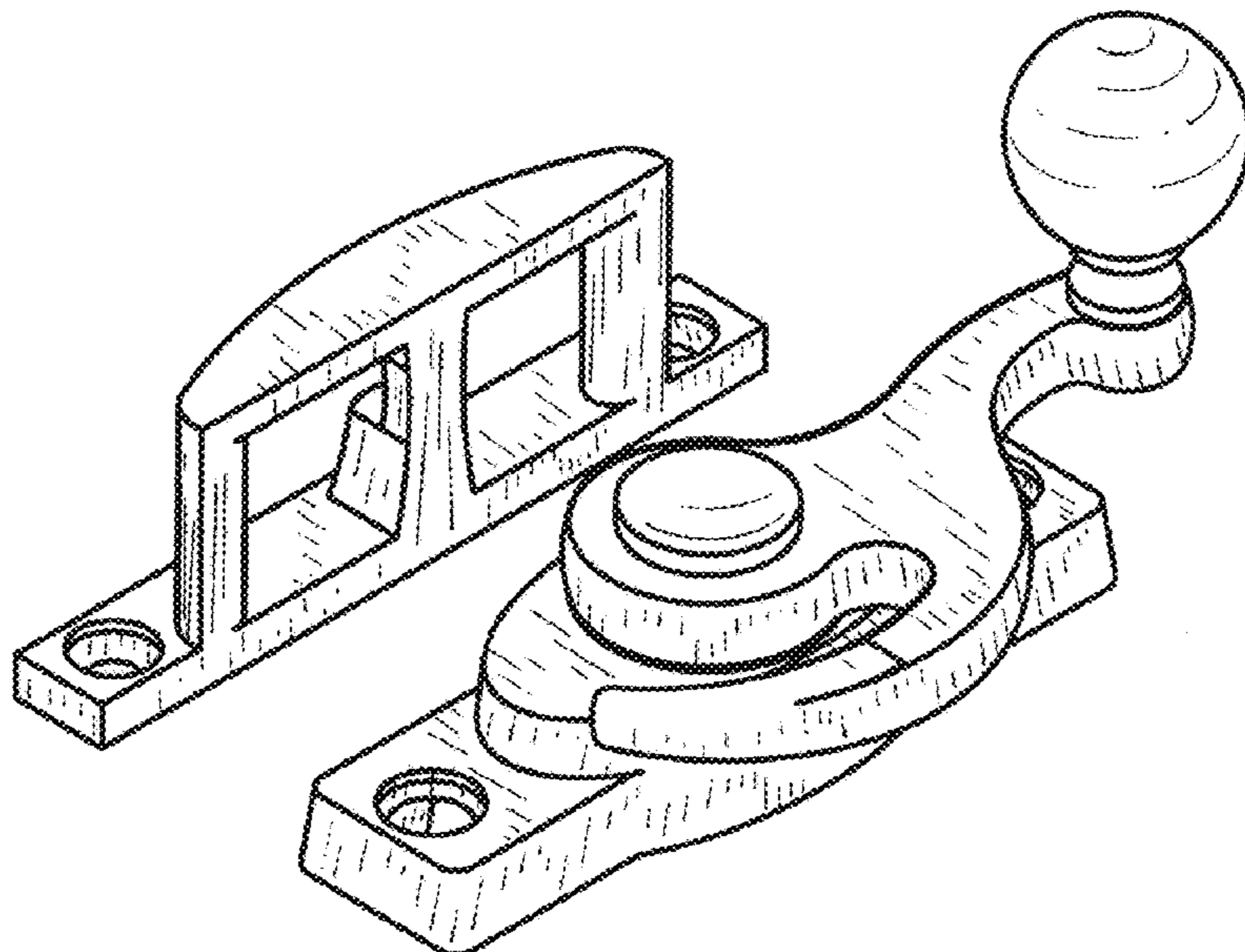
Primary Examiner — Prabhakar Deshmukh
(74) *Attorney, Agent, or Firm* — Jackson IPG PLLC;
Demian K. Jackson

(56) **References Cited**
U.S. PATENT DOCUMENTS
4,063,766 A * 12/1977 Granberg E05C 3/046
292/242
D293,548 S * 1/1988 Bates D8/337
D380,957 S * 7/1997 Evans D8/337
D418,737 S * 1/2000 Libby D8/337
6,478,347 B1 * 11/2002 Timothy E05C 3/046
292/241
6,523,868 B1 * 2/2003 Timothy E05C 3/046
292/202

(57) **CLAIM**
The ornamental design for a hook type sash lock, as shown and described.

DESCRIPTION
FIG. 1 is a top front and left side perspective view of hook type sash lock showing my new design;
FIG. 2 is a front elevational view thereof;
FIG. 3 is a rear elevational view thereof;
FIG. 4 is a left side elevational view thereof;
FIG. 5 is a right side elevational view thereof;
FIG. 6 is a top plan view thereof; and,
FIG. 7 is a bottom plan view thereof.
Those portions of the illustrated design illustrated by broken lines form no part of the claimed design.

1 Claim, 4 Drawing Sheets



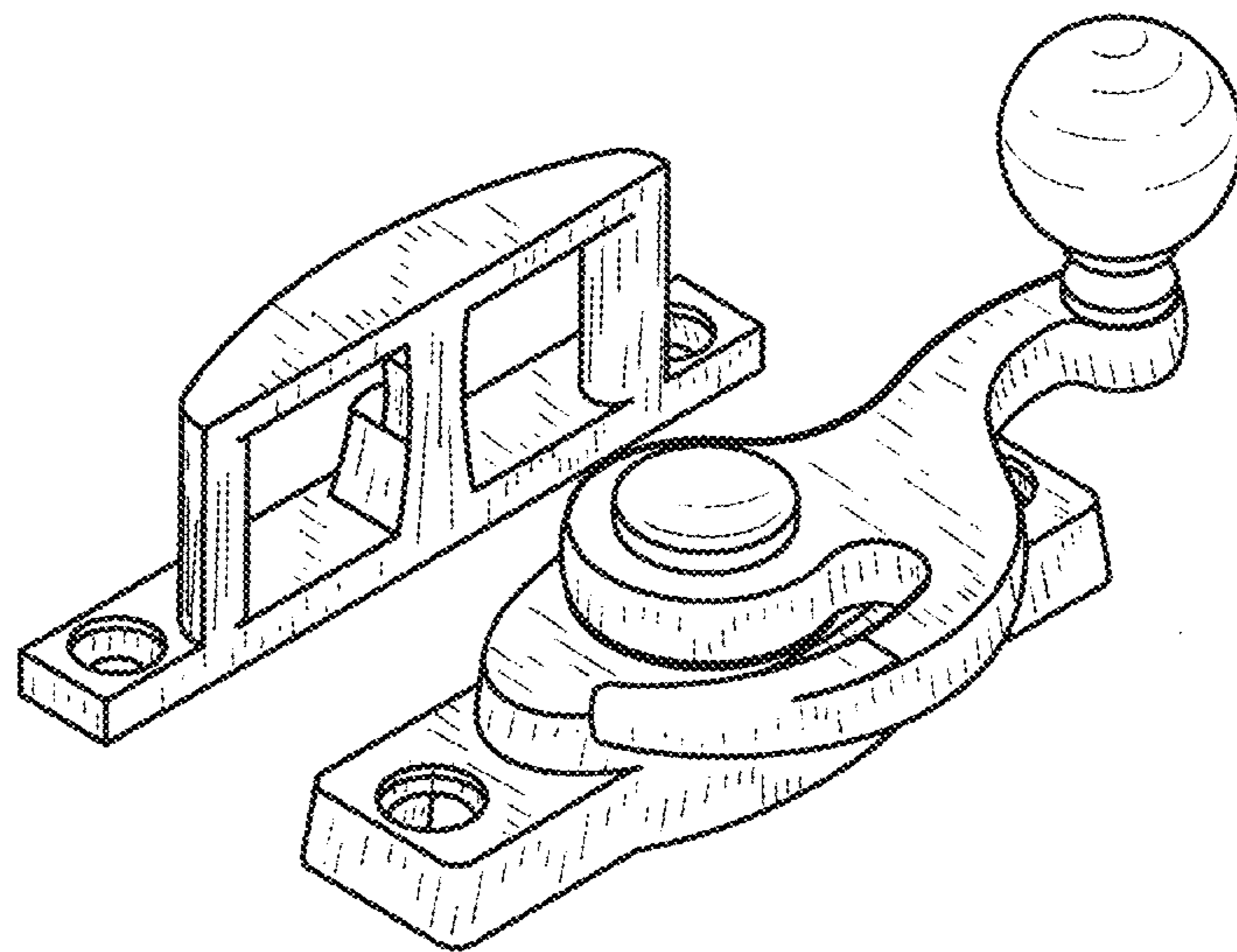


Fig. 1

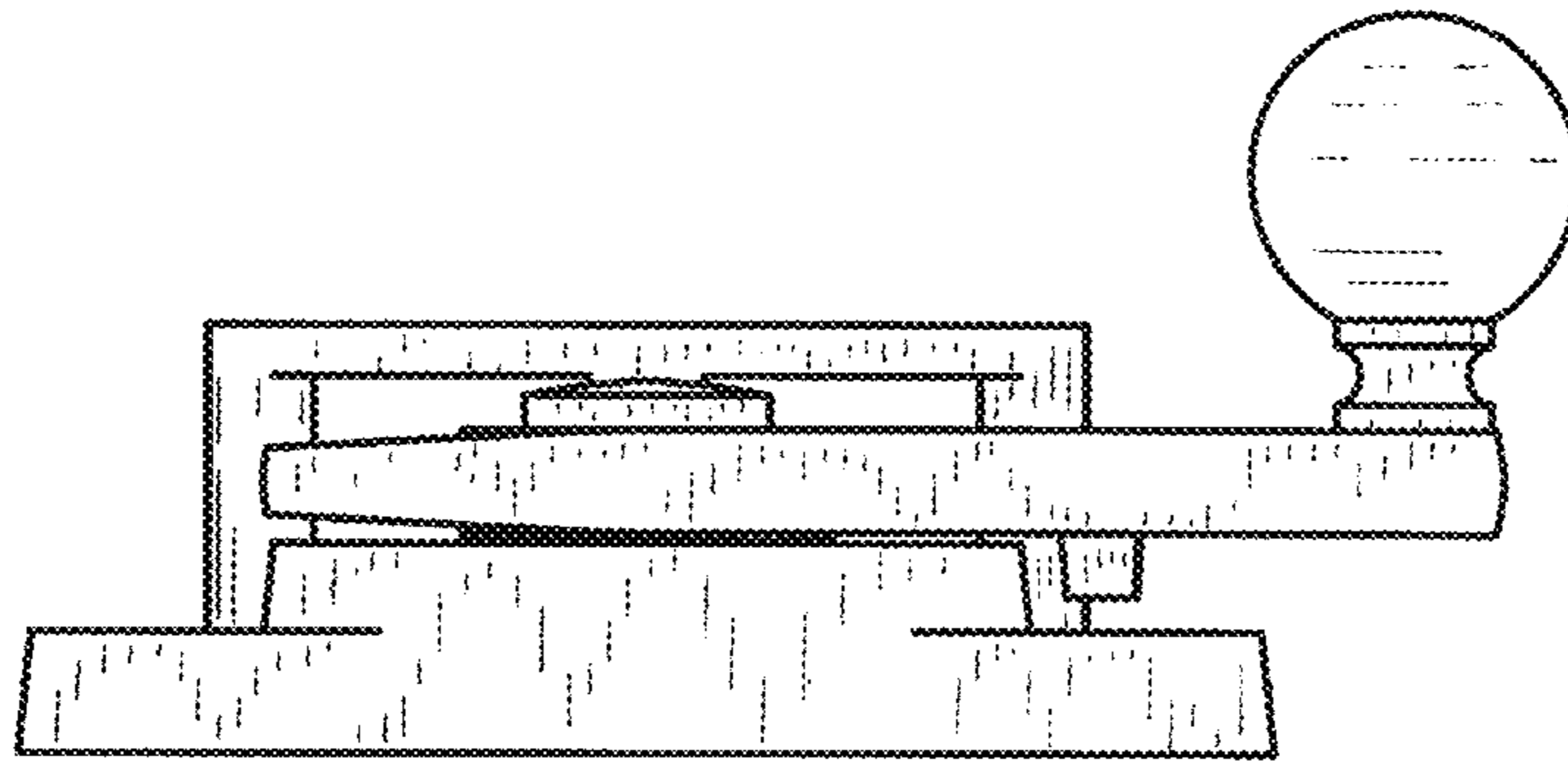


Fig. 2

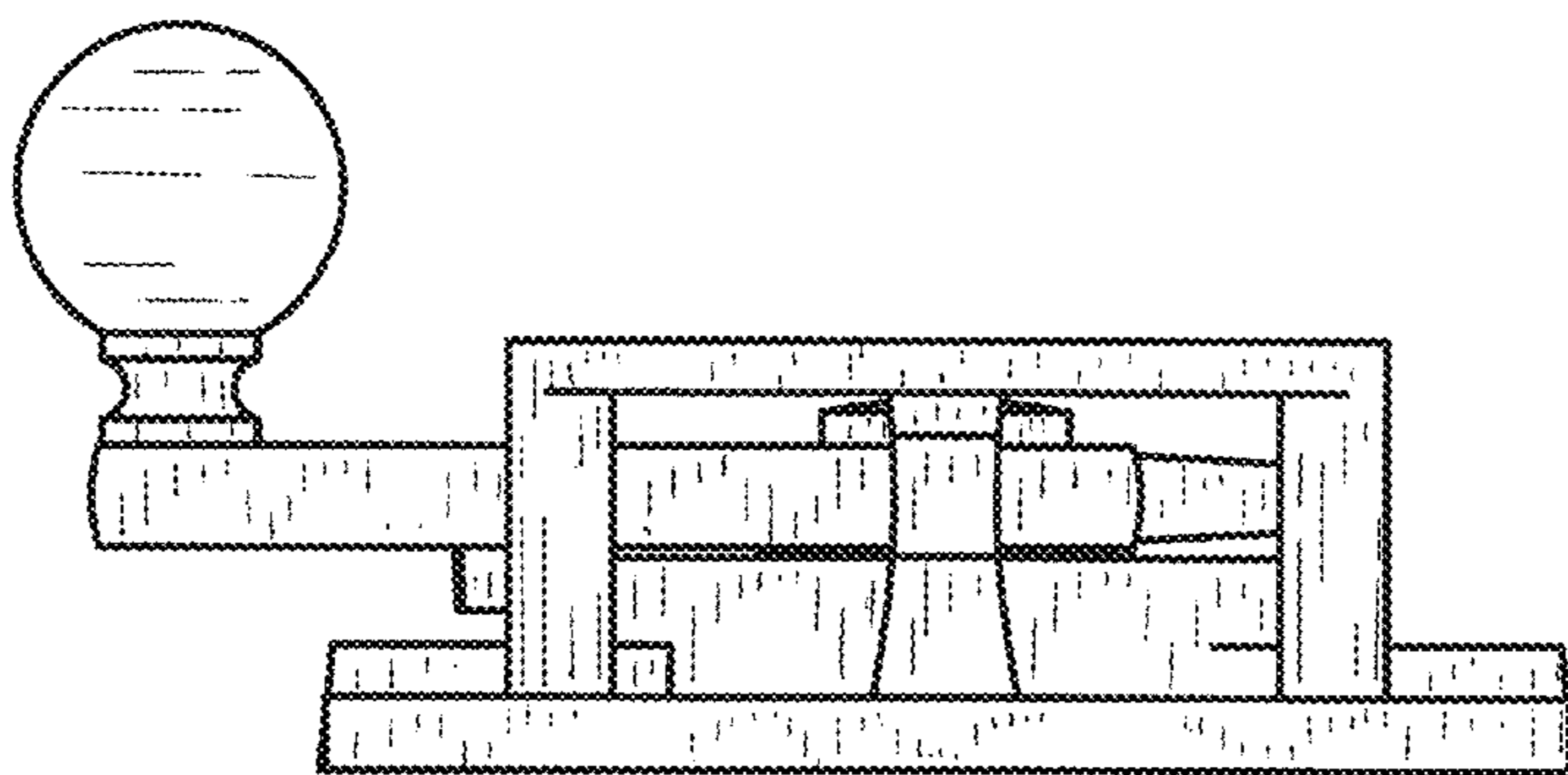


Fig. 3

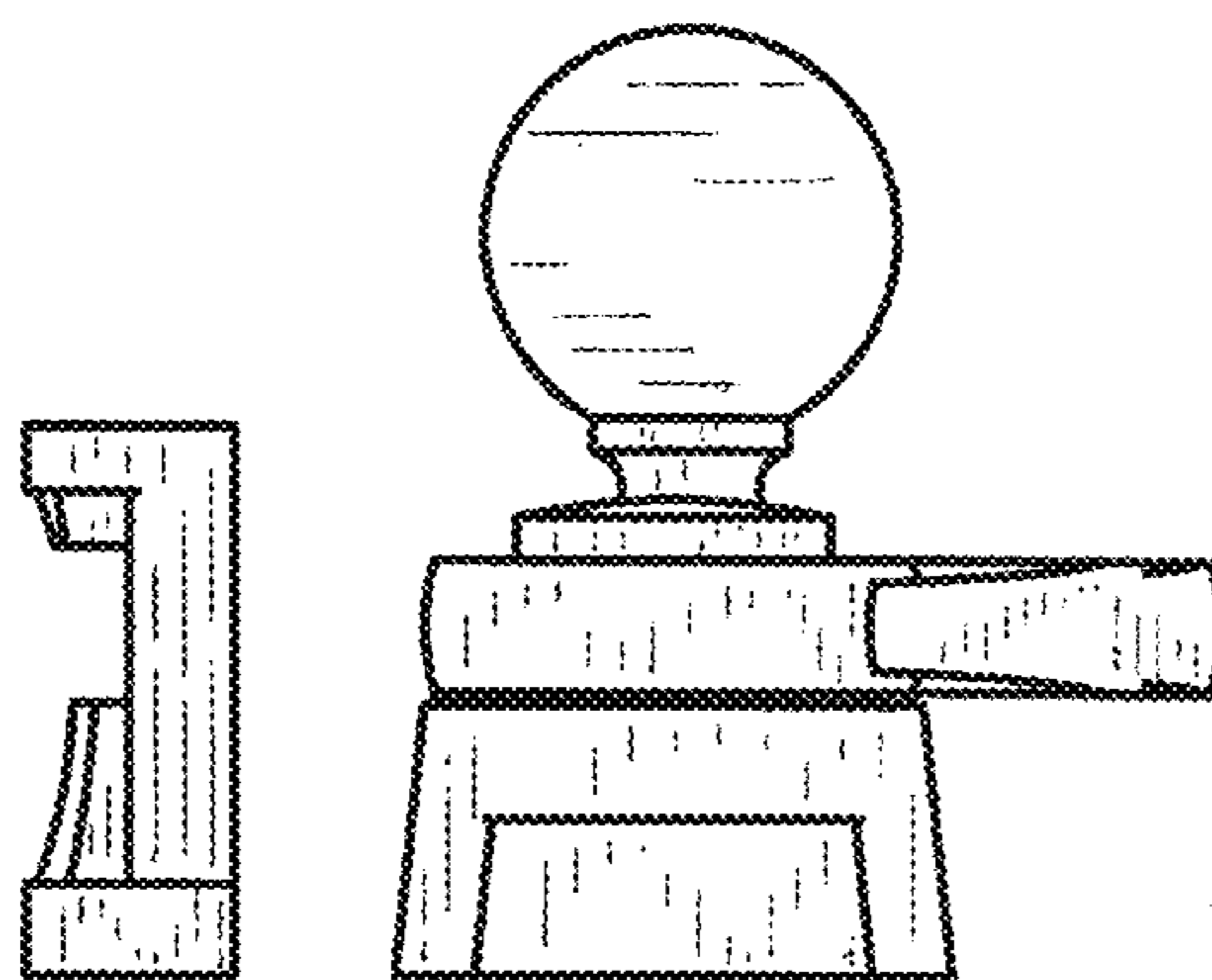


Fig. 4

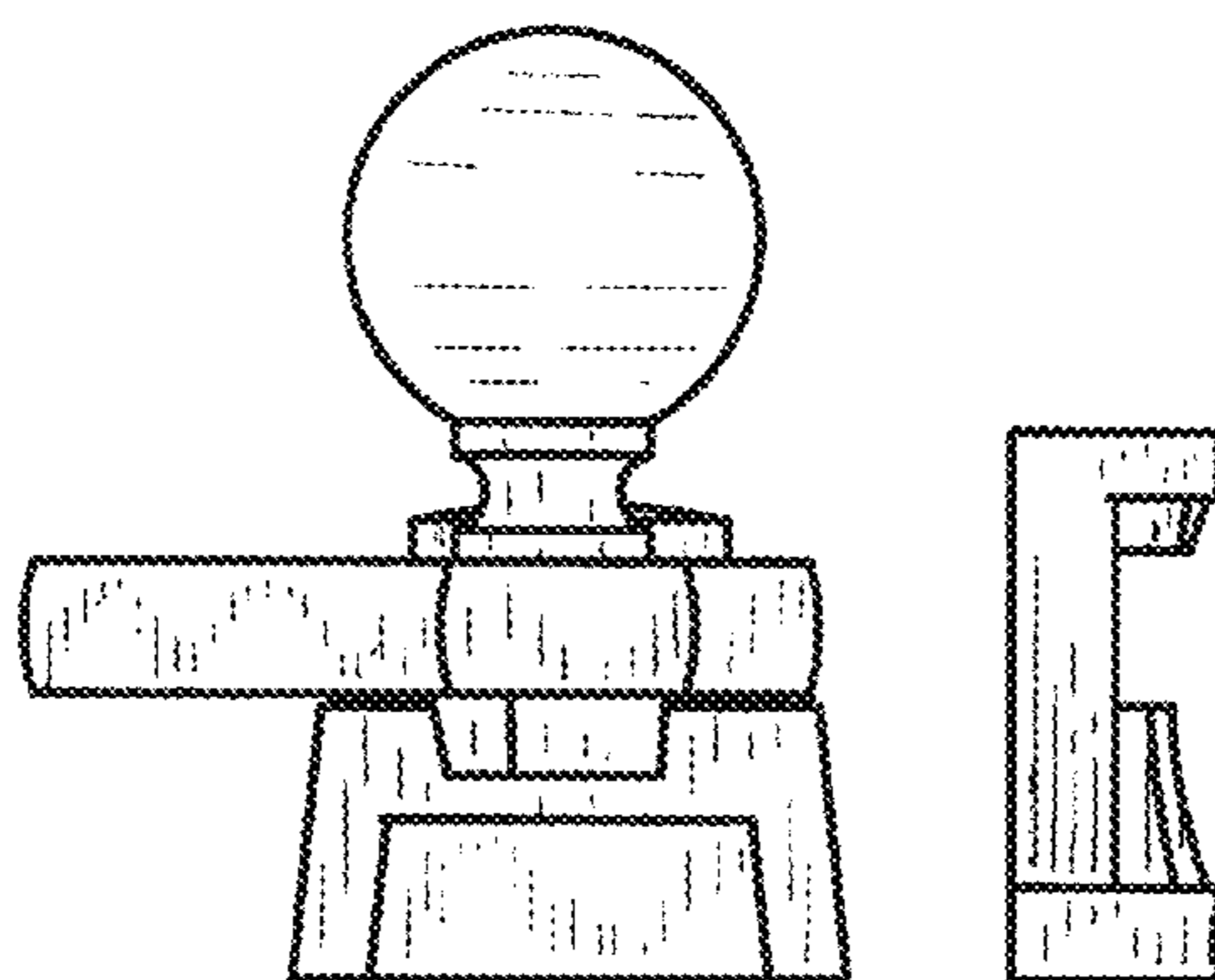


Fig. 5

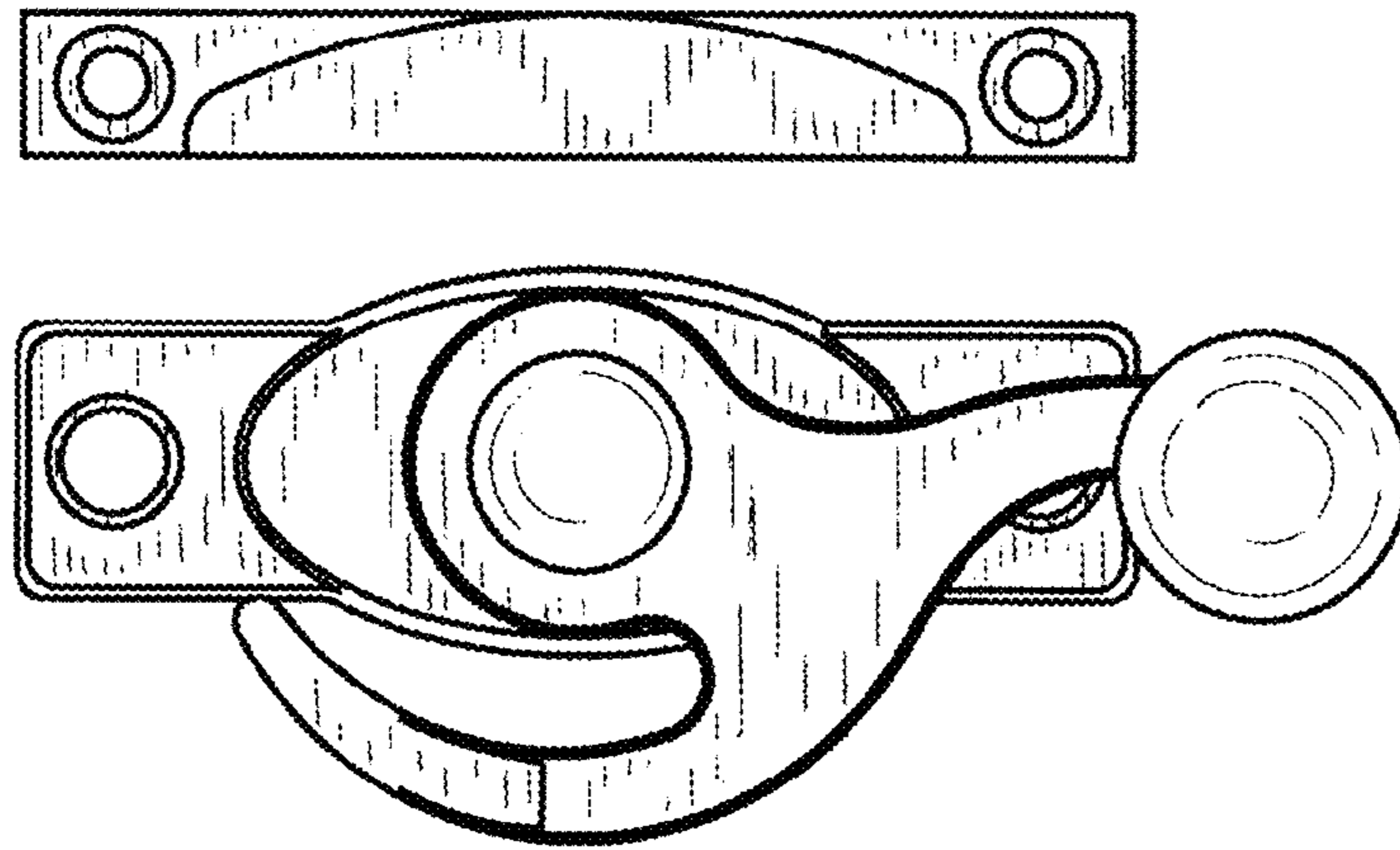


Fig. 6

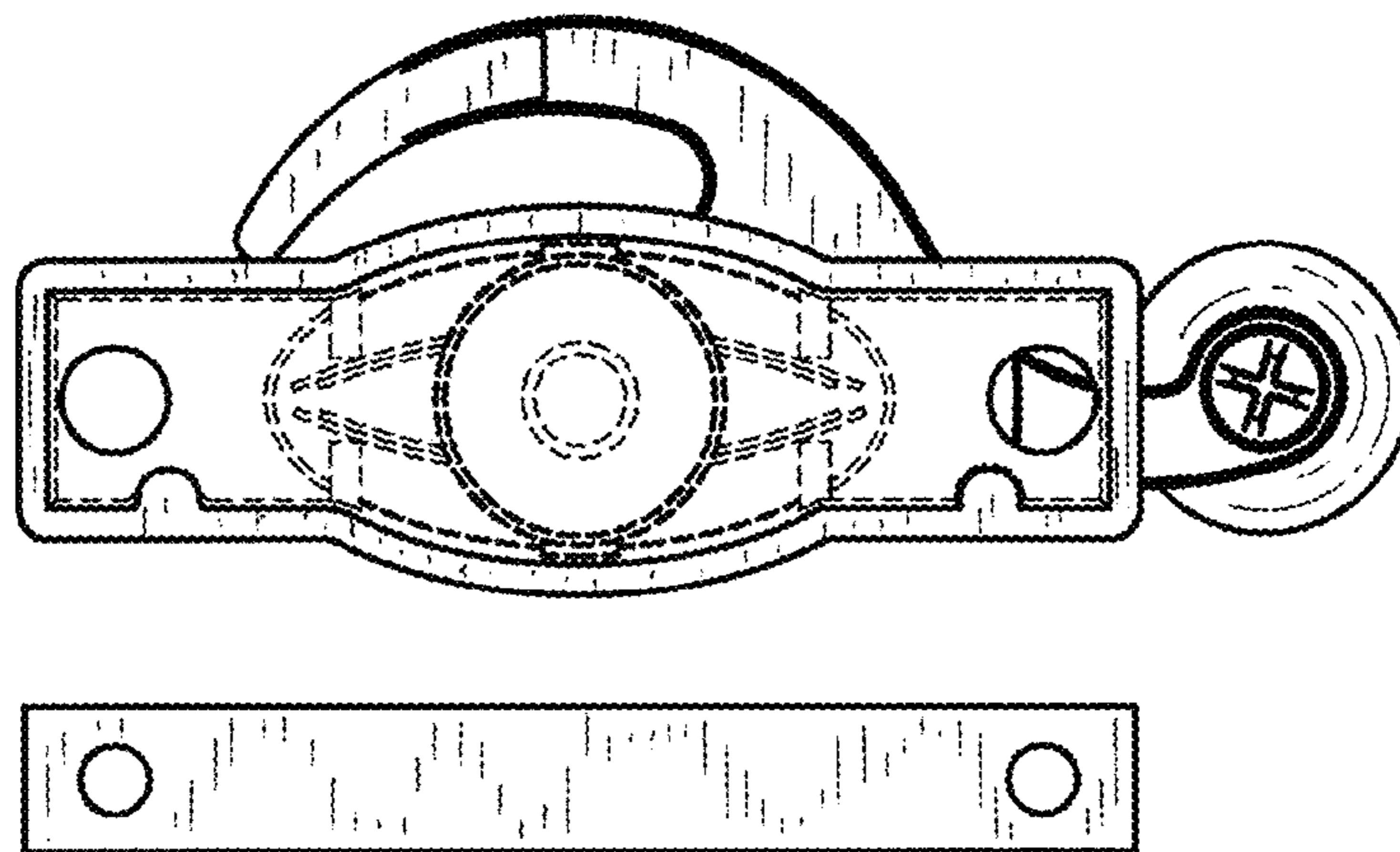


Fig. 7