



US00D775927S

(12) **United States Design Patent** (10) **Patent No.:** **US D775,927 S**
Chen (45) **Date of Patent:** **** Jan. 10, 2017**

(54) **REINFORCED DOOR HANDLE**
(71) Applicant: **Wen Chen**, Parkland, FL (US)
(72) Inventor: **Wen Chen**, Parkland, FL (US)
(**) Term: **14 Years**
(21) Appl. No.: **29/515,333**
(22) Filed: **Jan. 22, 2015**
(51) **LOC (10) Cl.** **08-06**
(52) **U.S. Cl.**
USPC **D8/313**
(58) **Field of Classification Search**
USPC D8/301, 302, 313, 315, 316, 318, 319,
D8/320, 331; 16/110.1, 402, 412, 415,
16/416, 443, 444; 292/336.3, 347, 348,
DIG. 23, 292/DIG. 53; 70/207, 208, 209,
70/224, 455; D7/393, 394
CPC Y10T 16/44; Y10T 292/57; Y10T 70/5761;
Y10T 70/5832; Y10T 15/458; Y10T
292/1047; Y10T 16/513; Y10T 70/5889;
Y10T 16/498; Y10T 70/5792; Y10T
16/476; Y10T 16/86; Y10T 70/7062;
Y10T 70/8568; Y10T 16/4713; Y10T
70/5819; Y10T 70/5155; Y10T 74/20732;
Y10T 292/097; Y10T 292/1059; Y10T
70/7113; Y10T 70/7305; Y10T 292/1014;
Y10T 292/1052; Y10S 292/23; Y10S
292/53; Y10S 292/31; Y10S
292/64; Y10S 70/31
See application file for complete search history.

(56) **References Cited**
U.S. PATENT DOCUMENTS
D18,978 S * 4/1889 Coffin D8/313

664,181 A * 12/1900 Shepard A47B 95/02
16/416
D153,835 S * 5/1949 Sundberg et al. D8/313
D169,532 S * 5/1953 Deadrick D8/313
D212,686 S * 11/1968 Fowler D8/313
D440,481 S * 4/2001 Bacon D8/302
D501,785 S * 2/2005 Mogus D8/313
D508,197 S * 8/2005 Baldwin D8/313
D573,002 S * 7/2008 Mattson D8/313
D589,325 S * 3/2009 Mattson D8/313
D684,840 S * 6/2013 Manseder D8/330

* cited by examiner

Primary Examiner — Derrick Holland
Assistant Examiner — Lauren Calve

(57) **CLAIM**

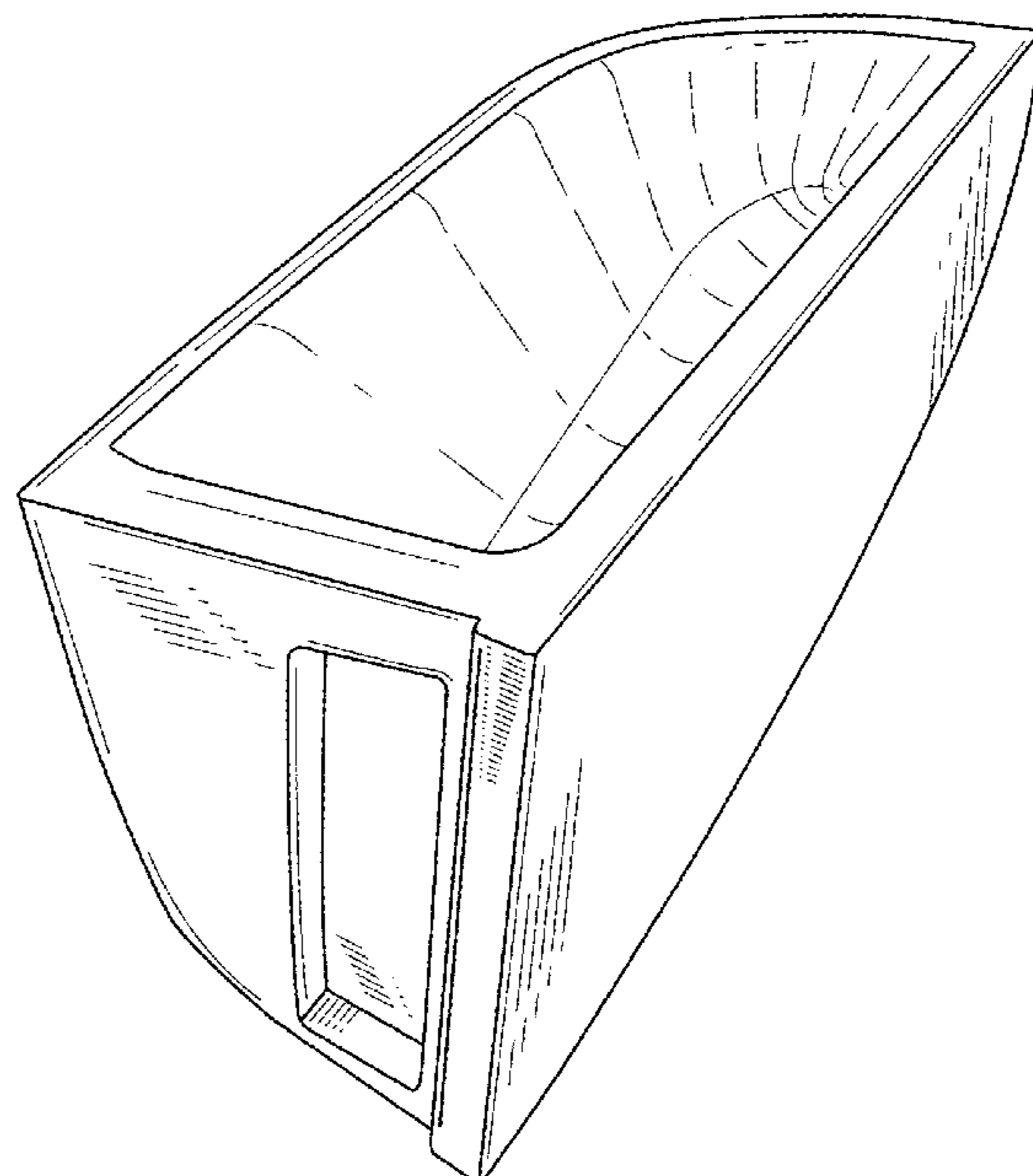
The ornamental design for a reinforced door handle, as shown and described.

DESCRIPTION

FIG. 1 is a perspective view of a reinforced door handle; FIG. 2 is a front elevational view thereof; FIG. 3 is a rear elevational view thereof; FIG. 4 is a left side elevational view thereof; FIG. 5 is a right side elevational view thereof; FIG. 6 is a bottom plan view thereof; FIG. 7 is a top plan view thereof; and, FIG. 8 is a sectional perspective view thereof, taken along lines 8-8 of FIG. 7.

The broken lines shown to represent the sectional view form no part of the claimed design.

1 Claim, 8 Drawing Sheets



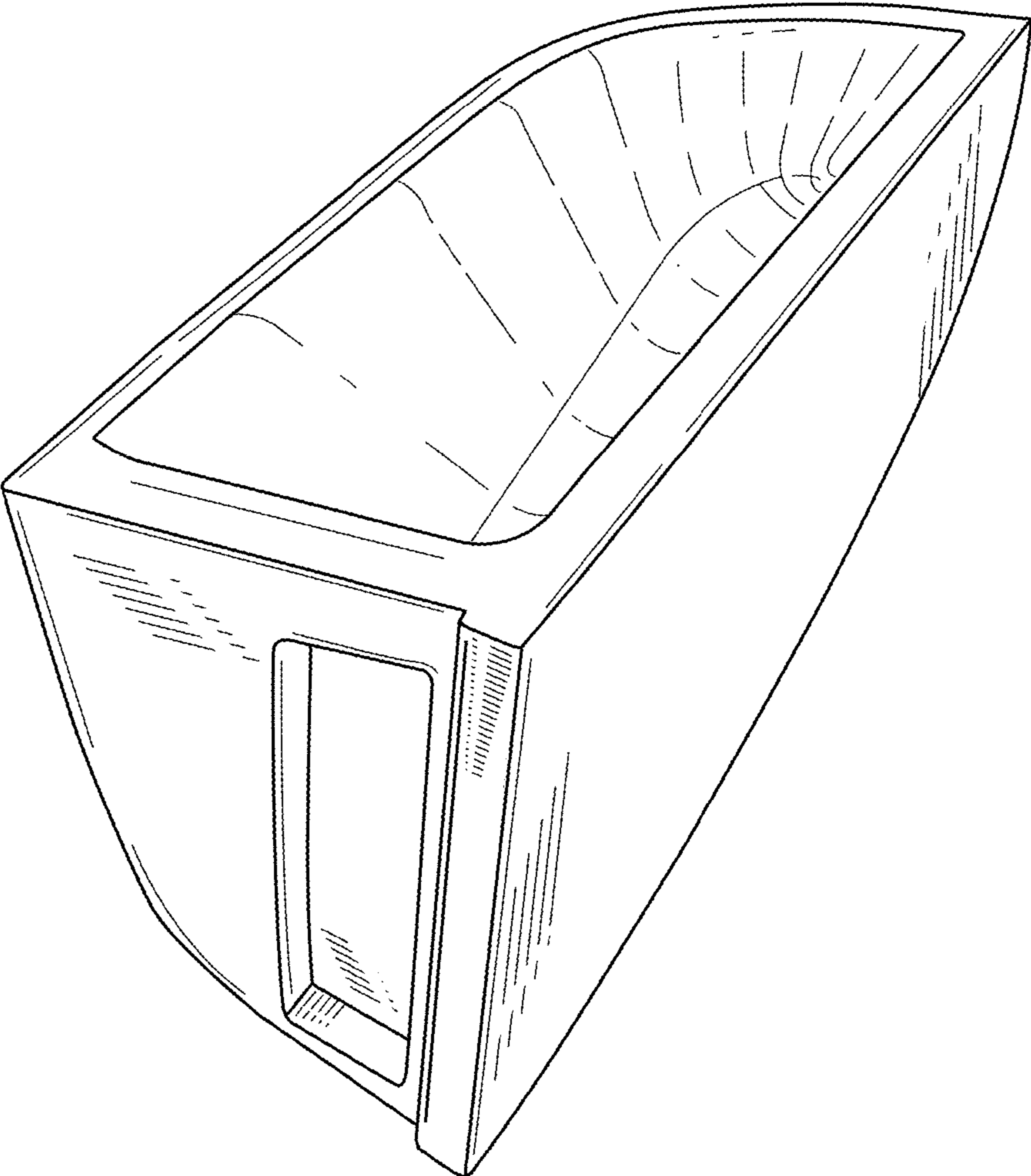


FIG. 1

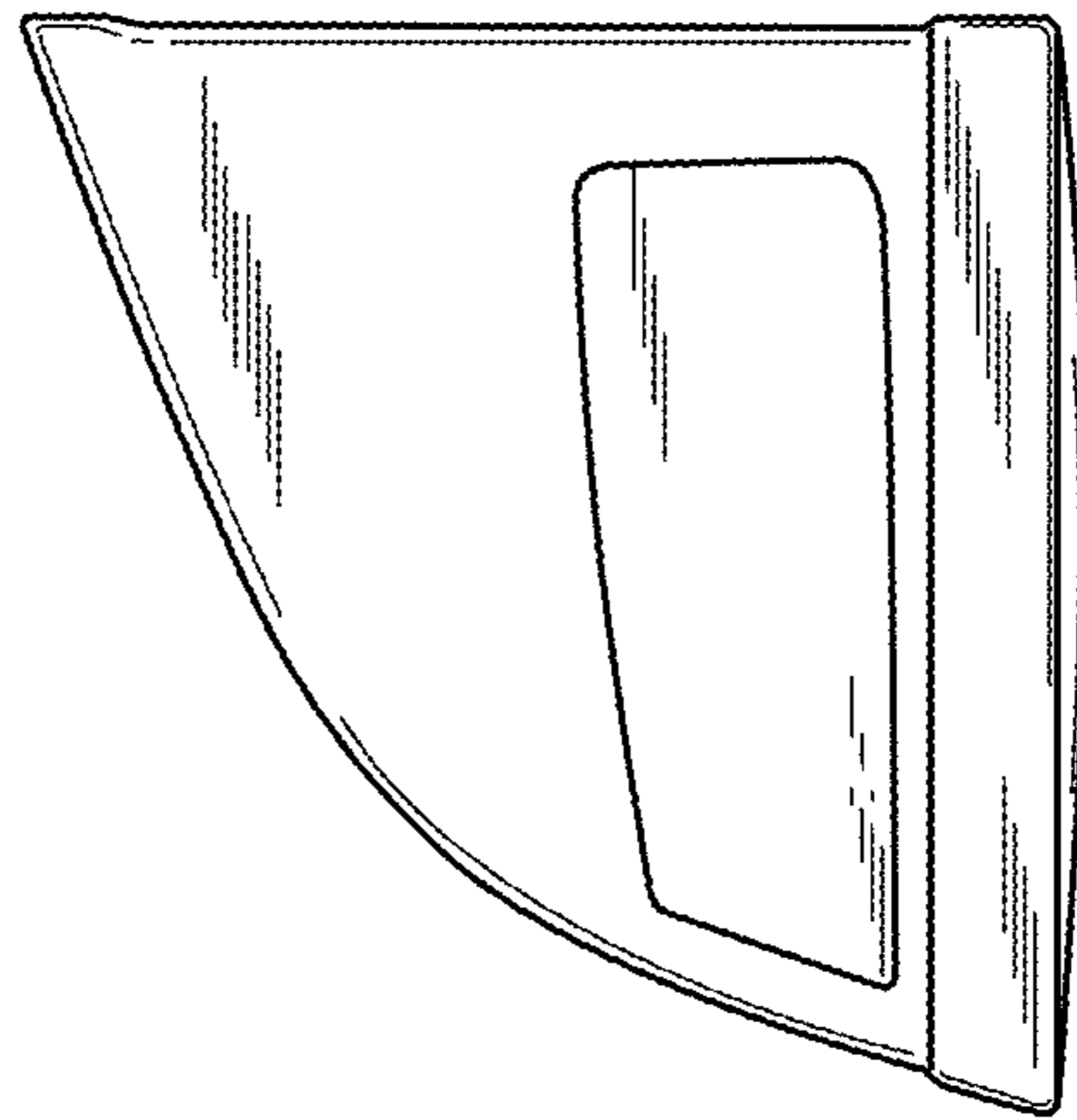


FIG. 2

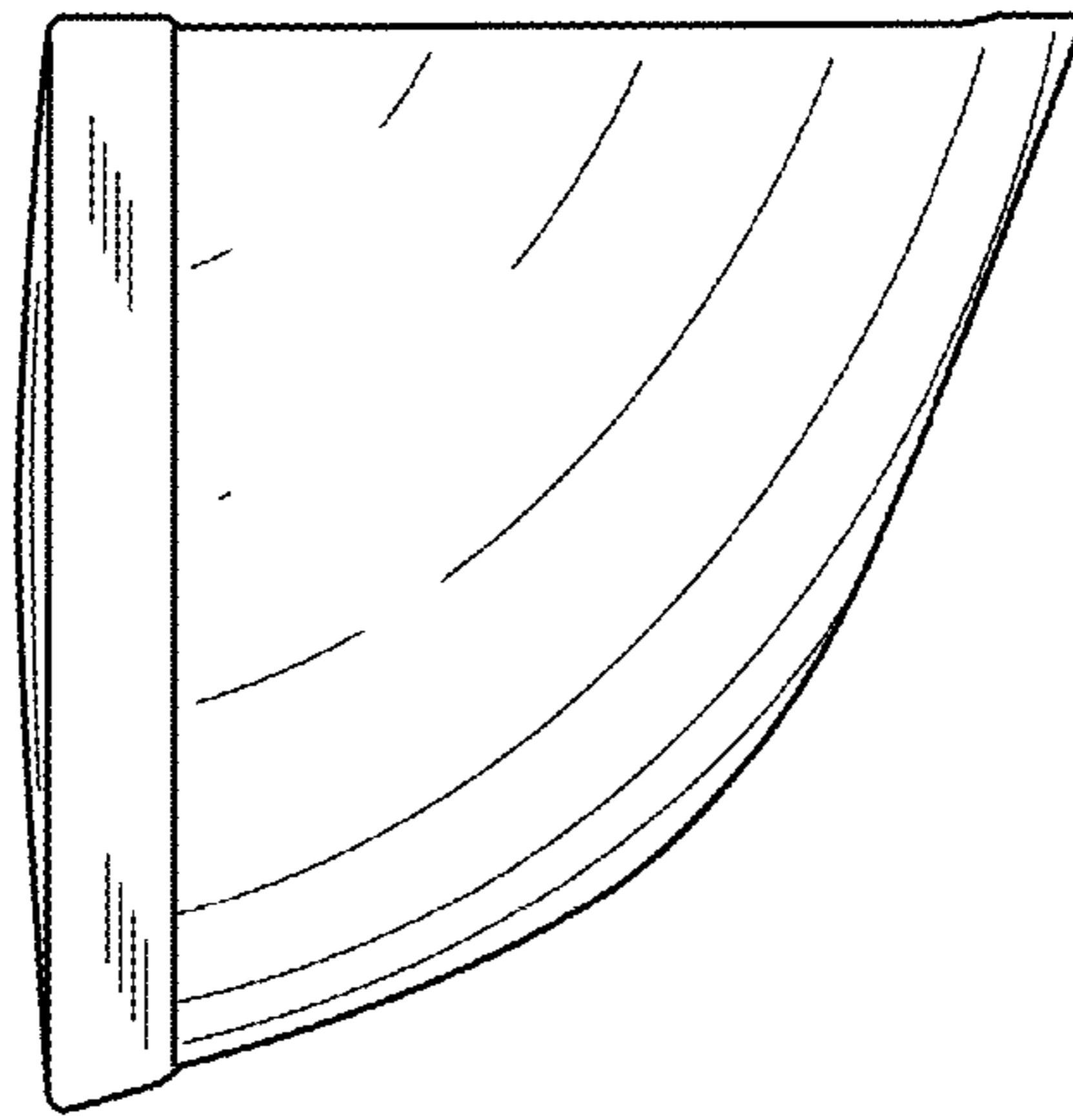


FIG. 3

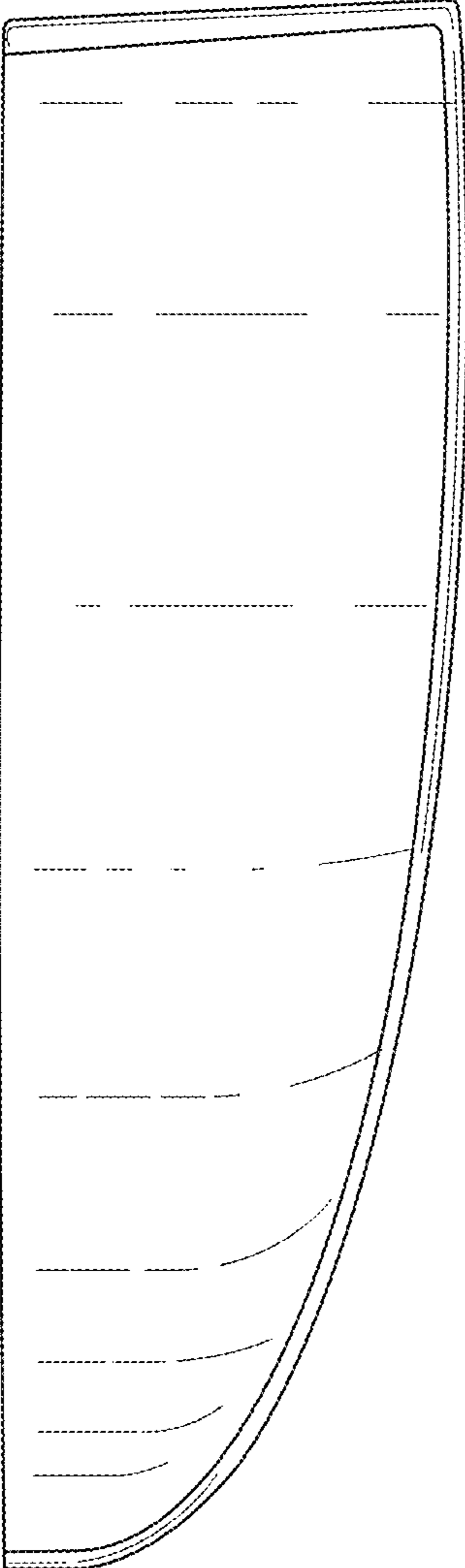


FIG. 4

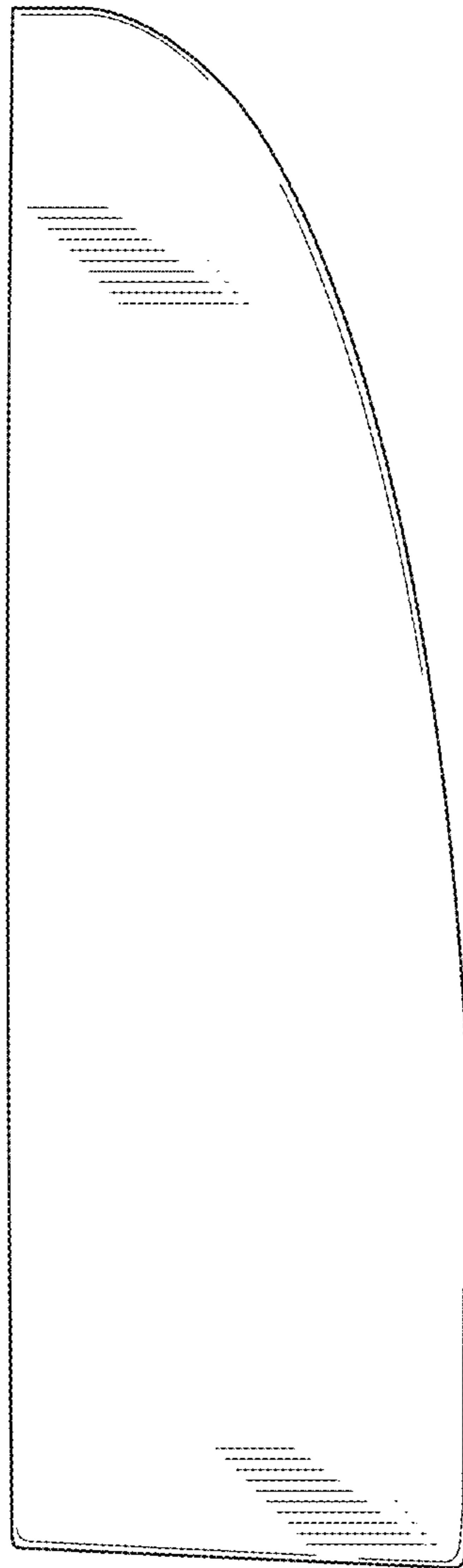


FIG. 5

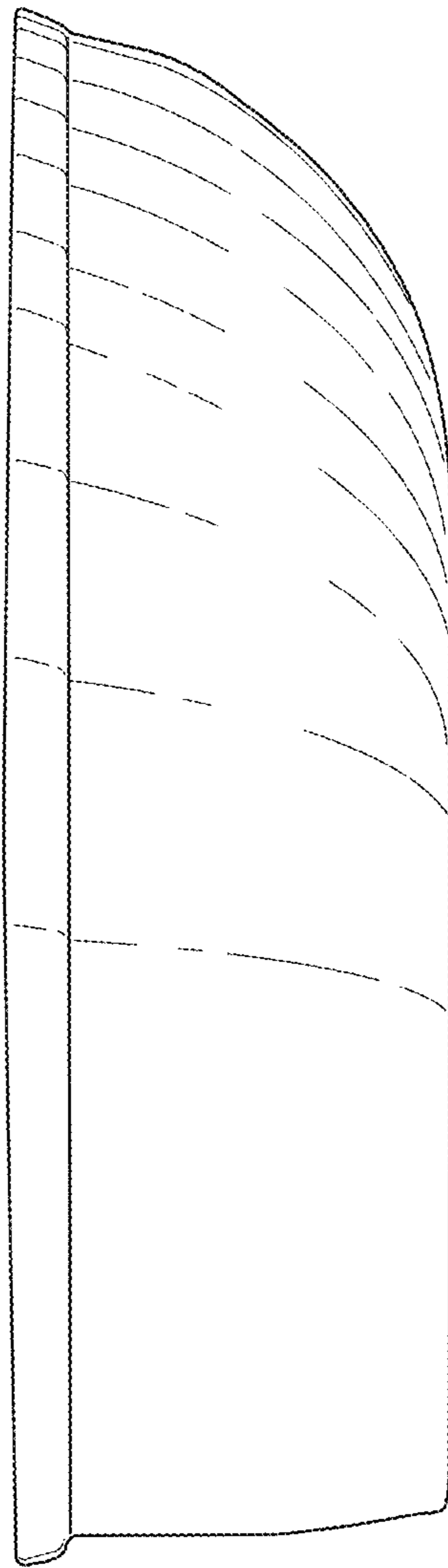


FIG. 6

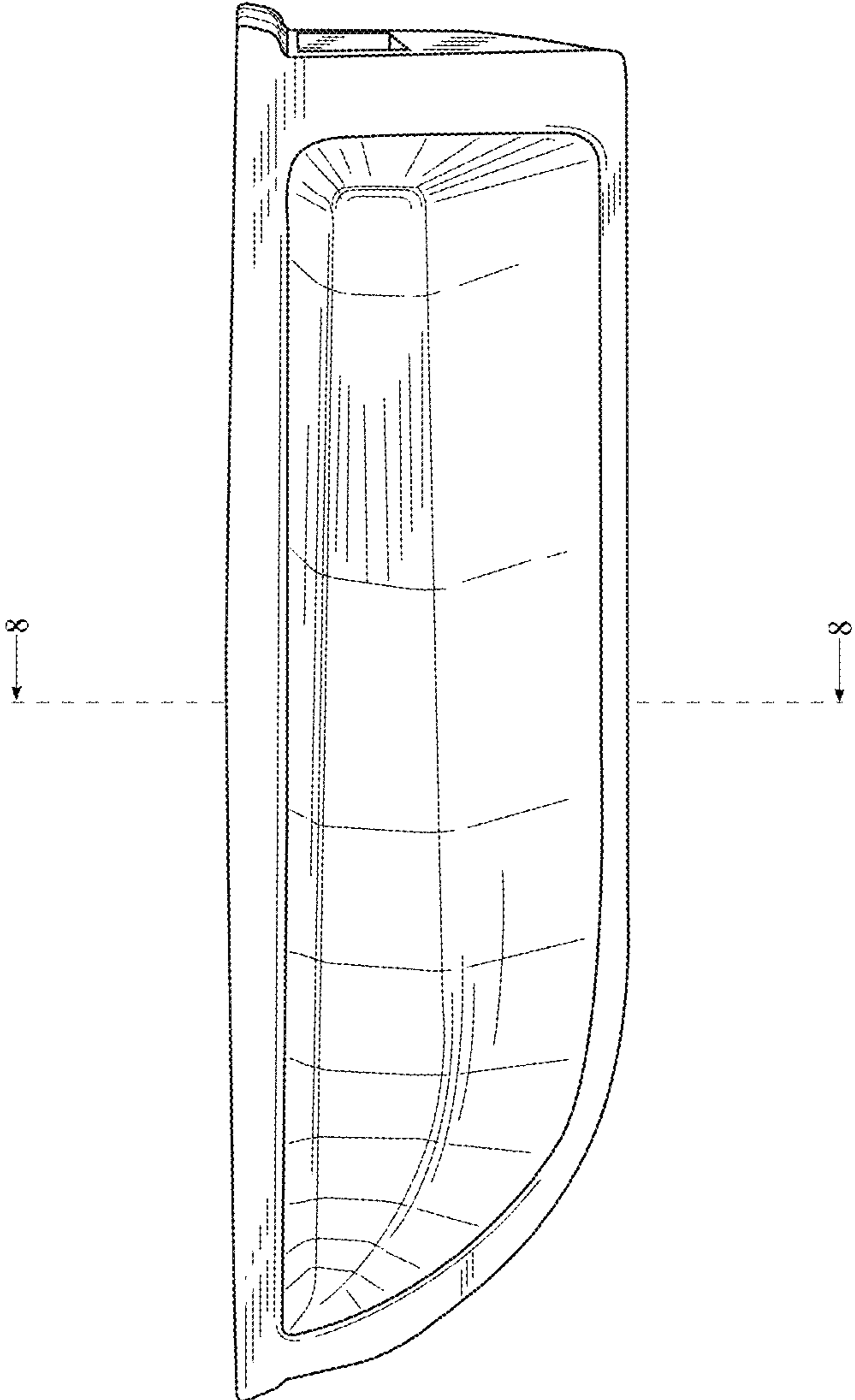


FIG. 7

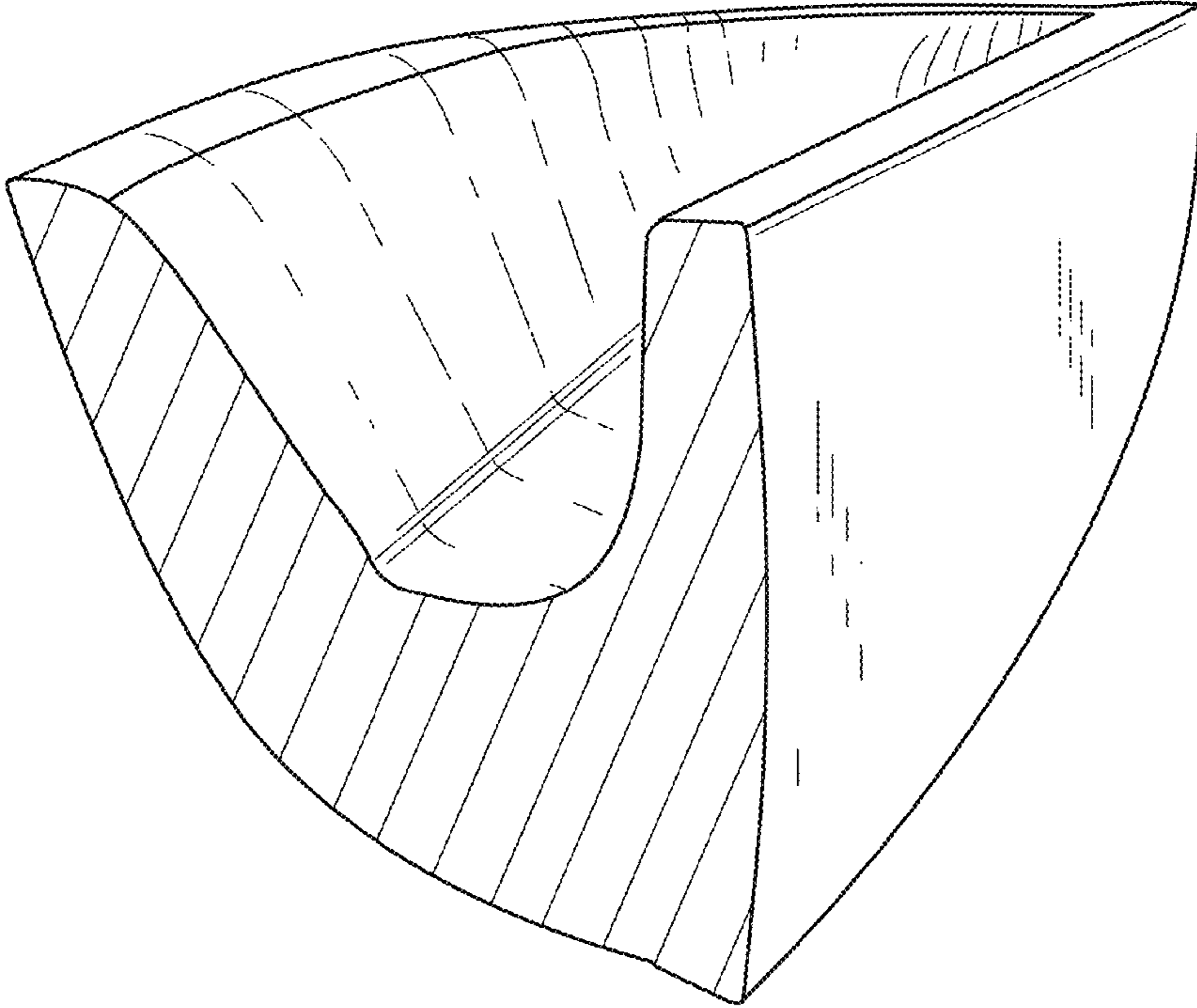


FIG. 8