



US00D775922S

(12) **United States Design Patent**
Beukema et al.

(10) **Patent No.:** **US D775,922 S**

(45) **Date of Patent:** **** Jan. 10, 2017**

(54) **FASTENING TOOL**

26/064;B23K 26/38; B23Q 3/155; G02B
7/14

(71) Applicant: **BLACK & DECKER INC.**, New Britain, CT (US)

See application file for complete search history.

(72) Inventors: **Brent Beukema**, Baltimore, MD (US);
James J. Kenney, Baltimore, MD (US);
Daniel L. Krout, Abingdon, MD (US);
Todd A. Hagan, Windsor, PA (US);
Dustin L. DeMarr, Nottingham, MD (US)

(56)

References Cited

U.S. PATENT DOCUMENTS

D424,902	S	*	5/2000	Gildersleeve	D8/68
D540,136	S	*	4/2007	Aguirre	D8/69
D575,127	S	*	8/2008	Buck	D8/69
D575,607	S	*	8/2008	Buck	D8/69
D575,608	S	*	8/2008	Buck	D8/69
D591,131	S	*	4/2009	Buck	D8/68
D676,299	S	*	2/2013	Baron	D8/69
D677,549	S	*	3/2013	Baron	D8/70
D717,147	S	*	11/2014	Rubin	D8/49
D758,158	S	*	6/2016	Beukema	D8/49

(73) Assignee: **BLACK & DECKER INC.**, New Britain, CT (US)

(**) Term: **15 Years**

* cited by examiner

(21) Appl. No.: **29/561,923**

Primary Examiner — Austin Murphy

(22) Filed: **Apr. 21, 2016**

(74) *Attorney, Agent, or Firm* — Rhonda L. Barton

Related U.S. Application Data

(63) Continuation of application No. 29/509,694, filed on Nov. 20, 2014, now Pat. No. Des. 758,158.

(57)

CLAIM

The ornamental design for a fastening tool, as shown and described.

(51) **LOC (10) Cl.** **08-05**

DESCRIPTION

(52) **U.S. Cl.**

USPC **D8/68**; D8/49

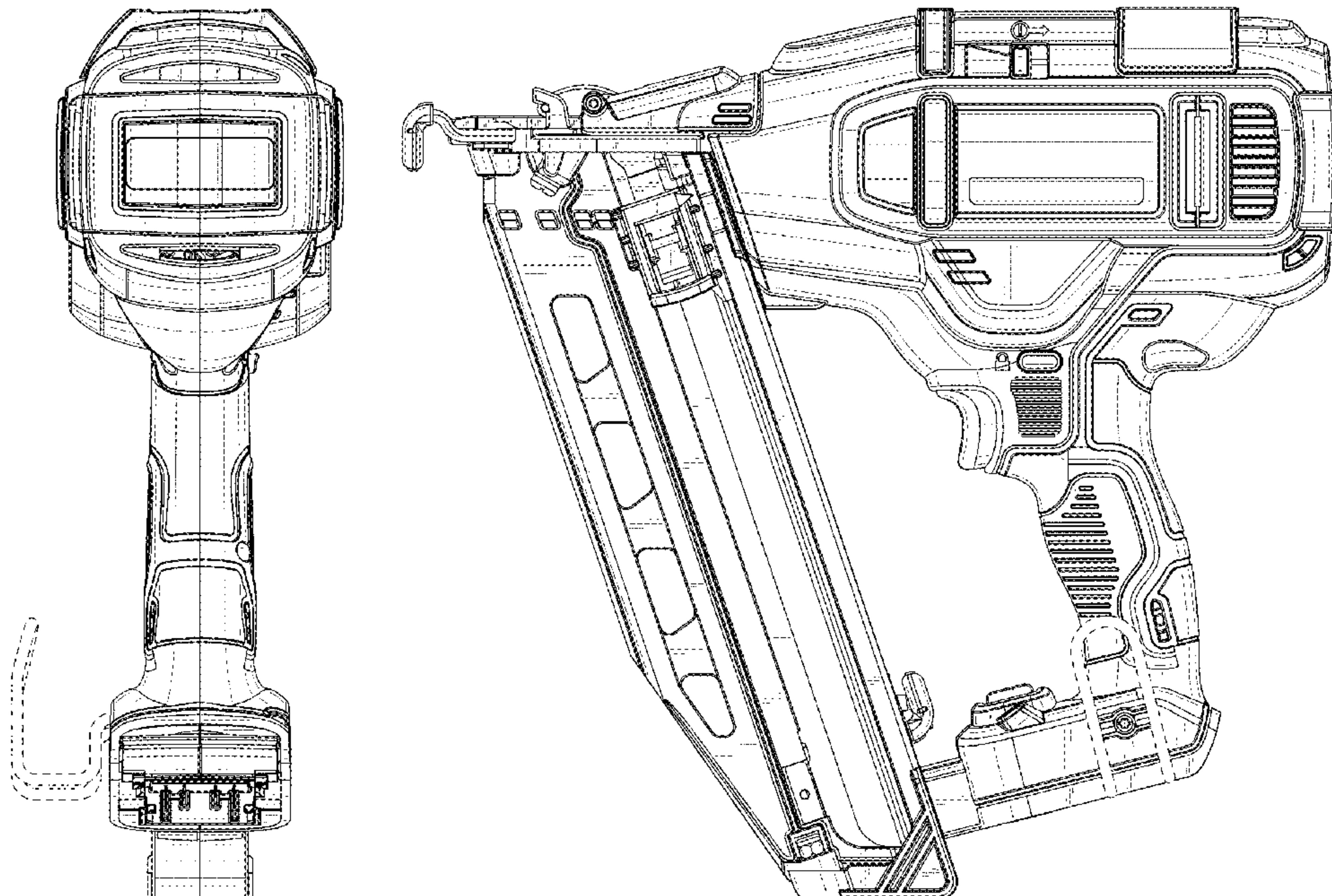
FIG. 1 is a right perspective view of a fastening tool showing our new design;
FIG. 2 is a left perspective view thereof;
FIG. 3 is a front view thereof;
FIG. 4 is a rear view thereof;
FIG. 5 is a right side view thereof;
FIG. 6 is a left side view thereof;
FIG. 7 is a top view thereof; and,
FIG. 8 is a bottom view thereof.

(58) **Field of Classification Search**

USPC D8/61-70; 173/2, 13, 46, 109, 110, 114, 173/170, 178, 198, 214, 217; 227/8, 113, 227/114, 120, 130, 136, 142; 408/20, 35, 408/58, 67, 117, 124, 125, 234, 241 R; 429/92; 318/139; 362/119

CPC B23K 26/382; B23K 37/00; B23K 37/02; B23K 26/1482; B23K 26/20; B23K 26/36; B23K 26/0648; B23K 26/00; B23K 26/0066; B23K 26/043; B23K

1 Claim, 6 Drawing Sheets



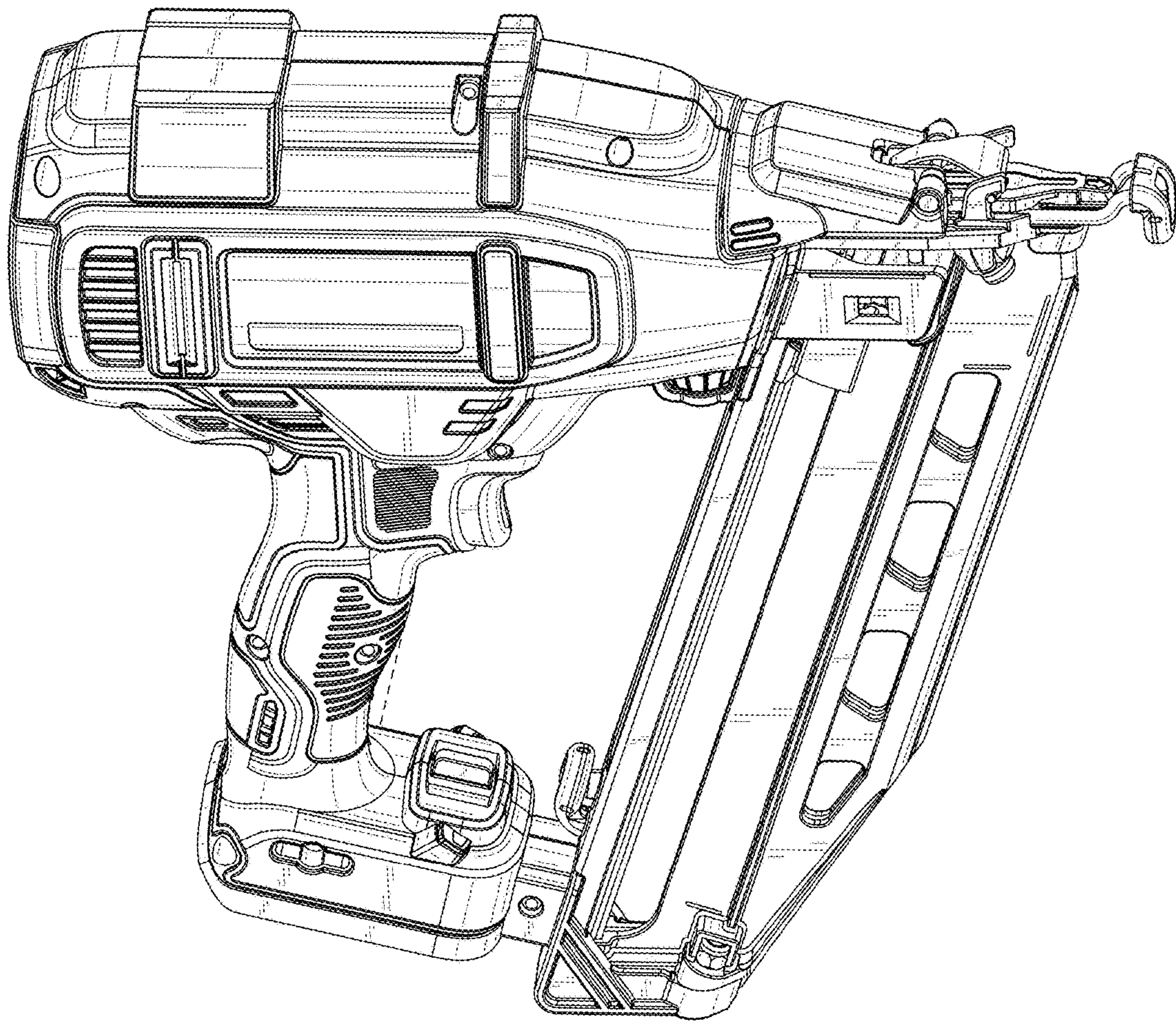


FIG. 1

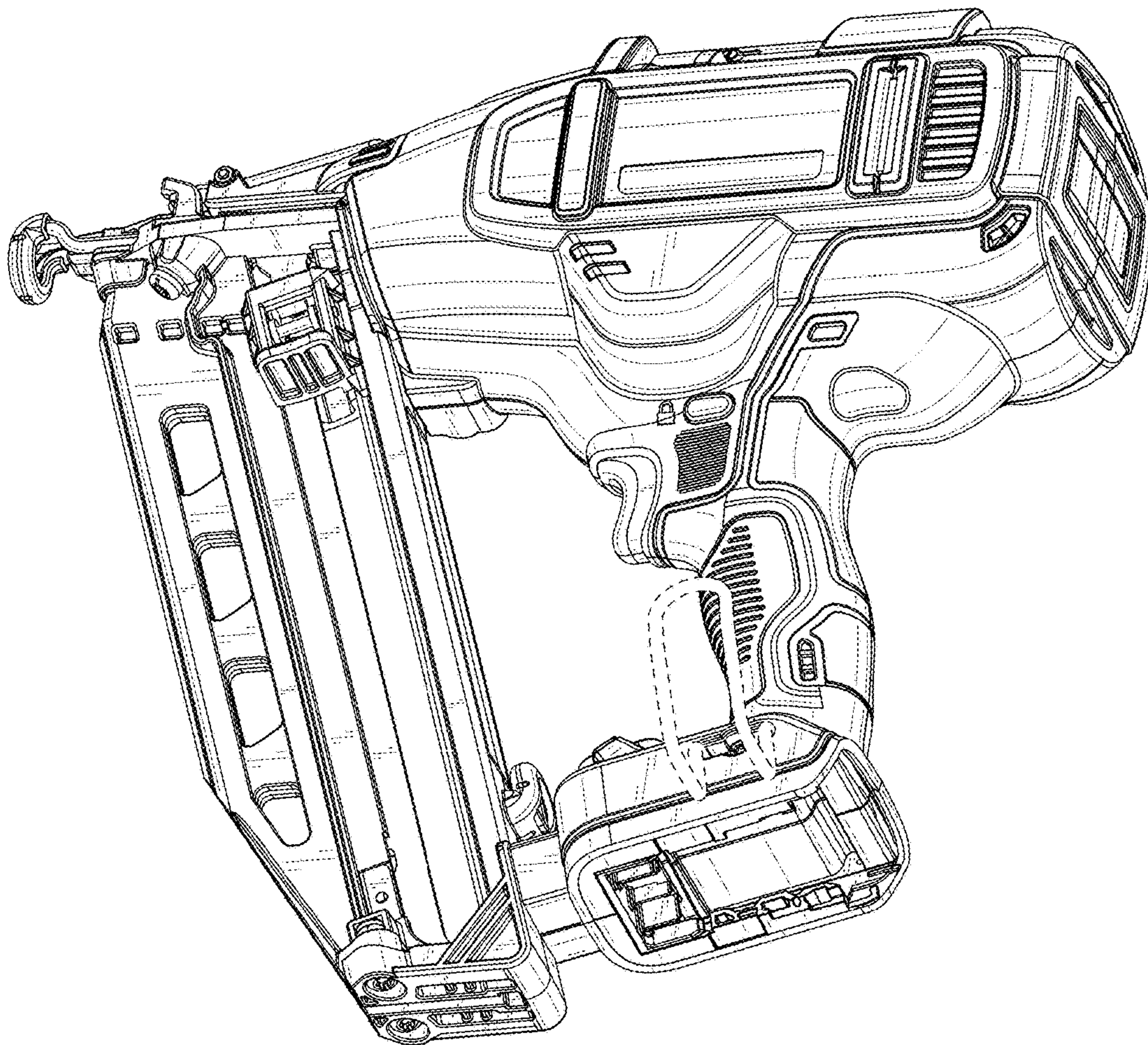


FIG. 2

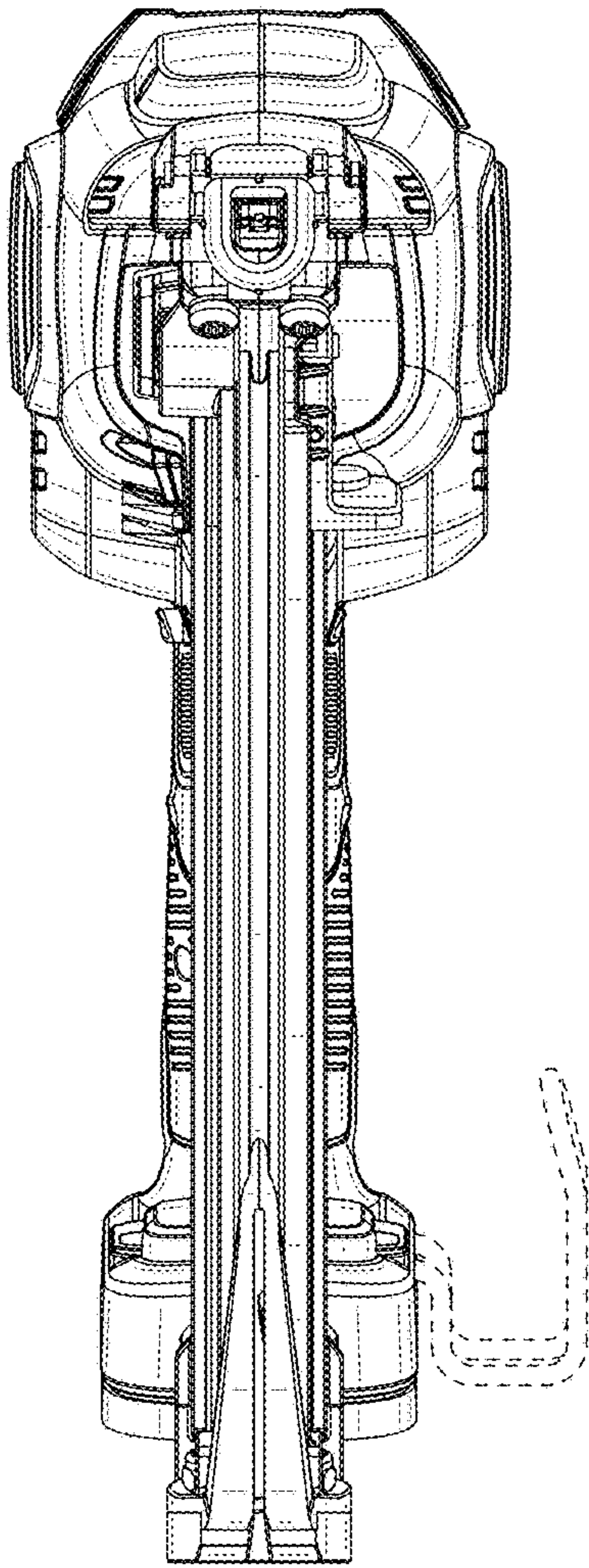


FIG. 3

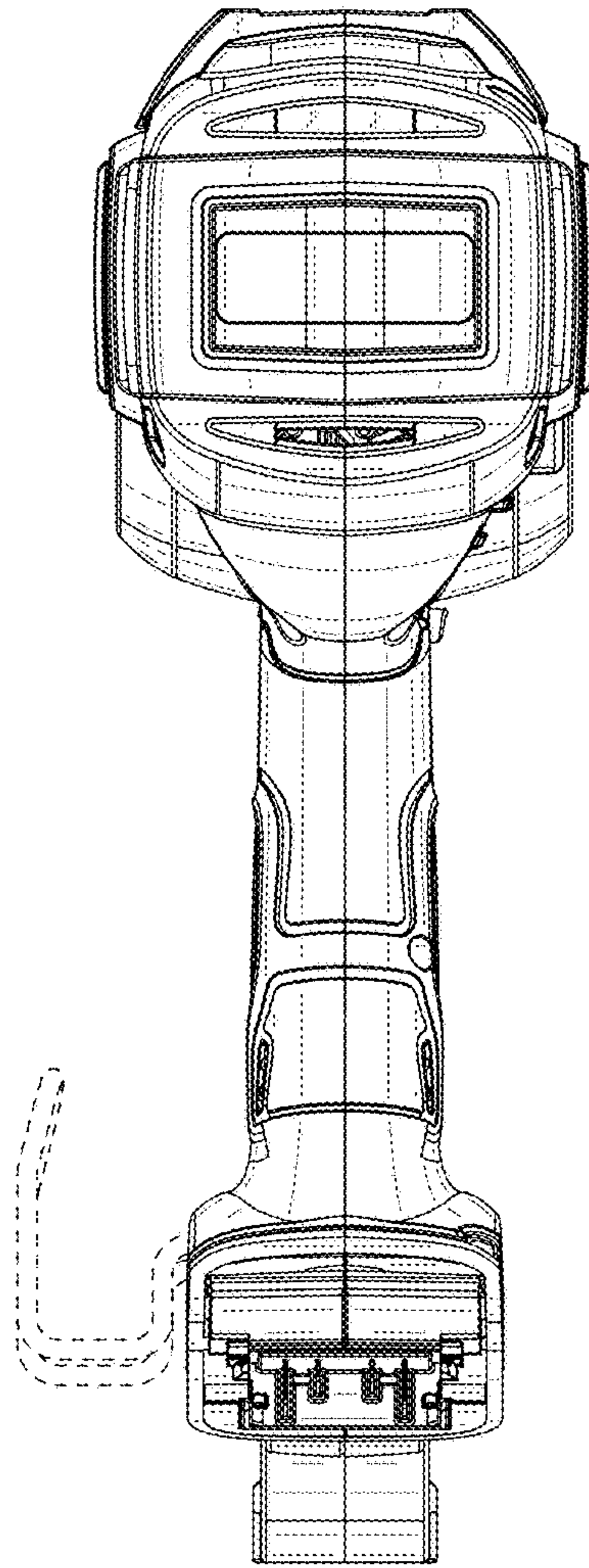


FIG. 4

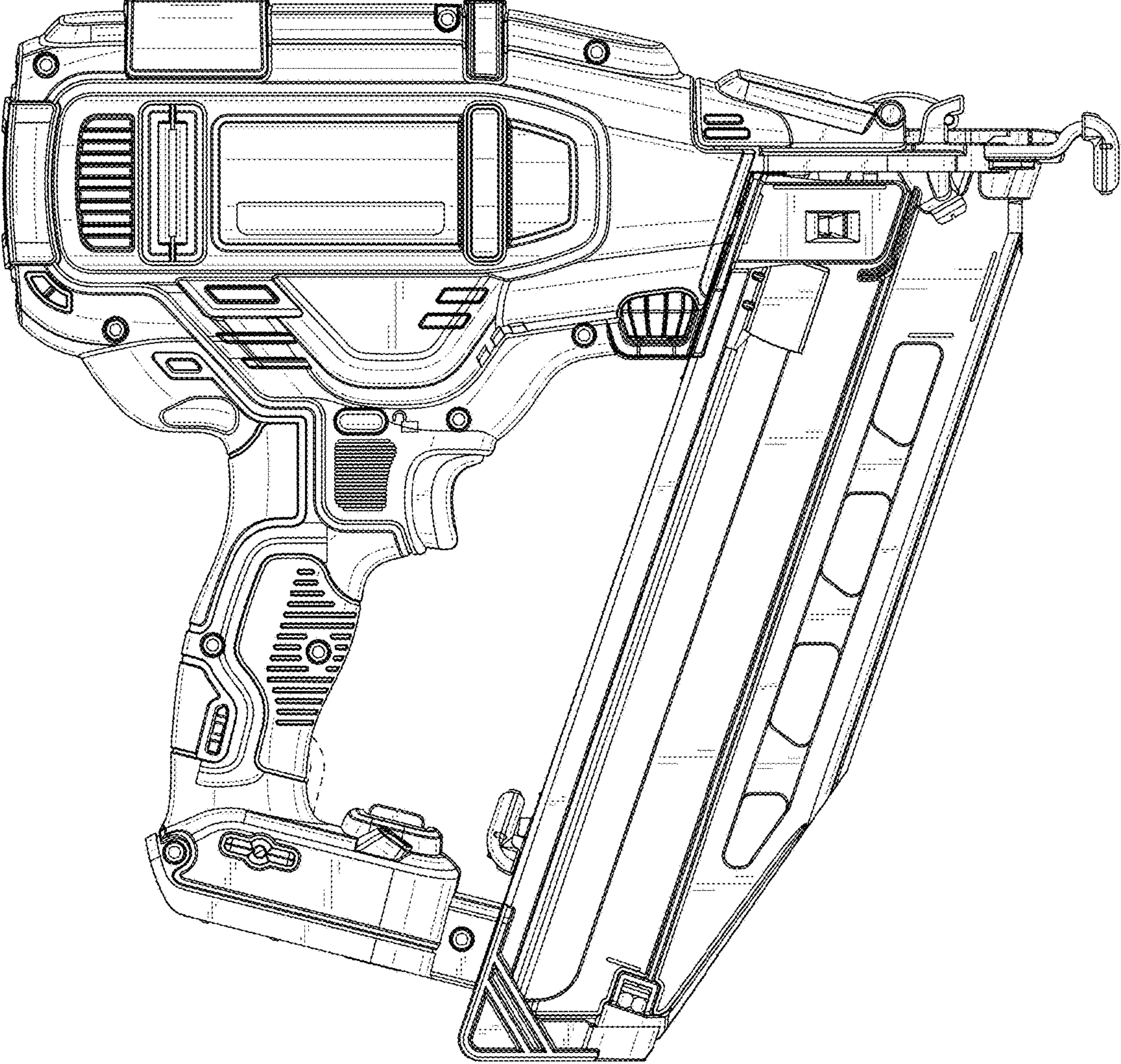


FIG. 5

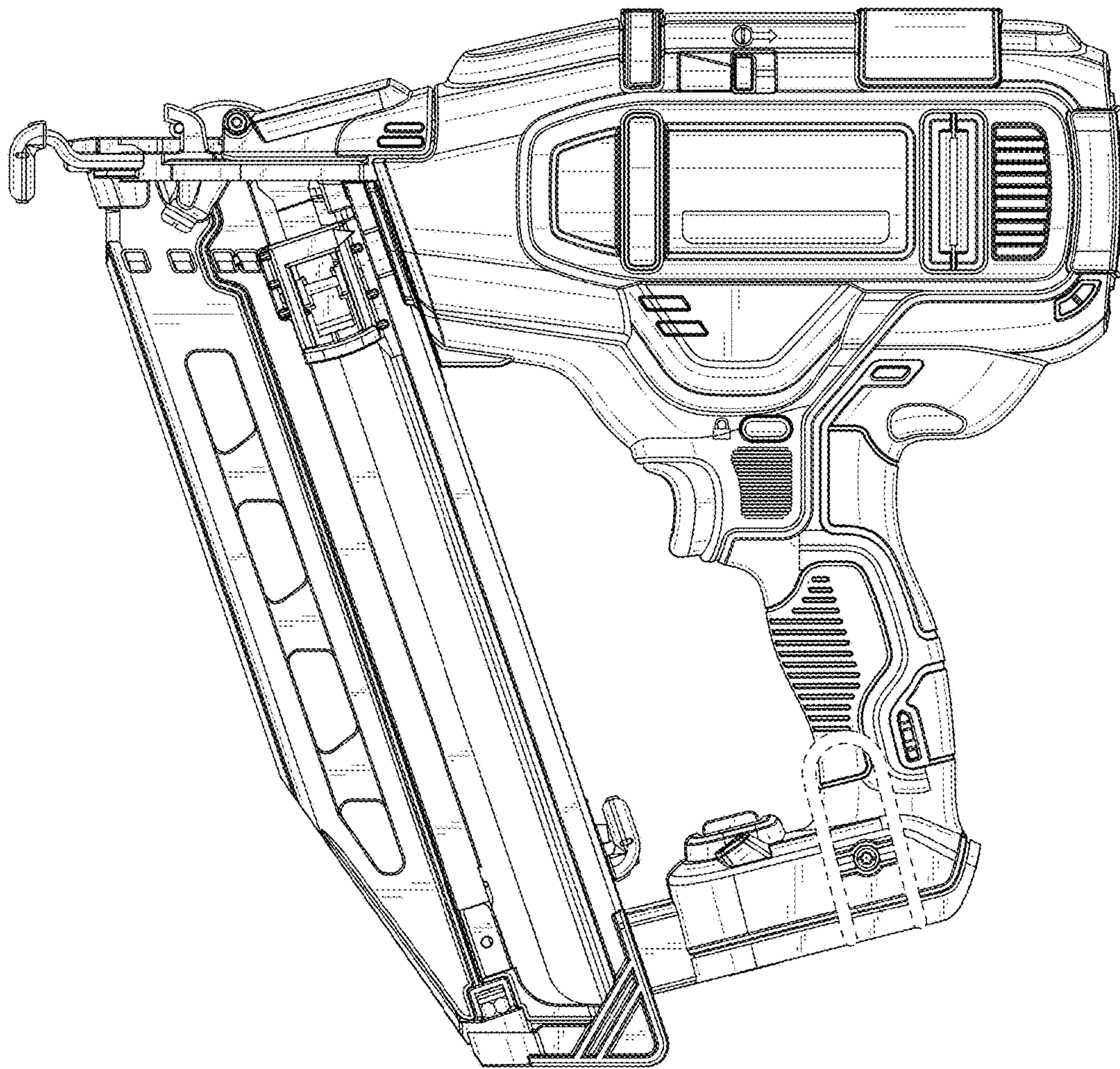


FIG. 6

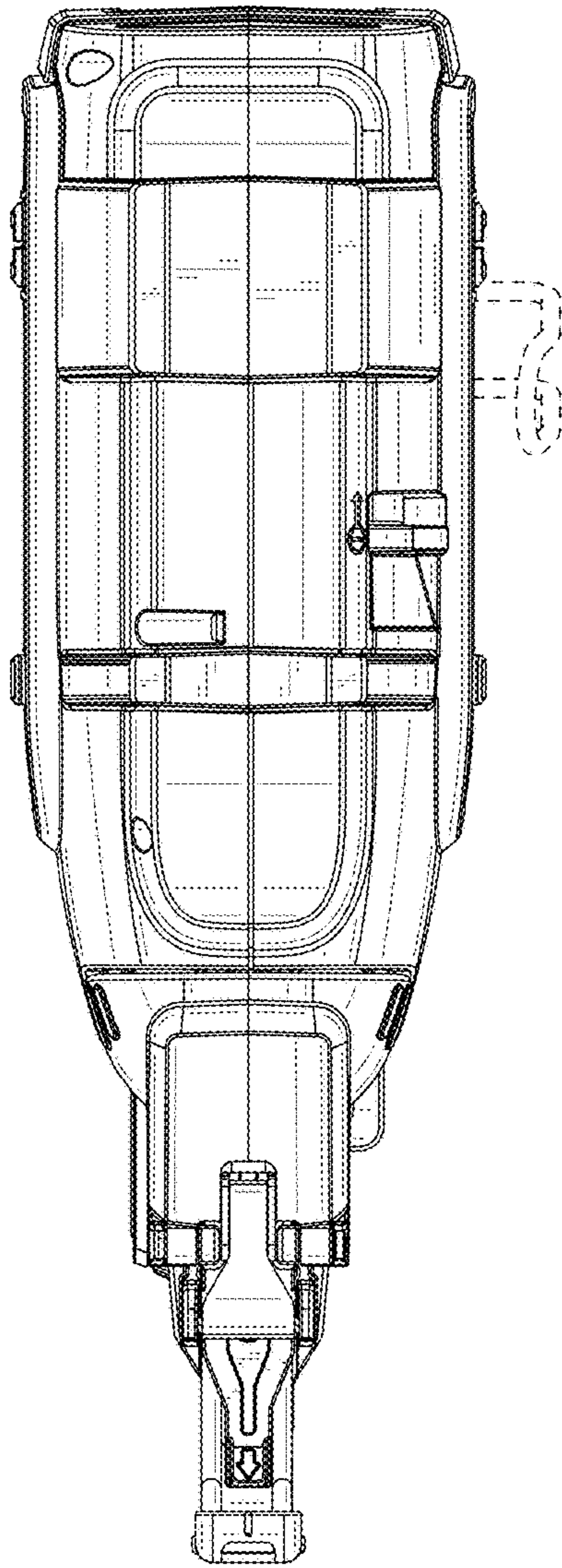


FIG. 7

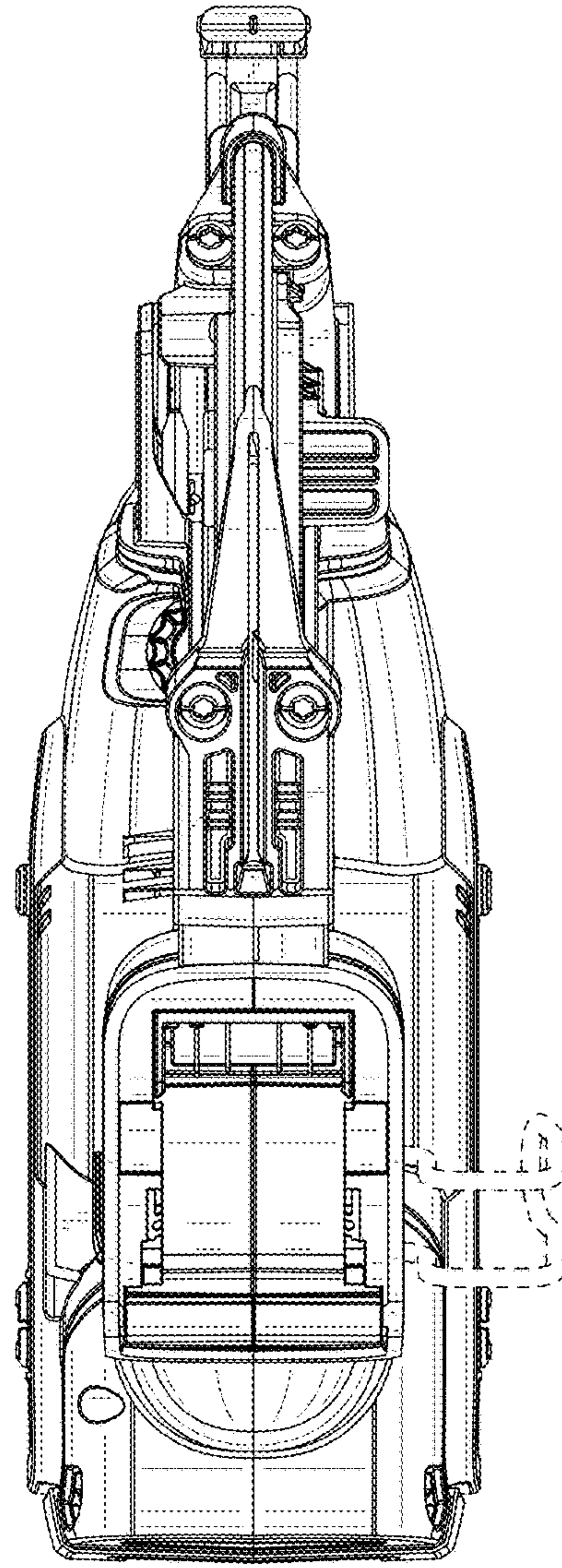


FIG. 8