



US00D775921S

(12) **United States Design Patent** (10) **Patent No.:** **US D775,921 S**
Tirone et al. (45) **Date of Patent:** **** Jan. 10, 2017**

(54) **DRILL**
(71) Applicant: **BLACK & DECKER INC.**, Newark, DE (US)
(72) Inventors: **James C. Tirone**, Baltimore, MD (US); **John Burnie**, Baltimore, MD (US); **Robert B. Schoch**, Baltimore, MD (US)

D685,244 S 7/2013 Tirone et al.
D685,245 S * 7/2013 Tirone D8/68
D691,444 S 10/2013 Tirone et al.
D700,821 S * 3/2014 Tschopp D8/68
D708,496 S * 7/2014 Zhou D8/68
D722,854 S * 2/2015 Beukema D8/68
2015/0041164 A1* 2/2015 Sergyeyenko B25B 21/008 173/1

(73) Assignee: **BLACK & DECKER INC.**, New Britain, CT (US)

(**) Term: **15 Years**

(21) Appl. No.: **29/541,626**

(22) Filed: **Oct. 6, 2015**

(51) **LOC (10) Cl.** **08-01**

(52) **U.S. Cl.**
USPC **D8/68**

(58) **Field of Classification Search**
USPC ... D8/61, 67, 68; 81/57.4, 489; 173/48, 109, 173/170, 178, 217; 408/124, 125; 362/119; 475/149
CPC B62D 23/005; B62D 29/00; B62D 29/043; B62D 31/00; B62D 33/046; B62D 35/00; B62D 35/001; B60Q 1/0005
See application file for complete search history.

(56) **References Cited**

U.S. PATENT DOCUMENTS

D466,777 S * 12/2002 Watson D8/68
D525,848 S * 8/2006 Kokawa D8/68
D527,971 S * 9/2006 Kokawa D8/68
D642,037 S * 7/2011 Miller D8/68
D646,947 S * 10/2011 Lopano D8/68
D670,989 S * 11/2012 Kawase D8/61
D675,500 S * 2/2013 Taniguchi D8/68
D678,744 S * 3/2013 Aoki D8/68

OTHER PUBLICATIONS

Vaglica, Sal. "Tool Test: 12-Volt Drill/Drivers." This Old House., Nov. 27, 2010 [online], [retrieved on Aug. 30, 2016]. Retrieved from the Internet <URL: <https://www.thisoldhouse.com/ideas/tool-test-12-volt-drilldrivers/>>.*
Nagyszalanczy, Sandor. "Heavy Duty Drill/Driver Reviews." Woodworkers Journal., Apr. 1, 2013 [online], [retrieved on Aug. 30, 2016]. Retrieved from the Internet <URL: <http://www.woodworkersjournal.com/heavy-duty-drilldriver-reviews/>>.*

(Continued)

Primary Examiner — Darlington Ly

(74) *Attorney, Agent, or Firm* — Stephen R. Valancius

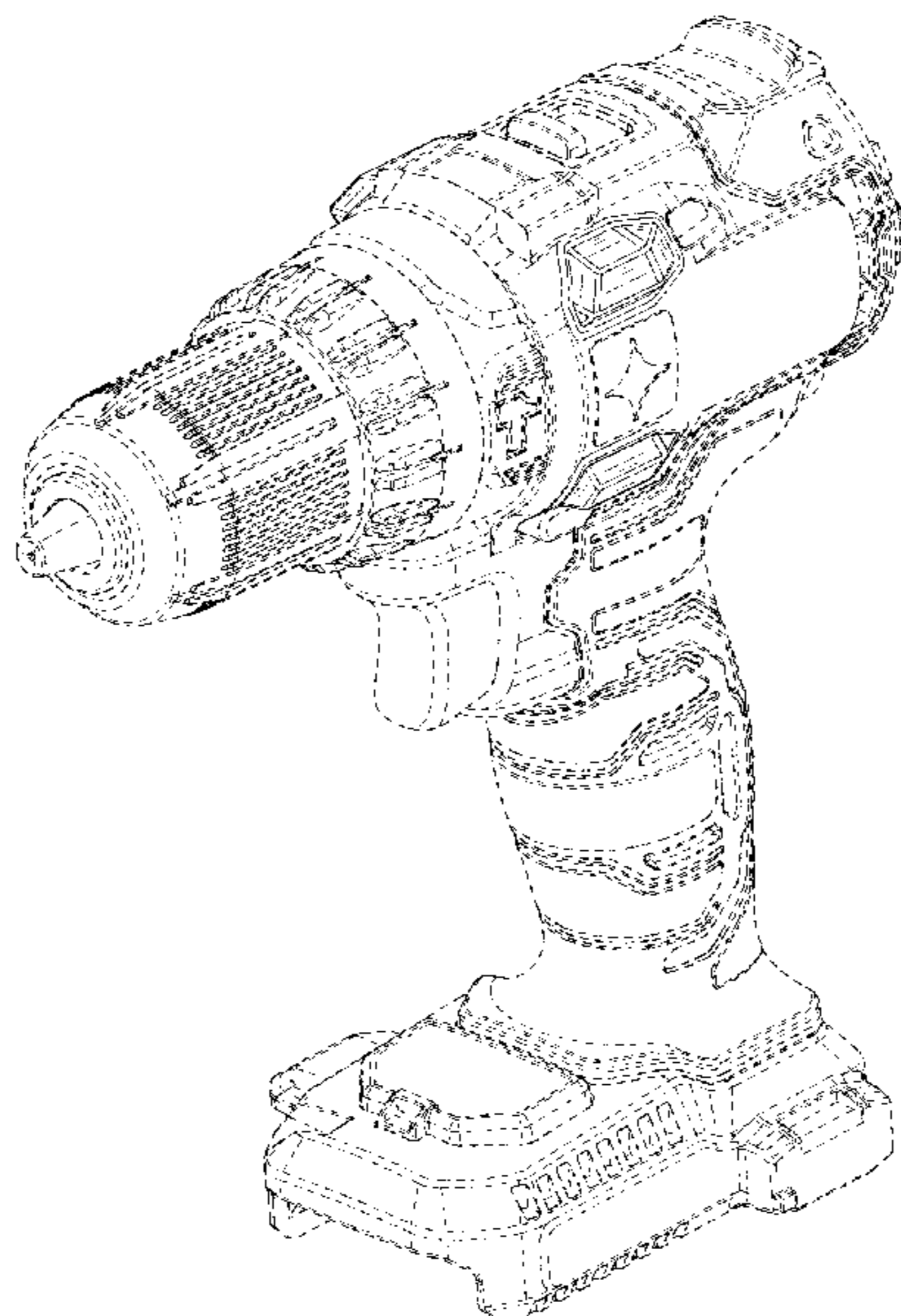
(57) **CLAIM**

The ornamental design for a drill, as shown and described.

DESCRIPTION

FIG. 1 is a perspective view of a drill showing our new design;
FIG. 2 is a front view thereof
FIG. 3 is a rear view thereof;
FIG. 4 is a left side view thereof;
FIG. 5 is a right side view thereof;
FIG. 6 is a top plan view thereof; and,
FIG. 7 is a bottom plan view thereof.
The broken lines in the drawings illustrate portions of the drill that forms no part of the claimed design.

1 Claim, 7 Drawing Sheets



(56)

References Cited

OTHER PUBLICATIONS

Berendsohn, Roy. "The Top 20-Volt Drill/Drivers, Tested." Popular Mechanics., Jun. 12, 2014 [online], [retrieved on Aug. 30, 2016]. Retrieved from the Internet <URL: <http://www.popularmechanics.com/home/tools/reviews/g1540/the-top-20v-drill-drivers-tested/>>.*

Gedgaud, Jeff. "Porter-Cable 20 Volt Max Lithium Ion Drill Driver Kit." Jeff's Reviews., Apr. 8, 2014 [online], [retrieved on Aug. 30, 2016]. Retrieved from the Internet <URL: <http://www.jeffsreviews.com/porter-cable-drill-driver-kit/>>.*

* cited by examiner

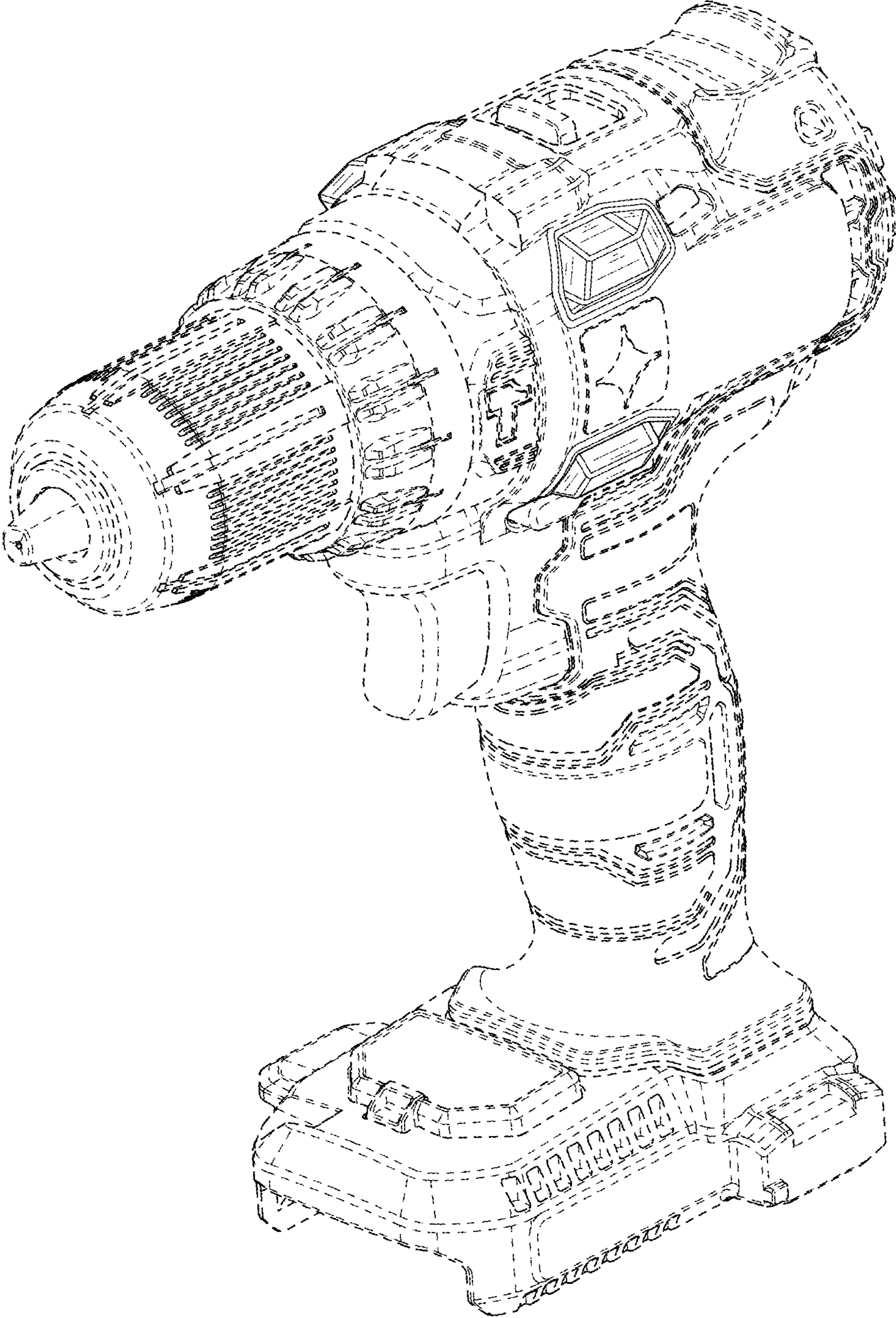


FIG. 1

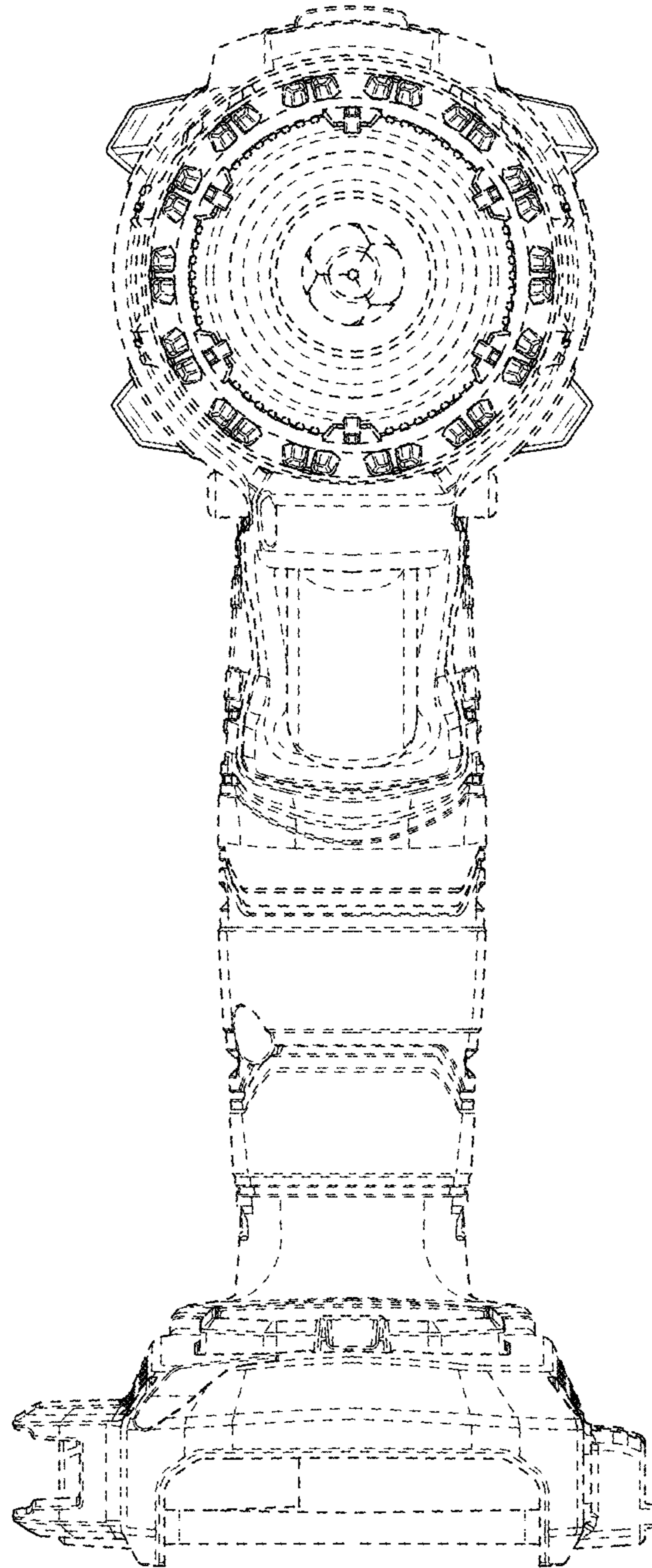


FIG. 2

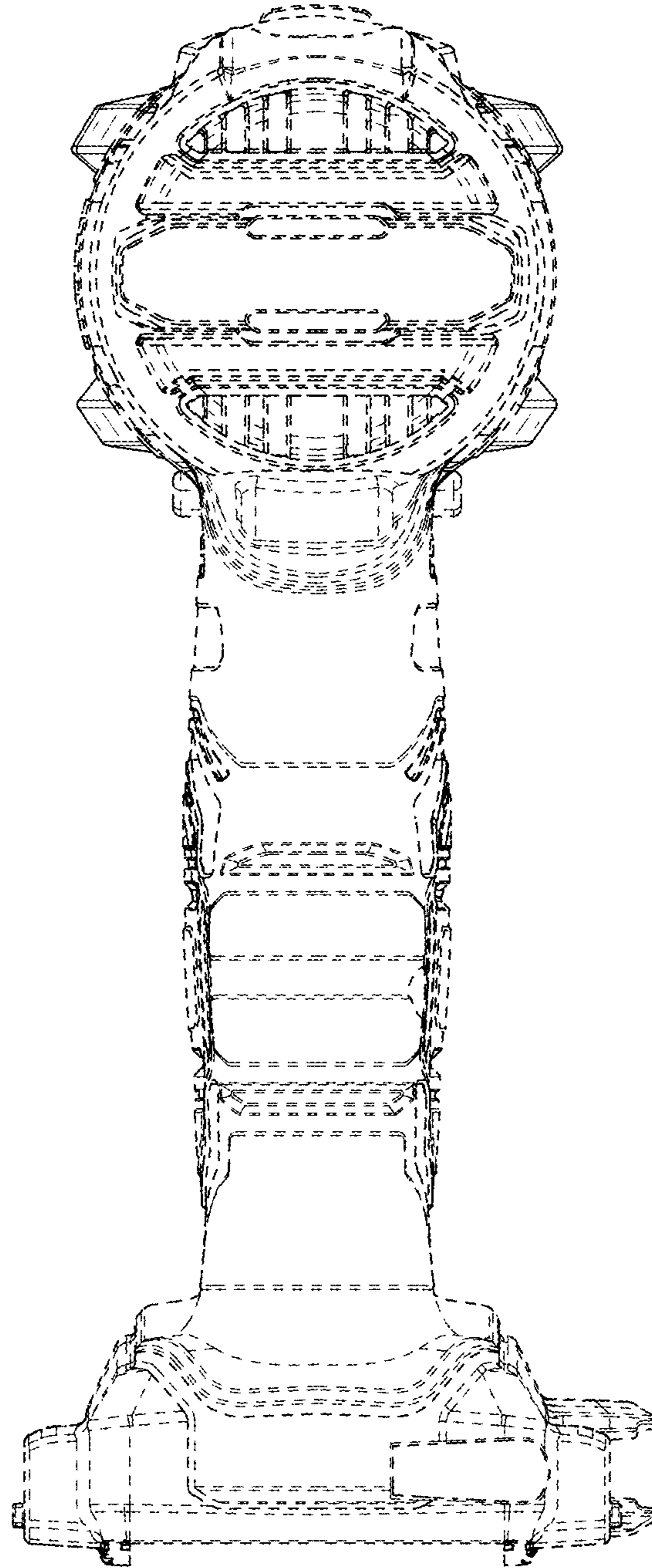


FIG. 3

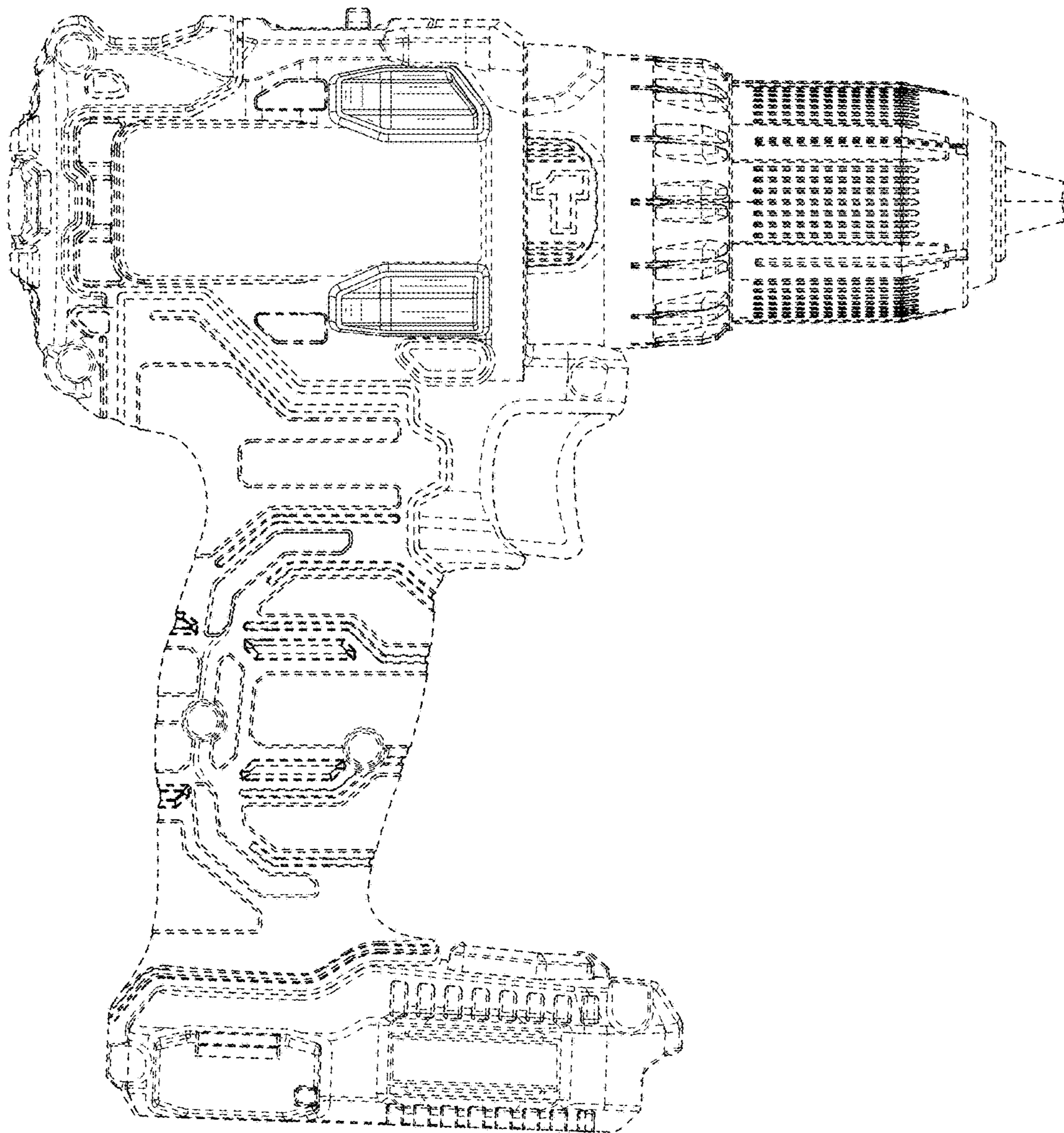


FIG. 4

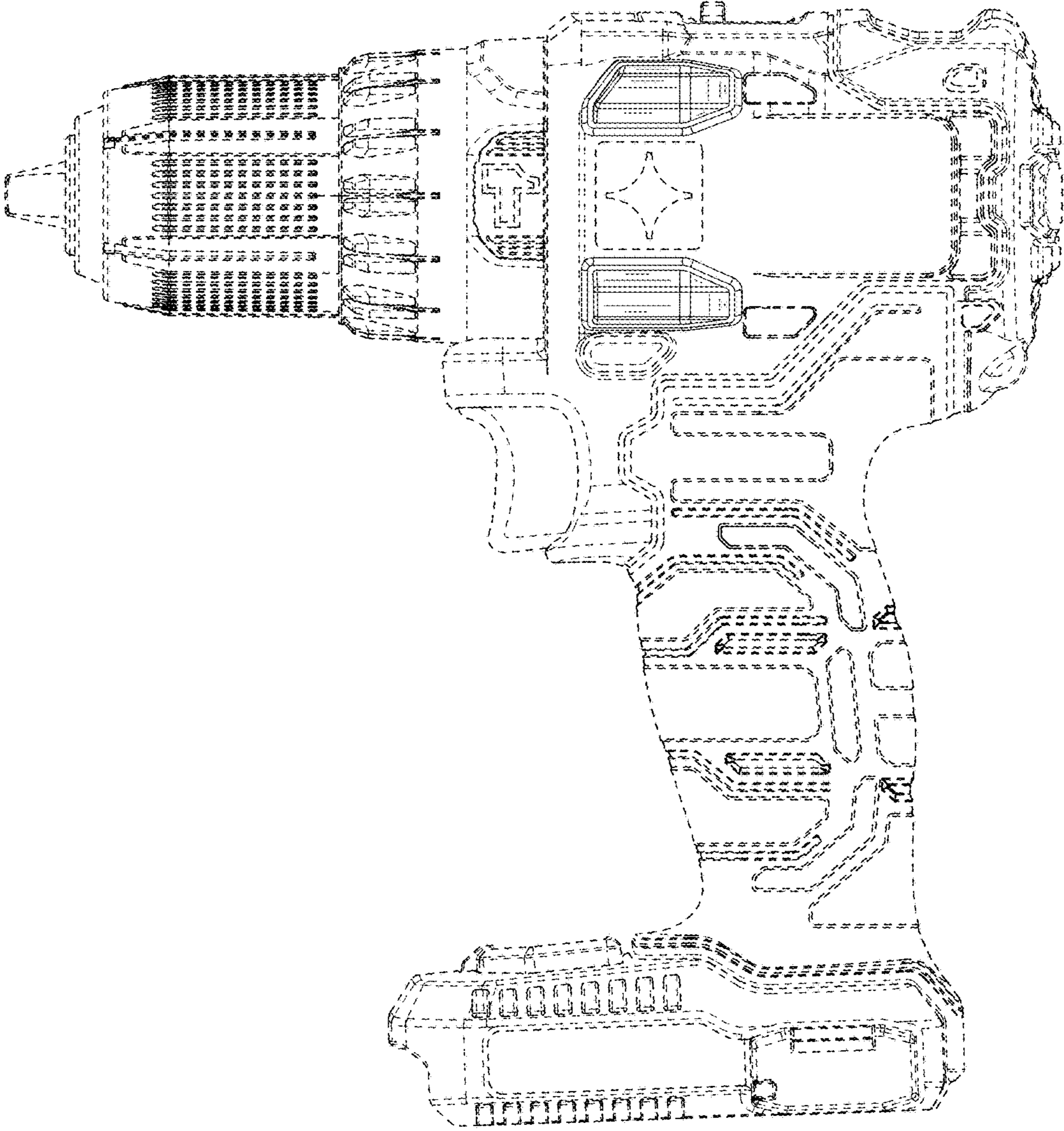


FIG. 5

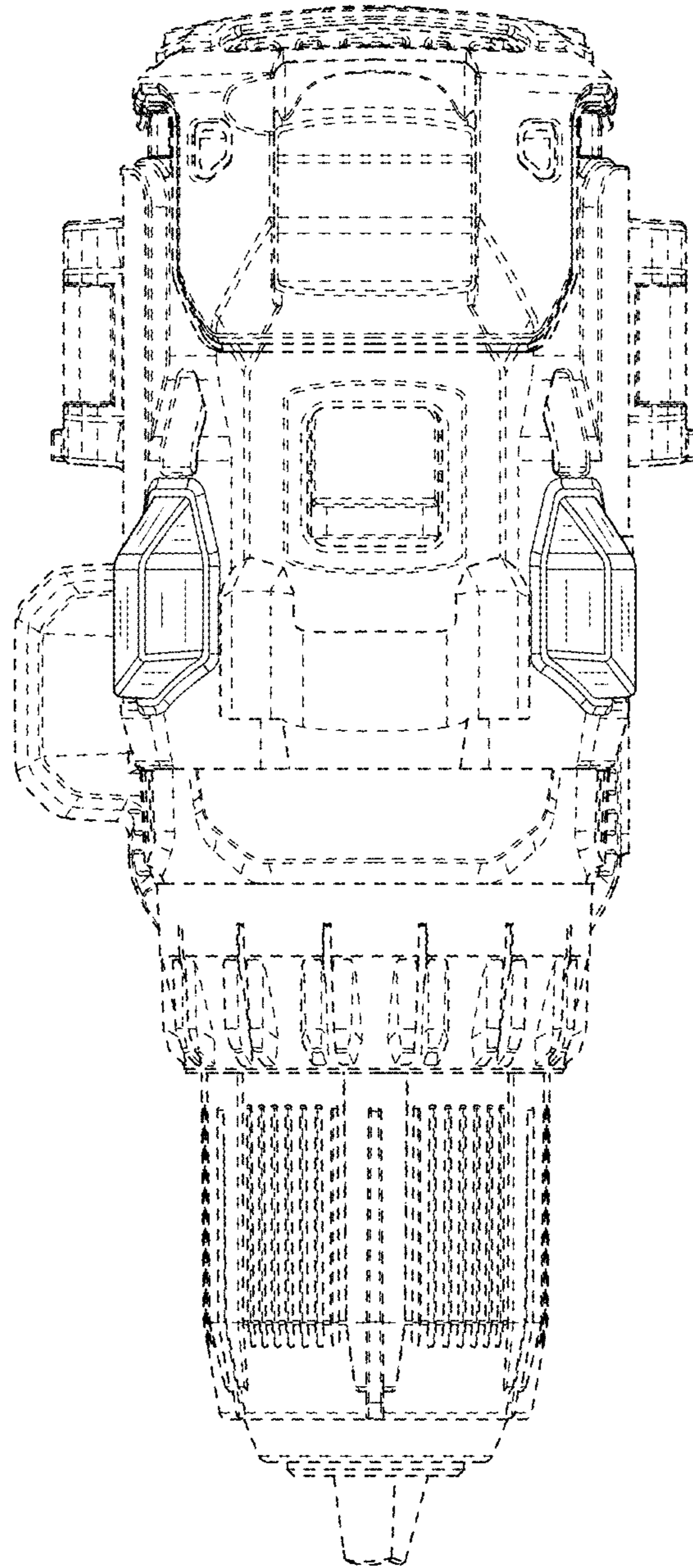


FIG. 6

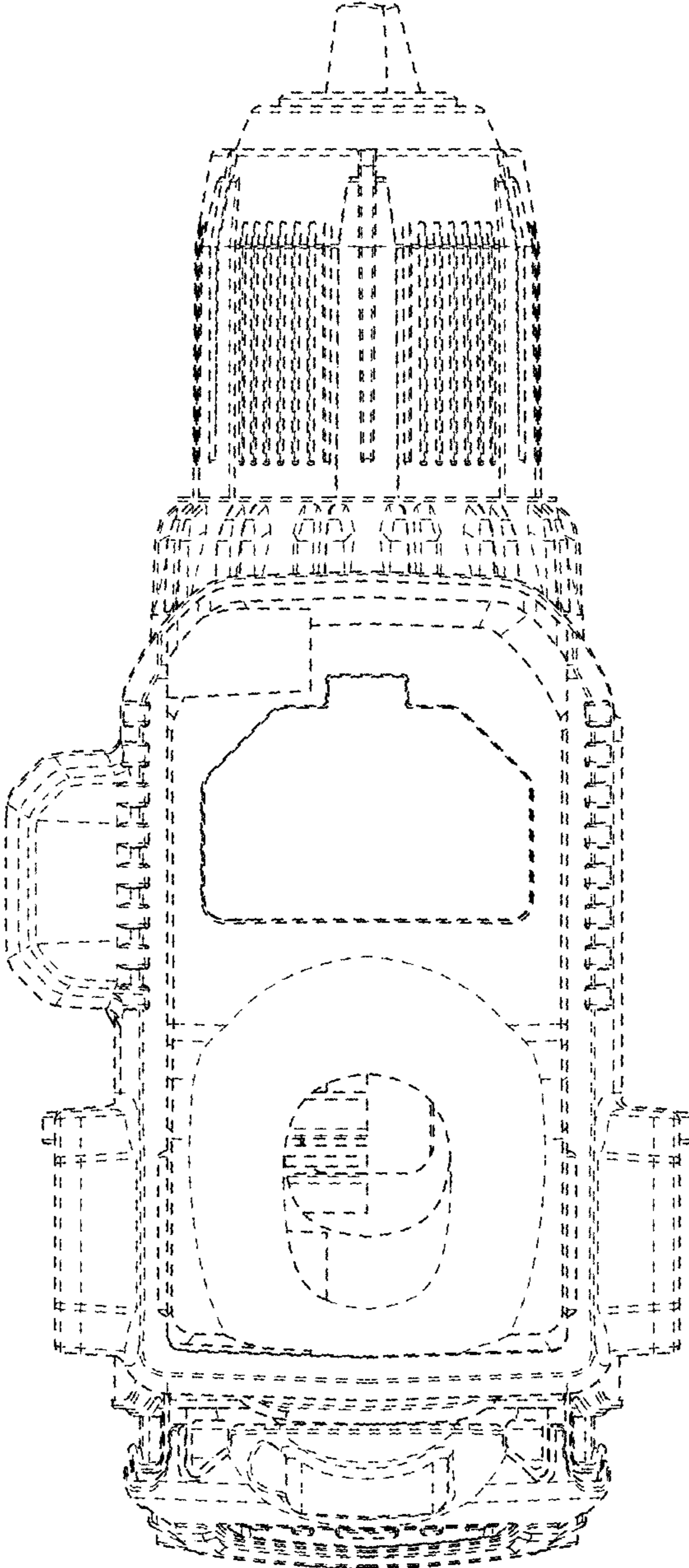


FIG. 7