



US00D775918S

(12) **United States Design Patent**
Lee

(10) **Patent No.:** **US D775,918 S**
(45) **Date of Patent:** **** Jan. 10, 2017**

(54) **SCISSORS**
(71) Applicant: **Ching-Lu Lee**, Changhua (TW)
(72) Inventor: **Ching-Lu Lee**, Changhua (TW)
(**) Term: **15 Years**
(21) Appl. No.: **29/548,828**
(22) Filed: **Dec. 16, 2015**
(51) **LOC (10) Cl.** **08-03**
(52) **U.S. Cl.**
USPC **D8/57**
(58) **Field of Classification Search**
USPC D8/4, 5, 51-58
CPC A01G 3/02; B26B 13/16
See application file for complete search history.

D463,227 S * 9/2002 Choi D8/5
D503,595 S * 4/2005 Lipscomb D8/5
D705,023 S * 5/2014 Chen D8/5
D714,597 S * 10/2014 Lee D8/5
D715,113 S * 10/2014 Masalin D8/5
D718,590 S * 12/2014 Roberts D8/57

* cited by examiner

Primary Examiner — Deanna L Pratt
(74) *Attorney, Agent, or Firm* — WPAT, P.C., Intellectual Property Attorneys; Anthony King

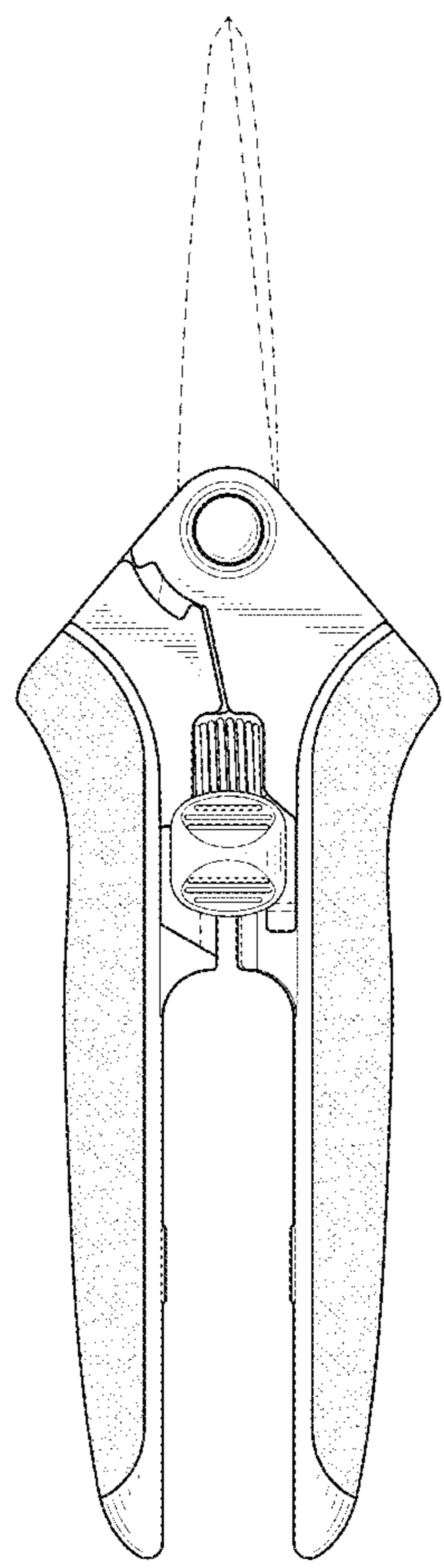
(57) **CLAIM**
The ornamental design for scissors, as shown and described.

DESCRIPTION

FIG. 1 is a perspective view of scissors, showing my new design;
FIG. 2 is another perspective view thereof;
FIG. 3 is a front view thereof;
FIG. 4 is rear front view thereof;
FIG. 5 is a left side view thereof;
FIG. 6 is a right side view thereof;
FIG. 7 is a top view thereof; and,
FIG. 8 is a bottom view thereof.
The broken lines in the drawings illustrate portions of the scissors that form no part of the claimed design.

(56) **References Cited**
U.S. PATENT DOCUMENTS
D353,523 S * 12/1994 Her D8/5
D354,890 S * 1/1995 Concari D8/5
D427,491 S * 7/2000 Deville D8/5
D427,859 S * 7/2000 Deville D8/5
D427,860 S * 7/2000 Deville D8/5
D431,761 S * 10/2000 Deville D8/5

1 Claim, 8 Drawing Sheets



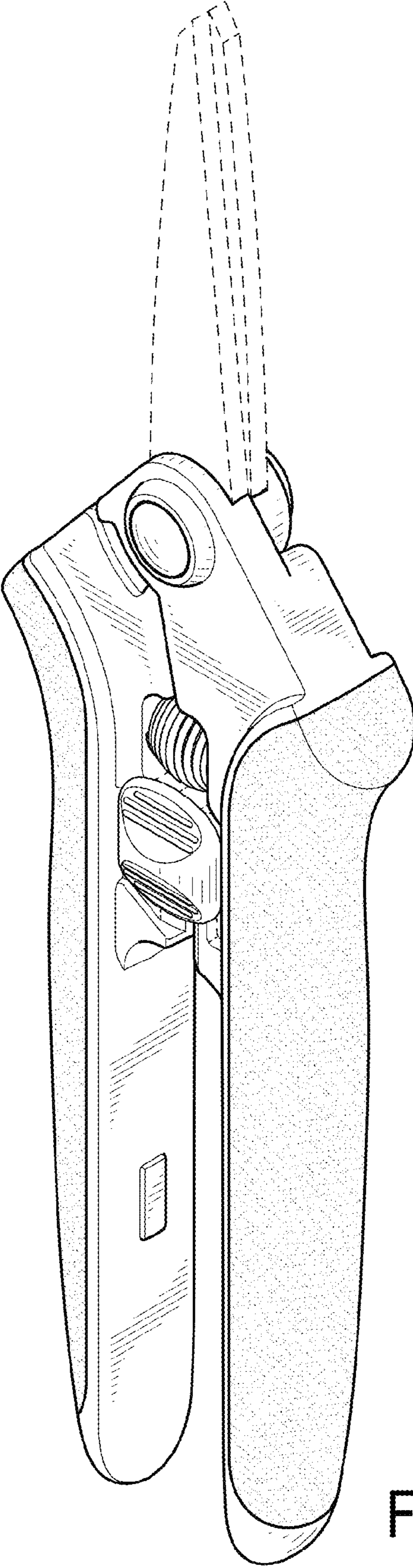


FIG. 1

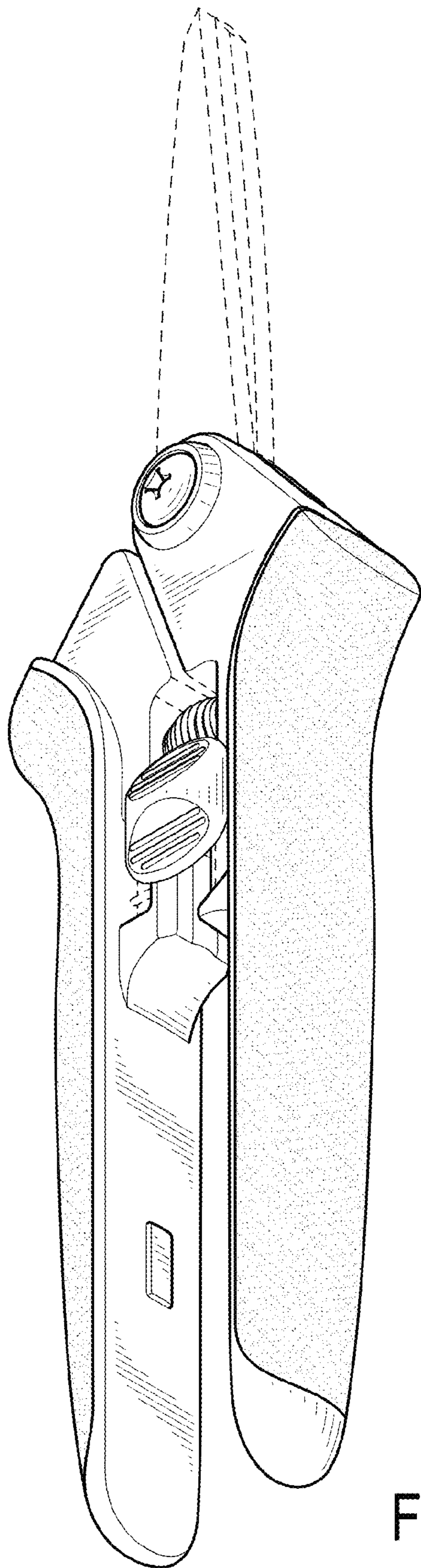


FIG. 2

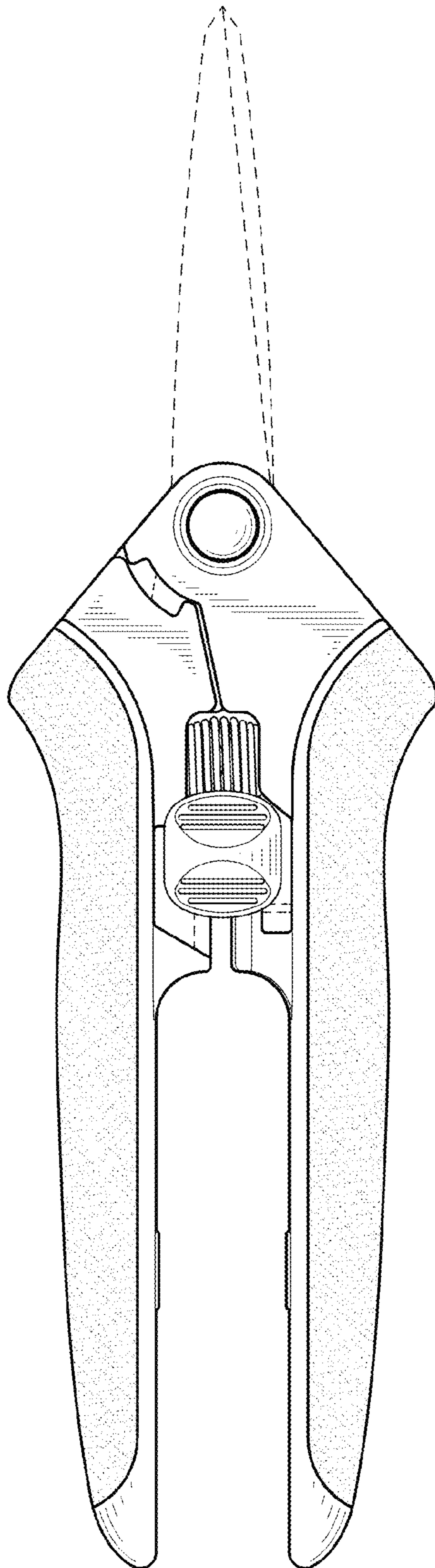


FIG. 3

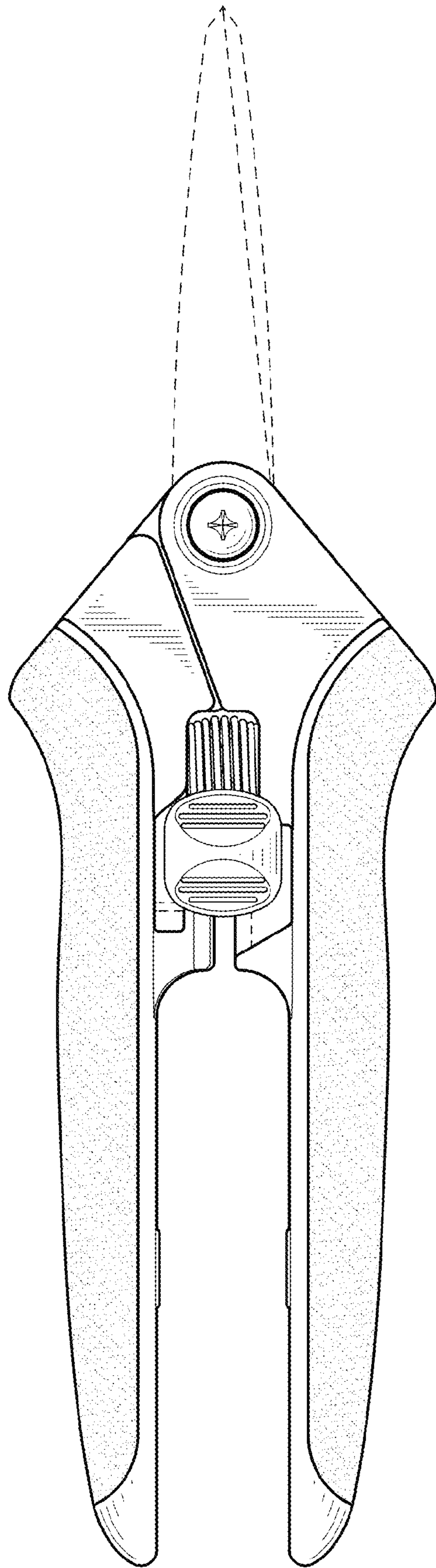


FIG. 4

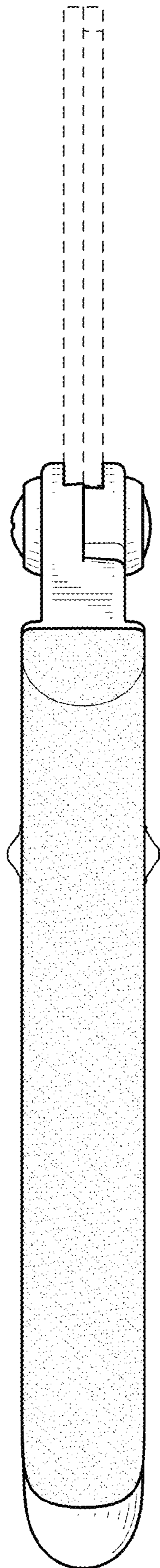


FIG. 5

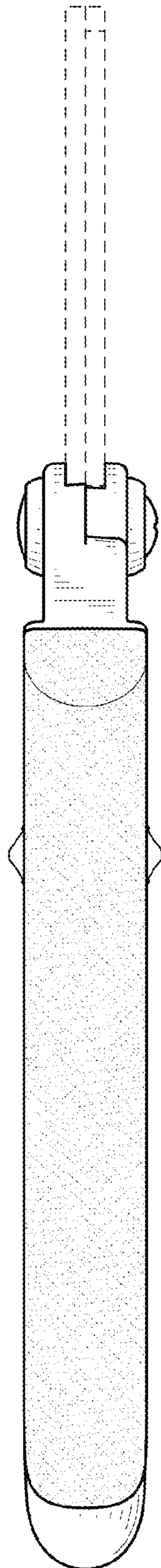


FIG. 6

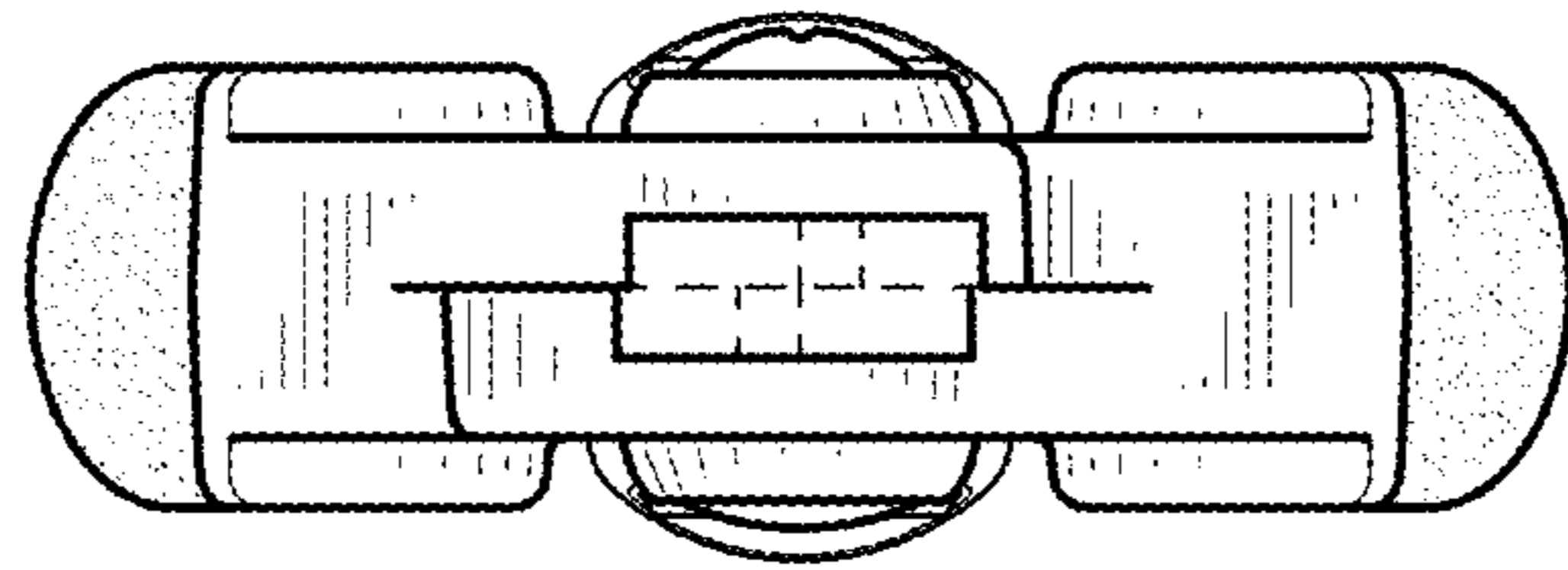


FIG. 7

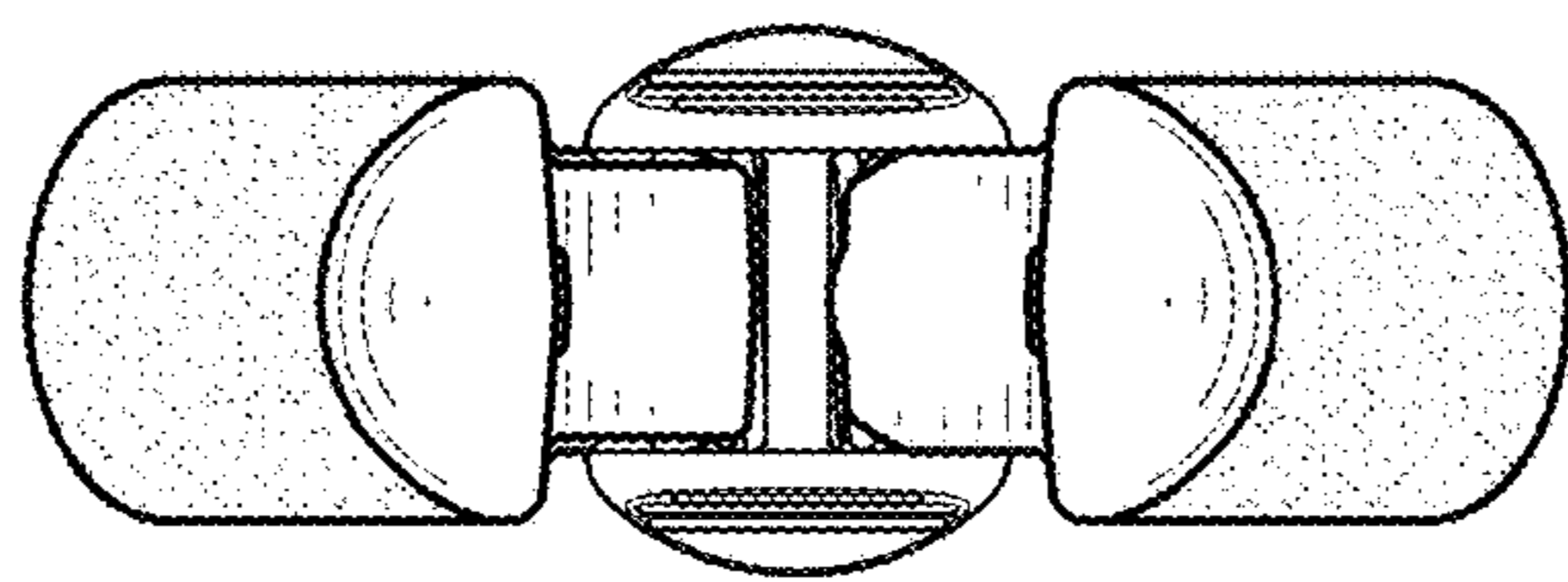


FIG. 8