



US00D775915S

(12) **United States Design Patent**  
**Robinson et al.**

(10) **Patent No.: US D775,915 S**

(45) **Date of Patent: \*\* \*Jan. 10, 2017**

- (54) **PLIERS**
- (71) Applicants: **Glenn Robinson**, Parkland, FL (US);  
**Rodrigo Lima**, Fort Lauderdale, FL (US)
- (72) Inventors: **Glenn Robinson**, Parkland, FL (US);  
**Rodrigo Lima**, Fort Lauderdale, FL (US)

D447,027 S *	8/2001	Lin	.....	D8/52
6,694,848 B1 *	2/2004	Flavigny	.....	B25B 7/10 81/357
8,561,506 B2 *	10/2013	Buchanan	.....	B25B 7/10 81/378
D744,306 S *	12/2015	Peirce	.....	D8/52
9,242,350 B2 *	1/2016	Buchanan	.....	B25B 7/02
9,272,394 B2 *	3/2016	Buchanan	.....	B25B 7/14
2012/0297938 A1 *	11/2012	Lai	.....	B25B 7/04 81/356

(\*) Notice: This patent is subject to a terminal disclaimer.

(\*\*) Term: **14 Years**

(21) Appl. No.: **29/474,373**

(22) Filed: **Aug. 25, 2014**

(51) **LOC (10) Cl.** ..... **08-05**

(52) **U.S. Cl.**  
USPC ..... **D8/52**

(58) **Field of Classification Search**  
USPC ..... D8/4, 5, 51-56  
CPC ..... B25B 7/02; B25B 7/123; B25B 7/04  
See application file for complete search history.

(56) **References Cited**

**U.S. PATENT DOCUMENTS**

D416,457 S *	11/1999	Warner	.....	D8/52
D419,841 S *	2/2000	Wrigley	.....	D8/52
D422,863 S *	4/2000	Warner	.....	D8/52
D428,317 S *	7/2000	Lin	.....	D8/52
6,116,124 A *	9/2000	Ping	.....	B25B 7/10 81/319
6,199,458 B1 *	3/2001	Wrigley	.....	B25B 7/123 81/319

**OTHER PUBLICATIONS**

“SKIL 13320 Ratch-N-Lock 8” Ratcheting Locking Pliers” listing from www.amazon.com; <http://www.amazon.com/13320-Ratch-N-Lock-Ratcheting-Locking-Pliers/dp/B00I7VQHGA>. Retrieved Mar. 20, 2016.\*

\* cited by examiner

*Primary Examiner* — Deanna L Pratt

(74) *Attorney, Agent, or Firm* — Dan DeLaRosa

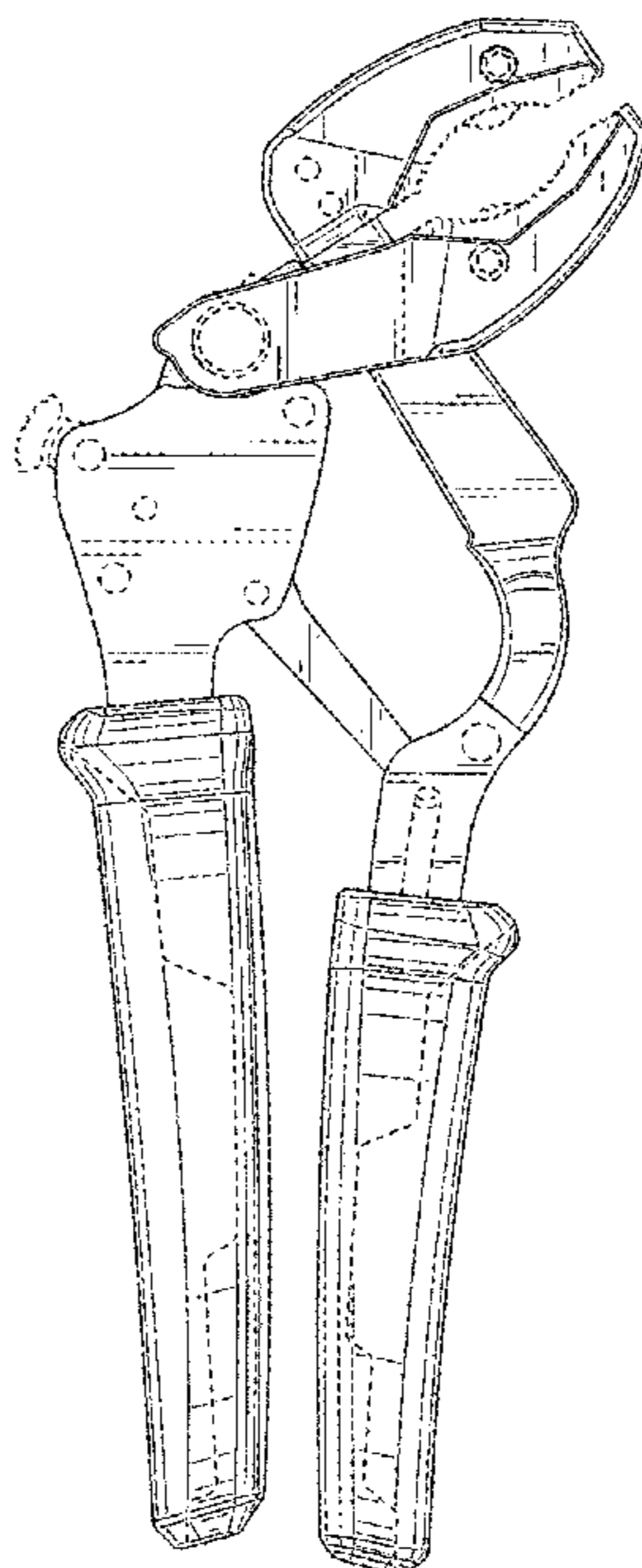
(57) **CLAIM**

The ornamental design for pliers, as shown and described.

**DESCRIPTION**

FIG. 1 is a perspective view of the pliers of the present invention showing my new design;  
FIG. 2 is a side elevational view thereof;  
FIG. 3 is a another side elevational view thereof;  
FIG. 4 is a front side elevational view thereof;  
FIG. 5 is back side elevational view thereof;  
FIG. 6 is a top plan view thereof; and,  
FIG. 7 is a bottom plan view thereof.  
The broken lines in the drawings illustrate portions of the pliers that form no part of the claimed design.

**1 Claim, 5 Drawing Sheets**



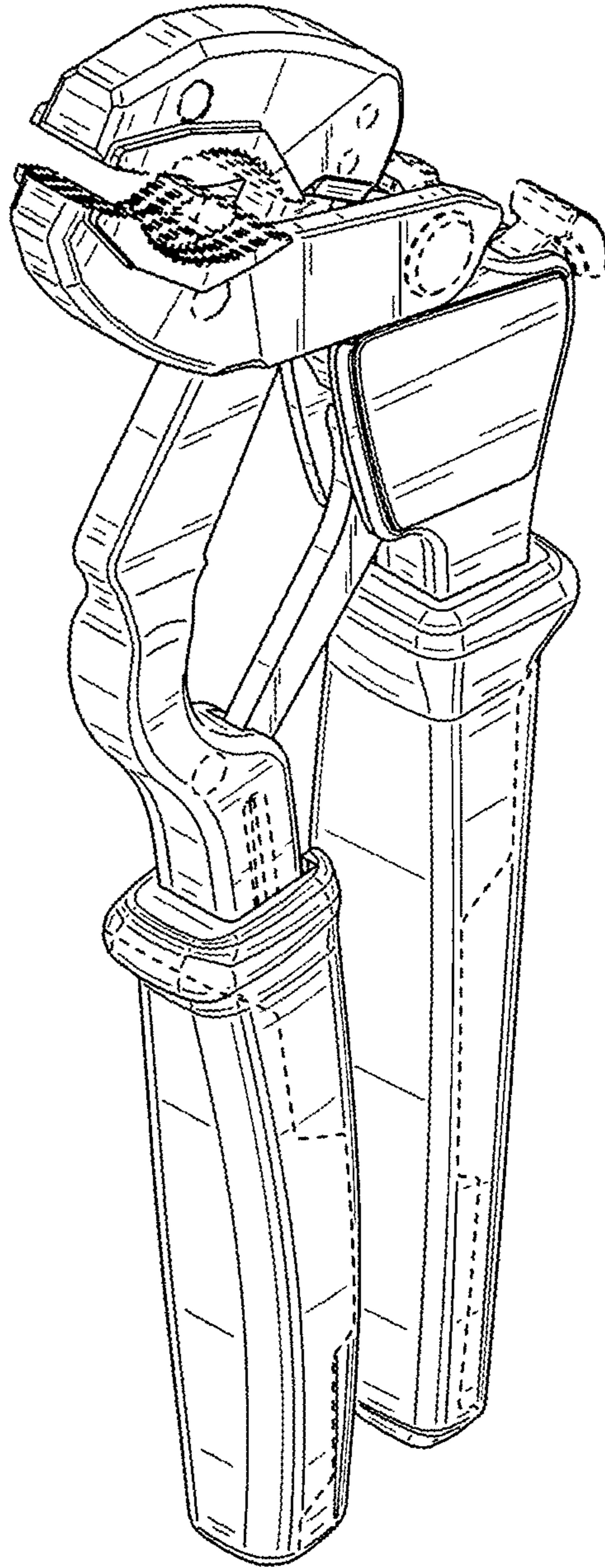


FIG. 1

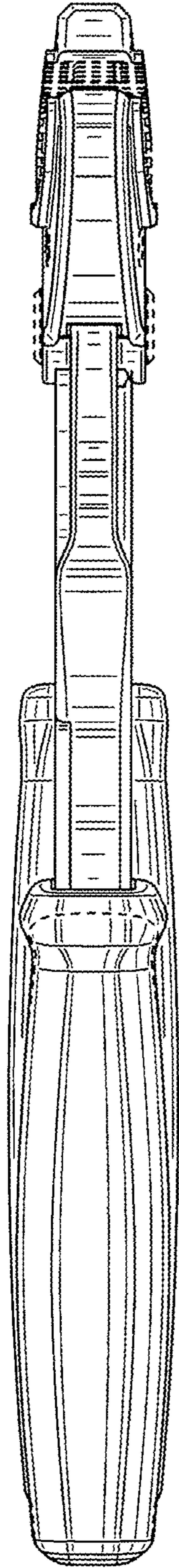


FIG. 2

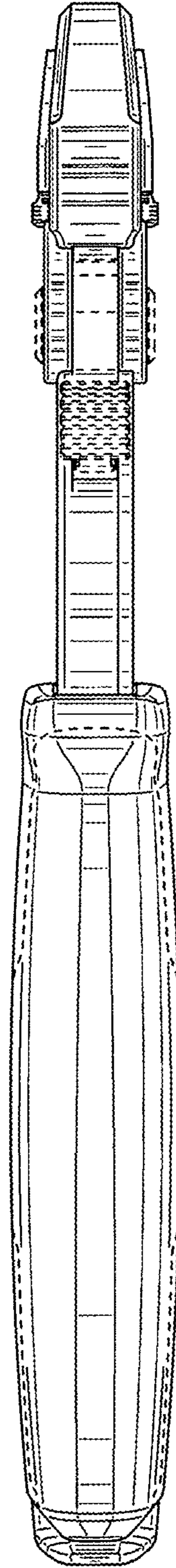


FIG. 3



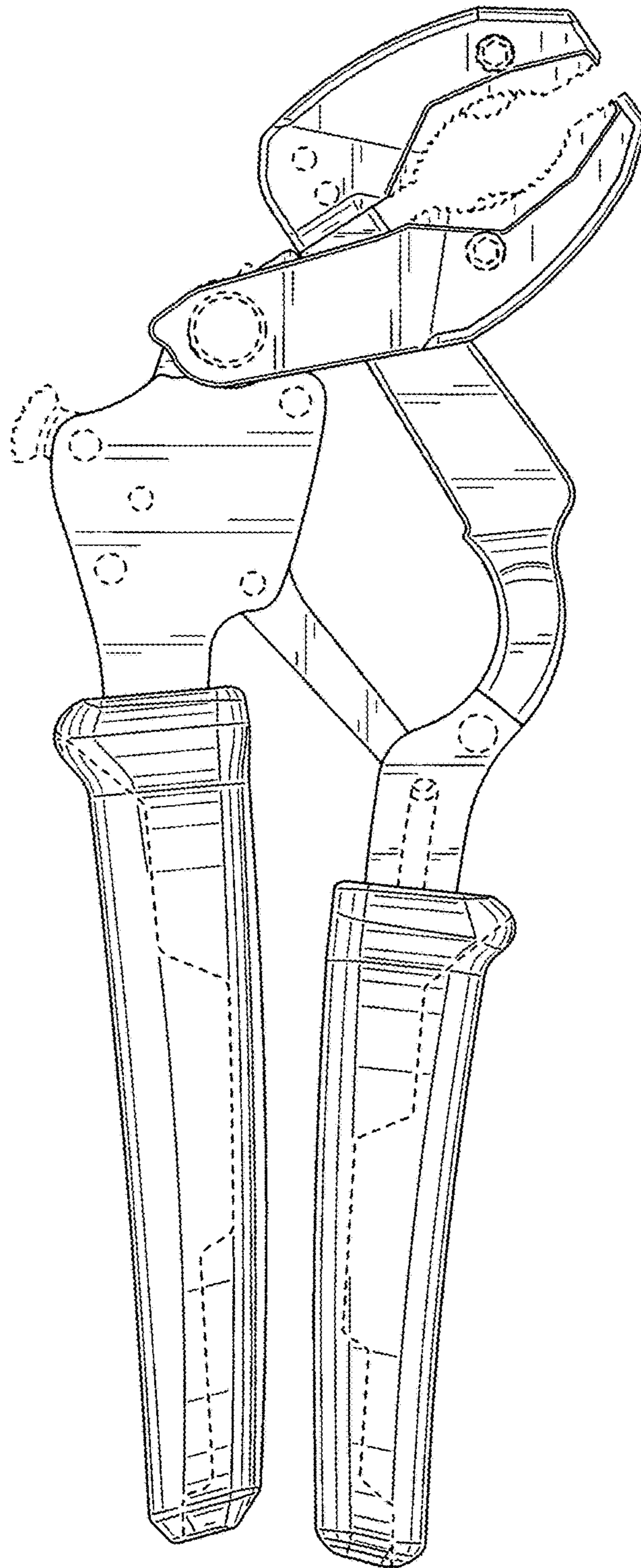


FIG. 4

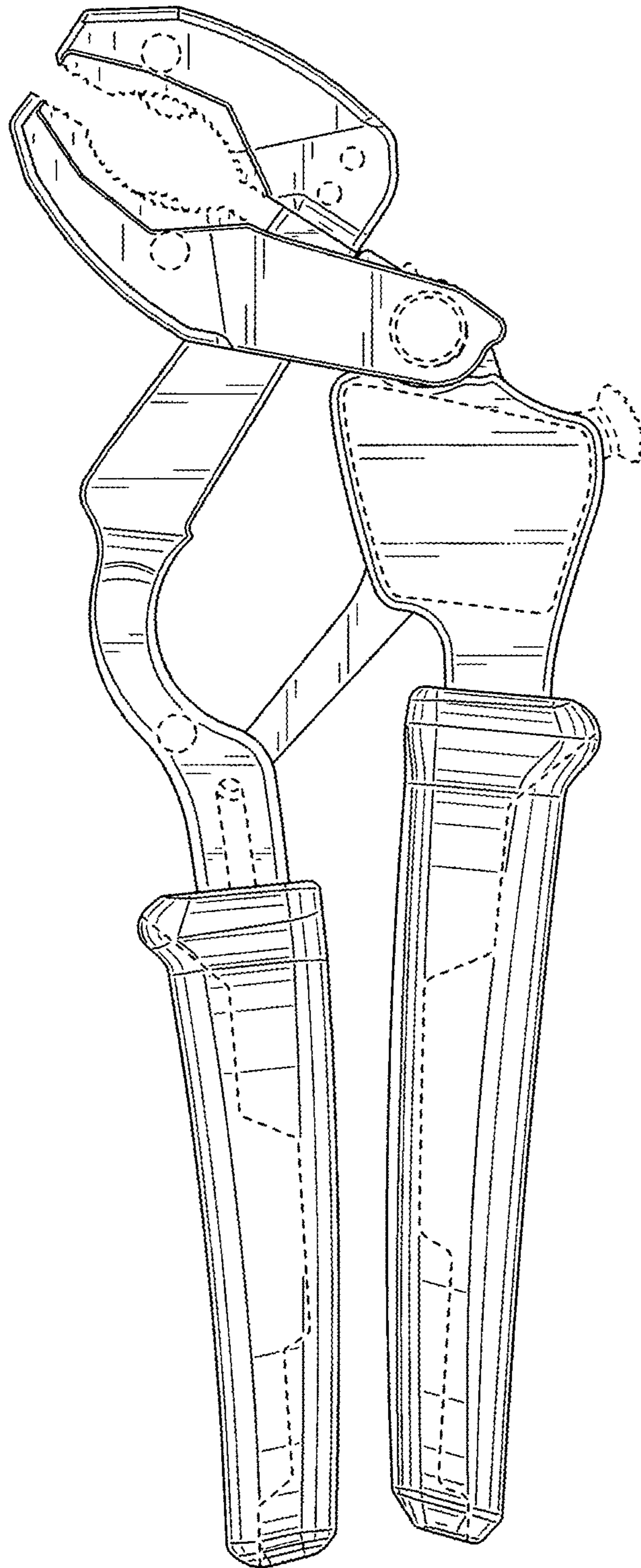


FIG. 5

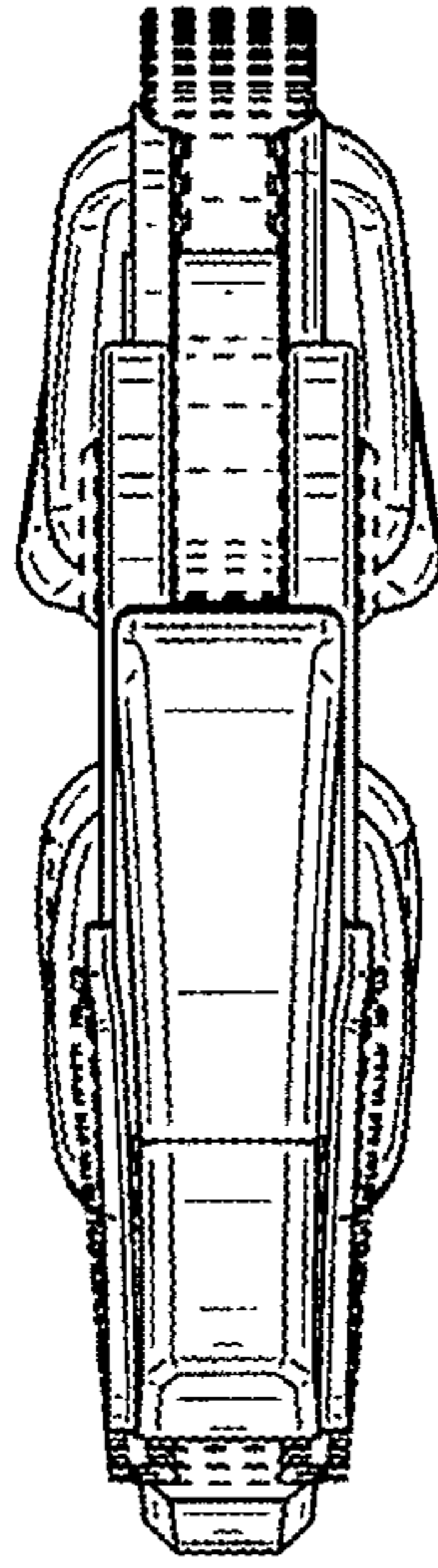


FIG. 6

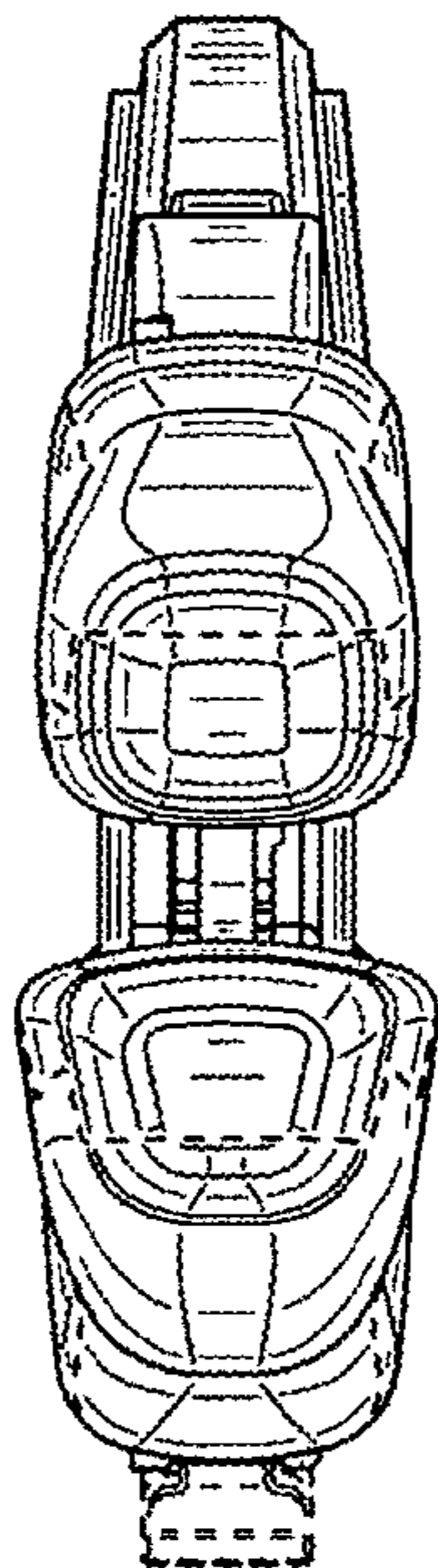


FIG. 7