



US00D775913S

(12) **United States Design Patent**
Knirr

(10) **Patent No.:** **US D775,913 S**
(45) **Date of Patent:** **** Jan. 10, 2017**

(54) **CORK REMOVER**

(71) Applicant: **Aaron Knirr**, Eureka, MO (US)

(72) Inventor: **Aaron Knirr**, Eureka, MO (US)

(**) Term: **15 Years**

(21) Appl. No.: **29/529,626**

(22) Filed: **Jun. 9, 2015**

(51) **LOC (10) Cl.** **07-99**

(52) **U.S. Cl.**
USPC **D8/38**

(58) **Field of Classification Search**

USPC D8/16, 18, 19, 33-43, 98, 100; D7/506,
D7/514, 515, 539, 604, 613, 619.2, 628,
D7/710; D9/668; D11/157
CPC B67B 7/00; B67B 7/14; B67B 7/16;
B67B 7/18; B67B 7/20; B67B 7/24; B67B
7/44; B67B 3/00

See application file for complete search history.

(56) **References Cited**

U.S. PATENT DOCUMENTS

D228,328 S *	9/1973	Schley	D21/712
D231,586 S *	5/1974	Lazo de la Vega	D3/238
D251,284 S *	3/1979	Weaver	D7/710
D310,137 S *	8/1990	Mays	D21/712
D332,741 S *	1/1993	Turner	473/596
D340,078 S *	10/1993	Turner	D11/149
D370,154 S *	5/1996	Gruneisen, III	D7/301
D377,998 S *	2/1997	Dunn	D28/67
5,662,241 A *	9/1997	Sorensen	B65D 23/001 220/630
D481,162 S *	10/2003	Lin	D21/712
D484,082 S *	12/2003	Burden	D12/204
D504,163 S *	4/2005	Williams-Nicholas	D21/405
D518,596 S *	4/2006	Angeletta	D28/7
D522,710 S *	6/2006	Beacham	D99/37

D538,238 S *	3/2007	Alker	D13/174
D550,393 S *	9/2007	VanderSchuit	D26/125
D565,288 S *	4/2008	Hickman	D3/201
D575,079 S *	8/2008	Hirsh	D6/665
D587,968 S *	3/2009	Campbell	D7/510
D604,086 S *	11/2009	Lipinski	D7/301
D609,987 S *	2/2010	Moman	D21/712
D621,657 S *	8/2010	Quinn	D7/507
D627,233 S *	11/2010	Blakeman	D9/668
D666,048 S *	8/2012	Kasswan	D7/301
D684,493 S *	6/2013	Castle	D10/119.4
D685,127 S *	6/2013	Reich	D26/104
D698,696 S *	2/2014	McBurney	D11/157
D710,154 S *	8/2014	Marini	D7/515
D749,458 S *	2/2016	Vaughan	D11/81
9,408,779 B2 *	8/2016	Stewart	A61J 9/06

* cited by examiner

Primary Examiner — Elizabeth Albert
(74) *Attorney, Agent, or Firm* — QuickPatents, LLC;
Kevin Prince

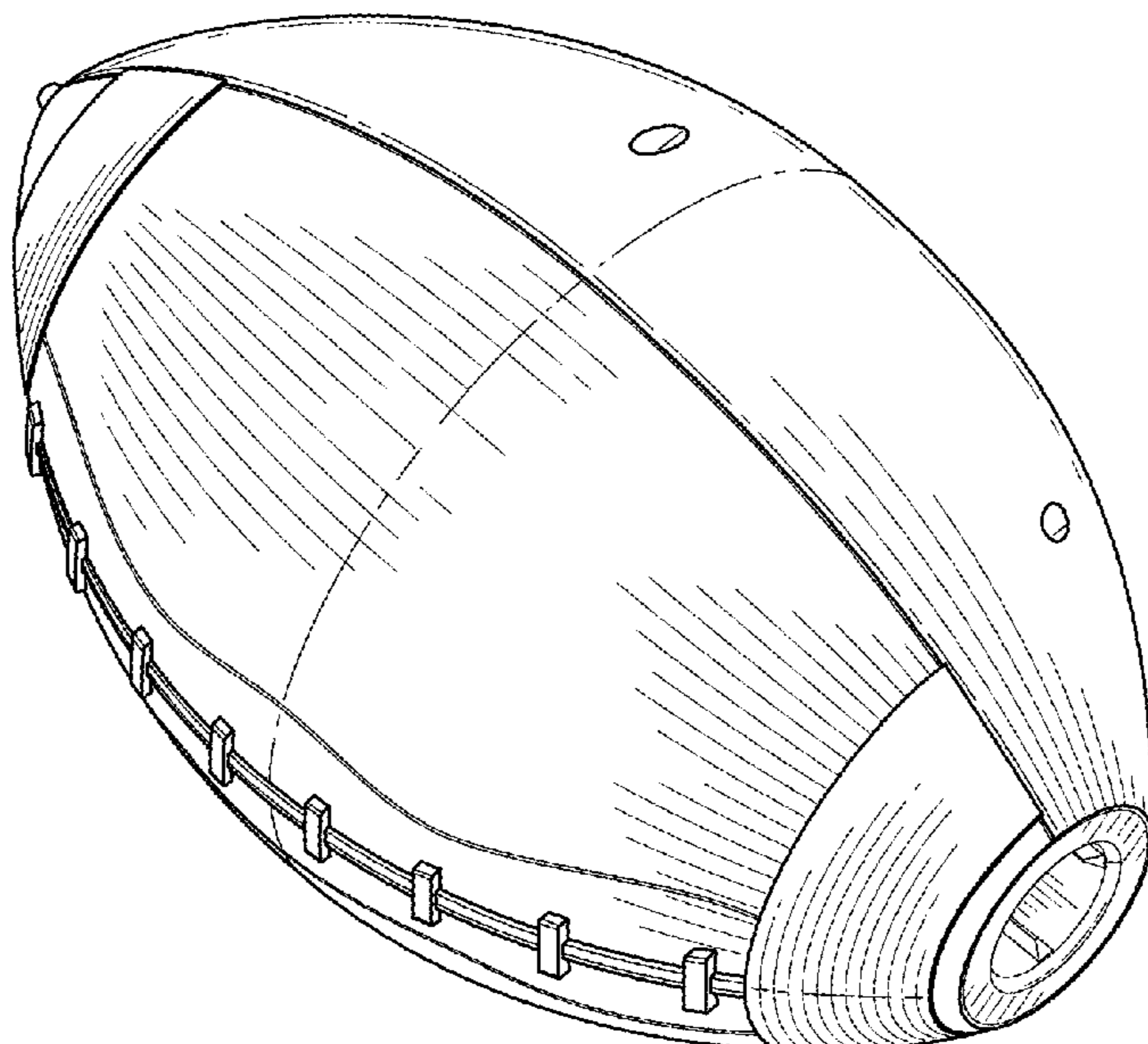
(57) **CLAIM**

I claim the ornamental design for a cork remover, as shown and described.

DESCRIPTION

FIG. 1 is a top perspective view of a cork remover, showing my new design;
FIG. 2 is a bottom perspective view thereof;
FIG. 3 is a front elevational view thereof;
FIG. 4 is a rear elevational view thereof;
FIG. 5 is a right-side elevational view thereof, the left-side elevational view being a mirror image thereof;
FIG. 6 is a top plan view thereof; and,
FIG. 7 is a bottom plan view thereof.
The broken lines in FIG. 7 are included to show features that form no part of the claimed design.

1 Claim, 3 Drawing Sheets



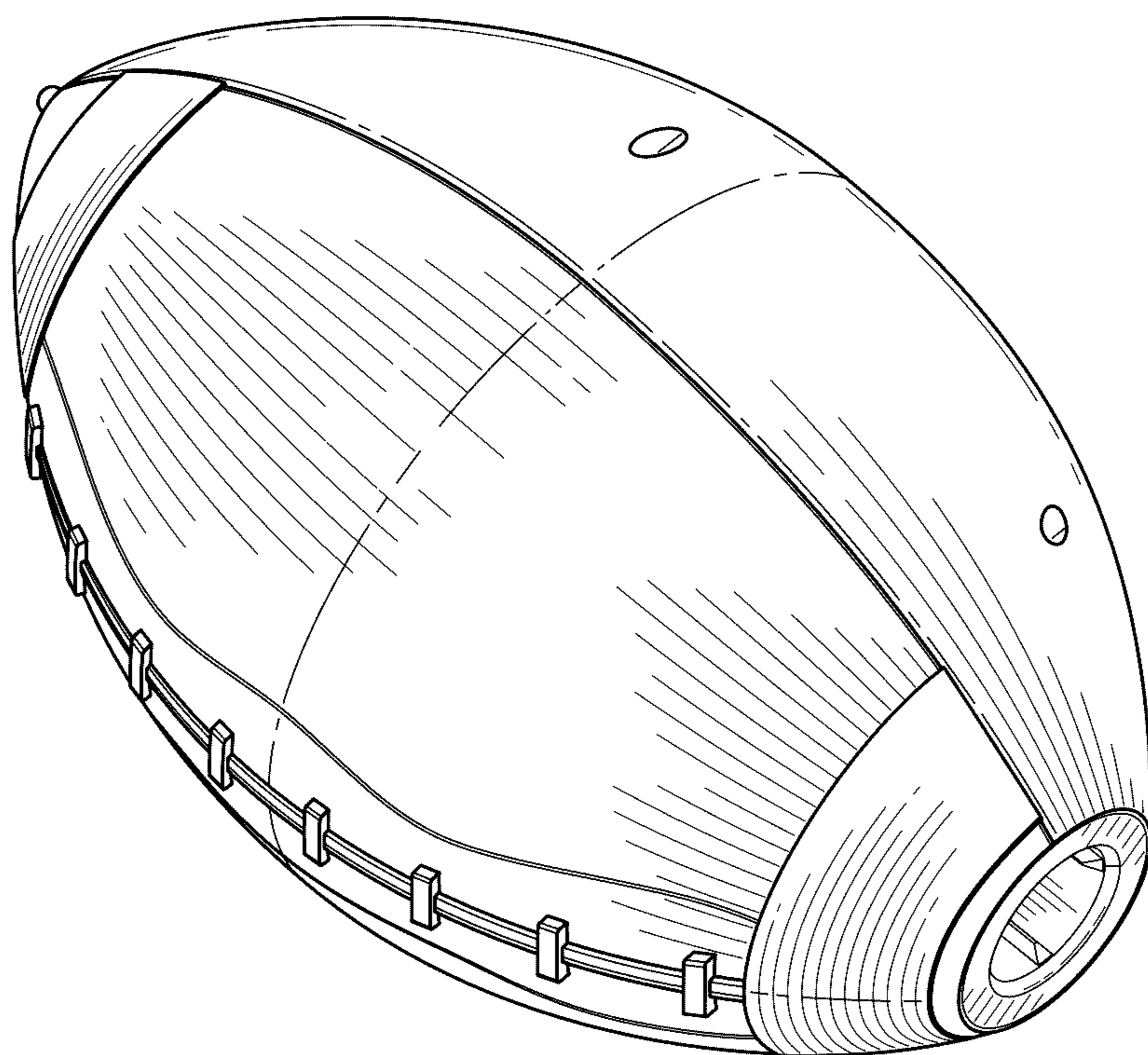


FIG. 1

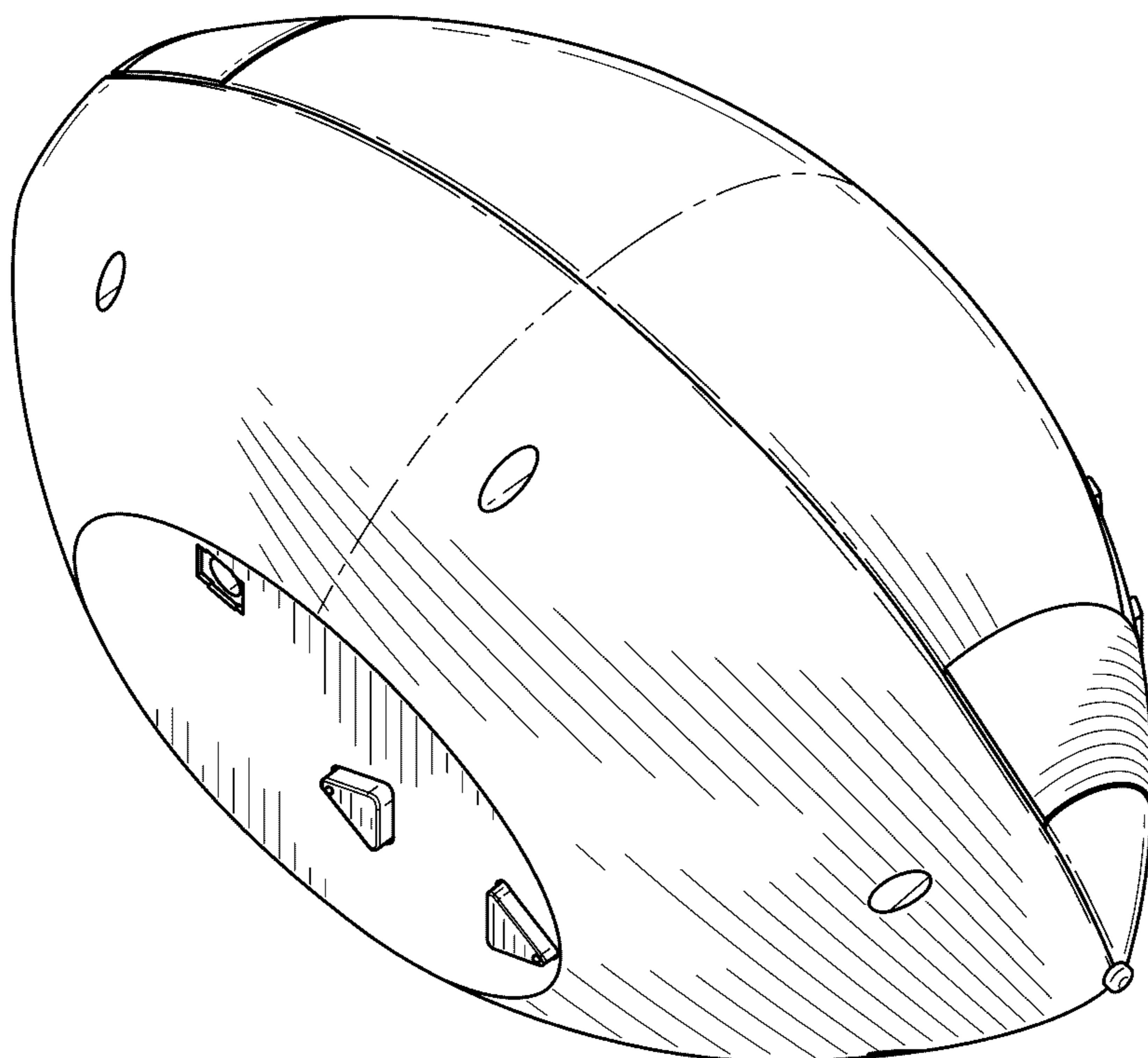


FIG. 2

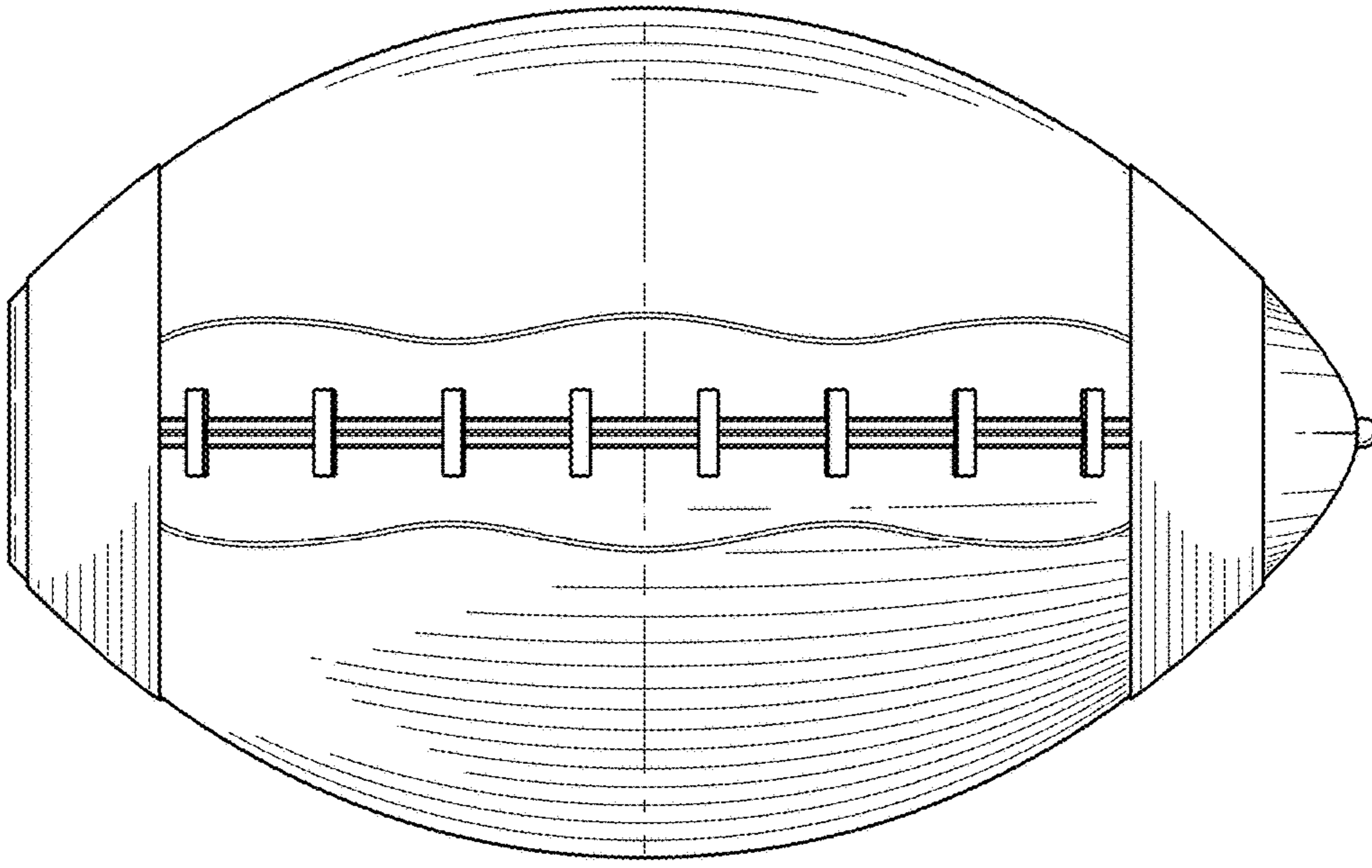


FIG. 3

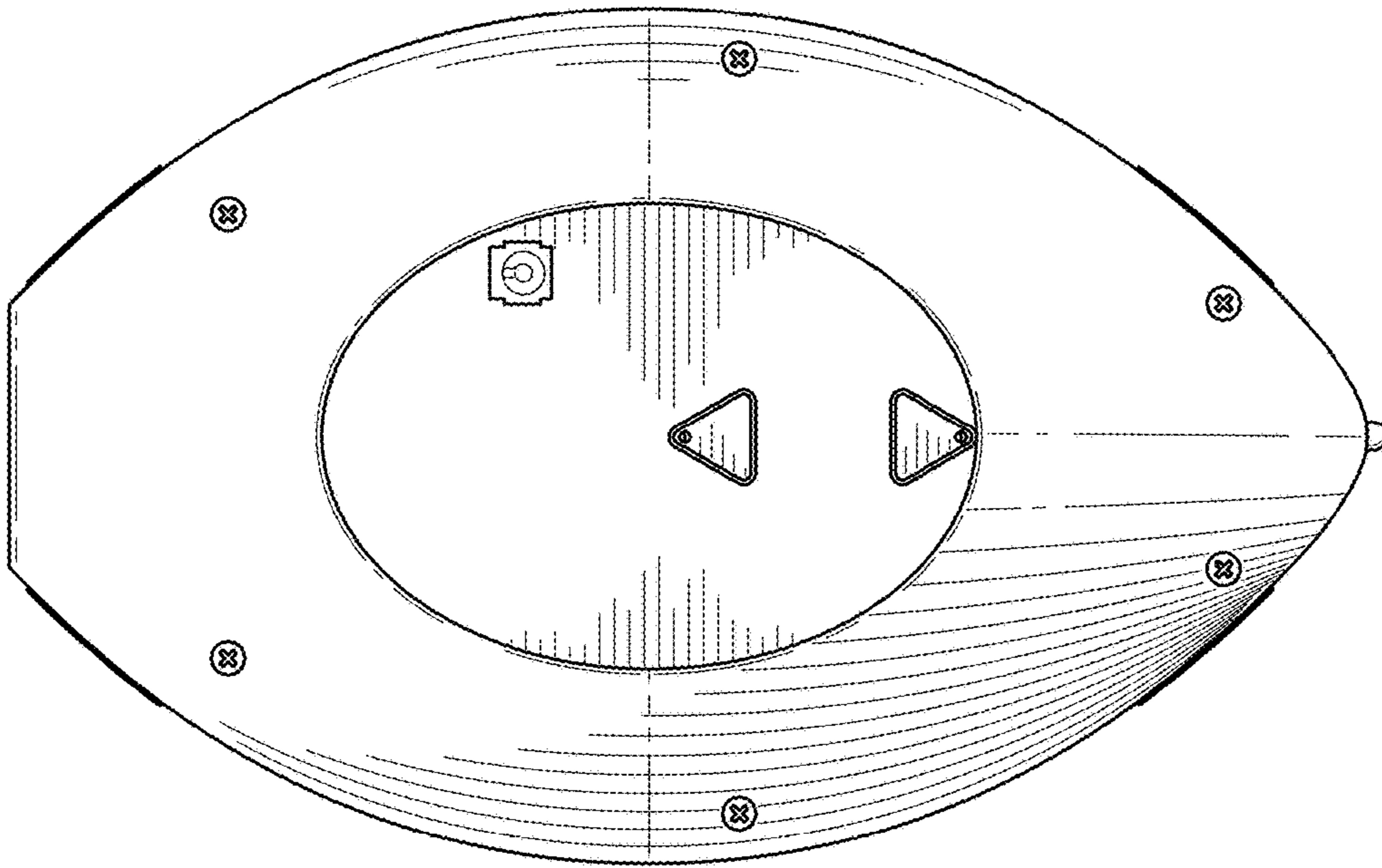


FIG. 4

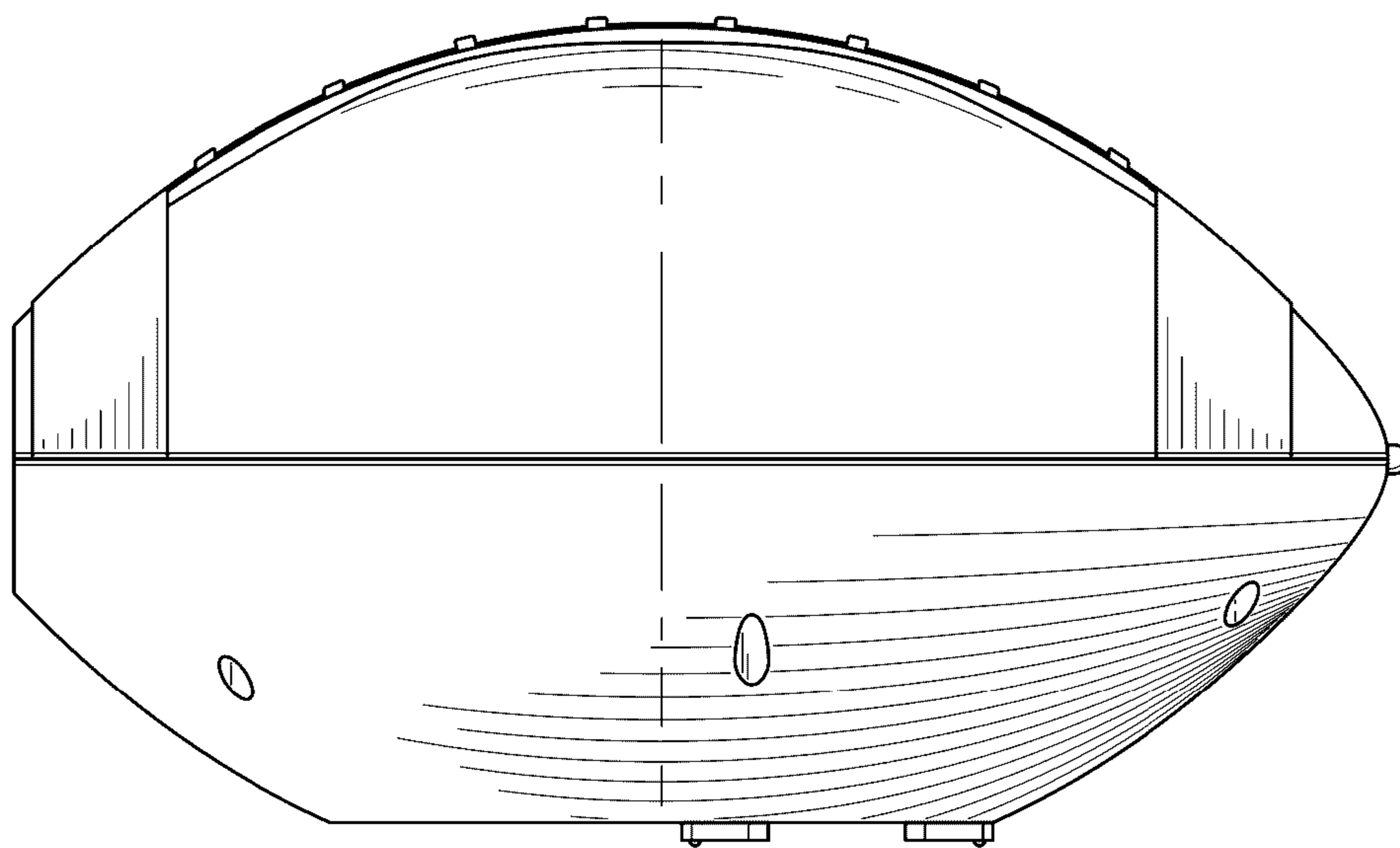


FIG. 5

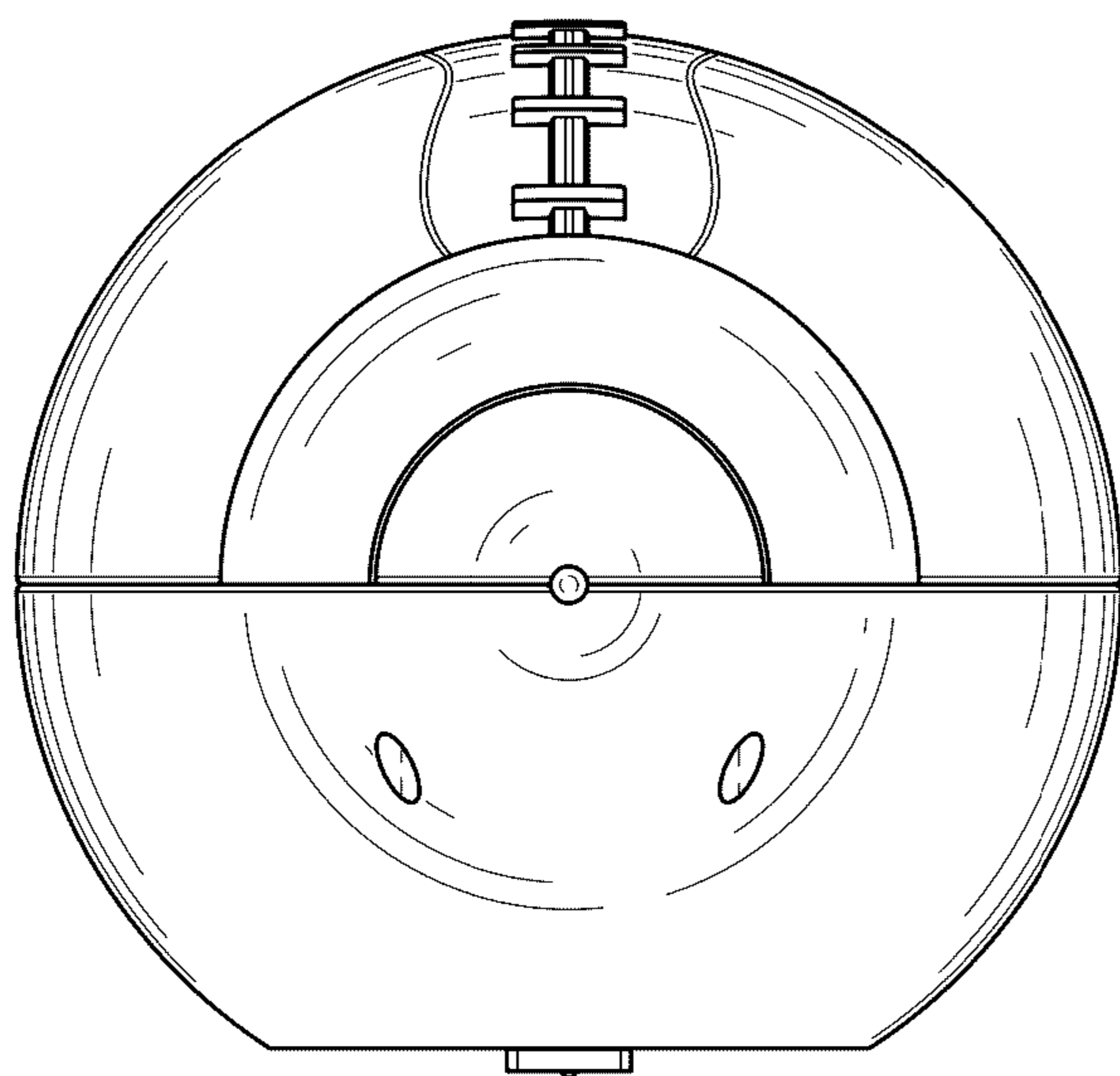


FIG. 6

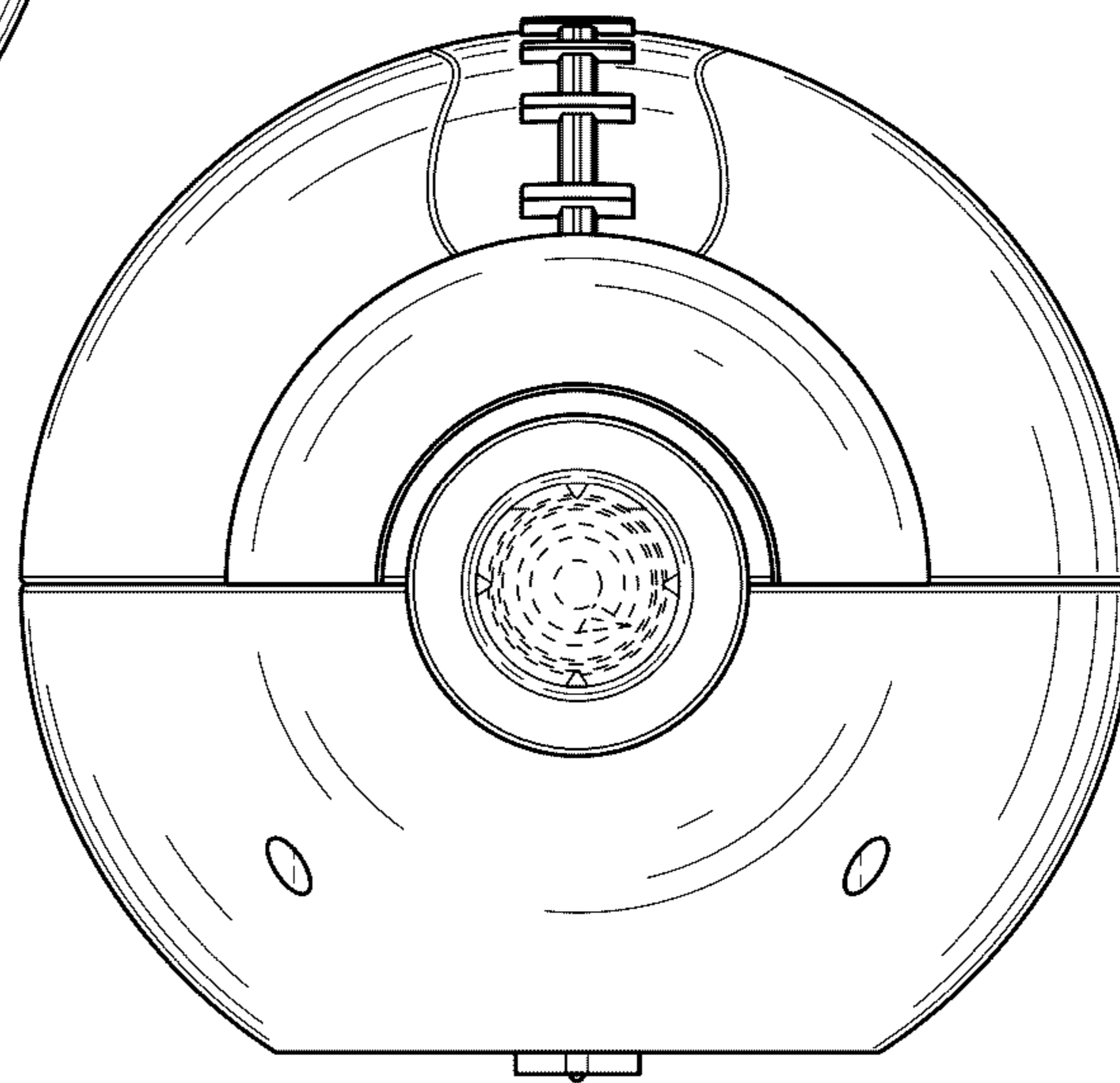


FIG. 7