



US00D775912S

(12) **United States Design Patent**
Chen

(10) **Patent No.:** **US D775,912 S**
(45) **Date of Patent:** **** Jan. 10, 2017**

- (54) **SWITCH KNOB FOR RATCHET WRENCH**
- (71) Applicant: **Chia-Yu Chen**, Taichung (TW)
- (72) Inventor: **Chia-Yu Chen**, Taichung (TW)
- (**) Term: **15 Years**
- (21) Appl. No.: **29/546,696**
- (22) Filed: **Nov. 24, 2015**
- (51) **LOC (10) Cl.** **08-05**
- (52) **U.S. Cl.**
USPC **D8/25**
- (58) **Field of Classification Search**
USPC D8/70, 71; D15/138, 139, 140; D23/262;
82/158; 279/19.3, 19.5; 299/10, 104;
407/64, 99, 101, 102, 117; 408/143, 144,
408/223, 226, 239, 240
CPC B25B 13/48; B25B 13/02; B25B 13/04
See application file for complete search history.

- 6,722,234 B2 * 4/2004 Hu B25B 13/468
192/43.2
- 6,732,614 B2 * 5/2004 Hu B25B 13/463
81/60
- D666,466 S * 9/2012 Gresham D8/25

* cited by examiner

Primary Examiner — Randall Gholson
(74) *Attorney, Agent, or Firm* — Ming Chow; Sinorica, LLC

(57) **CLAIM**

I claim the ornamental design for a switch knob for ratchet wrench, as shown and described.

DESCRIPTION

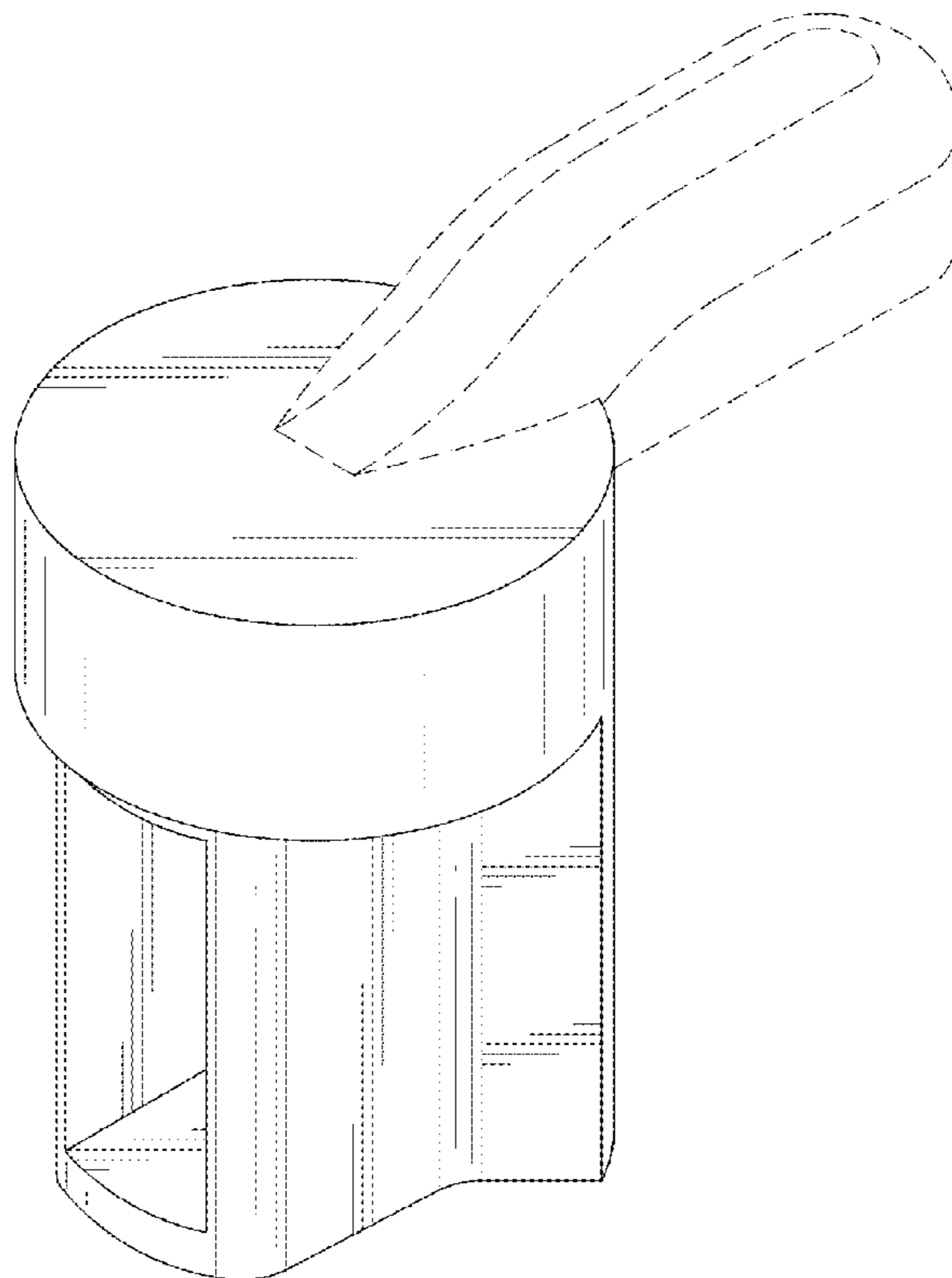
FIG. 1 is a front perspective view of a switch knob for ratchet wrench showing my new design;
 FIG. 2 is a front elevational view thereof;
 FIG. 3 is a rear elevational view thereof;
 FIG. 4 is a left side elevational view thereof;
 FIG. 5 is a right side elevational view thereof;
 FIG. 6 is a top plan view thereof;
 FIG. 7 is a bottom plan view thereof; and,
 FIG. 8 is a front end view of the switch knob for ratchet wrench in accordance with my design, shown in its environment thereof.
 The broken lines are for the purpose of illustrating environmental structure and form no part of the claimed design.

(56) **References Cited**

U.S. PATENT DOCUMENTS

- 6,575,060 B1 * 6/2003 Tseng B25B 13/463
81/60
- 6,609,444 B1 * 8/2003 Hsien B25B 13/463
81/63
- 6,666,112 B2 * 12/2003 Hu B25B 13/463
192/43.2

1 Claim, 5 Drawing Sheets



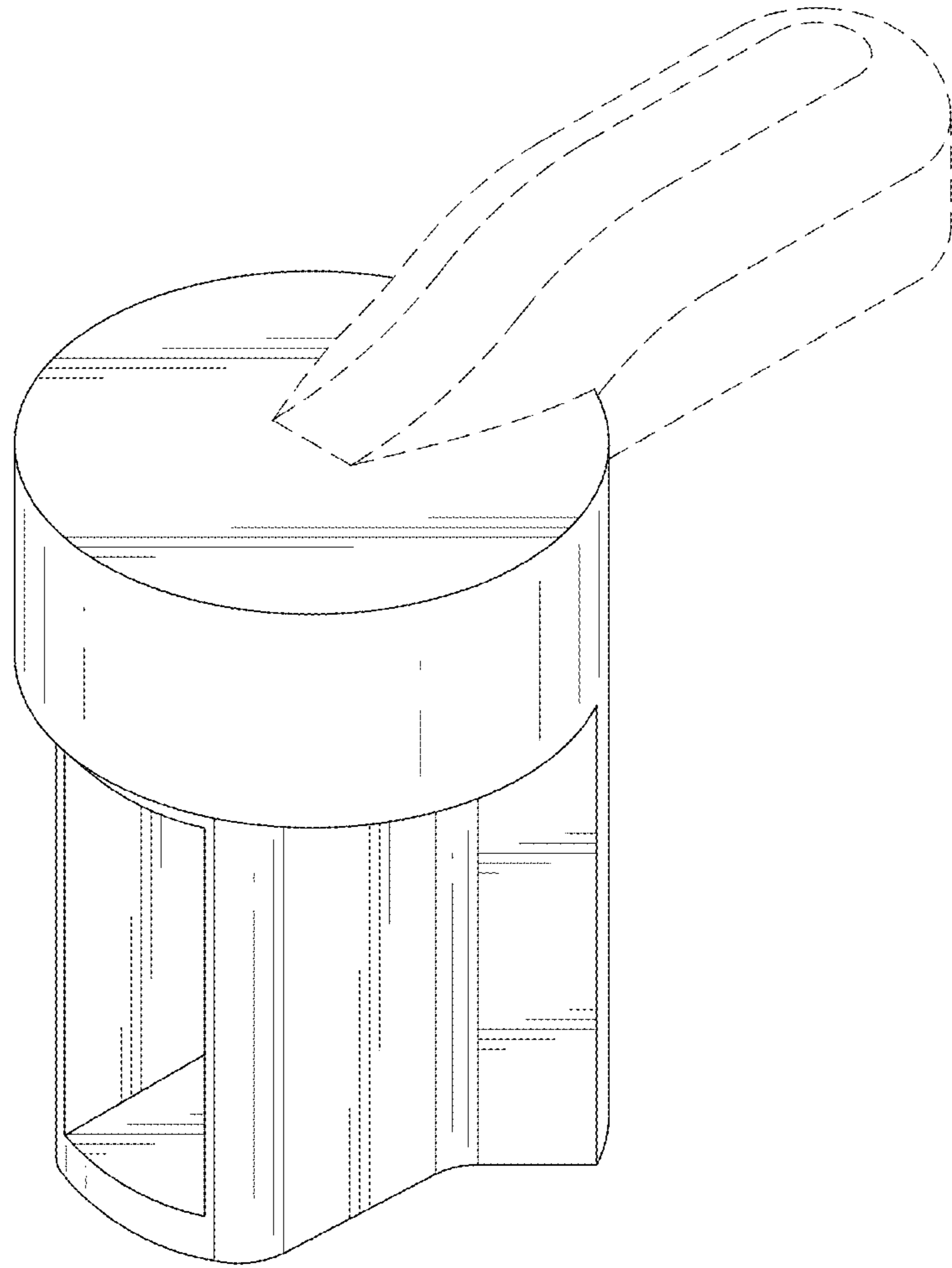


FIG. 1

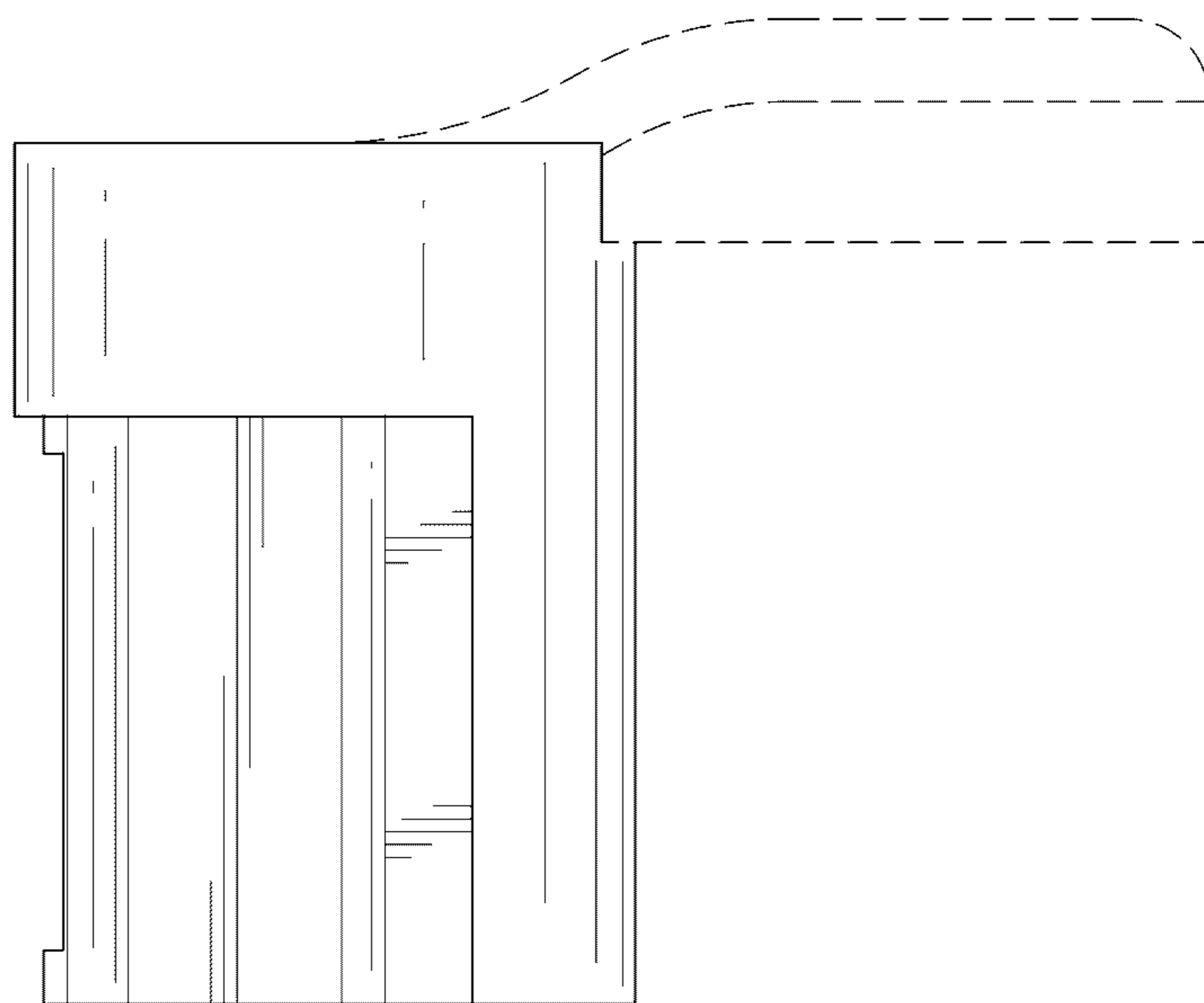


FIG. 2

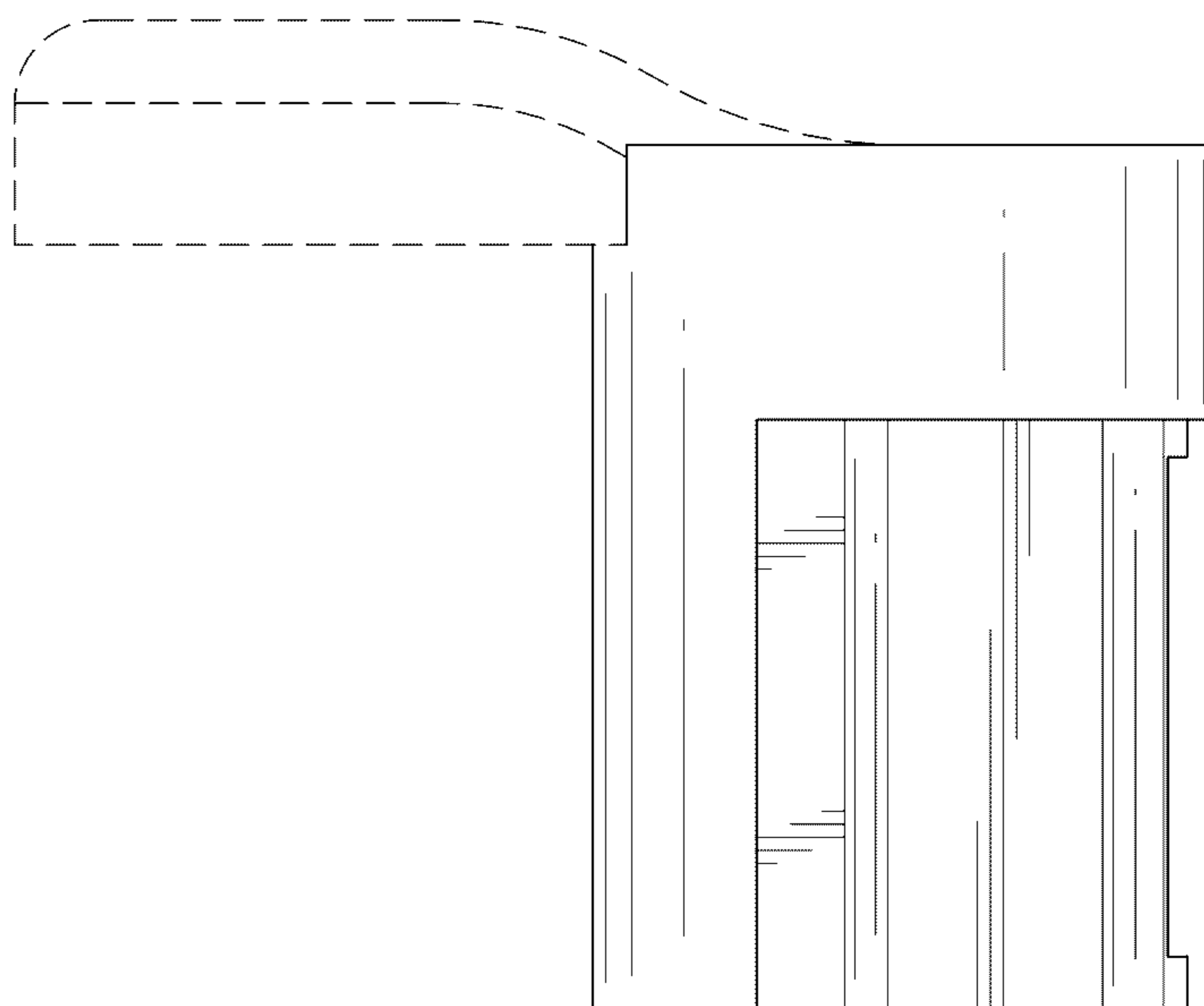


FIG. 3

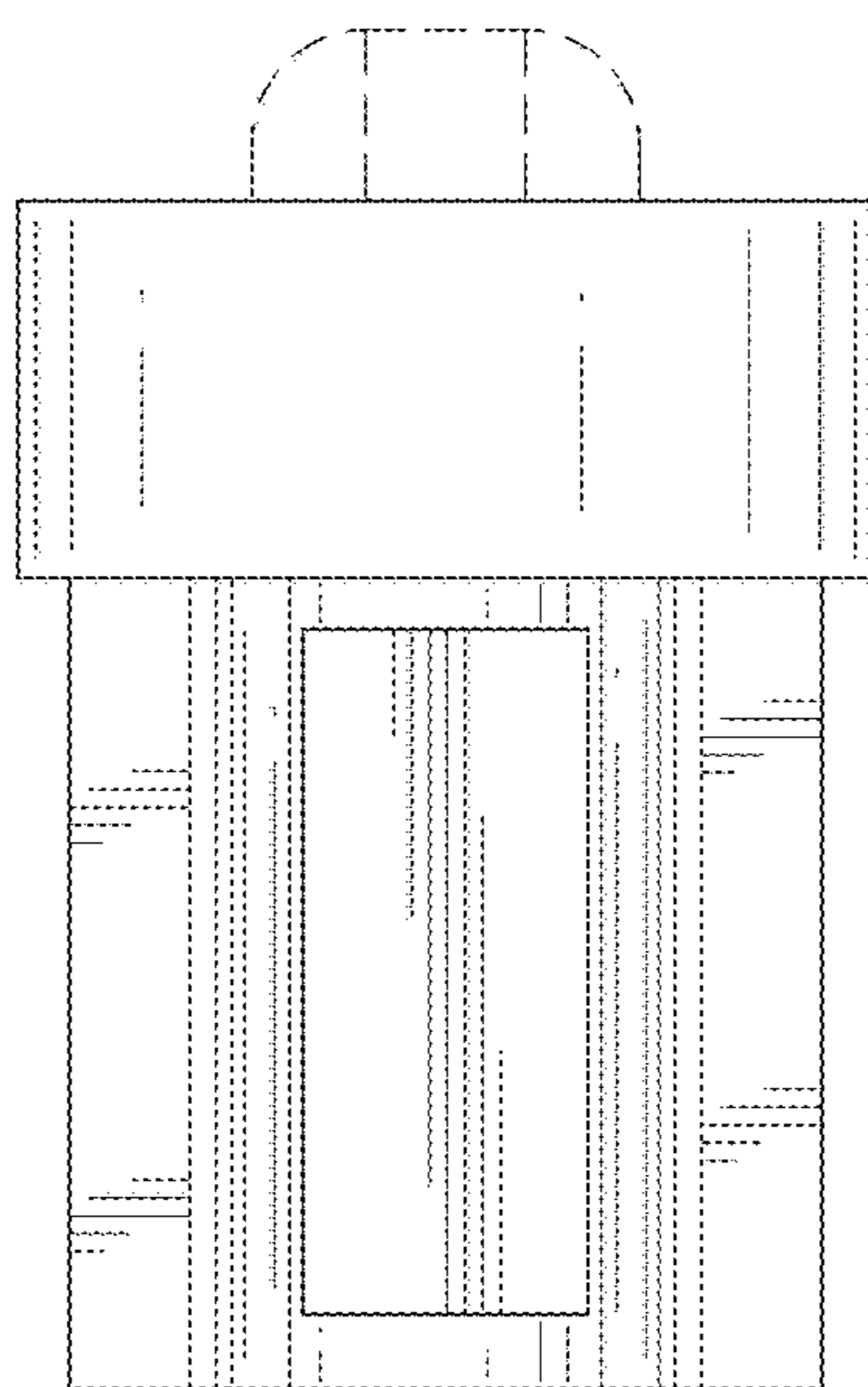


FIG. 4

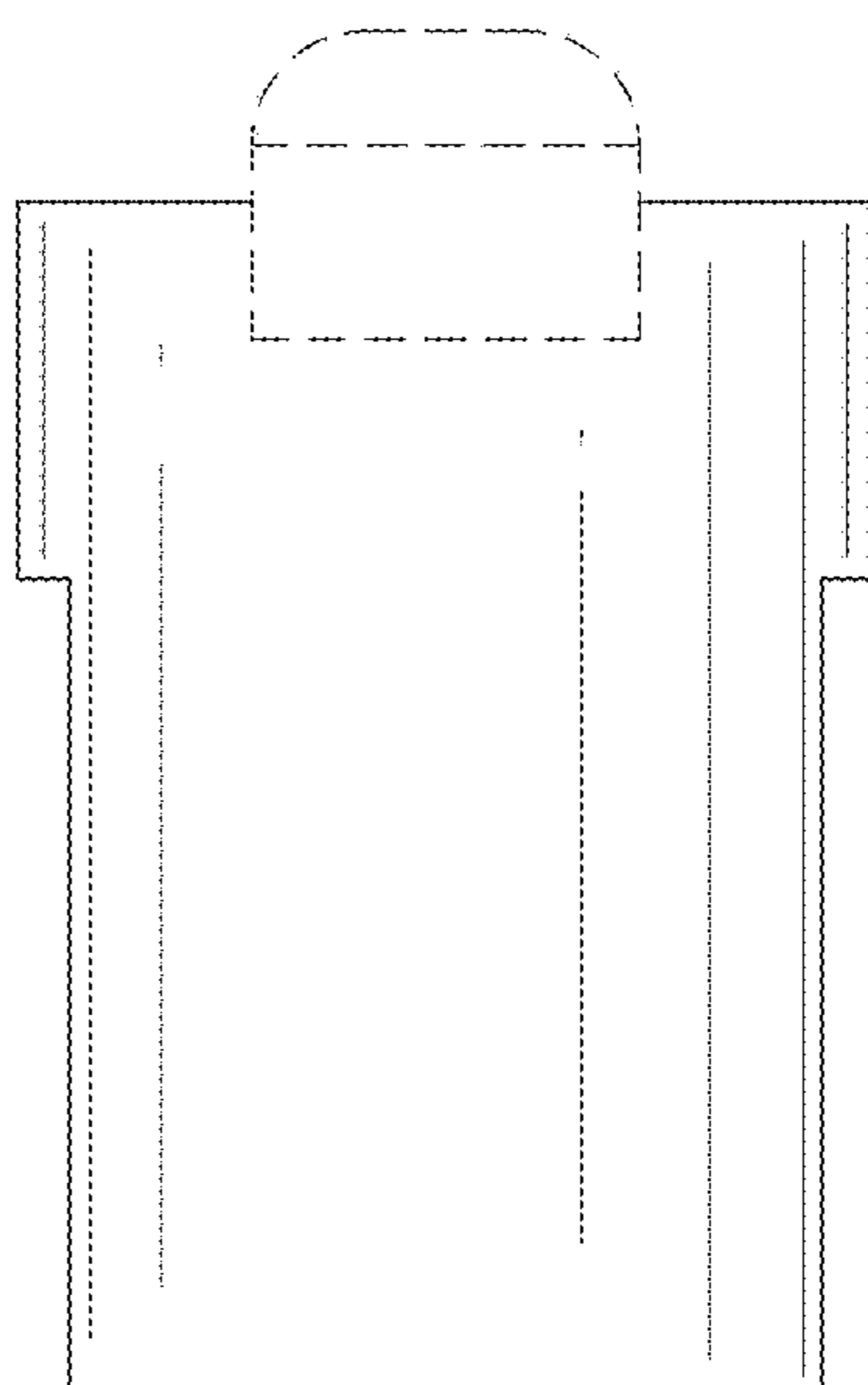


FIG. 5

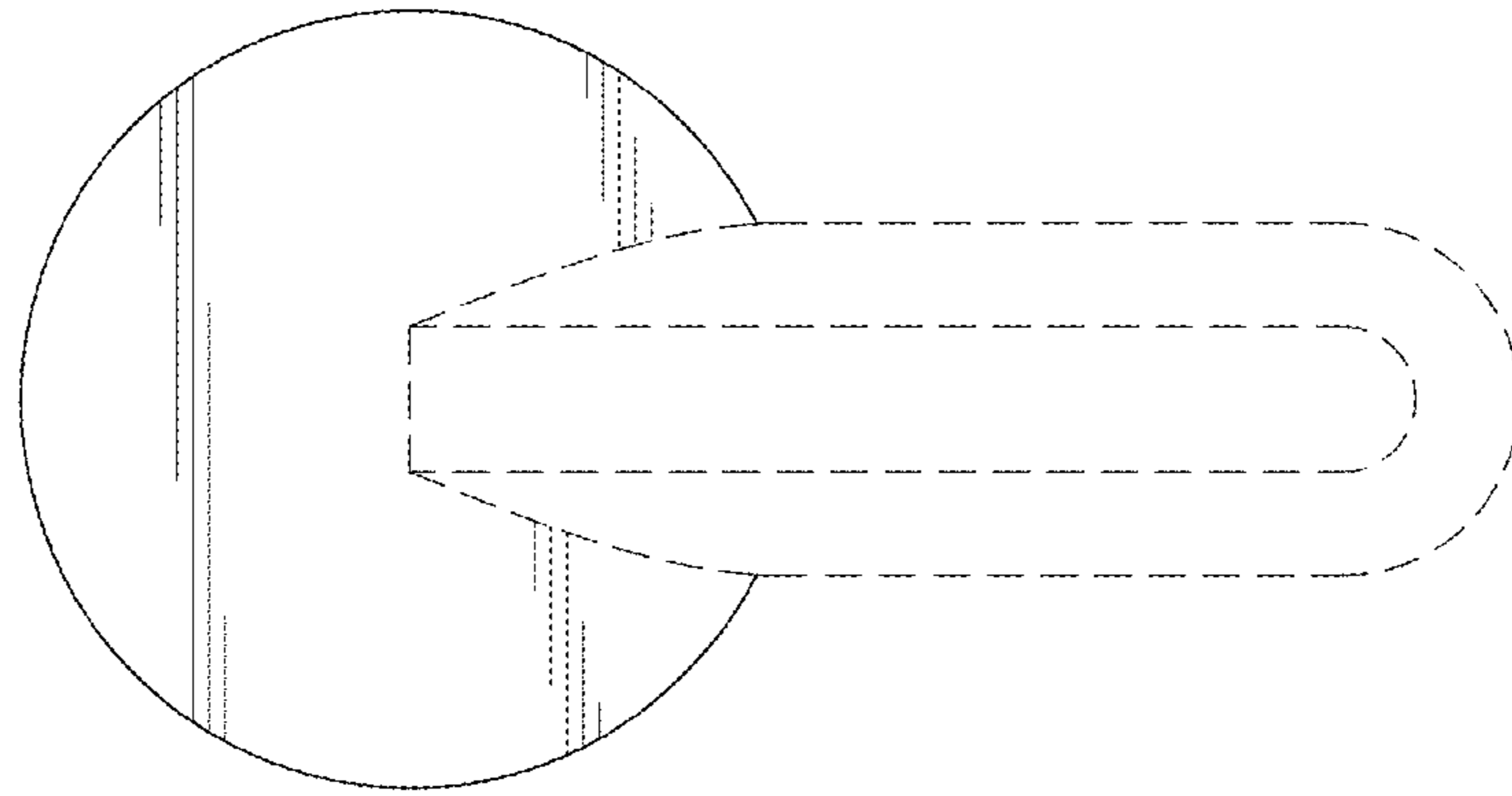


FIG. 6

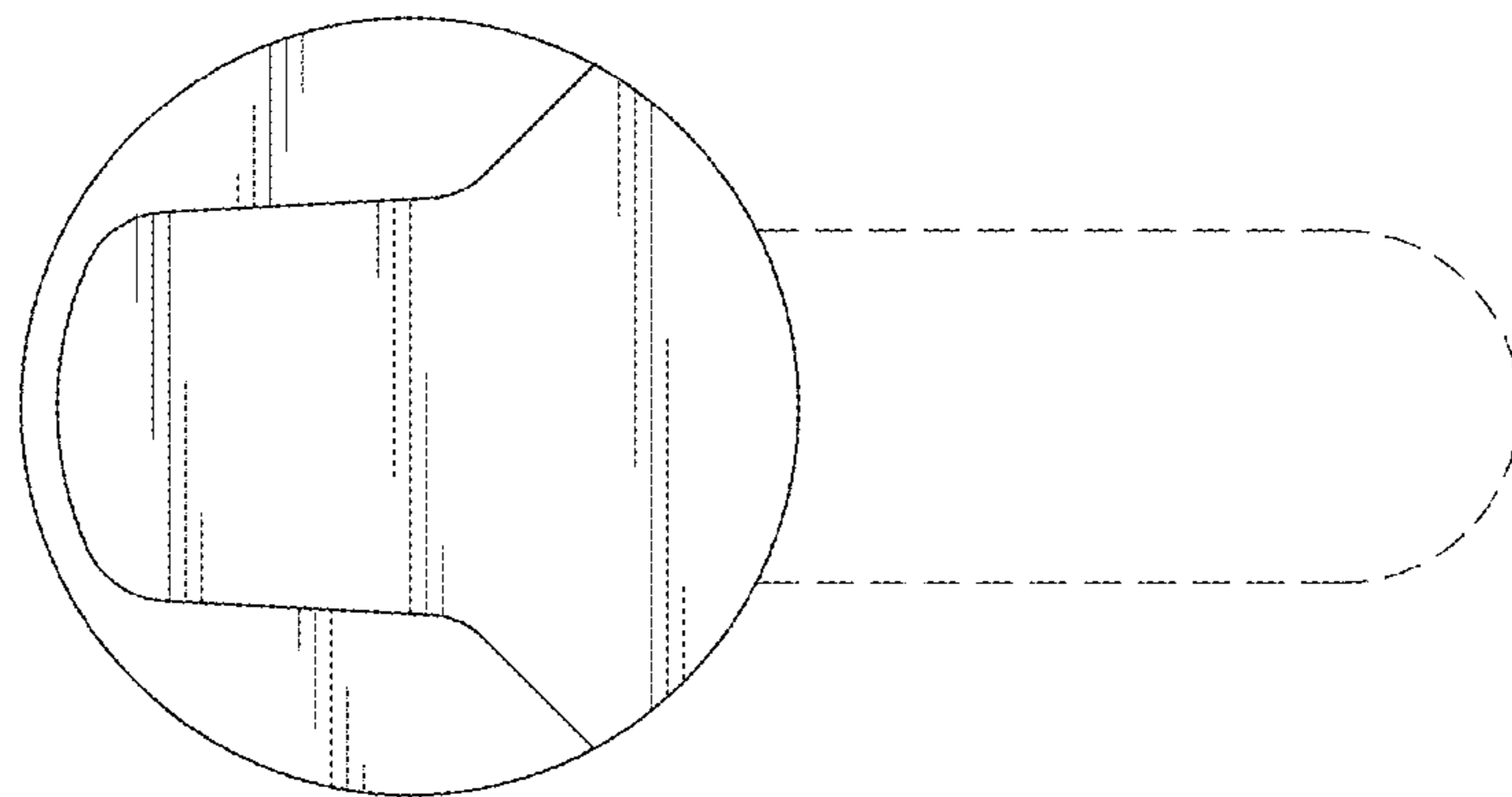


FIG. 7

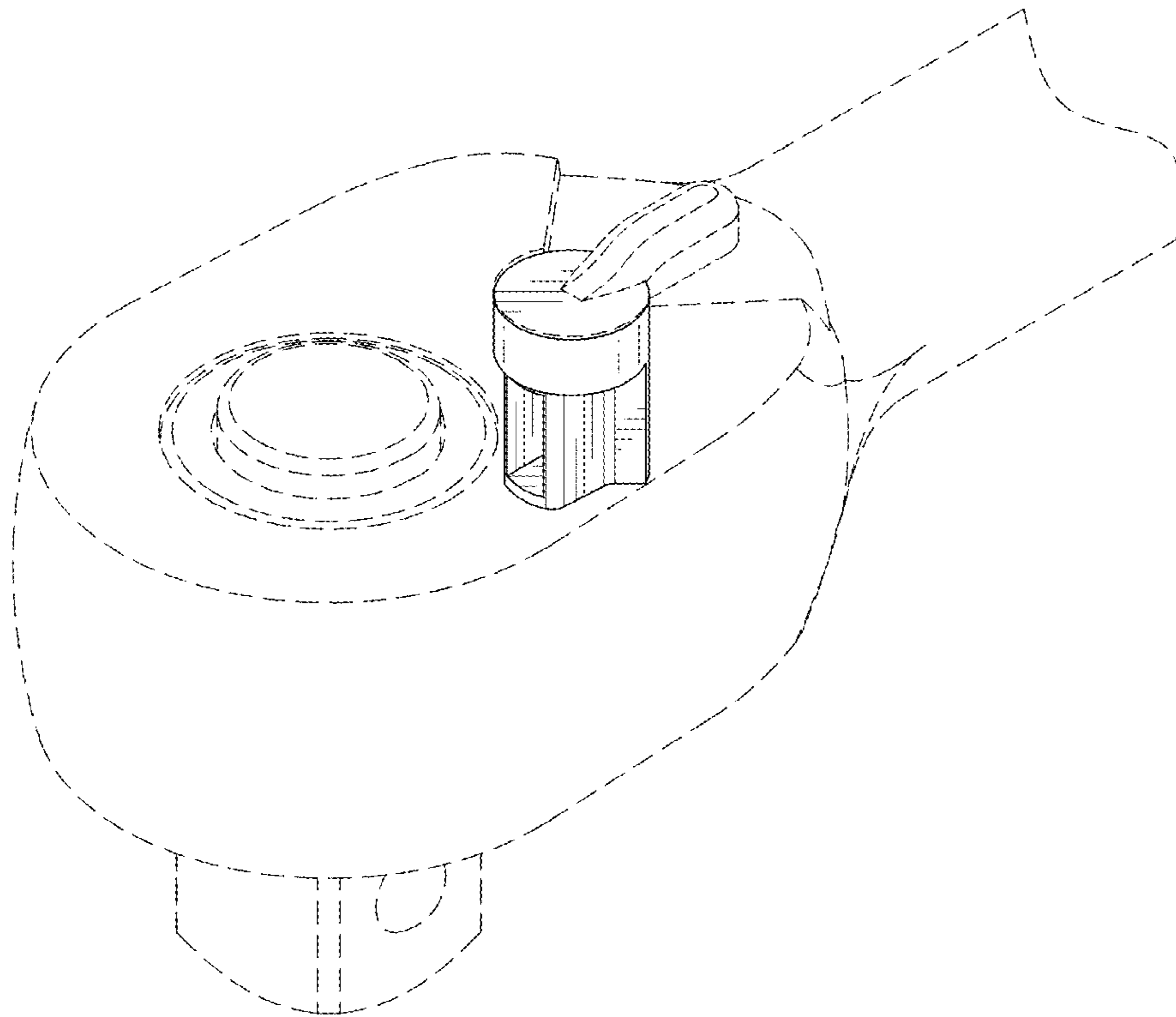


FIG. 8