



US00D775911S

(12) **United States Design Patent**
Bradley

(10) **Patent No.:** **US D775,911 S**
(45) **Date of Patent:** **** Jan. 10, 2017**

(54) **ANGLE STOP COMBINATION WRENCH
AND TOOL HANDLE**

D651,056 S * 12/2011 Robinson D8/25
D651,880 S * 1/2012 Robinson D8/25
D714,111 S * 9/2014 Robinson D8/22
D716,121 S * 10/2014 Huang D8/22
D716,622 S * 11/2014 Huang D8/22

(71) Applicant: **Theodore Bradley**, North Ridgeville,
OH (US)

(72) Inventor: **Theodore Bradley**, North Ridgeville,
OH (US)

(73) Assignee: **MAGNA INDUSTRIES, INC.**,
Cleveland, OH (US)

(**) Term: **14 Years**

(21) Appl. No.: **29/508,997**

(22) Filed: **Nov. 13, 2014**

(51) **LOC (10) Cl.** **08-05**

(52) **U.S. Cl.**
USPC **D8/22**

(58) **Field of Classification Search**
USPC D8/17, 21-29; 81/58, 58.2, 119, 124.4,
81/125.1, 186
CPC B25B 13/02; B25B 13/08; B25B 13/04;
B25B 13/065
See application file for complete search history.

(56) **References Cited**

U.S. PATENT DOCUMENTS

5,303,439 A * 4/1994 Seals B25B 13/56
59/7
D422,875 S * 4/2000 Beck D8/105
D462,245 S 9/2002 Friedman et al.
D468,987 S * 1/2003 Dreyfus D8/105
6,523,440 B2 2/2003 Friedman et al.
D618,076 S * 6/2010 Garcia D8/22
D631,310 S * 1/2011 Senyk D8/26

OTHER PUBLICATIONS

Goodyear Adjustable Wrench, Feb. 18, 2012, Amazon.com product.

* cited by examiner

Primary Examiner — Randall Gholson

(57) **CLAIM**

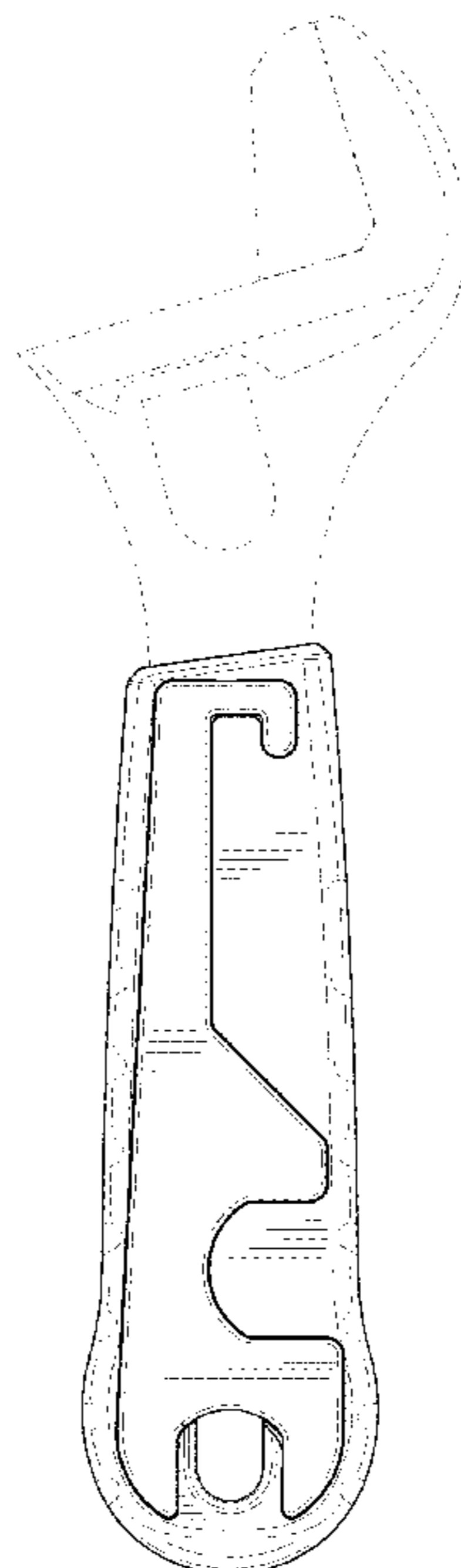
The ornamental design for an angle stop combination wrench and tool handle, as shown and described.

DESCRIPTION

FIG. 1 is a front view of an angle stop combination wrench and tool handle showing our new design; FIG. 2 is a right side exploded view thereof; FIG. 3 is a right side perspective view thereof; FIG. 4 is a rear view thereof; and FIG. 5 is a right side exploded perspective view thereof. FIG. 6 is a top view of the angle stop wrench portion of the angle stop combination wrench and tool handle shown separately for ease of illustration; FIG. 7 is a front inverted view thereof; FIG. 8 is a left side view thereof; FIG. 9 is a back view thereof; FIG. 10 is a right side view thereof; and, FIG. 11 is a bottom view thereof.

The broken lines shown in the drawings show unclaimed environment only and form no part of the claimed design. The brackets shown in FIGS. 2 and 5 form no part of the claimed design.

1 Claim, 4 Drawing Sheets



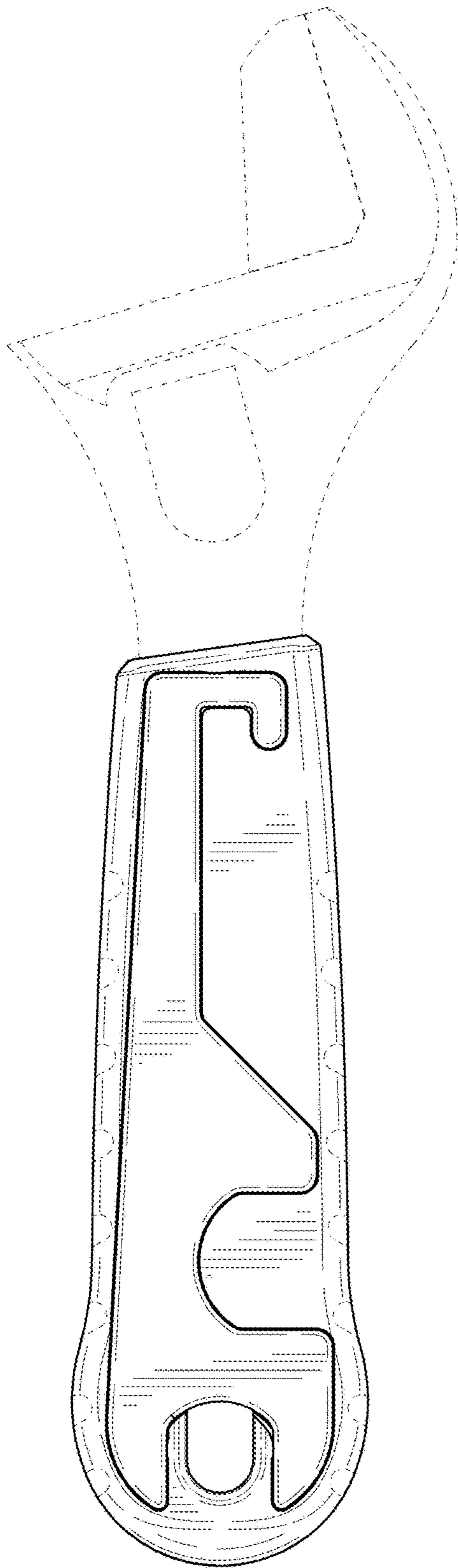


Fig. 1

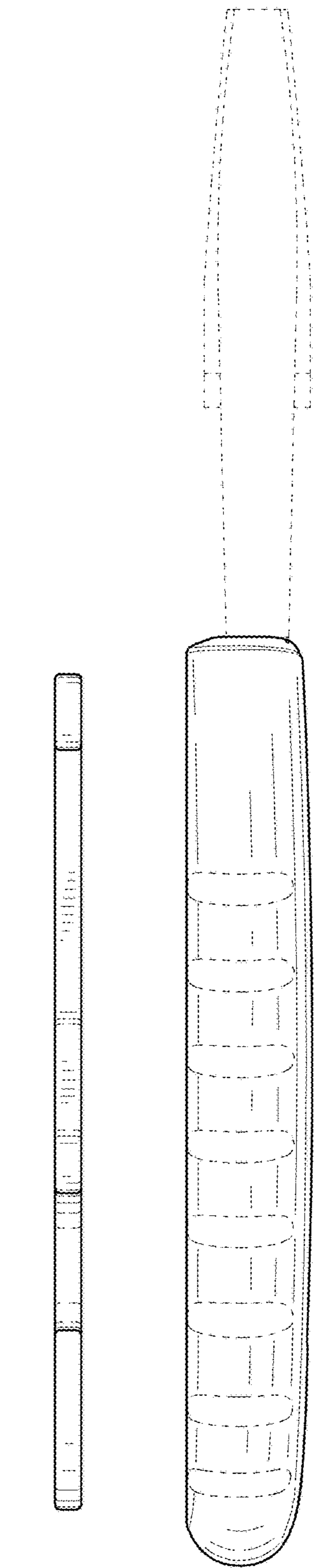


Fig. 2

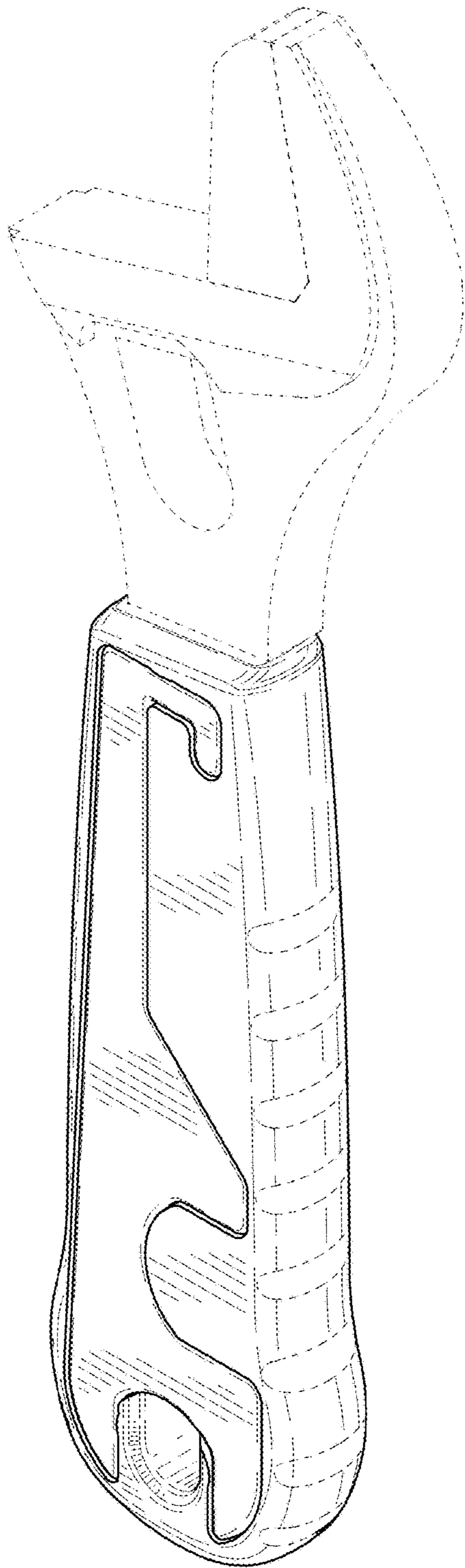


Fig. 3

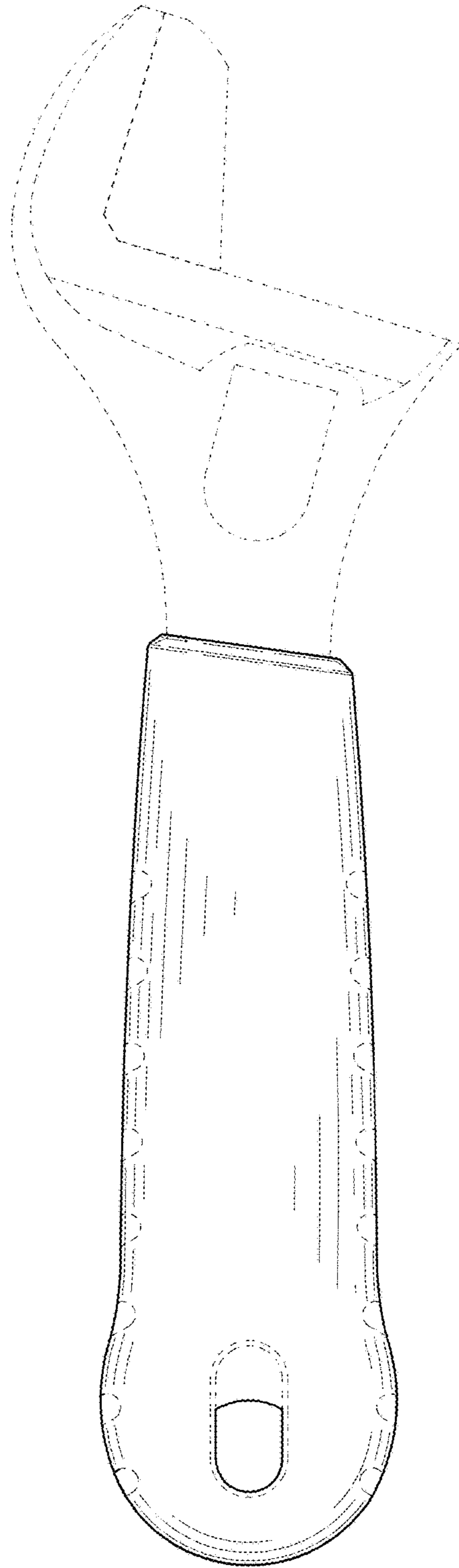
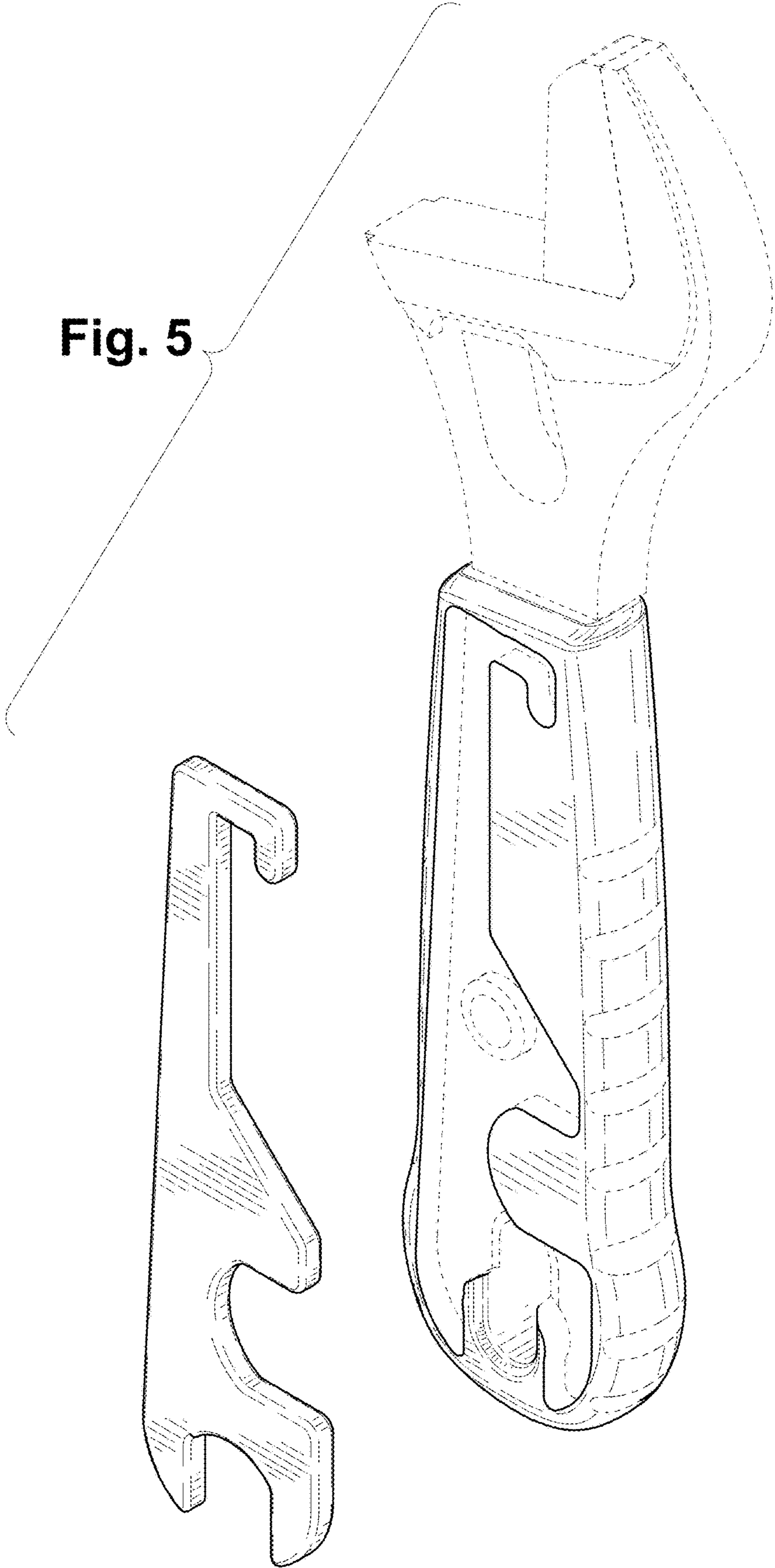


Fig. 4

Fig. 5



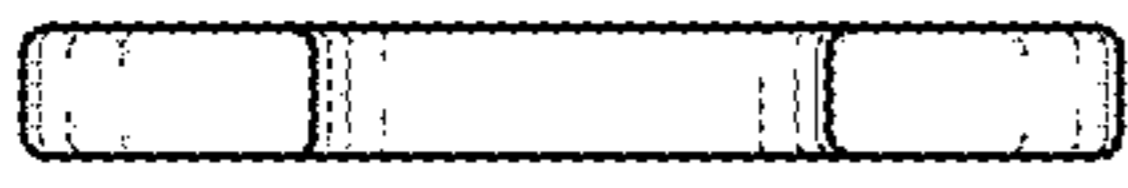


Fig. 6

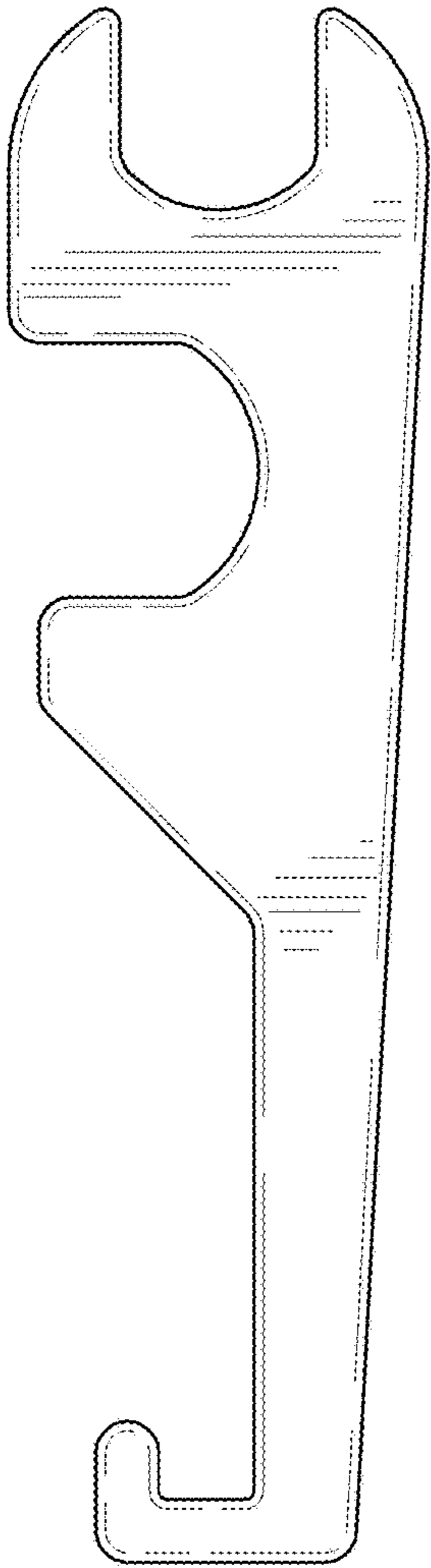


Fig. 7

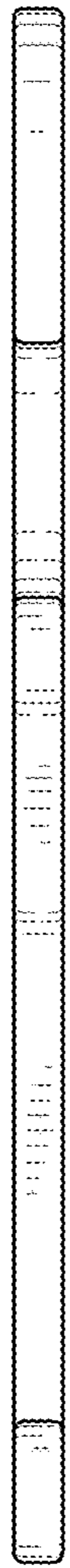


Fig. 8

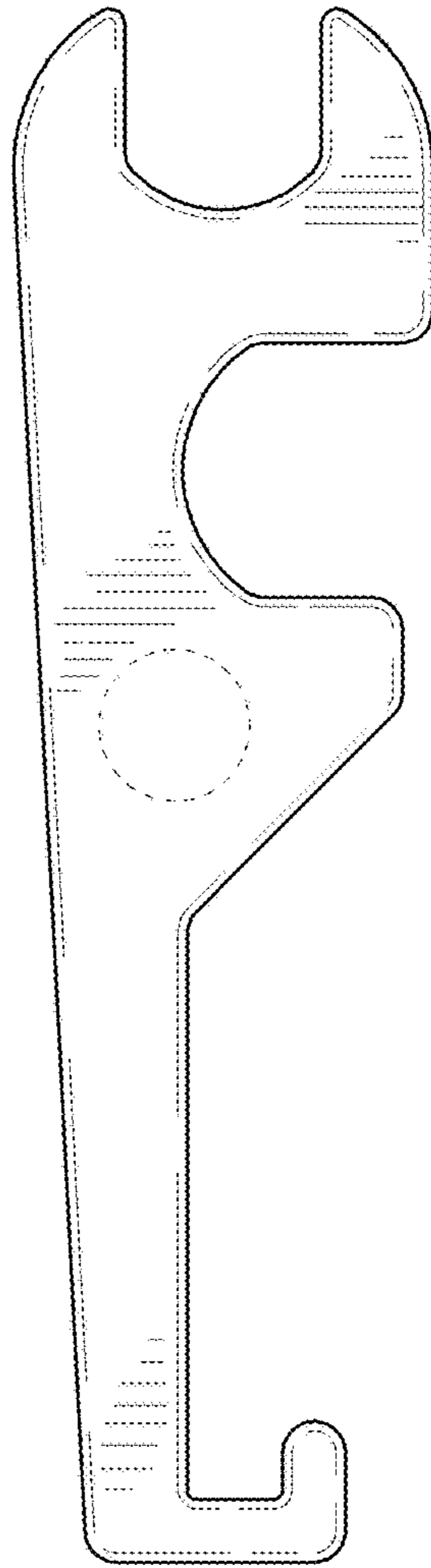


Fig. 9



Fig. 10



Fig. 11